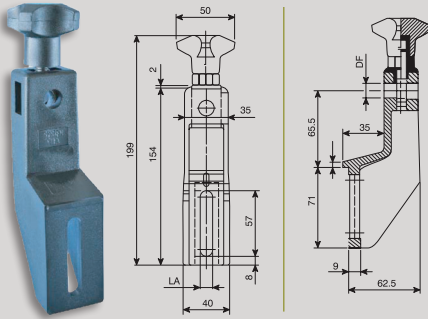




ENGINEERING PLASTICS | CONVEYOR COMPONENT & GUIDE RAIL SYSTEM SOLUTIONS

GRS 052 SERIES



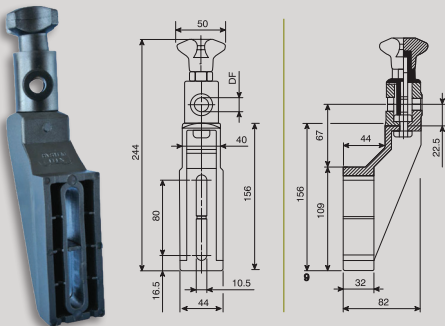
BRACKET WITH EYE-BOLT

SPECIFICATIONS

Material Reinforced Polyamide, eyebolt and washer in stainless steel AISI 304 stargrip in polyamide with nickel plate insert.
Note: Stargrip regulates rod position and head adjustability

| Guide Rail Reference | LA | DF |
|----------------------|------|------|
| GRS 052 | 10.5 | 12.5 |

GRS 061 SERIES



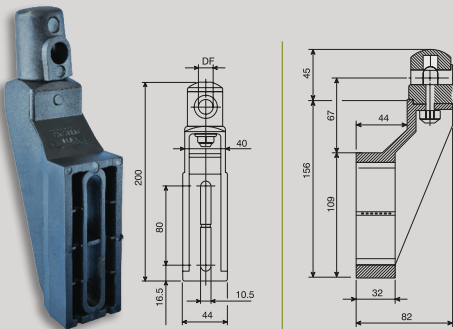
ADJUSTABLE BRACKET - STAR GRIP

SPECIFICATIONS

Material Bracket and adjustable head in polyamide, nut, screws and washer in stainless steel AISI 304. Stargrip in polyamide with nickel plate insert.
Note: Stargrip regulates rod position and head adjustability

| Guide Rail Reference | DF |
|----------------------|------|
| GRS 061 | 12.5 |

GRS 057 SERIES



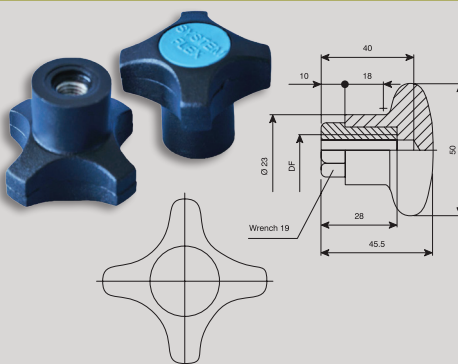
ADJUSTABLE BRACKET - DOME TOP

SPECIFICATIONS

Material Bracket and start knob in polyamide, eyebolt and washer in stainless steel AISI 304.
Note: Stargrip regulates rod position and head adjustability

| Guide Rail Reference | DF |
|----------------------|------|
| GRS 057 | 12.5 |

GRS 054 SERIES



STAR GRIPS

SPECIFICATIONS

Material Reinforced Polyamide, with nickel plated brass insert.
Note: Stargrip regulates rod position and head adjustability

| Guide Rail Reference | DF |
|----------------------|-----|
| GRS 054 | M10 |