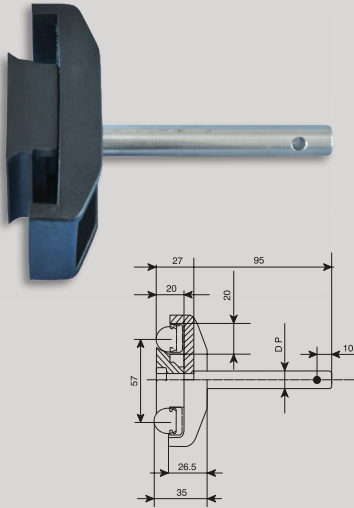




# ENGINEERING PLASTICS | CONVEYOR COMPONENT & GUIDE RAIL SYSTEM SOLUTIONS

## GRS 013 SERIES

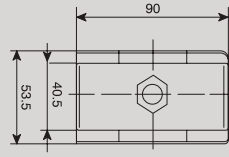
### DOUBLE CLAMP WITH ST-STEEL ROD FOR USE WITH STAINLESS STEEL BACKING STRIP



#### SPECIFICATIONS

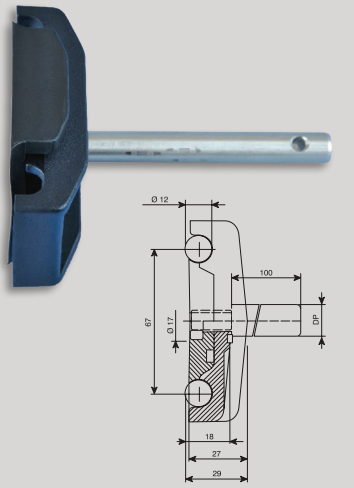
**Material** Clamp in reinforced polyamide, nut and rod in stainless steel AISI 304 to suit mushroom wear strip

Guide Rail Reference	DP
GRS 013	12



## GRS 019 SERIES

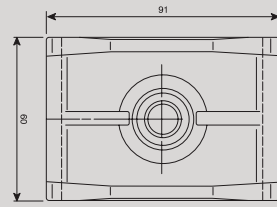
### DOUBLE CLAMP WITH ST-STEEL ROD FOR USE WITH STAINLESS STEEL ROUND BAR



#### SPECIFICATIONS

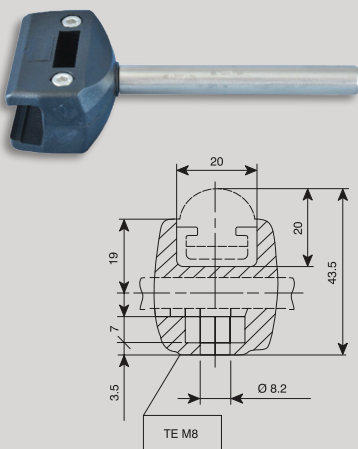
**Material** Clamp in reinforced polyamide, nut and rod in stainless steel AISI 304 to suit mushroom wear strip

Guide Rail Reference	DP
GRS 019	12



## GRS 021 SERIES

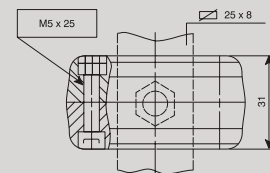
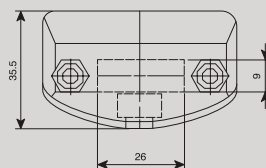
### SINGLE CLAMP WITH ST-STEEL ROD FOR USE WITH STAINLESS STEEL BACKING STRIP



#### SPECIFICATIONS

**Material** Clamp in reinforced polyamide, nut and rod in stainless steel AISI 304 to suit mushroom wear strip

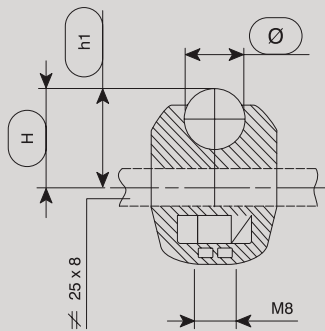
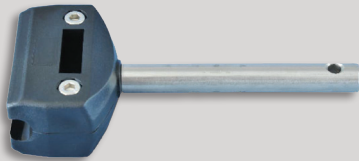
Guide Rail Reference	DP
GRS 021	12





# ENGINEERING PLASTICS | CONVEYOR COMPONENT & GUIDE RAIL SYSTEM SOLUTIONS

## GRS 022 SERIES



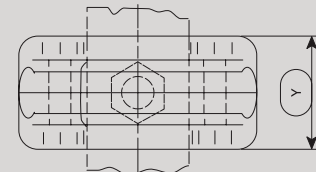
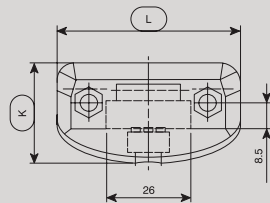
## SINGLE CLAMP WITH ST-STEEL ROD FOR USE WITH STAINLESS STEEL ROUND BAR

### SPECIFICATIONS

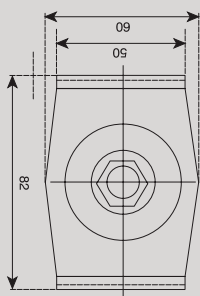
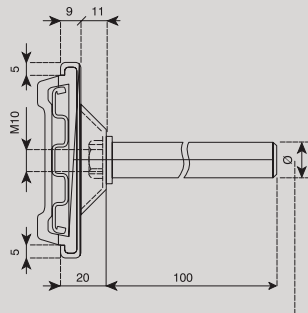
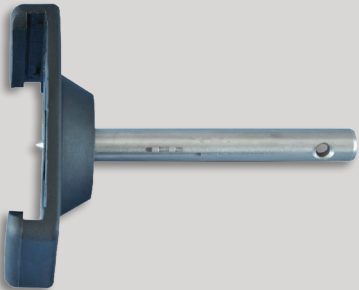
Material

Clamp in reinforced polyamide, nut and rod in stainless steel AISI 304 to suit ST-Steel round bar

Guide Rail Reference	Diam.	L	K	Y	H	h1
GRS 022/10	10	58	33	21	18.5	16
GRS 022/12	12	59	34.5	24	21	19



## GRS 064 SERIES



## SINGLE CLAMP WITH ST-STEEL ROD FOR USE WITH DOGBONE WEAR STRIP

### SPECIFICATIONS

Material

Clamp in reinforced polyamide, rod in stainless steel AISI 304 to suit dogbone wear strip

Guide Rail Reference	DF
GRS 064	12