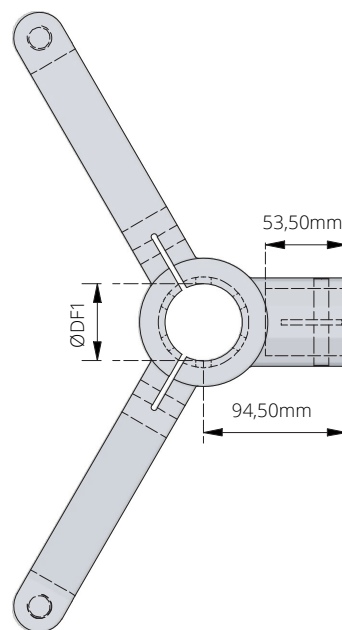
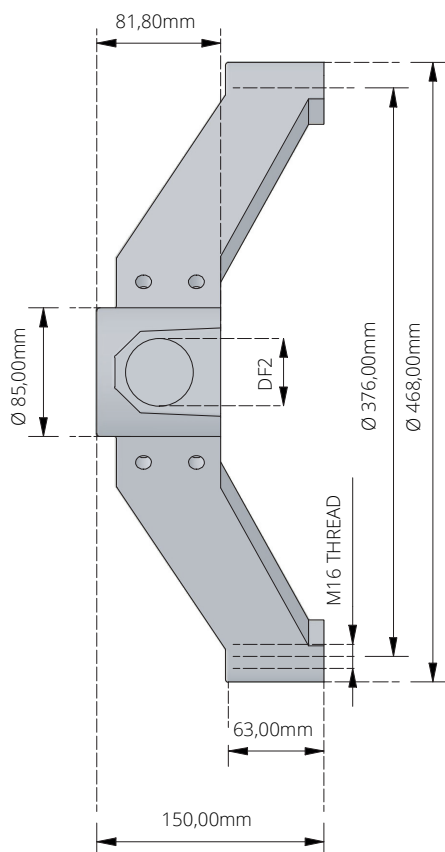
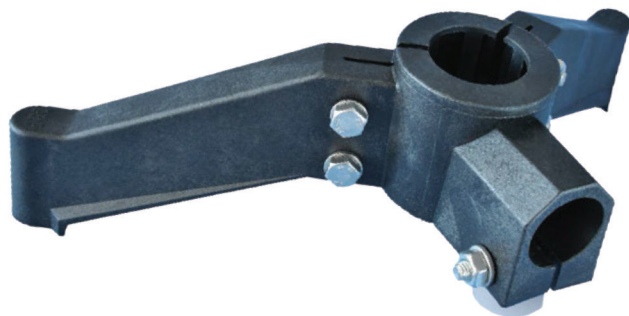


L00002 BIPOD SUPPORT BASE



BIPODS 180° WITH JOINT					
TUBE Ø - DF1					
MATERIAL	TUBE Ø - DF2	FASTENERS	48,3	50,9	60,3
			CODE THEN DESCRIPTION		
PA-FG BLACK	42,4 (1 ¼")	SS AISI 304	L00002-00001 BIPOD 48.3mm I/D - TUBE I/D 42.4mm	L00002-00002 BIPOD 50.9mm I/D - TUBE I/D 42.4mm	L00002-00003 BIPOD 60.3mm I/D - TUBE I/D 42.4mm
	48,3 (1 ½")		L00002-00004 BIPOD 48.3mm I/D - TUBE I/D 48.3mm	L00002-00005 BIPOD 50.9mm I/D - TUBE I/D 48.3mm	L00002-00006 BIPOD 60.3mm I/D - TUBE I/D 48.3mm

SS AISI 304: STAINLESS STEEL



MATERIALS



TABLE OF CONTENTS



BACK TO FRAME & STRUCTURE SUPPORT INDEX