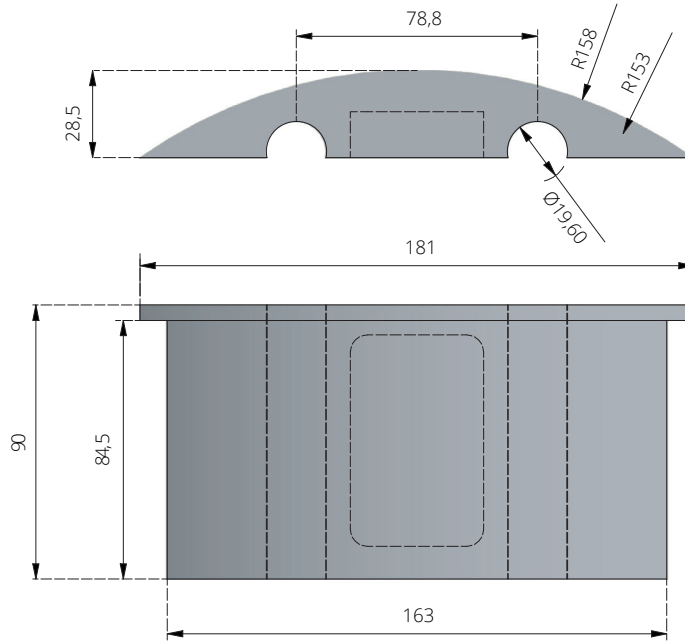
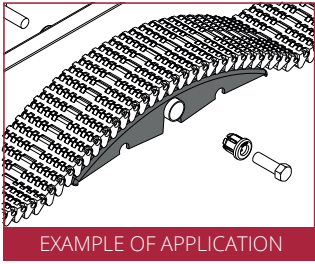
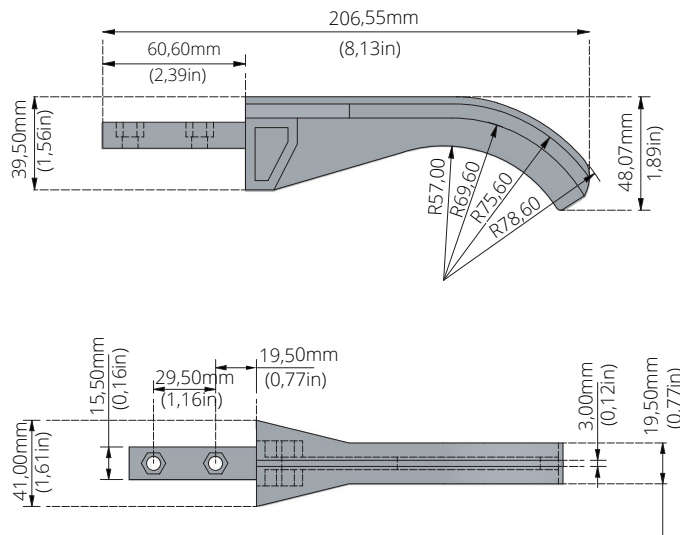


# CHAIN AND BELT RETURN SHOES



RETURN SHOE	
MATERIAL	Ø 20 CODE THEN DESCRIPTION
PA BLACK	H000012-00001 SHOE-90W-181L-R20-PAB



RETURN SHOE FINGER	
MATERIAL	Ø 20 CODE THEN DESCRIPTION
PA BLACK	H000012-00002 SHOE-41W-207L-PAB



MATERIALS



TABLE OF CONTENTS



BACK TO RETURN COMPONENTS INDEX