

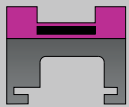
G00001

K325/K330 CORNER TRACKS / CURVES / BENDS MAGNETIC

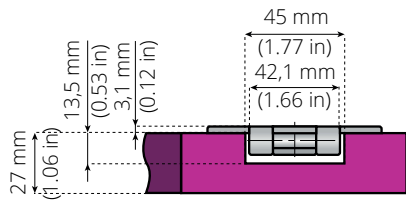
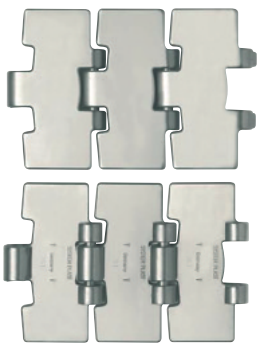
MAGNETIC



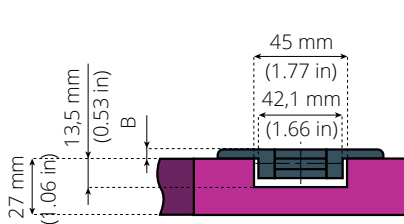
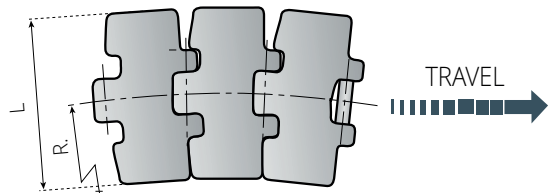
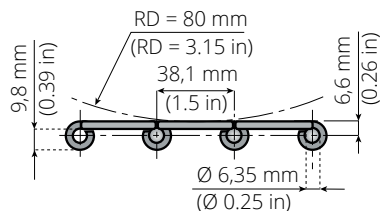
The magnetic corner track is the most effective and reliable system for the table top conveyor design.



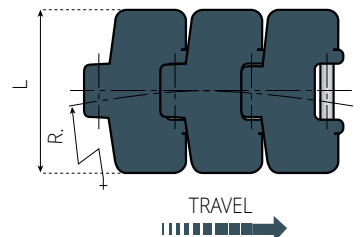
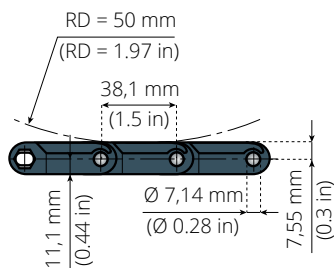
The magnets are carefully selected and positioned to provide the correct magnetic field to hold the chain on the corner track and this provides a flat carrying surface for the chain; thus, improving product stability and support for the product.

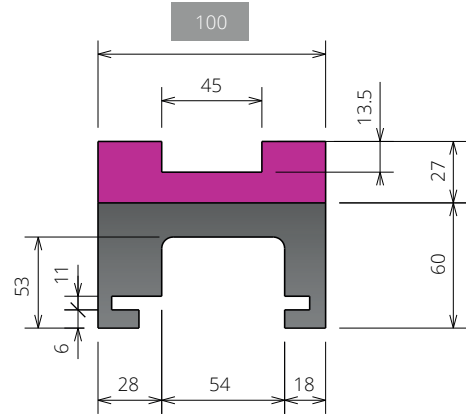
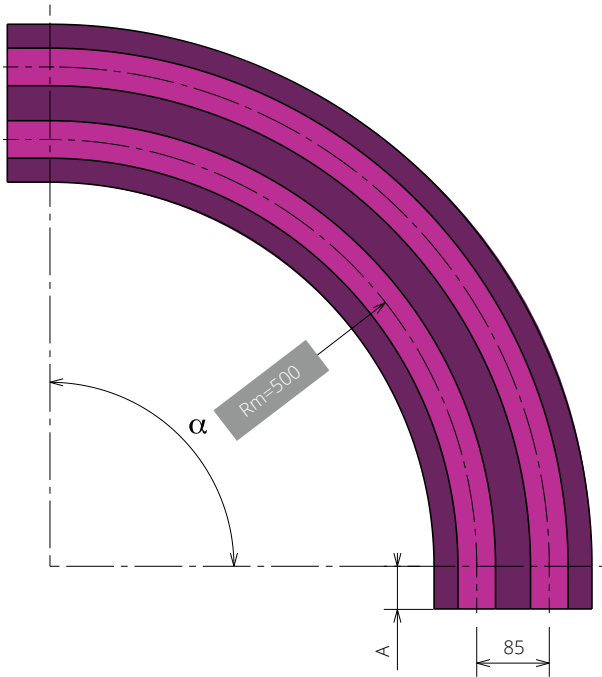


PG: A8



PG: B11





SINGLE TRACK - G00006-a6-T1-B1-Rm1-P0-L1

Rm = 500mm - SINGLE TRACK

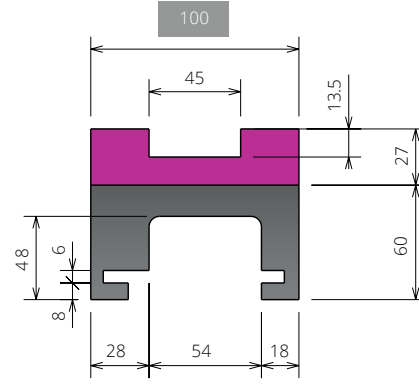
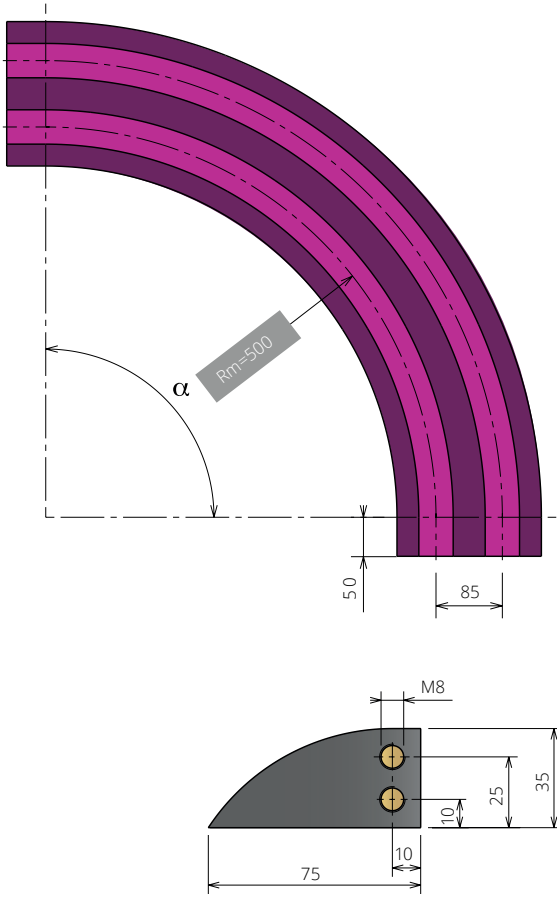
$\alpha 15^\circ$		$\alpha 30^\circ$		$\alpha 45^\circ$	
CODE	DESCRIPTION	CODE	DESCRIPTION	CODE	DESCRIPTION
G00001-a1-T1-B1-Rm1-P0-L0	15°-1T-100w-500CL-0L-MAG	G00001-a2-T1-B1-Rm1-P0-L0	30°-1T-100w-500CL-0L-MAG	G00001-a3-T1-B1-Rm1-P0-L0	45°-1T-100w-500CL-0L-MAG
G00001-a1-T1-B1-Rm1-P0-L1	15°-1T-100w-500CL-50L-MAG	G00001-a2-T1-B1-Rm1-P0-L1	30°-1T-100w-500CL-50L-MAG	G00001-a3-T1-B1-Rm1-P0-L1	45°-1T-100w-500CL-50L-MAG
G00001-a1-T1-B1-Rm1-P0-L2	15°-1T-100w-500CL-100L-MAG	G00001-a2-T1-B1-Rm1-P0-L2	30°-1T-100w-500CL-100L-MAG	G00001-a3-T1-B1-Rm1-P0-L2	45°-1T-100w-500CL-100L-MAG
G00001-a1-T1-B1-Rm1-P0-L3	15°-1T-100w-500CL-125L-MAG	G00001-a2-T1-B1-Rm1-P0-L3	30°-1T-100w-500CL-125L-MAG	G00001-a3-T1-B1-Rm1-P0-L3	45°-1T-100w-500CL-125L-MAG
$\alpha 60^\circ$		$\alpha 75^\circ$		$\alpha 90^\circ$	
CODE	DESCRIPTION	CODE	DESCRIPTION	CODE	DESCRIPTION
G00001-a4-T1-B1-Rm1-P0-L0	60°-1T-100w-500CL-0L-MAG	G00001-a5-T1-B1-Rm1-P0-L0	75°-1T-100w-500CL-0L-MAG	G00001-a6-T1-B1-Rm1-P0-L0	90°-1T-100w-500CL-0L-MAG
G00001-a4-T1-B1-Rm1-P0-L1	60°-1T-100w-500CL-50L-MAG	G00001-a5-T1-B1-Rm1-P0-L1	75°-1T-100w-500CL-50L-MAG	G00001-a6-T1-B1-Rm1-P0-L1	90°-1T-100w-500CL-50L-MAG
G00001-a4-T1-B1-Rm1-P0-L2	60°-1T-100w-500CL-100L-MAG	G00001-a5-T1-B1-Rm1-P0-L2	75°-1T-100w-500CL-100L-MAG	G00001-a6-T1-B1-Rm1-P0-L2	90°-1T-100w-500CL-100L-MAG
G00001-a4-T1-B1-Rm1-P0-L3	60°-1T-100w-500CL-125L-MAG	G00001-a5-T1-B1-Rm1-P0-L3	75°-1T-100w-500CL-125L-MAG	G00001-a6-T1-B1-Rm1-P0-L3	90°-1T-100w-500CL-125L-MAG

NON STANDARD SIZES ARE AVAILABLE ON REQUEST.
 STANDARD ORDER QTY: PER SET

G00001

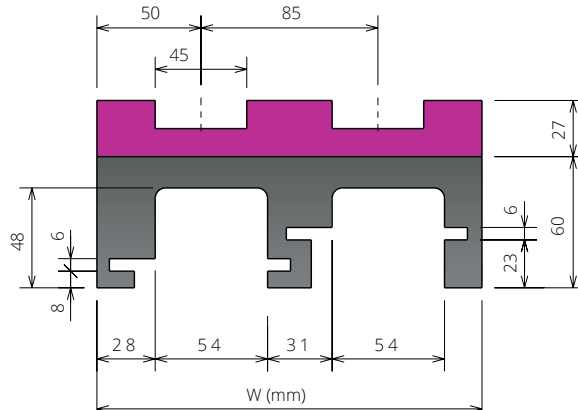
879M-K325 - 880M-K325 - 880M-K330 - 881M-K325 - 881M-K330 SERIES

MAGNETIC CURVES/BENDS - 500mm CENTERLINE - 100mm WIDE - 85mm PITCH - 50mm LEAD IN AND LEAD OUT



SINGLE TRACK - G00001-α6-T1-B1-Rm1-P0-L1

TRACKS	W
1	100
2	185
3	270
4	355
5	440
6	525
7	610
8	695



MULTI TRACK - G00001-α6-T2-B1-Rm1-P1-L1

Rm = 500mm - MULTI TRACK - 50mm LEAD IN / LEAD OUT

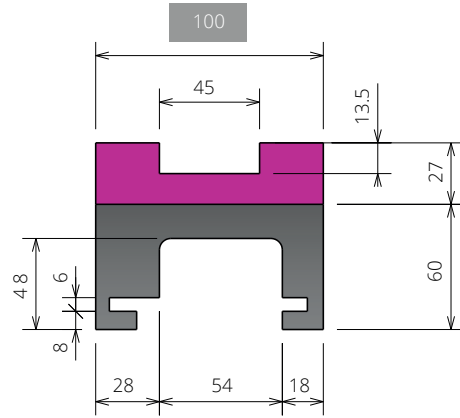
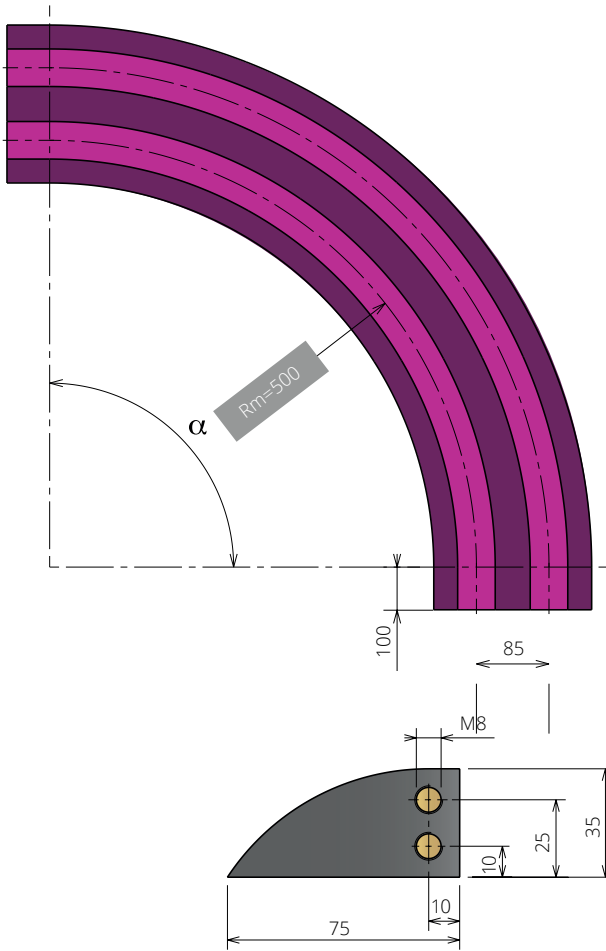
α 15°		α 30°		α 45°	
CODE	DESCRIPTION	CODE	DESCRIPTION	CODE	DESCRIPTION
G00001-a1-T1-B1-Rm1-P0-L1	15°-1T-100w-500CL-50L-MAG	G00001-a2-T1-B1-Rm1-P0-L1	30°-1T-100w-500CL-50L-MAG	G00001-a3-T1-B1-Rm1-P0-L1	45°-1T-100w-500CL-50L-MAG
G00001-a1-T2-B1-Rm1-P1-L1	15°-2T-100w-500CL-P85-50L-MAG	G00001-a2-T2-B1-Rm1-P1-L1	30°-2T-100w-500CL-P85-50L-MAG	G00001-a3-T2-B1-Rm1-P1-L1	45°-2T-100w-500CL-P85-50L-MAG
G00001-a1-T3-B1-Rm1-P1-L1	15°-3T-100w-500CL-P85-50L-MAG	G00001-a2-T3-B1-Rm1-P1-L1	30°-3T-100w-500CL-P85-50L-MAG	G00001-a3-T3-B1-Rm1-P1-L1	45°-3T-100w-500CL-P85-50L-MAG
G00001-a1-T4-B1-Rm1-P1-L1	15°-4T-100w-500CL-P85-50L-MAG	G00001-a2-T4-B1-Rm1-P1-L1	30°-4T-100w-500CL-P85-50L-MAG	G00001-a3-T4-B1-Rm1-P1-L1	45°-4T-100w-500CL-P85-50L-MAG
G00001-a1-T5-B1-Rm1-P1-L1	15°-5T-100w-500CL-P85-50L-MAG	G00001-a2-T5-B1-Rm1-P1-L1	30°-5T-100w-500CL-P85-50L-MAG	G00001-a3-T5-B1-Rm1-P1-L1	45°-5T-100w-500CL-P85-50L-MAG
G00001-a1-T6-B1-Rm1-P1-L1	15°-6T-100w-500CL-P85-50L-MAG	G00001-a2-T6-B1-Rm1-P1-L1	30°-6T-100w-500CL-P85-50L-MAG	G00001-a3-T6-B1-Rm1-P1-L1	45°-6T-100w-500CL-P85-50L-MAG
G00001-a1-T7-B1-Rm1-P1-L1	15°-7T-100w-500CL-P85-50L-MAG	G00001-a2-T7-B1-Rm1-P1-L1	30°-7T-100w-500CL-P85-50L-MAG	G00001-a3-T7-B1-Rm1-P1-L1	45°-7T-100w-500CL-P85-50L-MAG
G00001-a1-T8-B1-Rm1-P1-L1	15°-8T-100w-500CL-P85-50L-MAG	G00001-a2-T8-B1-Rm1-P1-L1	30°-8T-100w-500CL-P85-50L-MAG	G00001-a3-T8-B1-Rm1-P1-L1	45°-8T-100w-500CL-P85-50L-MAG
α 60°		α 75°		α 90°	
CODE	DESCRIPTION	CODE	DESCRIPTION	CODE	DESCRIPTION
G00001-a4-T1-B1-Rm1-P0-L1	60°-1T-100w-500CL-50L-MAG	G00001-a5-T1-B1-Rm1-P0-L1	75°-1T-100w-500CL-50L-MAG	G00001-a6-T1-B1-Rm1-P0-L1	90°-1T-100w-500CL-50L-MAG
G00001-a4-T2-B1-Rm1-P1-L1	60°-2T-100w-500CL-P85-50L-MAG	G00001-a5-T2-B1-Rm1-P1-L1	75°-2T-100w-500CL-P85-50L-MAG	G00001-a6-T2-B1-Rm1-P1-L1	90°-2T-100w-500CL-P85-50L-MAG
G00001-a4-T3-B1-Rm1-P1-L1	60°-3T-100w-500CL-P85-50L-MAG	G00001-a5-T3-B1-Rm1-P1-L1	75°-3T-100w-500CL-P85-50L-MAG	G00001-a6-T3-B1-Rm1-P1-L1	90°-3T-100w-500CL-P85-50L-MAG
G00001-a4-T4-B1-Rm1-P1-L1	60°-4T-100w-500CL-P85-50L-MAG	G00001-a5-T4-B1-Rm1-P1-L1	75°-4T-100w-500CL-P85-50L-MAG	G00001-a6-T4-B1-Rm1-P1-L1	90°-4T-100w-500CL-P85-50L-MAG
G00001-a4-T5-B1-Rm1-P1-L1	60°-5T-100w-500CL-P85-50L-MAG	G00001-a5-T5-B1-Rm1-P1-L1	75°-5T-100w-500CL-P85-50L-MAG	G00001-a6-T5-B1-Rm1-P1-L1	90°-5T-100w-500CL-P85-50L-MAG
G00001-a4-T6-B1-Rm1-P1-L1	60°-6T-100w-500CL-P85-50L-MAG	G00001-a5-T6-B1-Rm1-P1-L1	75°-6T-100w-500CL-P85-50L-MAG	G00001-a6-T6-B1-Rm1-P1-L1	90°-6T-100w-500CL-P85-50L-MAG
G00001-a4-T7-B1-Rm1-P1-L1	60°-7T-100w-500CL-P85-50L-MAG	G00001-a5-T7-B1-Rm1-P1-L1	75°-7T-100w-500CL-P85-50L-MAG	G00001-a6-T7-B1-Rm1-P1-L1	90°-7T-100w-500CL-P85-50L-MAG
G00001-a4-T8-B1-Rm1-P1-L1	60°-8T-100w-500CL-P85-50L-MAG	G00001-a5-T8-B1-Rm1-P1-L1	75°-8T-100w-500CL-P85-50L-MAG	G00001-a6-T8-B1-Rm1-P1-L1	90°-8T-100w-500CL-P85-50L-MAG

NON STANDARD SIZES ARE AVAILABLE ON REQUEST.
STANDARD ORDER QTY: PER SET

G00001

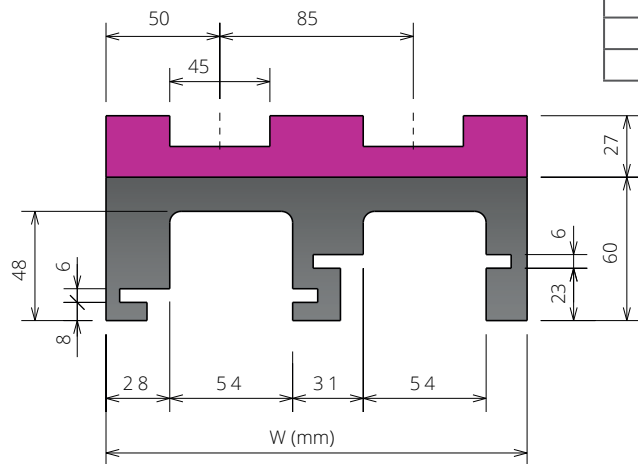
879M-K325 - 880M-K325 - 880M-K330 881M-K325
- 881M-K330 SERIES

MAGNETIC CURVES/BENDS -
500mm CENTERLINE - 100mm WIDE - 85mm
PITCH - 100mm LEAD IN AND LEAD OUT



SINGLE TRACK - G00001-a6-T1-B1-Rm1-P0-L2

TRACKS	W
1	100
2	185
3	270
4	355
5	440
6	525
7	610
8	695



MULTI TRACK - G00001-a6-T2-B1-Rm1-P1-L2

Rm = 500mm - MULTI TRACK - 100mm LEAD IN / LEAD OUT

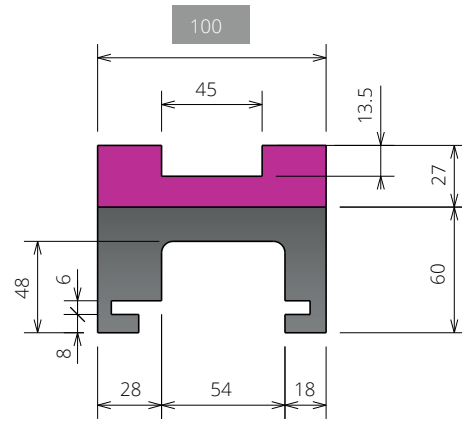
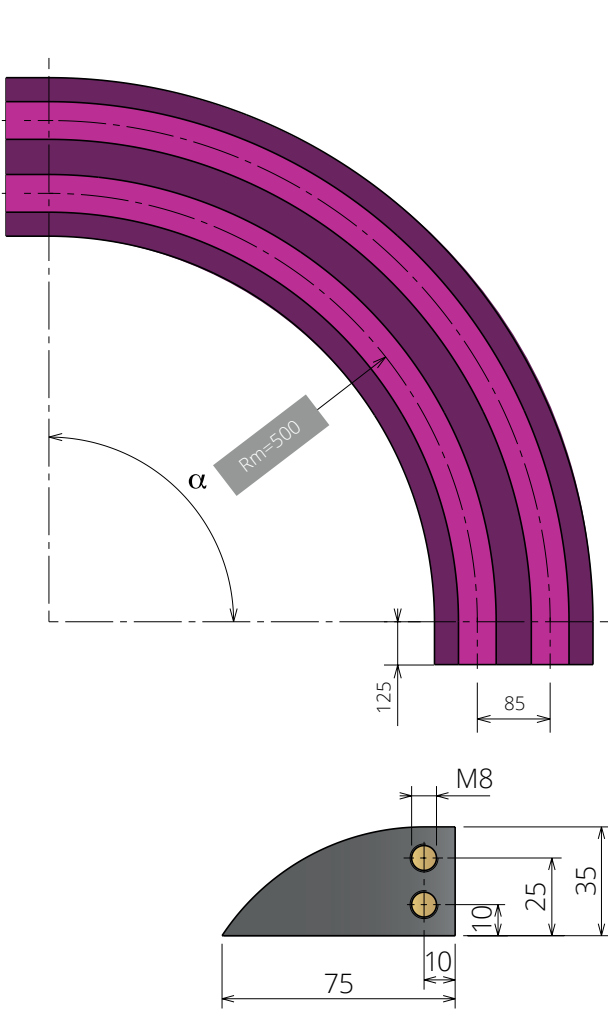
α 15°		α 30°		α 45°	
CODE	DESCRIPTION	CODE	DESCRIPTION	CODE	DESCRIPTION
G00001-a1-T1-B1-Rm1-P0-L2	15°-1T-100w-500CL-100L-MAG	G00001-a2-T1-B1-Rm1-P0-L2	30°-1T-100w-500CL-100L-MAG	G00001-a3-T1-B1-Rm1-P0-L2	45°-1T-100w-500CL-100L-MAG
G00001-a1-T2-B1-Rm1-P1-L2	15°-2T-100w-500CL-P85-100L-MAG	G00001-a2-T2-B1-Rm1-P1-L2	30°-2T-100w-500CL-P85-100L-MAG	G00001-a3-T2-B1-Rm1-P1-L2	45°-2T-100w-500CL-P85-100L-MAG
G00001-a1-T3-B1-Rm1-P1-L2	15°-3T-100w-500CL-P85-100L-MAG	G00001-a2-T3-B1-Rm1-P1-L2	30°-3T-100w-500CL-P85-100L-MAG	G00001-a3-T3-B1-Rm1-P1-L2	45°-3T-100w-500CL-P85-100L-MAG
G00001-a1-T4-B1-Rm1-P1-L2	15°-4T-100w-500CL-P85-100L-MAG	G00001-a2-T4-B1-Rm1-P1-L2	30°-4T-100w-500CL-P85-100L-MAG	G00001-a3-T4-B1-Rm1-P1-L2	45°-4T-100w-500CL-P85-100L-MAG
G00001-a1-T5-B1-Rm1-P1-L2	15°-5T-100w-500CL-P85-100L-MAG	G00001-a2-T5-B1-Rm1-P1-L2	30°-5T-100w-500CL-P85-100L-MAG	G00001-a3-T5-B1-Rm1-P1-L2	45°-5T-100w-500CL-P85-100L-MAG
G00001-a1-T6-B1-Rm1-P1-L2	15°-6T-100w-500CL-P85-100L-MAG	G00001-a2-T6-B1-Rm1-P1-L2	30°-6T-100w-500CL-P85-100L-MAG	G00001-a3-T6-B1-Rm1-P1-L2	45°-6T-100w-500CL-P85-100L-MAG
G00001-a1-T7-B1-Rm1-P1-L2	15°-7T-100w-500CL-P85-100L-MAG	G00001-a2-T7-B1-Rm1-P1-L2	30°-7T-100w-500CL-P85-100L-MAG	G00001-a3-T7-B1-Rm1-P1-L2	45°-7T-100w-500CL-P85-100L-MAG
G00001-a1-T8-B1-Rm1-P1-L2	15°-8T-100w-500CL-P85-100L-MAG	G00001-a2-T8-B1-Rm1-P1-L2	30°-8T-100w-500CL-P85-100L-MAG	G00001-a3-T8-B1-Rm1-P1-L2	45°-8T-100w-500CL-P85-100L-MAG
α 60°		α 75°		α 90°	
CODE	DESCRIPTION	CODE	DESCRIPTION	CODE	DESCRIPTION
G00001-a4-T1-B1-Rm1-P0-L2	60°-1T-100w-500CL-100L-MAG	G00001-a5-T1-B1-Rm1-P0-L2	75°-1T-100w-500CL-100L-MAG	G00001-a6-T1-B1-Rm1-P0-L2	90°-1T-100w-500CL-100L-MAG
G00001-a4-T2-B1-Rm1-P1-L2	60°-2T-100w-500CL-P85-100L-MAG	G00001-a5-T2-B1-Rm1-P1-L2	75°-2T-100w-500CL-P85-100L-MAG	G00001-a6-T2-B1-Rm1-P1-L2	90°-2T-100w-500CL-P85-100L-MAG
G00001-a4-T3-B1-Rm1-P1-L2	60°-3T-100w-500CL-P85-100L-MAG	G00001-a5-T3-B1-Rm1-P1-L2	75°-3T-100w-500CL-P85-100L-MAG	G00001-a6-T3-B1-Rm1-P1-L2	90°-3T-100w-500CL-P85-100L-MAG
G00001-a4-T4-B1-Rm1-P1-L2	60°-4T-100w-500CL-P85-100L-MAG	G00001-a5-T4-B1-Rm1-P1-L2	75°-4T-100w-500CL-P85-100L-MAG	G00001-a6-T4-B1-Rm1-P1-L2	90°-4T-100w-500CL-P85-100L-MAG
G00001-a4-T5-B1-Rm1-P1-L2	60°-5T-100w-500CL-P85-100L-MAG	G00001-a5-T5-B1-Rm1-P1-L2	75°-5T-100w-500CL-P85-100L-MAG	G00001-a6-T5-B1-Rm1-P1-L2	90°-5T-100w-500CL-P85-100L-MAG
G00001-a4-T6-B1-Rm1-P1-L2	60°-6T-100w-500CL-P85-100L-MAG	G00001-a5-T6-B1-Rm1-P1-L2	75°-6T-100w-500CL-P85-100L-MAG	G00001-a6-T6-B1-Rm1-P1-L2	90°-6T-100w-500CL-P85-100L-MAG
G00001-a4-T7-B1-Rm1-P1-L2	60°-7T-100w-500CL-P85-100L-MAG	G00001-a5-T7-B1-Rm1-P1-L2	75°-7T-100w-500CL-P85-100L-MAG	G00001-a6-T7-B1-Rm1-P1-L2	90°-7T-100w-500CL-P85-100L-MAG
G00001-a4-T8-B1-Rm1-P1-L2	60°-8T-100w-500CL-P85-100L-MAG	G00001-a5-T8-B1-Rm1-P1-L2	75°-8T-100w-500CL-P85-100L-MAG	G00001-a6-T8-B1-Rm1-P1-L2	90°-8T-100w-500CL-P85-100L-MAG

NON STANDARD SIZES ARE AVAILABLE ON REQUEST.
STANDARD ORDER QTY: PER SET

G00001

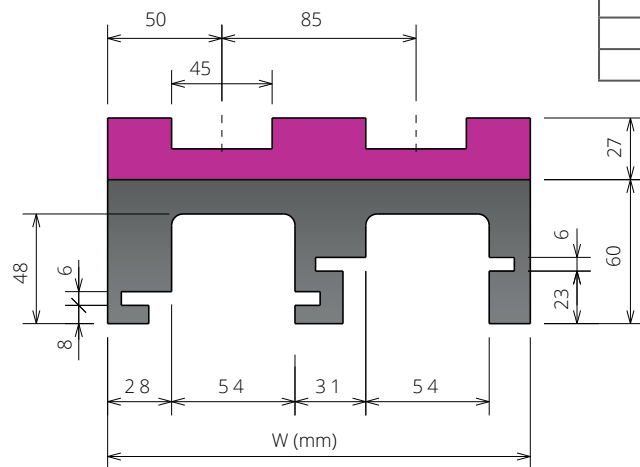
879M-K325 - 880M-K325 - 880M-K330 881M-K325
- 881M-K330 SERIES

MAGNETIC CURVES/BENDS -
500mm CENTERLINE - 100mm WIDE - 85mm
PITCH - 125mm LEAD IN AND LEAD OUT



SINGLE TRACK - G00001-α6-T1-B1-Rm1-P0-L3

TRACKS	W
1	100
2	185
3	270
4	355
5	440
6	525
7	610
8	695



MULTI TRACK - G00001-α6-T2-B1-Rm1-P1-L3

Rm = 500mm - MULTI TRACK - 125mm LEAD IN / LEAD OUT

α 15°		α 30°		α 45°	
CODE	DESCRIPTION	CODE	DESCRIPTION	CODE	DESCRIPTION
G00001-a1-T1-B1-Rm1-P0-L3	15°-1T-100w-500CL-125L-MAG	G00001-a2-T1-B1-Rm1-P0-L3	30°-1T-100w-500CL-125L-MAG	G00001-a3-T1-B1-Rm1-P0-L3	45°-1T-100w-500CL-125L-MAG
G00001-a1-T2-B1-Rm1-P1-L3	15°-2T-100w-500CL-P85-125L-MAG	G00001-a2-T2-B1-Rm1-P1-L3	30°-2T-100w-500CL-P85-125L-MAG	G00001-a3-T2-B1-Rm1-P1-L3	45°-2T-100w-500CL-P85-125L-MAG
G00001-a1-T3-B1-Rm1-P1-L3	15°-3T-100w-500CL-P85-125L-MAG	G00001-a2-T3-B1-Rm1-P1-L3	30°-3T-100w-500CL-P85-125L-MAG	G00001-a3-T3-B1-Rm1-P1-L3	45°-3T-100w-500CL-P85-125L-MAG
G00001-a1-T4-B1-Rm1-P1-L3	15°-4T-100w-500CL-P85-125L-MAG	G00001-a2-T4-B1-Rm1-P1-L3	30°-4T-100w-500CL-P85-125L-MAG	G00001-a3-T4-B1-Rm1-P1-L3	45°-4T-100w-500CL-P85-125L-MAG
G00001-a1-T5-B1-Rm1-P1-L3	15°-5T-100w-500CL-P85-125L-MAG	G00001-a2-T5-B1-Rm1-P1-L3	30°-5T-100w-500CL-P85-125L-MAG	G00001-a3-T5-B1-Rm1-P1-L3	45°-5T-100w-500CL-P85-125L-MAG
G00001-a1-T6-B1-Rm1-P1-L3	15°-6T-100w-500CL-P85-125L-MAG	G00001-a2-T6-B1-Rm1-P1-L3	30°-6T-100w-500CL-P85-125L-MAG	G00001-a3-T6-B1-Rm1-P1-L3	45°-6T-100w-500CL-P85-125L-MAG
G00001-a1-T7-B1-Rm1-P1-L3	15°-7T-100w-500CL-P85-125L-MAG	G00001-a2-T7-B1-Rm1-P1-L3	30°-7T-100w-500CL-P85-125L-MAG	G00001-a3-T7-B1-Rm1-P1-L3	45°-7T-100w-500CL-P85-125L-MAG
G00001-a1-T8-B1-Rm1-P1-L3	15°-8T-100w-500CL-P85-125L-MAG	G00001-a2-T8-B1-Rm1-P1-L3	30°-8T-100w-500CL-P85-125L-MAG	G00001-a3-T8-B1-Rm1-P1-L3	45°-8T-100w-500CL-P85-125L-MAG
α 60°		α 75°		α 90°	
CODE	DESCRIPTION	CODE	DESCRIPTION	CODE	DESCRIPTION
G00001-a4-T1-B1-Rm1-P0-L3	60°-1T-100w-500CL-125L-MAG	G00001-a5-T1-B1-Rm1-P0-L3	75°-1T-100w-500CL-125L-MAG	G00001-a6-T1-B1-Rm1-P0-L3	90°-1T-100w-500CL-125L-MAG
G00001-a4-T2-B1-Rm1-P1-L3	60°-2T-100w-500CL-P85-125L-MAG	G00001-a5-T2-B1-Rm1-P1-L3	75°-2T-100w-500CL-P85-125L-MAG	G00001-a6-T2-B1-Rm1-P1-L3	90°-2T-100w-500CL-P85-125L-MAG
G00001-a4-T3-B1-Rm1-P1-L3	60°-3T-100w-500CL-P85-125L-MAG	G00001-a5-T3-B1-Rm1-P1-L3	75°-3T-100w-500CL-P85-125L-MAG	G00001-a6-T3-B1-Rm1-P1-L3	90°-3T-100w-500CL-P85-125L-MAG
G00001-a4-T4-B1-Rm1-P1-L3	60°-4T-100w-500CL-P85-125L-MAG	G00001-a5-T4-B1-Rm1-P1-L3	75°-4T-100w-500CL-P85-125L-MAG	G00001-a6-T4-B1-Rm1-P1-L3	90°-4T-100w-500CL-P85-125L-MAG
G00001-a4-T5-B1-Rm1-P1-L3	60°-5T-100w-500CL-P85-125L-MAG	G00001-a5-T5-B1-Rm1-P1-L3	75°-5T-100w-500CL-P85-125L-MAG	G00001-a6-T5-B1-Rm1-P1-L3	90°-5T-100w-500CL-P85-125L-MAG
G00001-a4-T6-B1-Rm1-P1-L3	60°-6T-100w-500CL-P85-125L-MAG	G00001-a5-T6-B1-Rm1-P1-L3	75°-6T-100w-500CL-P85-125L-MAG	G00001-a6-T6-B1-Rm1-P1-L3	90°-6T-100w-500CL-P85-125L-MAG
G00001-a4-T7-B1-Rm1-P1-L3	60°-7T-100w-500CL-P85-125L-MAG	G00001-a5-T7-B1-Rm1-P1-L3	75°-7T-100w-500CL-P85-125L-MAG	G00001-a6-T7-B1-Rm1-P1-L3	90°-7T-100w-500CL-P85-125L-MAG
G00001-a4-T8-B1-Rm1-P1-L3	60°-8T-100w-500CL-P85-125L-MAG	G00001-a5-T8-B1-Rm1-P1-L3	75°-8T-100w-500CL-P85-125L-MAG	G00001-a6-T8-B1-Rm1-P1-L3	90°-8T-100w-500CL-P85-125L-MAG

NON STANDARD SIZES ARE AVAILABLE ON REQUEST.
STANDARD ORDER QTY: PER SET



CHAINS/BELTS
PG. A8 & PG. B11



MATERIALS



TABLE OF
CONTENTS



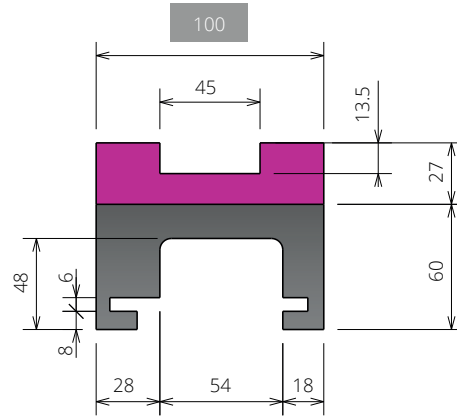
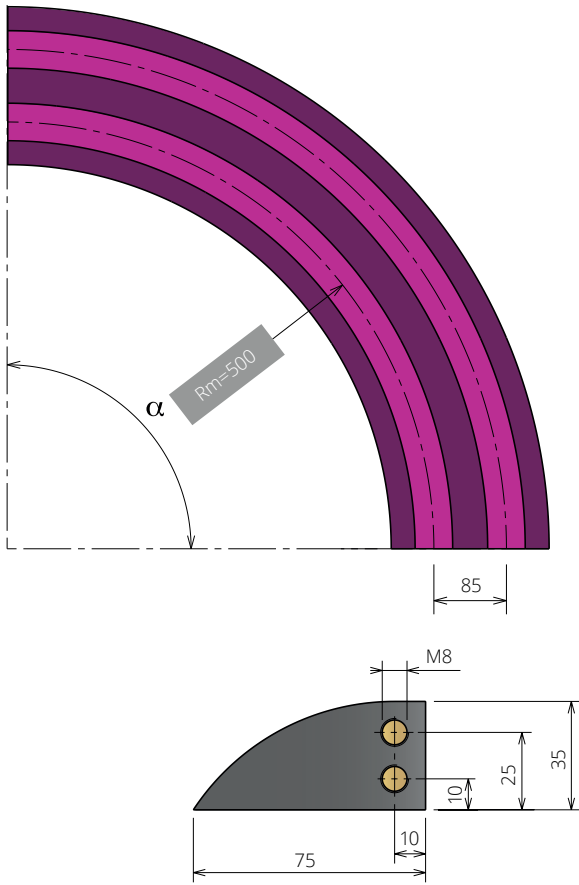
BACK TO CORNER TRACKS/
CURVES/BENDS INDEX (G)

WWW.IRP.CO.ZA

G00001

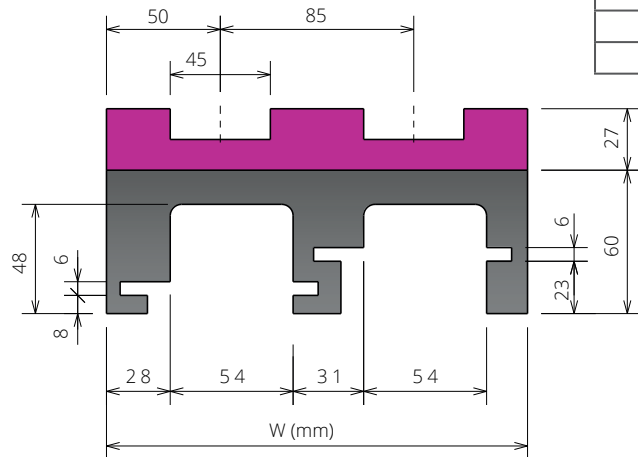
879M-K325 - 880M-K325 - 880M-K330 881M-K325
- 881M-K330 SERIES

MAGNETIC CURVES/BENDS -
500mm CENTERLINE - 100mm WIDE - 85mm
PITCH - NO LEAD IN AND LEAD OUT



SINGLE TRACK - G00001-a6-T1-B1-Rm1-P0-L0

TRACKS	W
1	100
2	185
3	270
4	355
5	440
6	525
7	610
8	695



MULTI TRACK - G00001-a6-T2-B1-Rm1-P1-L0

Rm = 500mm - MULTI TRACK - NO LEAD IN / LEAD OUT

$\alpha 15^\circ$		$\alpha 30^\circ$		$\alpha 45^\circ$	
CODE	DESCRIPTION	CODE	DESCRIPTION	CODE	DESCRIPTION
G00001-a1-T1-B1-Rm1-P0-L0	15°-1T-100w-500CL-0L-MAG	G00001-a2-T1-B1-Rm1-P0-L0	30°-1T-100w-500CL-0L-MAG	G00001-a3-T1-B1-Rm1-P0-L0	45°-1T-100w-500CL-0L-MAG
G00001-a1-T2-B1-Rm1-P1-L0	15°-2T-100w-500CL-P85-0L-MAG	G00001-a2-T2-B1-Rm1-P1-L0	30°-2T-100w-500CL-P85-0L-MAG	G00001-a3-T2-B1-Rm1-P1-L0	45°-2T-100w-500CL-P85-0L-MAG
G00001-a1-T3-B1-Rm1-P1-L0	15°-3T-100w-500CL-P85-0L-MAG	G00001-a2-T3-B1-Rm1-P1-L0	30°-3T-100w-500CL-P85-0L-MAG	G00001-a3-T3-B1-Rm1-P1-L0	45°-3T-100w-500CL-P85-0L-MAG
G00001-a1-T4-B1-Rm1-P1-L0	15°-4T-100w-500CL-P85-0L-MAG	G00001-a2-T4-B1-Rm1-P1-L0	30°-4T-100w-500CL-P85-0L-MAG	G00001-a3-T4-B1-Rm1-P1-L0	45°-4T-100w-500CL-P85-0L-MAG
G00001-a1-T5-B1-Rm1-P1-L0	15°-5T-100w-500CL-P85-0L-MAG	G00001-a2-T5-B1-Rm1-P1-L0	30°-5T-100w-500CL-P85-0L-MAG	G00001-a3-T5-B1-Rm1-P1-L0	45°-5T-100w-500CL-P85-0L-MAG
G00001-a1-T6-B1-Rm1-P1-L0	15°-6T-100w-500CL-P85-0L-MAG	G00001-a2-T6-B1-Rm1-P1-L0	30°-6T-100w-500CL-P85-0L-MAG	G00001-a3-T6-B1-Rm1-P1-L0	45°-6T-100w-500CL-P85-0L-MAG
G00001-a1-T7-B1-Rm1-P1-L0	15°-7T-100w-500CL-P85-0L-MAG	G00001-a2-T7-B1-Rm1-P1-L0	30°-7T-100w-500CL-P85-0L-MAG	G00001-a3-T7-B1-Rm1-P1-L0	45°-7T-100w-500CL-P85-0L-MAG
G00001-a1-T8-B1-Rm1-P1-L0	15°-8T-100w-500CL-P85-0L-MAG	G00001-a2-T8-B1-Rm1-P1-L0	30°-8T-100w-500CL-P85-0L-MAG	G00001-a3-T8-B1-Rm1-P1-L0	45°-8T-100w-500CL-P85-0L-MAG
$\alpha 60^\circ$		$\alpha 75^\circ$		$\alpha 90^\circ$	
CODE	DESCRIPTION	CODE	DESCRIPTION	CODE	DESCRIPTION
G00001-a4-T1-B1-Rm1-P0-L0	60°-1T-100w-500CL-0L-MAG	G00001-a5-T1-B1-Rm1-P0-L0	75°-1T-100w-500CL-0L-MAG	G00001-a6-T1-B1-Rm1-P0-L0	90°-1T-100w-500CL-0L-MAG
G00001-a4-T2-B1-Rm1-P1-L0	60°-2T-100w-500CL-P85-0L-MAG	G00001-a5-T2-B1-Rm1-P1-L0	75°-2T-100w-500CL-P85-0L-MAG	G00001-a6-T2-B1-Rm1-P1-L0	90°-2T-100w-500CL-P85-0L-MAG
G00001-a4-T3-B1-Rm1-P1-L0	60°-3T-100w-500CL-P85-0L-MAG	G00001-a5-T3-B1-Rm1-P1-L0	75°-3T-100w-500CL-P85-0L-MAG	G00001-a6-T3-B1-Rm1-P1-L0	90°-3T-100w-500CL-P85-0L-MAG
G00001-a4-T4-B1-Rm1-P1-L0	60°-4T-100w-500CL-P85-0L-MAG	G00001-a5-T4-B1-Rm1-P1-L0	75°-4T-100w-500CL-P85-0L-MAG	G00001-a6-T4-B1-Rm1-P1-L0	90°-4T-100w-500CL-P85-0L-MAG
G00001-a4-T5-B1-Rm1-P1-L0	60°-5T-100w-500CL-P85-0L-MAG	G00001-a5-T5-B1-Rm1-P1-L0	75°-5T-100w-500CL-P85-0L-MAG	G00001-a6-T5-B1-Rm1-P1-L0	90°-5T-100w-500CL-P85-0L-MAG
G00001-a4-T6-B1-Rm1-P1-L0	60°-6T-100w-500CL-P85-0L-MAG	G00001-a5-T6-B1-Rm1-P1-L0	75°-6T-100w-500CL-P85-0L-MAG	G00001-a6-T6-B1-Rm1-P1-L0	90°-6T-100w-500CL-P85-0L-MAG
G00001-a4-T7-B1-Rm1-P1-L0	60°-7T-100w-500CL-P85-0L-MAG	G00001-a5-T7-B1-Rm1-P1-L0	75°-7T-100w-500CL-P85-0L-MAG	G00001-a6-T7-B1-Rm1-P1-L0	90°-7T-100w-500CL-P85-0L-MAG
G00001-a4-T8-B1-Rm1-P1-L0	60°-8T-100w-500CL-P85-0L-MAG	G00001-a5-T8-B1-Rm1-P1-L0	75°-8T-100w-500CL-P85-0L-MAG	G00001-a6-T8-B1-Rm1-P1-L0	90°-8T-100w-500CL-P85-0L-MAG

NON STANDARD SIZES ARE AVAILABLE ON REQUEST.
STANDARD ORDER QTY: PER SET



CHAINS/BELTS
PG. A8 & PG. B11



MATERIALS



TABLE OF
CONTENTS



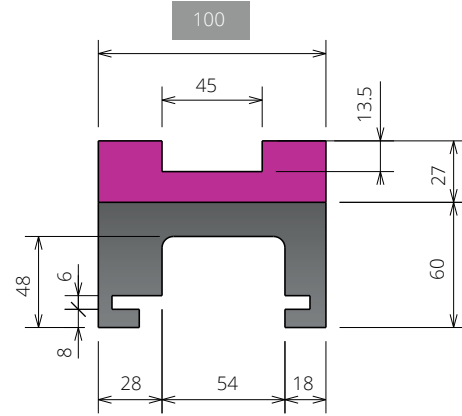
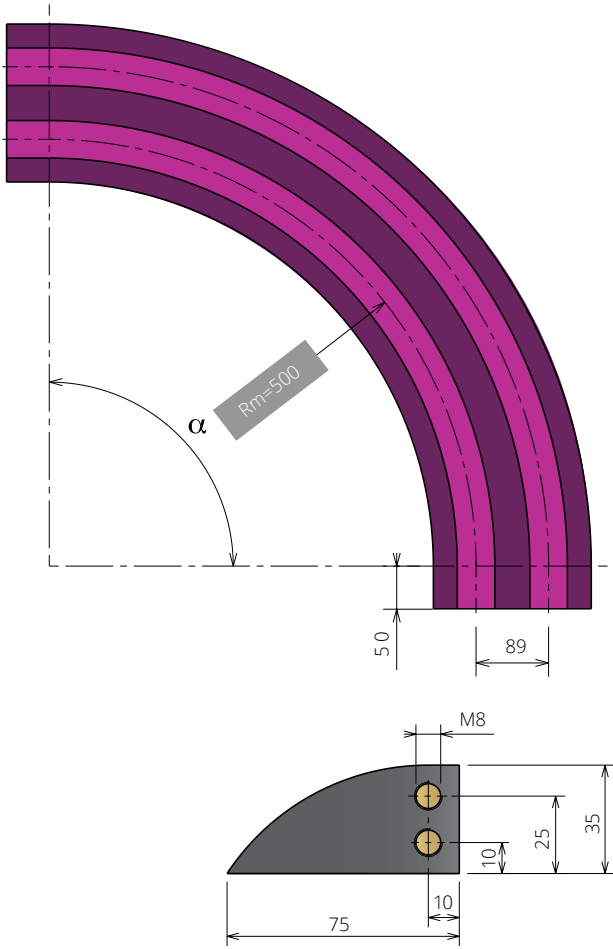
BACK TO CORNER TRACKS/
CURVES/BENDS INDEX (G)

WWW.IRP.CO.ZA

G00001

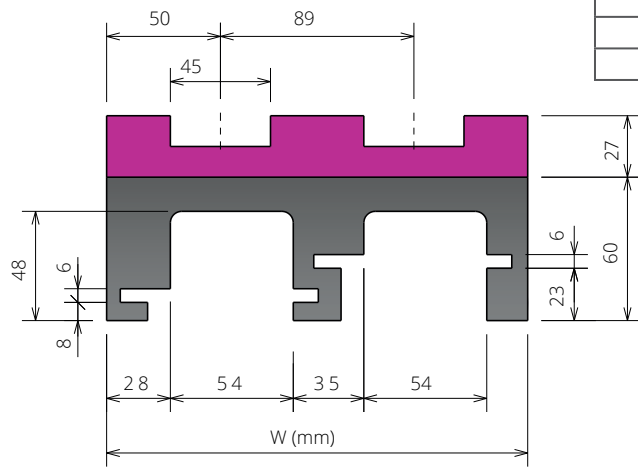
879M-K325 - 880M-K325 - 880M-K330 881M-K325
- 881M-K330 SERIES

MAGNETIC CURVES/BENDS -
500mm CENTERLINE - 100mm WIDE - 89mm
PITCH - 50mm LEAD IN AND LEAD OUT



SINGLE TRACK - G00001-a6-T1-B1-Rm1-P0-L1

TRACKS	W
1	100
2	189
3	278
4	367
5	456
6	545
7	634
8	723



MULTI TRACK - G00001-a6-T2-B1-Rm1-P2-L1

Rm = 500mm - MULTI TRACK - 50mm LEAD IN / LEAD OUT

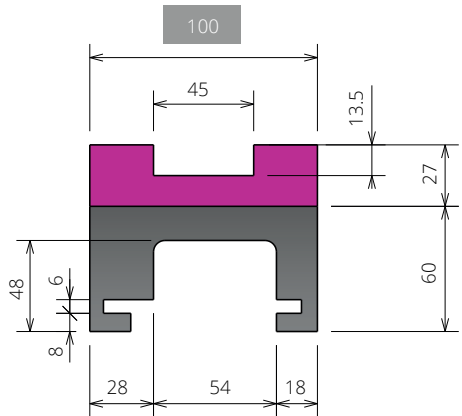
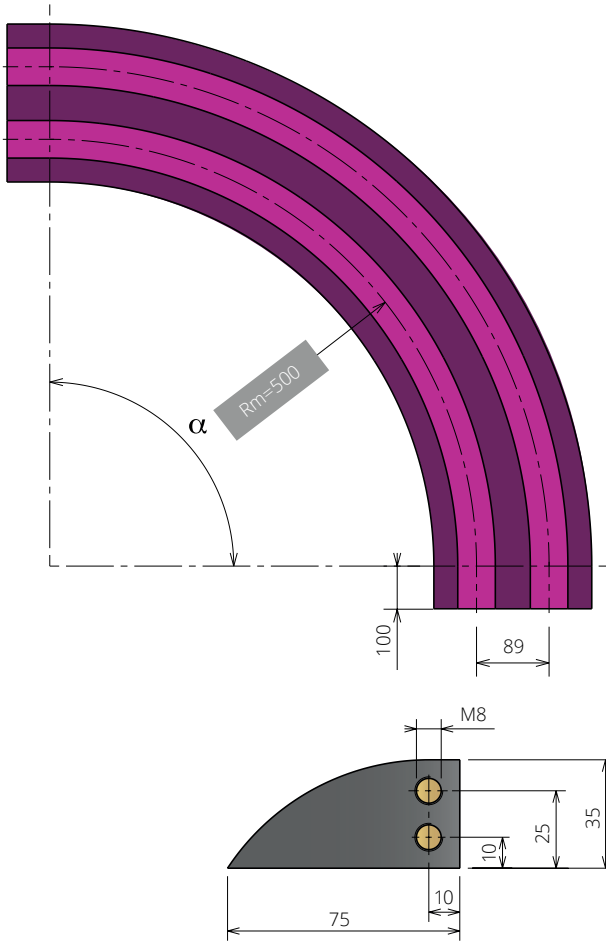
$\alpha 15^\circ$		$\alpha 30^\circ$		$\alpha 45^\circ$	
CODE	DESCRIPTION	CODE	DESCRIPTION	CODE	DESCRIPTION
G00001-a1-T1-B1-Rm1-P0-L1	15° -1T-100w-500CL-50L-MAG	G00001-a2-T1-B1-Rm1-P0-L1	30° -1T-100w-500CL-50L-MAG	G00001-a3-T1-B1-Rm1-P0-L1	45° -1T-100w-500CL-50L-MAG
G00001-a1-T2-B1-Rm1-P2-L1	15° -2T-100w-500CL-P89-50L- MAG	G00001-a2-T2-B1-Rm1-P2-L1	30° -2T-100w-500CL-P89-50L- MAG	G00001-a3-T2-B1-Rm1-P2-L1	45° -2T-100w-500CL-P89-50L- MAG
G00001-a1-T3-B1-Rm1-P2-L1	15° -3T-100w-500CL-P89-50L- MAG	G00001-a2-T3-B1-Rm1-P2-L1	30° -3T-100w-500CL-P89-50L- MAG	G00001-a3-T3-B1-Rm1-P2-L1	45° -3T-100w-500CL-P89-50L- MAG
G00001-a1-T4-B1-Rm1-P2-L1	15° -4T-100w-500CL-P89-50L- MAG	G00001-a2-T4-B1-Rm1-P2-L1	30° -4T-100w-500CL-P89-50L- MAG	G00001-a3-T4-B1-Rm1-P2-L1	45° -4T-100w-500CL-P89-50L- MAG
G00001-a1-T5-B1-Rm1-P2-L1	15° -5T-100w-500CL-P89-50L- MAG	G00001-a2-T5-B1-Rm1-P2-L1	30° -5T-100w-500CL-P89-50L- MAG	G00001-a3-T5-B1-Rm1-P2-L1	45° -5T-100w-500CL-P89-50L- MAG
G00001-a1-T6-B1-Rm1-P2-L1	15° -6T-100w-500CL-P89-50L- MAG	G00001-a2-T6-B1-Rm1-P2-L1	30° -6T-100w-500CL-P89-50L- MAG	G00001-a3-T6-B1-Rm1-P2-L1	45° -6T-100w-500CL-P89-50L- MAG
G00001-a1-T7-B1-Rm1-P2-L1	15° -7T-100w-500CL-P89-50L- MAG	G00001-a2-T7-B1-Rm1-P2-L1	30° -7T-100w-500CL-P89-50L- MAG	G00001-a3-T7-B1-Rm1-P2-L1	45° -7T-100w-500CL-P89-50L- MAG
G00001-a1-T8-B1-Rm1-P2-L1	15° -8T-100w-500CL-P89-50L- MAG	G00001-a2-T8-B1-Rm1-P2-L1	30° -8T-100w-500CL-P89-50L- MAG	G00001-a3-T8-B1-Rm1-P2-L1	45° -8T-100w-500CL-P89-50L- MAG
$\alpha 60^\circ$		$\alpha 75^\circ$		$\alpha 90^\circ$	
CODE	DESCRIPTION	CODE	DESCRIPTION	CODE	DESCRIPTION
G00001-a4-T1-B1-Rm1-P0-L1	60° -1T-100w-500CL-50L-MAG	G00001-a5-T1-B1-Rm1-P0-L1	75° -1T-100w-500CL-50L-MAG	G00001-a6-T1-B1-Rm1-P0-L1	90° -1T-100w-500CL-50L-MAG
G00001-a4-T2-B1-Rm1-P2-L1	60° -2T-100w-500CL-P89-50L- MAG	G00001-a5-T2-B1-Rm1-P2-L1	75° -2T-100w-500CL-P89-50L- MAG	G00001-a6-T2-B1-Rm1-P2-L1	90° -2T-100w-500CL-P89-50L- MAG
G00001-a4-T3-B1-Rm1-P2-L1	60° -3T-100w-500CL-P89-50L- MAG	G00001-a5-T3-B1-Rm1-P2-L1	75° -3T-100w-500CL-P89-50L- MAG	G00001-a6-T3-B1-Rm1-P2-L1	90° -3T-100w-500CL-P89-50L- MAG
G00001-a4-T4-B1-Rm1-P2-L1	60° -4T-100w-500CL-P89-50L- MAG	G00001-a5-T4-B1-Rm1-P2-L1	75° -4T-100w-500CL-P89-50L- MAG	G00001-a6-T4-B1-Rm1-P2-L1	90° -4T-100w-500CL-P89-50L- MAG
G00001-a4-T5-B1-Rm1-P2-L1	60° -5T-100w-500CL-P89-50L- MAG	G00001-a5-T5-B1-Rm1-P2-L1	75° -5T-100w-500CL-P89-50L- MAG	G00001-a6-T5-B1-Rm1-P2-L1	90° -5T-100w-500CL-P89-50L- MAG
G00001-a4-T6-B1-Rm1-P2-L1	60° -6T-100w-500CL-P89-50L- MAG	G00001-a5-T6-B1-Rm1-P2-L1	75° -6T-100w-500CL-P89-50L- MAG	G00001-a6-T6-B1-Rm1-P2-L1	90° -6T-100w-500CL-P89-50L- MAG
G00001-a4-T7-B1-Rm1-P2-L1	60° -7T-100w-500CL-P89-50L- MAG	G00001-a5-T7-B1-Rm1-P2-L1	75° -7T-100w-500CL-P89-50L- MAG	G00001-a6-T7-B1-Rm1-P2-L1	90° -7T-100w-500CL-P89-50L- MAG
G00001-a4-T8-B1-Rm1-P2-L1	60° -8T-100w-500CL-P89-50L- MAG	G00001-a5-T8-B1-Rm1-P2-L1	75° -8T-100w-500CL-P89-50L- MAG	G00001-a6-T8-B1-Rm1-P2-L1	90° -8T-100w-500CL-P89-50L- MAG

NON STANDARD SIZES ARE AVAILABLE ON REQUEST.
STANDARD ORDER QTY: PER SET

G00001

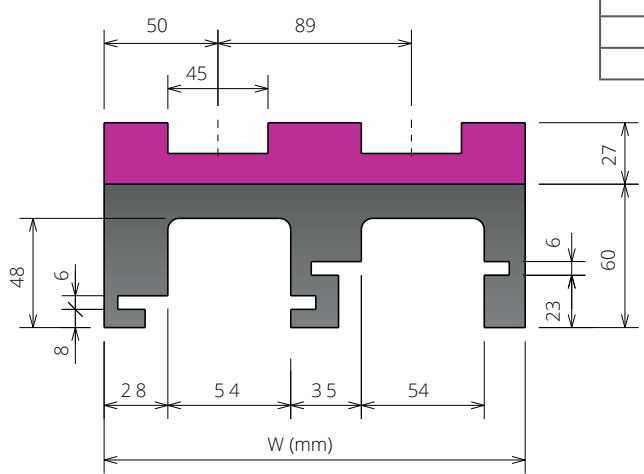
879M-K325 - 880M-K325 - 880M-K330 881M-K325
- 881M-K330 SERIES

MAGNETIC CURVES/BENDS -
500mm CENTERLINE - 100mm WIDE - 89mm
PITCH - 100mm LEAD IN AND LEAD OUT



SINGLE TRACK - G00001-a6-T1-B1-Rm1-P0-L2

TRACKS	W
1	100
2	189
3	278
4	367
5	456
6	545
7	634
8	723



MULTI TRACK - G00001-a6-T2-B1-Rm1-P2-L2

Rm = 500mm - MULTI TRACK - 100mm LEAD IN / LEAD OUT

$\alpha 15^\circ$		$\alpha 30^\circ$		$\alpha 45^\circ$	
CODE	DESCRIPTION	CODE	DESCRIPTION	CODE	DESCRIPTION
G00001-a1-T1-B1-Rm1-P0-L2	15°-1T-100w-500CL-100L-MAG	G00001-a2-T1-B1-Rm1-P0-L2	30°-1T-100w-500CL-100L-MAG	G00001-a3-T1-B1-Rm1-P0-L2	45°-1T-100w-500CL-100L-MAG
G00001-a1-T2-B1-Rm1-P2-L2	15°-2T-100w-500CL-P89-100L-MAG	G00001-a2-T2-B1-Rm1-P2-L2	30°-2T-100w-500CL-P89-100L-MAG	G00001-a3-T2-B1-Rm1-P2-L2	45°-2T-100w-500CL-P89-100L-MAG
G00001-a1-T3-B1-Rm1-P2-L2	15°-3T-100w-500CL-P89-100L-MAG	G00001-a2-T3-B1-Rm1-P2-L2	30°-3T-100w-500CL-P89-100L-MAG	G00001-a3-T3-B1-Rm1-P2-L2	45°-3T-100w-500CL-P89-100L-MAG
G00001-a1-T4-B1-Rm1-P2-L2	15°-4T-100w-500CL-P89-100L-MAG	G00001-a2-T4-B1-Rm1-P2-L2	30°-4T-100w-500CL-P89-100L-MAG	G00001-a3-T4-B1-Rm1-P2-L2	45°-4T-100w-500CL-P89-100L-MAG
G00001-a1-T5-B1-Rm1-P2-L2	15°-5T-100w-500CL-P89-100L-MAG	G00001-a2-T5-B1-Rm1-P2-L2	30°-5T-100w-500CL-P89-100L-MAG	G00001-a3-T5-B1-Rm1-P2-L2	45°-5T-100w-500CL-P89-100L-MAG
G00001-a1-T6-B1-Rm1-P2-L2	15°-6T-100w-500CL-P89-100L-MAG	G00001-a2-T6-B1-Rm1-P2-L2	30°-6T-100w-500CL-P89-100L-MAG	G00001-a3-T6-B1-Rm1-P2-L2	45°-6T-100w-500CL-P89-100L-MAG
G00001-a1-T7-B1-Rm1-P2-L2	15°-7T-100w-500CL-P89-100L-MAG	G00001-a2-T7-B1-Rm1-P2-L2	30°-7T-100w-500CL-P89-100L-MAG	G00001-a3-T7-B1-Rm1-P2-L2	45°-7T-100w-500CL-P89-100L-MAG
G00001-a1-T8-B1-Rm1-P2-L2	15°-8T-100w-500CL-P89-100L-MAG	G00001-a2-T8-B1-Rm1-P2-L2	30°-8T-100w-500CL-P89-100L-MAG	G00001-a3-T8-B1-Rm1-P2-L2	45°-8T-100w-500CL-P89-100L-MAG
$\alpha 60^\circ$		$\alpha 75^\circ$		$\alpha 90^\circ$	
CODE	DESCRIPTION	CODE	DESCRIPTION	CODE	DESCRIPTION
G00001-a4-T1-B1-Rm1-P0-L2	60°-1T-100w-500CL-100L-MAG	G00001-a5-T1-B1-Rm1-P0-L2	75°-1T-100w-500CL-100L-MAG	G00001-a6-T1-B1-Rm1-P0-L2	90°-1T-100w-500CL-100L-MAG
G00001-a4-T2-B1-Rm1-P2-L2	60°-2T-100w-500CL-P89-100L-MAG	G00001-a5-T2-B1-Rm1-P2-L2	75°-2T-100w-500CL-P89-100L-MAG	G00001-a6-T2-B1-Rm1-P2-L2	90°-2T-100w-500CL-P89-100L-MAG
G00001-a4-T3-B1-Rm1-P2-L2	60°-3T-100w-500CL-P89-100L-MAG	G00001-a5-T3-B1-Rm1-P2-L2	75°-3T-100w-500CL-P89-100L-MAG	G00001-a6-T3-B1-Rm1-P2-L2	90°-3T-100w-500CL-P89-100L-MAG
G00001-a4-T4-B1-Rm1-P2-L2	60°-4T-100w-500CL-P89-100L-MAG	G00001-a5-T4-B1-Rm1-P2-L2	75°-4T-100w-500CL-P89-100L-MAG	G00001-a6-T4-B1-Rm1-P2-L2	90°-4T-100w-500CL-P89-100L-MAG
G00001-a4-T5-B1-Rm1-P2-L2	60°-5T-100w-500CL-P89-100L-MAG	G00001-a5-T5-B1-Rm1-P2-L2	75°-5T-100w-500CL-P89-100L-MAG	G00001-a6-T5-B1-Rm1-P2-L2	90°-5T-100w-500CL-P89-100L-MAG
G00001-a4-T6-B1-Rm1-P2-L2	60°-6T-100w-500CL-P89-100L-MAG	G00001-a5-T6-B1-Rm1-P2-L2	75°-6T-100w-500CL-P89-100L-MAG	G00001-a6-T6-B1-Rm1-P2-L2	90°-6T-100w-500CL-P89-100L-MAG
G00001-a4-T7-B1-Rm1-P2-L2	60°-7T-100w-500CL-P89-100L-MAG	G00001-a5-T7-B1-Rm1-P2-L2	75°-7T-100w-500CL-P89-100L-MAG	G00001-a6-T7-B1-Rm1-P2-L2	90°-7T-100w-500CL-P89-100L-MAG
G00001-a4-T8-B1-Rm1-P2-L2	60°-8T-100w-500CL-P89-100L-MAG	G00001-a5-T8-B1-Rm1-P2-L2	75°-8T-100w-500CL-P89-100L-MAG	G00001-a6-T8-B1-Rm1-P2-L2	90°-8T-100w-500CL-P89-100L-MAG

NON STANDARD SIZES ARE AVAILABLE ON REQUEST.
STANDARD ORDER QTY: PER SET



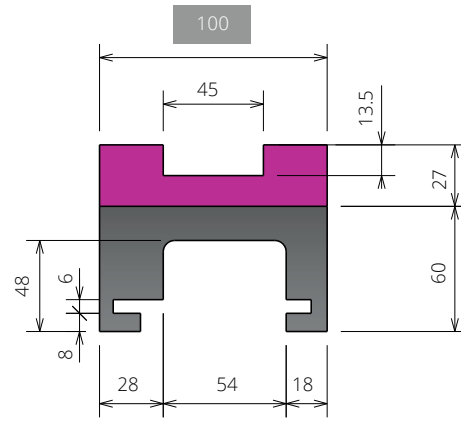
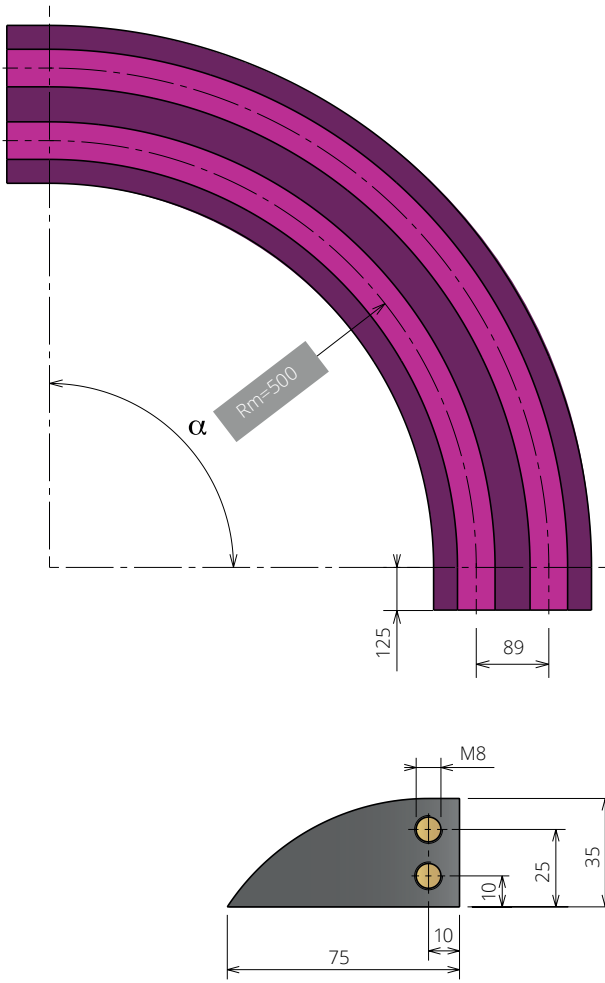
CHAINS/BELTS PG. A8 & PG. B11
MATERIALS
TABLE OF CONTENTS
BACK TO CORNER TRACKS/ CURVES/BENDS INDEX (G)

WWW.IRP.CO.ZA

G00001

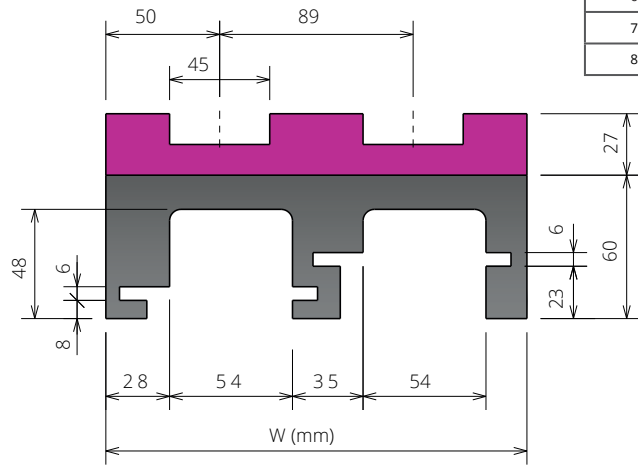
879M-K325 - 880M-K325 - 880M-K330 881M-K325
- 881M-K330 SERIES

MAGNETIC CURVES/BENDS -
500mm CENTERLINE - 100mm WIDE - 89mm
PITCH - 125mm LEAD IN AND LEAD OUT



SINGLE TRACK - G00001-a6-T1-B1-Rm1-P0-L3

TRACKS	W
1	100
2	189
3	278
4	367
5	456
6	545
7	634
8	723



MULTI TRACK - G00001-a6-T2-B1-Rm1-P2-L3

Rm = 500mm - MULTI TRACK - 125mm LEAD IN / LEAD OUT

$\alpha 15^\circ$		$\alpha 30^\circ$		$\alpha 45^\circ$	
CODE	DESCRIPTION	CODE	DESCRIPTION	CODE	DESCRIPTION
G00001-a1-T1-B1-Rm1-P0-L3	15°-1T-100w-500CL-125L-MAG	G00001-a2-T1-B1-Rm1-P0-L3	30° - 1T-100w-500CL-125L-MAG	G00001-a3-T1-B1-Rm1-P0-L3	45°-1T-100w-500CL-125L-MAG
G00001-a1-T2-B1-Rm1-P2-L3	15°-2T-100w-500CL-P89-125L-MAG	G00001-a2-T2-B1-Rm1-P2-L3	30°-2T-100w-500CL-P89-125L-MAG	G00001-a3-T2-B1-Rm1-P2-L3	45°-2T-100w-500CL-P89-125L-MAG
G00001-a1-T3-B1-Rm1-P2-L3	15°-3T-100w-500CL-P89-125L-MAG	G00001-a2-T3-B1-Rm1-P2-L3	30°-3T-100w-500CL-P89-125L-MAG	G00001-a3-T3-B1-Rm1-P2-L3	45°-3T-100w-500CL-P89-125L-MAG
G00001-a1-T4-B1-Rm1-P2-L3	15°-4T-100w-500CL-P89-125L-MAG	G00001-a2-T4-B1-Rm1-P2-L3	30°-4T-100w-500CL-P89-125L-MAG	G00001-a3-T4-B1-Rm1-P2-L3	45°-4T-100w-500CL-P89-125L-MAG
G00001-a1-T5-B1-Rm1-P2-L3	15°-5T-100w-500CL-P89-125L-MAG	G00001-a2-T5-B1-Rm1-P2-L3	30°-5T-100w-500CL-P89-125L-MAG	G00001-a3-T5-B1-Rm1-P2-L3	45°-5T-100w-500CL-P89-125L-MAG
G00001-a1-T6-B1-Rm1-P2-L3	15°-6T-100w-500CL-P89-125L-MAG	G00001-a2-T6-B1-Rm1-P2-L3	30°-6T-100w-500CL-P89-125L-MAG	G00001-a3-T6-B1-Rm1-P2-L3	45°-6T-100w-500CL-P89-125L-MAG
G00001-a1-T7-B1-Rm1-P2-L3	15°-7T-100w-500CL-P89-125L-MAG	G00001-a2-T7-B1-Rm1-P2-L3	30°-7T-100w-500CL-P89-125L-MAG	G00001-a3-T7-B1-Rm1-P2-L3	45°-7T-100w-500CL-P89-125L-MAG
G00001-a1-T8-B1-Rm1-P2-L3	15°-8T-100w-500CL-P89-125L-MAG	G00001-a2-T8-B1-Rm1-P2-L3	30°-8T-100w-500CL-P89-125L-MAG	G00001-a3-T8-B1-Rm1-P2-L3	45°-8T-100w-500CL-P89-125L-MAG
$\alpha 60^\circ$		$\alpha 75^\circ$		$\alpha 90^\circ$	
CODE	DESCRIPTION	CODE	DESCRIPTION	CODE	DESCRIPTION
G00001-a4-T1-B1-Rm1-P0-L3	60°-1T-100w-500CL-125L-MAG	G00001-a5-T1-B1-Rm1-P0-L3	75°-1T-100w-500CL-125L-MAG	G00001-a6-T1-B1-Rm1-P0-L3	90°-1T-100w-500CL-125L-MAG
G00001-a4-T2-B1-Rm1-P2-L3	60°-2T-100w-500CL-P89-125L-MAG	G00001-a5-T2-B1-Rm1-P2-L3	75°-2T-100w-500CL-P89-125L-MAG	G00001-a6-T2-B1-Rm1-P2-L3	90°-2T-100w-500CL-P89-125L-MAG
G00001-a4-T3-B1-Rm1-P2-L3	60°-3T-100w-500CL-P89-125L-MAG	G00001-a5-T3-B1-Rm1-P2-L3	75°-3T-100w-500CL-P89-125L-MAG	G00001-a6-T3-B1-Rm1-P2-L3	90°-3T-100w-500CL-P89-125L-MAG
G00001-a4-T4-B1-Rm1-P2-L3	60°-4T-100w-500CL-P89-125L-MAG	G00001-a5-T4-B1-Rm1-P2-L3	75°-4T-100w-500CL-P89-125L-MAG	G00001-a6-T4-B1-Rm1-P2-L3	90°-4T-100w-500CL-P89-125L-MAG
G00001-a4-T5-B1-Rm1-P2-L3	60°-5T-100w-500CL-P89-125L-MAG	G00001-a5-T5-B1-Rm1-P2-L3	75°-5T-100w-500CL-P89-125L-MAG	G00001-a6-T5-B1-Rm1-P2-L3	90°-5T-100w-500CL-P89-125L-MAG
G00001-a4-T6-B1-Rm1-P2-L3	60°-6T-100w-500CL-P89-125L-MAG	G00001-a5-T6-B1-Rm1-P2-L3	75°-6T-100w-500CL-P89-125L-MAG	G00001-a6-T6-B1-Rm1-P2-L3	90°-6T-100w-500CL-P89-125L-MAG
G00001-a4-T7-B1-Rm1-P2-L3	60°-7T-100w-500CL-P89-125L-MAG	G00001-a5-T7-B1-Rm1-P2-L3	75°-7T-100w-500CL-P89-125L-MAG	G00001-a6-T7-B1-Rm1-P2-L3	90°-7T-100w-500CL-P89-125L-MAG
G00001-a4-T8-B1-Rm1-P2-L3	60°-8T-100w-500CL-P89-125L-MAG	G00001-a5-T8-B1-Rm1-P2-L3	75°-8T-100w-500CL-P89-125L-MAG	G00001-a6-T8-B1-Rm1-P2-L3	90°-8T-100w-500CL-P89-125L-MAG

NON STANDARD SIZES ARE AVAILABLE ON REQUEST.
STANDARD ORDER QTY: PER SET



CHAINS/BELTS
PG. A8 & PG. B11



MATERIALS



TABLE OF
CONTENTS



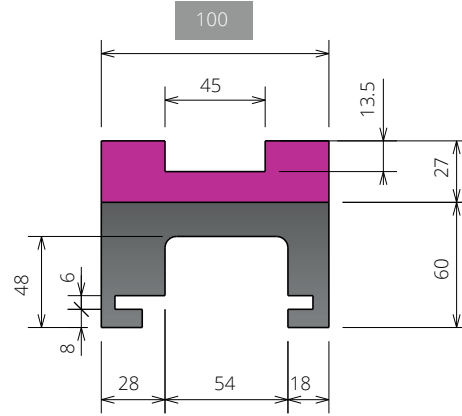
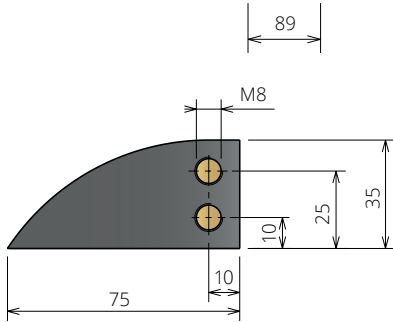
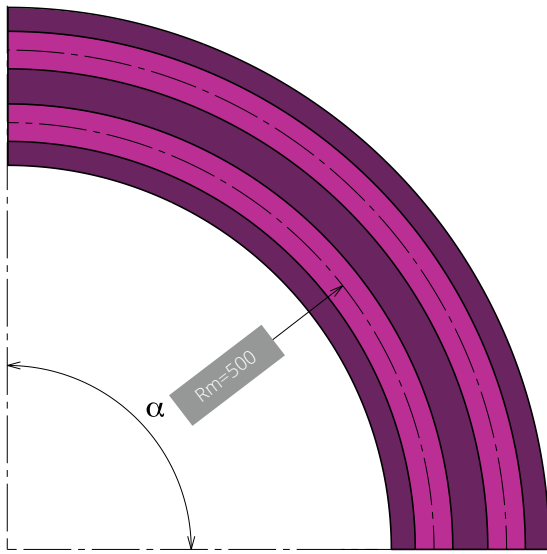
BACK TO CORNER TRACKS/
CURVES/BENDS INDEX (G)

WWW.IRP.CO.ZA

G00001

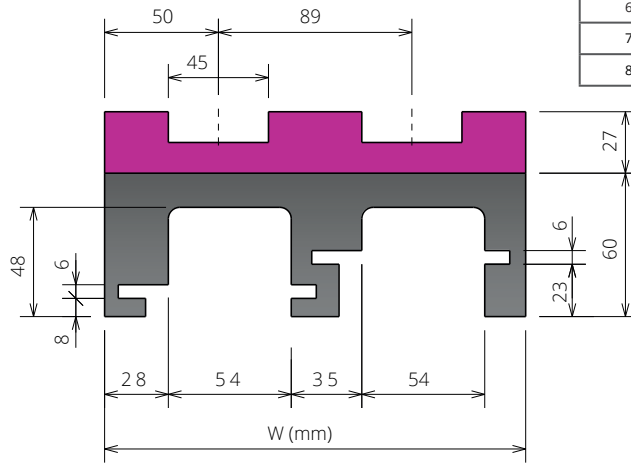
879M-K325 - 880M-K325 - 880M-K330 881M-K325
- 881M-K330 SERIES

MAGNETIC CURVES/BENDS -
500mm CENTERLINE - 100mm WIDE - 89mm
PITCH - NO LEAD IN AND LEAD OUT



SINGLE TRACK - G00001-a6-T1-B1-Rm1-P0-L0

TRACKS	W
1	100
2	189
3	278
4	367
5	456
6	545
7	634
8	723



MULTI TRACK - G00001-a6-T2-B1-Rm1-P2-L0

Rm = 500mm - MULTI TRACK - NO LEAD IN / LEAD OUT

$\alpha 15^\circ$		$\alpha 30^\circ$		$\alpha 45^\circ$	
CODE	DESCRIPTION	CODE	DESCRIPTION	CODE	DESCRIPTION
G00001-a1-T1-B1-Rm1-P0-L0	15°-1T-100w-500CL-0L-MAG	G00001-a2-T1-B1-Rm1-P0-L0	30°-1T-100w-500CL-0L-MAG	G00001-a3-T1-B1-Rm1-P0-L0	45°-1T-100w-500CL-0L-MAG
G00001-a1-T2-B1-Rm1-P2-L0	15°-2T-100w-500CL-P89-0L-MAG	G00001-a2-T2-B1-Rm1-P2-L0	30°-2T-100w-500CL-P89-0L-MAG	G00001-a3-T2-B1-Rm1-P2-L0	45°-2T-100w-500CL-P89-0L-MAG
G00001-a1-T3-B1-Rm1-P2-L0	15°-3T-100w-500CL-P89-0L-MAG	G00001-a2-T3-B1-Rm1-P2-L0	30°-3T-100w-500CL-P89-0L-MAG	G00001-a3-T3-B1-Rm1-P2-L0	45°-3T-100w-500CL-P89-0L-MAG
G00001-a1-T4-B1-Rm1-P2-L0	15°-4T-100w-500CL-P89-0L-MAG	G00001-a2-T4-B1-Rm1-P2-L0	30°-4T-100w-500CL-P89-0L-MAG	G00001-a3-T4-B1-Rm1-P2-L0	45°-4T-100w-500CL-P89-0L-MAG
G00001-a1-T5-B1-Rm1-P2-L0	15°-5T-100w-500CL-P89-0L-MAG	G00001-a2-T5-B1-Rm1-P2-L0	30°-5T-100w-500CL-P89-0L-MAG	G00001-a3-T5-B1-Rm1-P2-L0	45°-5T-100w-500CL-P89-0L-MAG
G00001-a1-T6-B1-Rm1-P2-L0	15°-6T-100w-500CL-P89-0L-MAG	G00001-a2-T6-B1-Rm1-P2-L0	30°-6T-100w-500CL-P89-0L-MAG	G00001-a3-T6-B1-Rm1-P2-L0	45°-6T-100w-500CL-P89-0L-MAG
G00001-a1-T7-B1-Rm1-P2-L0	15°-7T-100w-500CL-P89-0L-MAG	G00001-a2-T7-B1-Rm1-P2-L0	30°-7T-100w-500CL-P89-0L-MAG	G00001-a3-T7-B1-Rm1-P2-L0	45°-7T-100w-500CL-P89-0L-MAG
G00001-a1-T8-B1-Rm1-P2-L0	15°-8T-100w-500CL-P89-0L-MAG	G00001-a2-T8-B1-Rm1-P2-L0	30°-8T-100w-500CL-P89-0L-MAG	G00001-a3-T8-B1-Rm1-P2-L0	45°-8T-100w-500CL-P89-0L-MAG
$\alpha 60^\circ$		$\alpha 75^\circ$		$\alpha 90^\circ$	
CODE	DESCRIPTION	CODE	DESCRIPTION	CODE	DESCRIPTION
G00001-a4-T1-B1-Rm1-P0-L0	60°-1T-100w-500CL-0L-MAG	G00001-a5-T1-B1-Rm1-P0-L0	75°-1T-100w-500CL-0L-MAG	G00001-a6-T1-B1-Rm1-P0-L0	90°-1T-100w-500CL-0L-MAG
G00001-a4-T2-B1-Rm1-P2-L0	60°-2T-100w-500CL-P89-0L-MAG	G00001-a5-T2-B1-Rm1-P2-L0	75°-2T-100w-500CL-P89-0L-MAG	G00001-a6-T2-B1-Rm1-P2-L0	90°-2T-100w-500CL-P89-0L-MAG
G00001-a4-T3-B1-Rm1-P2-L0	60°-3T-100w-500CL-P89-0L-MAG	G00001-a5-T3-B1-Rm1-P2-L0	75°-3T-100w-500CL-P89-0L-MAG	G00001-a6-T3-B1-Rm1-P2-L0	90°-3T-100w-500CL-P89-0L-MAG
G00001-a4-T4-B1-Rm1-P2-L0	60°-4T-100w-500CL-P89-0L-MAG	G00001-a5-T4-B1-Rm1-P2-L0	75°-4T-100w-500CL-P89-0L-MAG	G00001-a6-T4-B1-Rm1-P2-L0	90°-4T-100w-500CL-P89-0L-MAG
G00001-a4-T5-B1-Rm1-P2-L0	60°-5T-100w-500CL-P89-0L-MAG	G00001-a5-T5-B1-Rm1-P2-L0	75°-5T-100w-500CL-P89-0L-MAG	G00001-a6-T5-B1-Rm1-P2-L0	90°-5T-100w-500CL-P89-0L-MAG
G00001-a4-T6-B1-Rm1-P2-L0	60°-6T-100w-500CL-P89-0L-MAG	G00001-a5-T6-B1-Rm1-P2-L0	75°-6T-100w-500CL-P89-0L-MAG	G00001-a6-T6-B1-Rm1-P2-L0	90°-6T-100w-500CL-P89-0L-MAG
G00001-a4-T7-B1-Rm1-P2-L0	60°-7T-100w-500CL-P89-0L-MAG	G00001-a5-T7-B1-Rm1-P2-L0	75°-7T-100w-500CL-P89-0L-MAG	G00001-a6-T7-B1-Rm1-P2-L0	90°-7T-100w-500CL-P89-0L-MAG
G00001-a4-T8-B1-Rm1-P2-L0	60°-8T-100w-500CL-P89-0L-MAG	G00001-a5-T8-B1-Rm1-P2-L0	75°-8T-100w-500CL-P89-0L-MAG	G00001-a6-T8-B1-Rm1-P2-L0	90°-8T-100w-500CL-P89-0L-MAG

NON STANDARD SIZES ARE AVAILABLE ON REQUEST.
STANDARD ORDER QTY: PER SET



CHAINS/BELTS
PG. A8 & PG. B11



MATERIALS



TABLE OF
CONTENTS



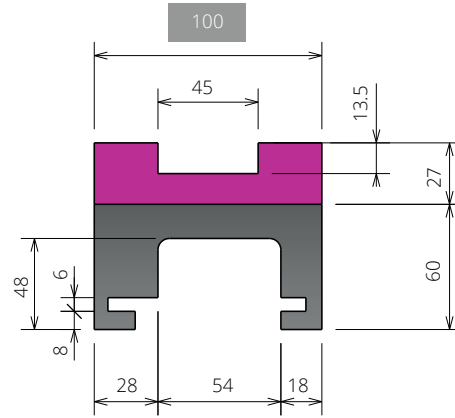
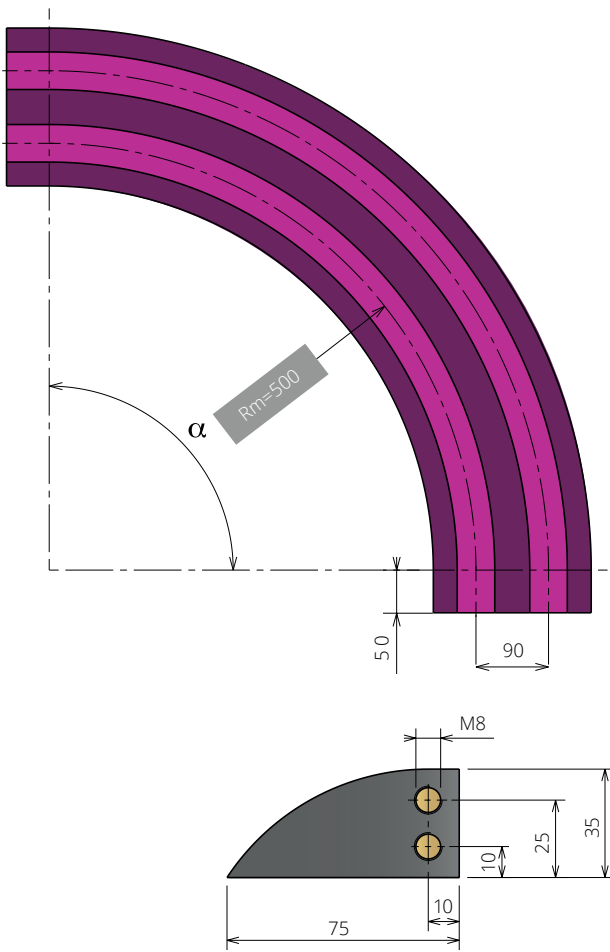
BACK TO CORNER TRACKS/
CURVES/BENDS INDEX (G)

WWW.IRP.CO.ZA

G00001

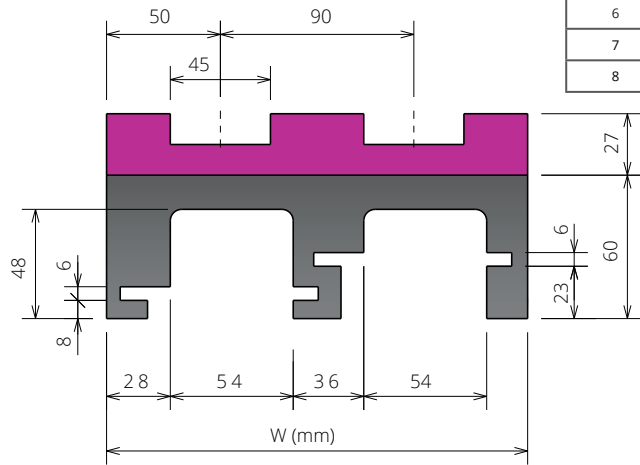
879M-K325 - 880M-K325 - 880M-K330 881M-K325
- 881M-K330 SERIES

MAGNETIC CURVES/BENDS -
500mm CENTERLINE - 100mm WIDE - 90mm
PITCH - 50mm LEAD IN AND LEAD OUT



SINGLE TRACK - G00001-a6-T1-B1-Rm1-P0-L1

TRACKS	W
1	100
2	190
3	280
4	370
5	460
6	550
7	640
8	730



MULTI TRACK - G00001-a6-T2-B1-Rm1-P3-L1

Rm = 500mm - MULTI TRACK - 50mm LEAD IN / LEAD OUT

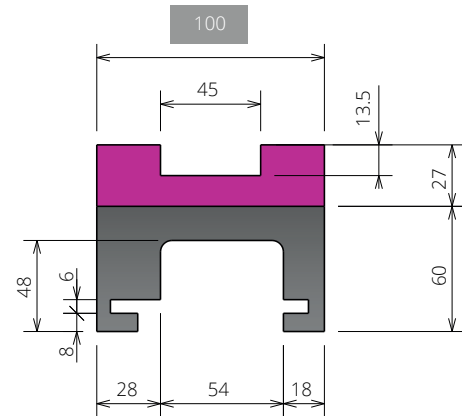
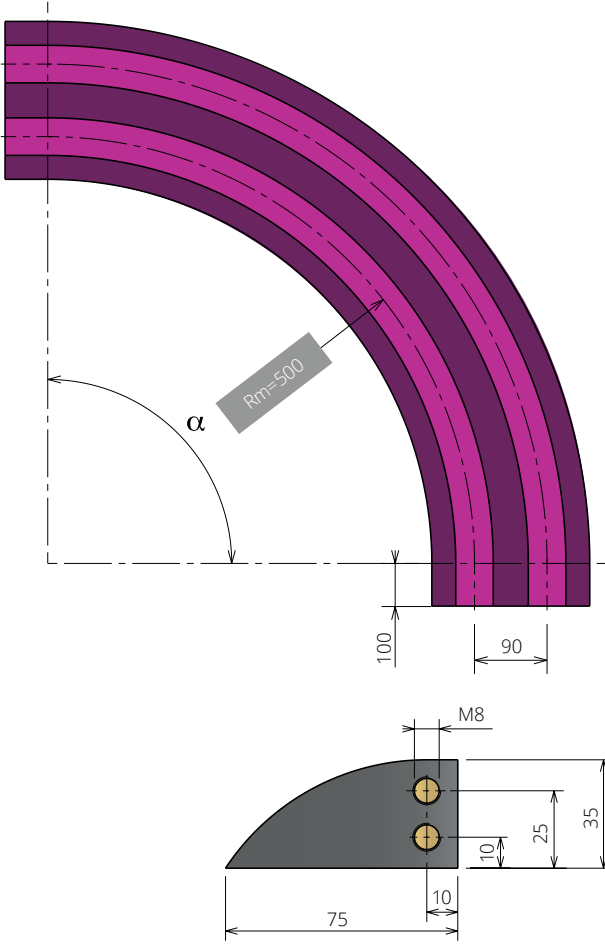
$\alpha 15^\circ$		$\alpha 30^\circ$		$\alpha 45^\circ$	
CODE	DESCRIPTION	CODE	DESCRIPTION	CODE	DESCRIPTION
G00001-a1-T1-B1-Rm1-P0-L1	15°-1T-100w-500CL-50L-MAG	G00001-a2-T1-B1-Rm1-P0-L1	30°-1T-100w-500CL-50L-MAG	G00001-a3-T1-B1-Rm1-P0-L1	45°-1T-100w-500CL-50L-MAG
G00001-a1-T2-B1-Rm1-P3-L1	15°-2T-100w-500CL-P90-50L-MAG	G00001-a2-T2-B1-Rm1-P3-L1	30°-2T-100w-500CL-P90-50L-MAG	G00001-a3-T2-B1-Rm1-P3-L1	45°-2T-100w-500CL-P90-50L-MAG
G00001-a1-T3-B1-Rm1-P3-L1	15°-3T-100w-500CL-P90-50L-MAG	G00001-a2-T3-B1-Rm1-P3-L1	30°-3T-100w-500CL-P90-50L-MAG	G00001-a3-T3-B1-Rm1-P3-L1	45°-3T-100w-500CL-P90-50L-MAG
G00001-a1-T4-B1-Rm1-P3-L1	15°-4T-100w-500CL-P90-50L-MAG	G00001-a2-T4-B1-Rm1-P3-L1	30°-4T-100w-500CL-P90-50L-MAG	G00001-a3-T4-B1-Rm1-P3-L1	45°-4T-100w-500CL-P90-50L-MAG
G00001-a1-T5-B1-Rm1-P3-L1	15°-5T-100w-500CL-P90-50L-MAG	G00001-a2-T5-B1-Rm1-P3-L1	30°-5T-100w-500CL-P90-50L-MAG	G00001-a3-T5-B1-Rm1-P3-L1	45°-5T-100w-500CL-P90-50L-MAG
G00001-a1-T6-B1-Rm1-P3-L1	15°-6T-100w-500CL-P90-50L-MAG	G00001-a2-T6-B1-Rm1-P3-L1	30°-6T-100w-500CL-P90-50L-MAG	G00001-a3-T6-B1-Rm1-P3-L1	45°-6T-100w-500CL-P90-50L-MAG
G00001-a1-T7-B1-Rm1-P3-L1	15°-7T-100w-500CL-P90-50L-MAG	G00001-a2-T7-B1-Rm1-P3-L1	30°-7T-100w-500CL-P90-50L-MAG	G00001-a3-T7-B1-Rm1-P3-L1	45°-7T-100w-500CL-P90-50L-MAG
G00001-a1-T8-B1-Rm1-P3-L1	15°-8T-100w-500CL-P90-50L-MAG	G00001-a2-T8-B1-Rm1-P3-L1	30°-8T-100w-500CL-P90-50L-MAG	G00001-a3-T8-B1-Rm1-P3-L1	45°-8T-100w-500CL-P90-50L-MAG
$\alpha 60^\circ$		$\alpha 75^\circ$		$\alpha 90^\circ$	
CODE	DESCRIPTION	CODE	DESCRIPTION	CODE	DESCRIPTION
G00001-a4-T1-B1-Rm1-P0-L1	60°-1T-100w-500CL-50L-MAG	G00001-a5-T1-B1-Rm1-P0-L1	75°-1T-100w-500CL-50L-MAG	G00001-a6-T1-B1-Rm1-P0-L1	90°-1T-100w-500CL-50L-MAG
G00001-a4-T2-B1-Rm1-P3-L1	60°-2T-100w-500CL-P90-50L-MAG	G00001-a5-T2-B1-Rm1-P3-L1	75°-2T-100w-500CL-P90-50L-MAG	G00001-a6-T2-B1-Rm1-P3-L1	90°-2T-100w-500CL-P90-50L-MAG
G00001-a4-T3-B1-Rm1-P3-L1	60°-3T-100w-500CL-P90-50L-MAG	G00001-a5-T3-B1-Rm1-P3-L1	75°-3T-100w-500CL-P90-50L-MAG	G00001-a6-T3-B1-Rm1-P3-L1	90°-3T-100w-500CL-P90-50L-MAG
G00001-a4-T4-B1-Rm1-P3-L1	60°-4T-100w-500CL-P90-50L-MAG	G00001-a5-T4-B1-Rm1-P3-L1	75°-4T-100w-500CL-P90-50L-MAG	G00001-a6-T4-B1-Rm1-P3-L1	90°-4T-100w-500CL-P90-50L-MAG
G00001-a4-T5-B1-Rm1-P3-L1	60°-5T-100w-500CL-P90-50L-MAG	G00001-a5-T5-B1-Rm1-P3-L1	75°-5T-100w-500CL-P90-50L-MAG	G00001-a6-T5-B1-Rm1-P3-L1	90°-5T-100w-500CL-P90-50L-MAG
G00001-a4-T6-B1-Rm1-P3-L1	60°-6T-100w-500CL-P90-50L-MAG	G00001-a5-T6-B1-Rm1-P3-L1	75°-6T-100w-500CL-P90-50L-MAG	G00001-a6-T6-B1-Rm1-P3-L1	90°-6T-100w-500CL-P90-50L-MAG
G00001-a4-T7-B1-Rm1-P3-L1	60°-7T-100w-500CL-P90-50L-MAG	G00001-a5-T7-B1-Rm1-P3-L1	75°-7T-100w-500CL-P90-50L-MAG	G00001-a6-T7-B1-Rm1-P3-L1	90°-7T-100w-500CL-P90-50L-MAG
G00001-a4-T8-B1-Rm1-P3-L1	60°-8T-100w-500CL-P90-50L-MAG	G00001-a5-T8-B1-Rm1-P3-L1	75°-8T-100w-500CL-P90-50L-MAG	G00001-a6-T8-B1-Rm1-P3-L1	90°-8T-100w-500CL-P90-50L-MAG

NON STANDARD SIZES ARE AVAILABLE ON REQUEST.
STANDARD ORDER QTY: PER SET

G00001

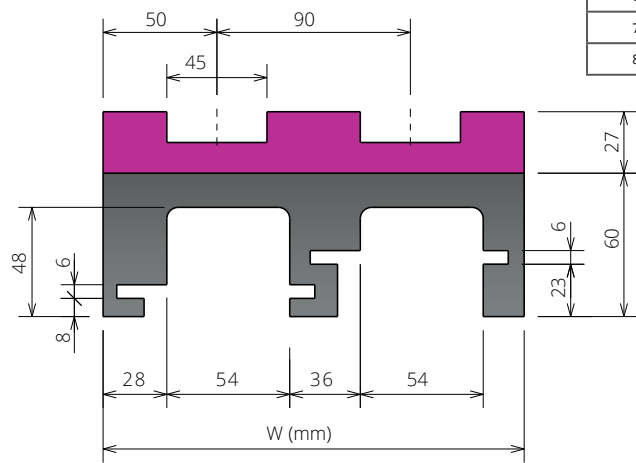
879M-K325 - 880M-K325 - 880M-K330 881M-K325
- 881M-K330 SERIES

MAGNETIC CURVES/BENDS -
500mm CENTERLINE - 100mm WIDE - 90mm
PITCH - 100mm LEAD IN AND LEAD OUT



SINGLE TRACK - G00001-a6-T1-B1-Rm1-P0-L2

TRACKS	W
1	100
2	190
3	280
4	370
5	460
6	550
7	640
8	730



MULTI TRACK - G00001-a6-T2-B1-Rm1-P3-L2

Rm = 500mm - MULTI TRACK - 100mm LEAD IN / LEAD OUT

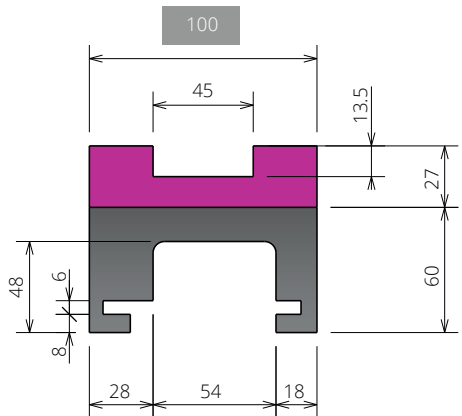
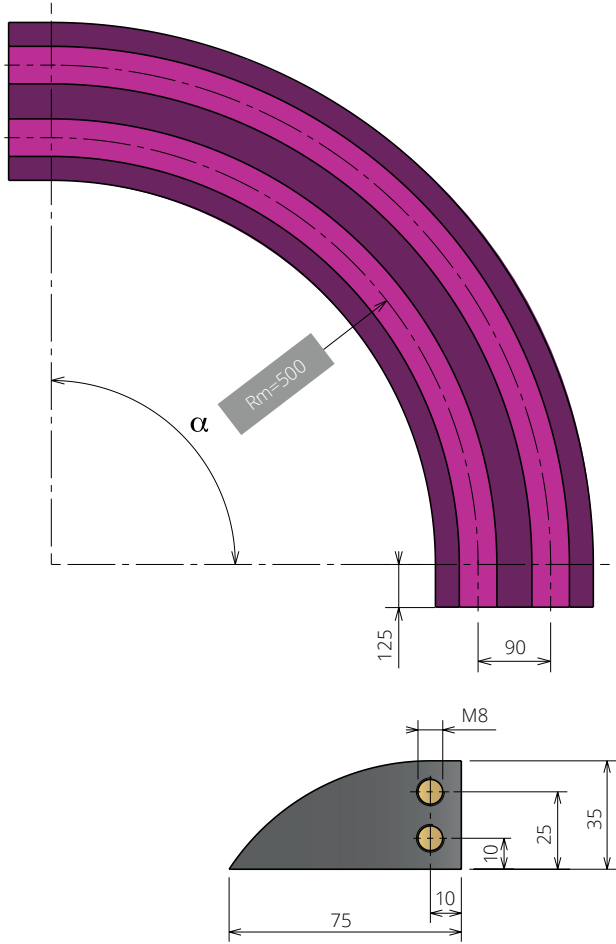
$\alpha 15^\circ$		$\alpha 30^\circ$		$\alpha 45^\circ$	
CODE	DESCRIPTION	CODE	DESCRIPTION	CODE	DESCRIPTION
G00001-a1-T1-B1-Rm1-P0-L2	15°-1T-100w-500CL-100L-MAG	G00001-a2-T1-B1-Rm1-P0-L2	30°-1T-100w-500CL-100L-MAG	G00001-a3-T1-B1-Rm1-P0-L2	45°-1T-100w-500CL-100L-MAG
G00001-a1-T2-B1-Rm1-P3-L2	15°-2T-100w-500CL-P90-100L-MAG	G00001-a2-T2-B1-Rm1-P3-L2	30°-2T-100w-500CL-P90-100L-MAG	G00001-a3-T2-B1-Rm1-P3-L2	45°-2T-100w-500CL-P90-100L-MAG
G00001-a1-T3-B1-Rm1-P3-L2	15°-3T-100w-500CL-P90-100L-MAG	G00001-a2-T3-B1-Rm1-P3-L2	30°-3T-100w-500CL-P90-100L-MAG	G00001-a3-T3-B1-Rm1-P3-L2	45°-3T-100w-500CL-P90-100L-MAG
G00001-a1-T4-B1-Rm1-P3-L2	15°-4T-100w-500CL-P90-100L-MAG	G00001-a2-T4-B1-Rm1-P3-L2	30°-4T-100w-500CL-P90-100L-MAG	G00001-a3-T4-B1-Rm1-P3-L2	45°-4T-100w-500CL-P90-100L-MAG
G00001-a1-T5-B1-Rm1-P3-L2	15°-5T-100w-500CL-P90-100L-MAG	G00001-a2-T5-B1-Rm1-P3-L2	30°-5T-100w-500CL-P90-100L-MAG	G00001-a3-T5-B1-Rm1-P3-L2	45°-5T-100w-500CL-P90-100L-MAG
G00001-a1-T6-B1-Rm1-P3-L2	15°-6T-100w-500CL-P90-100L-MAG	G00001-a2-T6-B1-Rm1-P3-L2	30°-6T-100w-500CL-P90-100L-MAG	G00001-a3-T6-B1-Rm1-P3-L2	45°-6T-100w-500CL-P90-100L-MAG
G00001-a1-T7-B1-Rm1-P3-L2	15°-7T-100w-500CL-P90-100L-MAG	G00001-a2-T7-B1-Rm1-P3-L2	30°-7T-100w-500CL-P90-100L-MAG	G00001-a3-T7-B1-Rm1-P3-L2	45°-7T-100w-500CL-P90-100L-MAG
G00001-a1-T8-B1-Rm1-P3-L2	15°-8T-100w-500CL-P90-100L-MAG	G00001-a2-T8-B1-Rm1-P3-L2	30°-8T-100w-500CL-P90-100L-MAG	G00001-a3-T8-B1-Rm1-P3-L2	45°-8T-100w-500CL-P90-100L-MAG
$\alpha 60^\circ$		$\alpha 75^\circ$		$\alpha 90^\circ$	
CODE	DESCRIPTION	CODE	DESCRIPTION	CODE	DESCRIPTION
G00001-a4-T1-B1-Rm1-P0-L2	60°-1T-100w-500CL-100L-MAG	G00001-a5-T1-B1-Rm1-P0-L2	75°-1T-100w-500CL-100L-MAG	G00001-a6-T1-B1-Rm1-P0-L2	90°-1T-100w-500CL-100L-MAG
G00001-a4-T2-B1-Rm1-P3-L2	60°-2T-100w-500CL-P90-100L-MAG	G00001-a5-T2-B1-Rm1-P3-L2	75°-2T-100w-500CL-P90-100L-MAG	G00001-a6-T2-B1-Rm1-P3-L2	90°-2T-100w-500CL-P90-100L-MAG
G00001-a4-T3-B1-Rm1-P3-L2	60°-3T-100w-500CL-P90-100L-MAG	G00001-a5-T3-B1-Rm1-P3-L2	75°-3T-100w-500CL-P90-100L-MAG	G00001-a6-T3-B1-Rm1-P3-L2	90°-3T-100w-500CL-P90-100L-MAG
G00001-a4-T4-B1-Rm1-P3-L2	60°-4T-100w-500CL-P90-100L-MAG	G00001-a5-T4-B1-Rm1-P3-L2	75°-4T-100w-500CL-P90-100L-MAG	G00001-a6-T4-B1-Rm1-P3-L2	90°-4T-100w-500CL-P90-100L-MAG
G00001-a4-T5-B1-Rm1-P3-L2	60°-5T-100w-500CL-P90-100L-MAG	G00001-a5-T5-B1-Rm1-P3-L2	75°-5T-100w-500CL-P90-100L-MAG	G00001-a6-T5-B1-Rm1-P3-L2	90°-5T-100w-500CL-P90-100L-MAG
G00001-a4-T6-B1-Rm1-P3-L2	60°-6T-100w-500CL-P90-100L-MAG	G00001-a5-T6-B1-Rm1-P3-L2	75°-6T-100w-500CL-P90-100L-MAG	G00001-a6-T6-B1-Rm1-P3-L2	90°-6T-100w-500CL-P90-100L-MAG
G00001-a4-T7-B1-Rm1-P3-L2	60°-7T-100w-500CL-P90-100L-MAG	G00001-a5-T7-B1-Rm1-P3-L2	75°-7T-100w-500CL-P90-100L-MAG	G00001-a6-T7-B1-Rm1-P3-L2	90°-7T-100w-500CL-P90-100L-MAG
G00001-a4-T8-B1-Rm1-P3-L2	60°-8T-100w-500CL-P90-100L-MAG	G00001-a5-T8-B1-Rm1-P3-L2	75°-8T-100w-500CL-P90-100L-MAG	G00001-a6-T8-B1-Rm1-P3-L2	90°-8T-100w-500CL-P90-100L-MAG

NON STANDARD SIZES ARE AVAILABLE ON REQUEST.
STANDARD ORDER QTY: PER SET

G00001

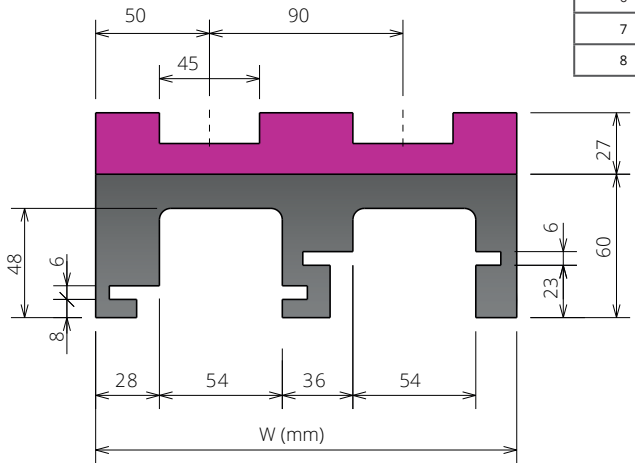
879M-K325 - 880M-K325 - 880M-K330 881M-K325
- 881M-K330 SERIES

MAGNETIC CURVES/BENDS -
500mm CENTERLINE - 100mm WIDE - 90mm
PITCH - 125mm LEAD IN AND LEAD OUT



SINGLE TRACK - G00001-a6-T1-B1-Rm1-P0-L3

TRACKS	W
1	100
2	190
3	280
4	370
5	460
6	550
7	640
8	730



MULTI TRACK - G00001-a6-T2-B1-Rm1-P3-L3

Rm = 500mm - MULTI TRACK - 125mm LEAD IN / LEAD OUT

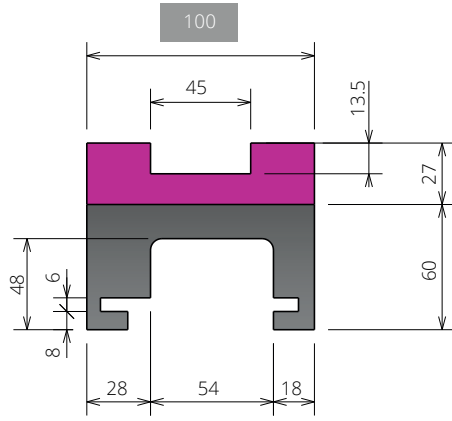
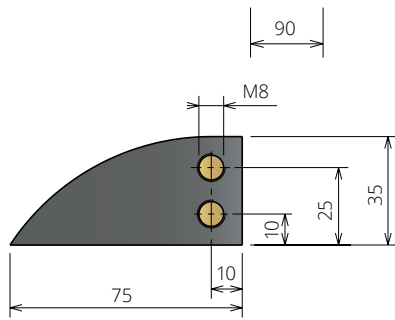
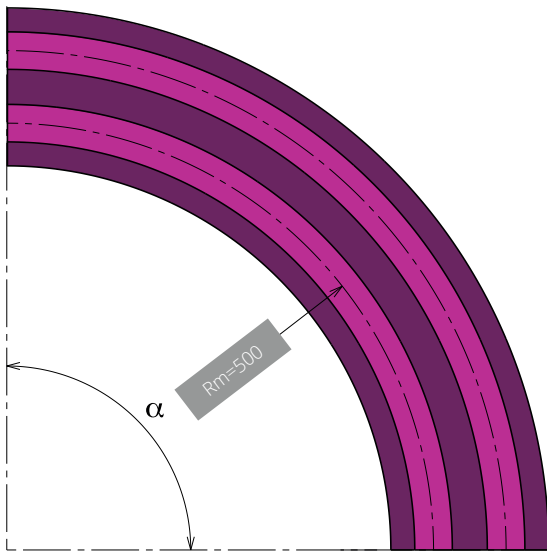
$\alpha 15^\circ$		$\alpha 30^\circ$		$\alpha 45^\circ$	
CODE	DESCRIPTION	CODE	DESCRIPTION	CODE	DESCRIPTION
G00001-a1-T1-B1-Rm1-P0-L3	15°-1T-100w-500CL-125L-MAG	G00001-a2-T1-B1-Rm1-P0-L3	30°-1T-100w-500CL-125L-MAG	G00001-a3-T1-B1-Rm1-P0-L3	45°-1T-100w-500CL-125L-MAG
G00001-a1-T2-B1-Rm1-P3-L3	15°-2T-100w-500CL-P90-125L-MAG	G00001-a2-T2-B1-Rm1-P3-L3	30°-2T-100w-500CL-P90-125L-MAG	G00001-a3-T2-B1-Rm1-P3-L3	45°-2T-100w-500CL-P90-125L-MAG
G00001-a1-T3-B1-Rm1-P3-L3	15°-3T-100w-500CL-P90-125L-MAG	G00001-a2-T3-B1-Rm1-P3-L3	30°-3T-100w-500CL-P90-125L-MAG	G00001-a3-T3-B1-Rm1-P3-L3	45°-3T-100w-500CL-P90-125L-MAG
G00001-a1-T4-B1-Rm1-P3-L3	15°-4T-100w-500CL-P90-125L-MAG	G00001-a2-T4-B1-Rm1-P3-L3	30°-4T-100w-500CL-P90-125L-MAG	G00001-a3-T4-B1-Rm1-P3-L3	45°-4T-100w-500CL-P90-125L-MAG
G00001-a1-T5-B1-Rm1-P3-L3	15°-5T-100w-500CL-P90-125L-MAG	G00001-a2-T5-B1-Rm1-P3-L3	30°-5T-100w-500CL-P90-125L-MAG	G00001-a3-T5-B1-Rm1-P3-L3	45°-5T-100w-500CL-P90-125L-MAG
G00001-a1-T6-B1-Rm1-P3-L3	15°-6T-100w-500CL-P90-125L-MAG	G00001-a2-T6-B1-Rm1-P3-L3	30°-6T-100w-500CL-P90-125L-MAG	G00001-a3-T6-B1-Rm1-P3-L3	45°-6T-100w-500CL-P90-125L-MAG
G00001-a1-T7-B1-Rm1-P3-L3	15°-7T-100w-500CL-P90-125L-MAG	G00001-a2-T7-B1-Rm1-P3-L3	30°-7T-100w-500CL-P90-125L-MAG	G00001-a3-T7-B1-Rm1-P3-L3	45°-7T-100w-500CL-P90-125L-MAG
G00001-a1-T8-B1-Rm1-P3-L3	15°-8T-100w-500CL-P90-125L-MAG	G00001-a2-T8-B1-Rm1-P3-L3	30°-8T-100w-500CL-P90-125L-MAG	G00001-a3-T8-B1-Rm1-P3-L3	45°-8T-100w-500CL-P90-125L-MAG
$\alpha 60^\circ$		$\alpha 75^\circ$		$\alpha 90^\circ$	
CODE	DESCRIPTION	CODE	DESCRIPTION	CODE	DESCRIPTION
G00001-a4-T1-B1-Rm1-P0-L3	60°-1T-100w-500CL-125L-MAG	G00001-a5-T1-B1-Rm1-P0-L3	75°-1T-100w-500CL-125L-MAG	G00001-a6-T1-B1-Rm1-P0-L3	90°-1T-100w-500CL-125L-MAG
G00001-a4-T2-B1-Rm1-P3-L3	60°-2T-100w-500CL-P90-125L-MAG	G00001-a5-T2-B1-Rm1-P3-L3	75°-2T-100w-500CL-P90-125L-MAG	G00001-a6-T2-B1-Rm1-P3-L3	90°-2T-100w-500CL-P90-125L-MAG
G00001-a4-T3-B1-Rm1-P3-L3	60°-3T-100w-500CL-P90-125L-MAG	G00001-a5-T3-B1-Rm1-P3-L3	75°-3T-100w-500CL-P90-125L-MAG	G00001-a6-T3-B1-Rm1-P3-L3	90°-3T-100w-500CL-P90-125L-MAG
G00001-a4-T4-B1-Rm1-P3-L3	60°-4T-100w-500CL-P90-125L-MAG	G00001-a5-T4-B1-Rm1-P3-L3	75°-4T-100w-500CL-P90-125L-MAG	G00001-a6-T4-B1-Rm1-P3-L3	90°-4T-100w-500CL-P90-125L-MAG
G00001-a4-T5-B1-Rm1-P3-L3	60°-5T-100w-500CL-P90-125L-MAG	G00001-a5-T5-B1-Rm1-P3-L3	75°-5T-100w-500CL-P90-125L-MAG	G00001-a6-T5-B1-Rm1-P3-L3	90°-5T-100w-500CL-P90-125L-MAG
G00001-a4-T6-B1-Rm1-P3-L3	60°-6T-100w-500CL-P90-125L-MAG	G00001-a5-T6-B1-Rm1-P3-L3	75°-6T-100w-500CL-P90-125L-MAG	G00001-a6-T6-B1-Rm1-P3-L3	90°-6T-100w-500CL-P90-125L-MAG
G00001-a4-T7-B1-Rm1-P3-L3	60°-7T-100w-500CL-P90-125L-MAG	G00001-a5-T7-B1-Rm1-P3-L3	75°-7T-100w-500CL-P90-125L-MAG	G00001-a6-T7-B1-Rm1-P3-L3	90°-7T-100w-500CL-P90-125L-MAG
G00001-a4-T8-B1-Rm1-P3-L3	60°-8T-100w-500CL-P90-125L-MAG	G00001-a5-T8-B1-Rm1-P3-L3	75°-8T-100w-500CL-P90-125L-MAG	G00001-a6-T8-B1-Rm1-P3-L3	90°-8T-100w-500CL-P90-125L-MAG

NON STANDARD SIZES ARE AVAILABLE ON REQUEST.
STANDARD ORDER QTY: PER SET

G00001

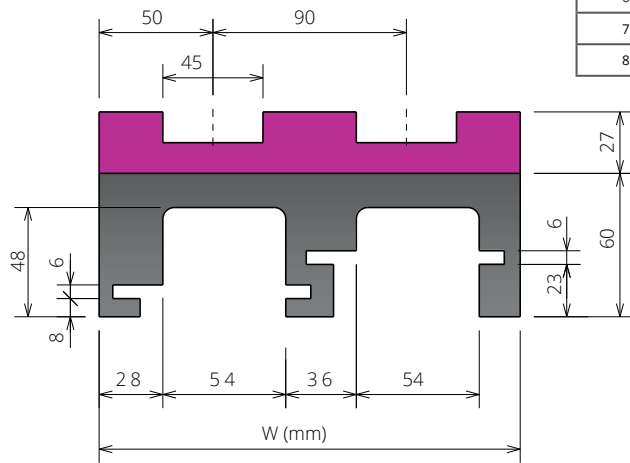
879M-K325 - 880M-K325 - 880M-K330 881M-K325
- 881M-K330 SERIES

MAGNETIC CURVES/BENDS -
500mm CENTERLINE - 100mm WIDE - 90mm
PITCH - NO LEAD IN AND LEAD OUT



SINGLE TRACK - G00001-a6-T1-B1-Rm1-P0-L0

TRACKS	W
1	100
2	190
3	280
4	370
5	460
6	550
7	640
8	730

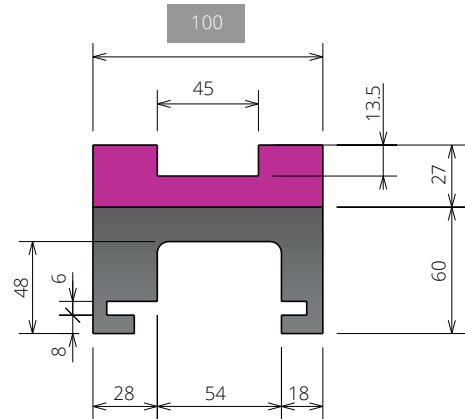
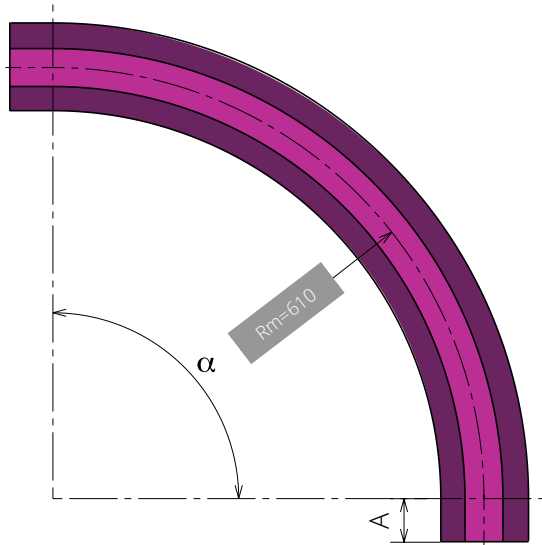


MULTI TRACK - G00001-a6-T2-B1-Rm1-P3-L0

Rm = 500mm - MULTI TRACK - NO LEAD IN / LEAD OUT

α 15°		α 30°		α 45°	
CODE	DESCRIPTION	CODE	DESCRIPTION	CODE	DESCRIPTION
G00001-a1-T1-B1-Rm1-P0-L0	15°-1T-100w-500CL-0L-MAG	G00001-a2-T1-B1-Rm1-P0-L0	30°-1T-100w-500CL-0L-MAG	G00001-a3-T1-B1-Rm1-P0-L0	45°-1T-100w-500CL-0L-MAG
G00001-a1-T2-B1-Rm1-P3-L0	15°-2T-100w-500CL-P90-0L-MAG	G00001-a2-T2-B1-Rm1-P3-L0	30°-2T-100w-500CL-P90-0L-MAG	G00001-a3-T2-B1-Rm1-P3-L0	45°-2T-100w-500CL-P90-0L-MAG
G00001-a1-T3-B1-Rm1-P3-L0	15°-3T-100w-500CL-P90-0L-MAG	G00001-a2-T3-B1-Rm1-P3-L0	30°-3T-100w-500CL-P90-0L-MAG	G00001-a3-T3-B1-Rm1-P3-L0	45°-3T-100w-500CL-P90-0L-MAG
G00001-a1-T4-B1-Rm1-P3-L0	15°-4T-100w-500CL-P90-0L-MAG	G00001-a2-T4-B1-Rm1-P3-L0	30°-4T-100w-500CL-P90-0L-MAG	G00001-a3-T4-B1-Rm1-P3-L0	45°-4T-100w-500CL-P90-0L-MAG
G00001-a1-T5-B1-Rm1-P3-L0	15°-5T-100w-500CL-P90-0L-MAG	G00001-a2-T5-B1-Rm1-P3-L0	30°-5T-100w-500CL-P90-0L-MAG	G00001-a3-T5-B1-Rm1-P3-L0	45°-5T-100w-500CL-P90-0L-MAG
G00001-a1-T6-B1-Rm1-P3-L0	15°-6T-100w-500CL-P90-0L-MAG	G00001-a2-T6-B1-Rm1-P3-L0	30°-6T-100w-500CL-P90-0L-MAG	G00001-a3-T6-B1-Rm1-P3-L0	45°-6T-100w-500CL-P90-0L-MAG
G00001-a1-T7-B1-Rm1-P3-L0	15°-7T-100w-500CL-P90-0L-MAG	G00001-a2-T7-B1-Rm1-P3-L0	30°-7T-100w-500CL-P90-0L-MAG	G00001-a3-T7-B1-Rm1-P3-L0	45°-7T-100w-500CL-P90-0L-MAG
G00001-a1-T8-B1-Rm1-P3-L0	15°-8T-100w-500CL-P90-0L-MAG	G00001-a2-T8-B1-Rm1-P3-L0	30°-8T-100w-500CL-P90-0L-MAG	G00001-a3-T8-B1-Rm1-P3-L0	45°-8T-100w-500CL-P90-0L-MAG
α 60°		α 75°		α 90°	
CODE	DESCRIPTION	CODE	DESCRIPTION	CODE	DESCRIPTION
G00001-a4-T1-B1-Rm1-P0-L0	60°-1T-100w-500CL-0L-MAG	G00001-a5-T1-B1-Rm1-P0-L0	75°-1T-100w-500CL-0L-MAG	G00001-a6-T1-B1-Rm1-P0-L0	90°-1T-100w-500CL-0L-MAG
G00001-a4-T2-B1-Rm1-P3-L0	60°-2T-100w-500CL-P90-0L-MAG	G00001-a5-T2-B1-Rm1-P3-L0	75°-2T-100w-500CL-P90-0L-MAG	G00001-a6-T2-B1-Rm1-P3-L0	90°-2T-100w-500CL-P90-0L-MAG
G00001-a4-T3-B1-Rm1-P3-L0	60°-3T-100w-500CL-P90-0L-MAG	G00001-a5-T3-B1-Rm1-P3-L0	75°-3T-100w-500CL-P90-0L-MAG	G00001-a6-T3-B1-Rm1-P3-L0	90°-3T-100w-500CL-P90-0L-MAG
G00001-a4-T4-B1-Rm1-P3-L0	60°-4T-100w-500CL-P90-0L-MAG	G00001-a5-T4-B1-Rm1-P3-L0	75°-4T-100w-500CL-P90-0L-MAG	G00001-a6-T4-B1-Rm1-P3-L0	90°-4T-100w-500CL-P90-0L-MAG
G00001-a4-T5-B1-Rm1-P3-L0	60°-5T-100w-500CL-P90-0L-MAG	G00001-a5-T5-B1-Rm1-P3-L0	75°-5T-100w-500CL-P90-0L-MAG	G00001-a6-T5-B1-Rm1-P3-L0	90°-5T-100w-500CL-P90-0L-MAG
G00001-a4-T6-B1-Rm1-P3-L0	60°-6T-100w-500CL-P90-0L-MAG	G00001-a5-T6-B1-Rm1-P3-L0	75°-6T-100w-500CL-P90-0L-MAG	G00001-a6-T6-B1-Rm1-P3-L0	90°-6T-100w-500CL-P90-0L-MAG
G00001-a4-T7-B1-Rm1-P3-L0	60°-7T-100w-500CL-P90-0L-MAG	G00001-a5-T7-B1-Rm1-P3-L0	75°-7T-100w-500CL-P90-0L-MAG	G00001-a6-T7-B1-Rm1-P3-L0	90°-7T-100w-500CL-P90-0L-MAG
G00001-a4-T8-B1-Rm1-P3-L0	60°-8T-100w-500CL-P90-0L-MAG	G00001-a5-T8-B1-Rm1-P3-L0	75°-8T-100w-500CL-P90-0L-MAG	G00001-a6-T8-B1-Rm1-P3-L0	90°-8T-100w-500CL-P90-0L-MAG

NON STANDARD SIZES ARE AVAILABLE ON REQUEST.
STANDARD ORDER QTY: PER SET



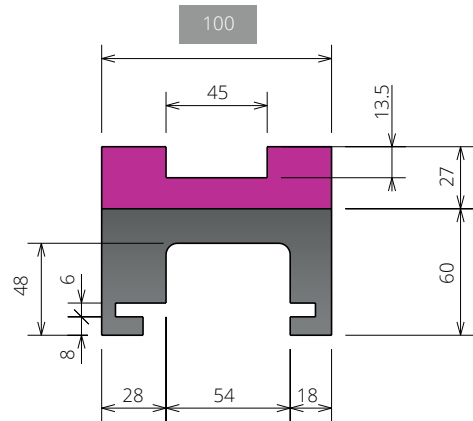
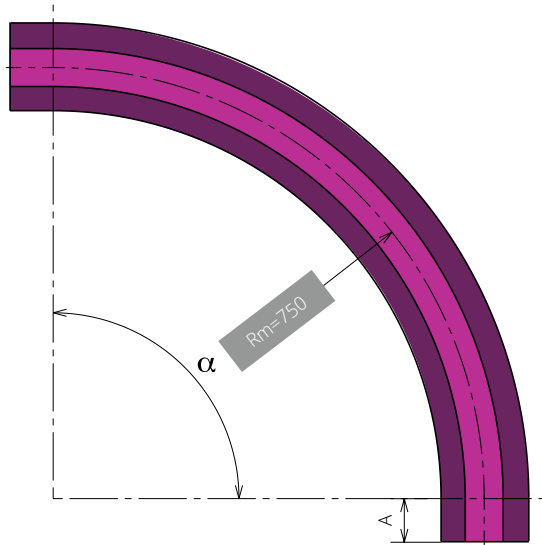
LEAD IN & OUT AVAILABLE IN
 125mm - 100mm - 50mm AND WITHOUT

Rm = 610mm - SINGLE TRACK

$\alpha 15^\circ$		$\alpha 30^\circ$		$\alpha 45^\circ$	
CODE	DESCRIPTION	CODE	DESCRIPTION	CODE	DESCRIPTION
G00001-a1-T1-B1-Rm2-P0-L0	15°-1T-100w-610CL-0L-MAG	G00001-a2-T1-B1-Rm2-P0-L0	30°-1T-100w-610CL-0L-MAG	G00001-a3-T1-B1-Rm2-P0-L0	45°-1T-100w-610CL-0L-MAG
G00001-a1-T1-B1-Rm2-P0-L1	15°-1T-100w-610CL-50L-MAG	G00001-a2-T1-B1-Rm2-P0-L1	30°-1T-100w-610CL-50L-MAG	G00001-a3-T1-B1-Rm2-P0-L1	45°-1T-100w-610CL-50L-MAG
G00001-a1-T1-B1-Rm2-P0-L2	15°-1T-100w-610CL-100L-MAG	G00001-a2-T1-B1-Rm2-P0-L2	30°-1T-100w-610CL-100L-MAG	G00001-a3-T1-B1-Rm2-P0-L2	45°-1T-100w-610CL-100L-MAG
G00001-a1-T1-B1-Rm2-P0-L3	15°-1T-100w-610CL-125L-MAG	G00001-a2-T1-B1-Rm2-P0-L3	30°-1T-100w-610CL-125L-MAG	G00001-a3-T1-B1-Rm2-P0-L3	45°-1T-100w-610CL-125L-MAG
$\alpha 60^\circ$		$\alpha 75^\circ$		$\alpha 90^\circ$	
CODE	DESCRIPTION	CODE	DESCRIPTION	CODE	DESCRIPTION
G00001-a4-T1-B1-Rm2-P0-L0	60°-1T-100w-610CL-0L-MAG	G00001-a5-T1-B1-Rm2-P0-L0	75°-1T-100w-610CL-0L-MAG	G00001-a6-T1-B1-Rm2-P0-L0	90°-1T-100w-610CL-0L-MAG
G00001-a4-T1-B1-Rm2-P0-L1	60°-1T-100w-610CL-50L-MAG	G00001-a5-T1-B1-Rm2-P0-L1	75°-1T-100w-610CL-50L-MAG	G00001-a6-T1-B1-Rm2-P0-L1	90°-1T-100w-610CL-50L-MAG
G00001-a4-T1-B1-Rm2-P0-L2	60°-1T-100w-610CL-100L-MAG	G00001-a5-T1-B1-Rm2-P0-L2	75°-1T-100w-610CL-100L-MAG	G00001-a6-T1-B1-Rm2-P0-L2	90°-1T-100w-610CL-100L-MAG
G00001-a4-T1-B1-Rm2-P0-L3	60°-1T-100w-610CL-125L-MAG	G00001-a5-T1-B1-Rm2-P0-L3	75°-1T-100w-610CL-125L-MAG	G00001-a6-T1-B1-Rm2-P0-L3	90°-1T-100w-610CL-125L-MAG

NON STANDARD SIZES ARE AVAILABLE ON REQUEST.
 STANDARD ORDER QTY: PER SET



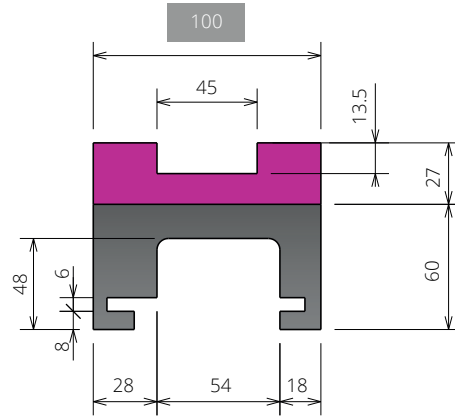
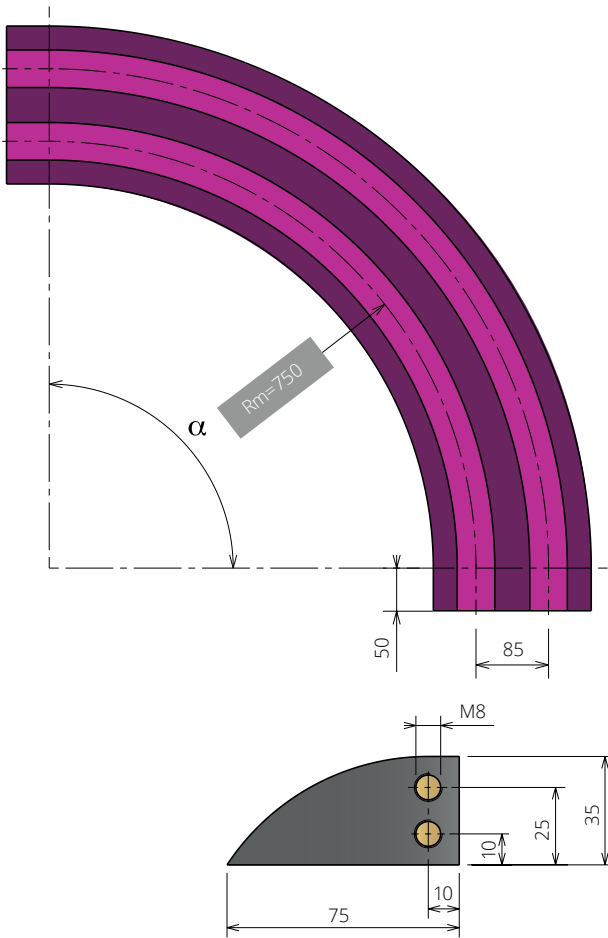


LEAD IN & OUT AVAILABLE IN
 125mm - 100mm - 50mm AND WITHOUT

Rm = 750mm - SINGLE TRACK

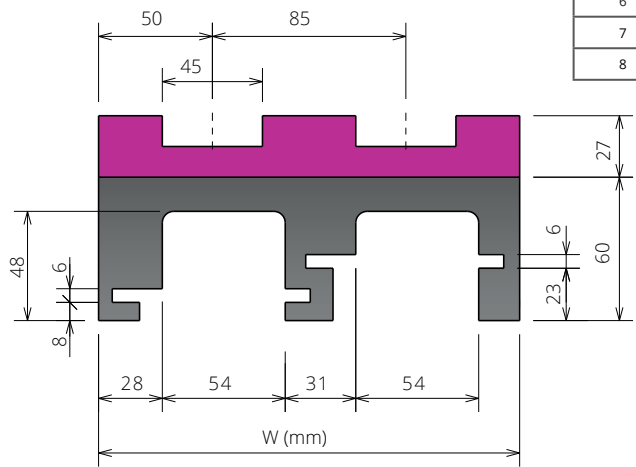
$\alpha 15^\circ$		$\alpha 30^\circ$		$\alpha 45^\circ$	
CODE	DESCRIPTION	CODE	DESCRIPTION	CODE	DESCRIPTION
G00001-a1-T1-B1-Rm4-P0-L0	15°-1T-100w-750CL-0L-MAG	G00001-a2-T1-B1-Rm4-P0-L0	30°-1T-100w-750CL-0L-MAG	G00001-a3-T1-B1-Rm4-P0-L0	45°-1T-100w-750CL-0L-MAG
G00001-a1-T1-B1-Rm4-P0-L1	15°-1T-100w-750CL-50L-MAG	G00001-a2-T1-B1-Rm4-P0-L1	30°-1T-100w-750CL-50L-MAG	G00001-a3-T1-B1-Rm4-P0-L1	45°-1T-100w-750CL-50L-MAG
G00001-a1-T1-B1-Rm4-P0-L2	15°-1T-100w-750CL-100L-MAG	G00001-a2-T1-B1-Rm4-P0-L2	30°-1T-100w-750CL-100L-MAG	G00001-a3-T1-B1-Rm4-P0-L2	45°-1T-100w-750CL-100L-MAG
G00001-a1-T1-B1-Rm4-P0-L3	15°-1T-100w-750CL-125L-MAG	G00001-a2-T1-B1-Rm4-P0-L3	30°-1T-100w-750CL-125L-MAG	G00001-a3-T1-B1-Rm4-P0-L3	45°-1T-100w-750CL-125L-MAG
$\alpha 60^\circ$		$\alpha 75^\circ$		$\alpha 90^\circ$	
CODE	DESCRIPTION	CODE	DESCRIPTION	CODE	DESCRIPTION
G00001-a4-T1-B1-Rm4-P0-L0	60°-1T-100w-750CL-0L-MAG	G00001-a5-T1-B1-Rm4-P0-L0	75°-1T-100w-750CL-0L-MAG	G00001-a6-T1-B1-Rm4-P0-L0	90°-1T-100w-750CL-0L-MAG
G00001-a4-T1-B1-Rm4-P0-L1	60°-1T-100w-750CL-50L-MAG	G00001-a5-T1-B1-Rm4-P0-L1	75°-1T-100w-750CL-50L-MAG	G00001-a6-T1-B1-Rm4-P0-L1	90°-1T-100w-750CL-50L-MAG
G00001-a4-T1-B1-Rm4-P0-L2	60°-1T-100w-750CL-100L-MAG	G00001-a5-T1-B1-Rm4-P0-L2	75°-1T-100w-750CL-100L-MAG	G00001-a6-T1-B1-Rm4-P0-L2	90°-1T-100w-750CL-100L-MAG
G00001-a4-T1-B1-Rm4-P0-L3	60°-1T-100w-750CL-125L-MAG	G00001-a5-T1-B1-Rm4-P0-L3	75°-1T-100w-750CL-125L-MAG	G00001-a6-T1-B1-Rm4-P0-L3	90°-1T-100w-750CL-125L-MAG

NON STANDARD SIZES ARE AVAILABLE ON REQUEST.
 STANDARD ORDER QTY: PER SET



SINGLE TRACK - G00001-a6-T1-B1-Rm4- P0- L1

TRACKS	W
1	100
2	185
3	270
4	355
5	440
6	525
7	610
8	695



MULTI TRACK - G00001-a6- T2-B1-Rm4-P1-L1

Rm = 750mm - MULTI TRACK - 50mm LEAD IN / LEAD OUT

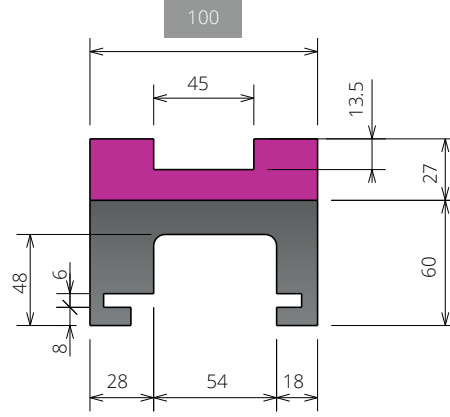
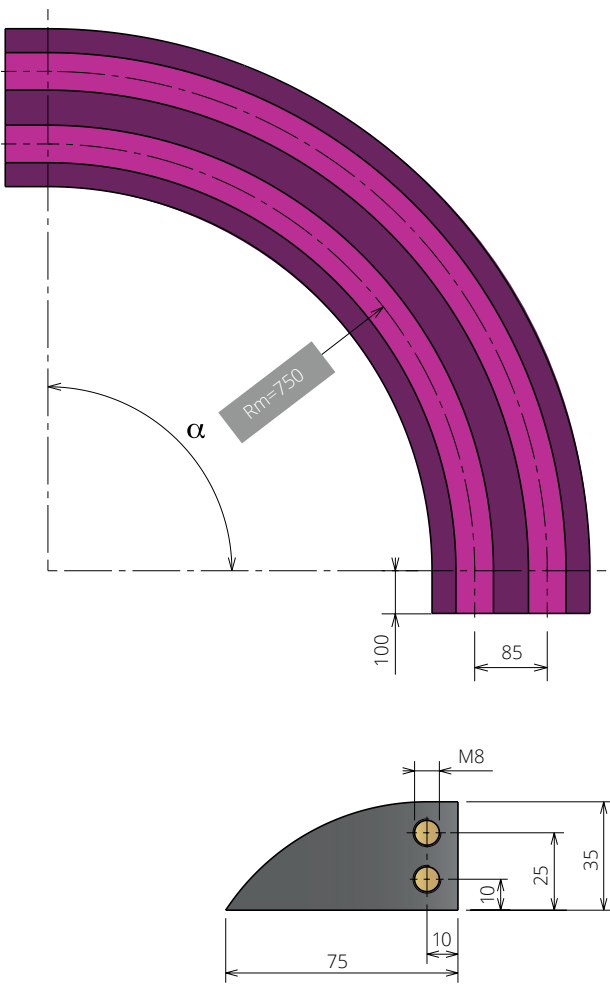
$\alpha 15^\circ$		$\alpha 30^\circ$		$\alpha 45^\circ$	
CODE	DESCRIPTION	CODE	DESCRIPTION	CODE	DESCRIPTION
G00001-a1-T1-B1-Rm4-P0-L1	15°-1T-100w-750CL-50L-MAG	G00001-a2-T1-B1-Rm4-P0-L1	30°-1T-100w-750CL- 50L-MAG	G00001-a3-T1-B1-Rm4-P0-L1	45°-1T-100w-750CL- 50L-MAG
G00001-a1-T2-B1-Rm4-P1-L1	15°-2T-100w-750CL-P85-50L-MAG	G00001-a2-T2-B1-Rm4-P1-L1	30°-2T-100w-750CL-P85-50L-MAG	G00001-a3-T2-B1-Rm4-P1-L1	45°-2T-100w-750CL-P85-50L-MAG
G00001-a1-T3-B1-Rm4-P1-L1	15°-3T-100w-750CL-P85-50L-MAG	G00001-a2-T3-B1-Rm4-P1-L1	30°-3T-100w-750CL-P85-50L-MAG	G00001-a3-T3-B1-Rm4-P1-L1	45°-3T-100w-750CL-P85-50L-MAG
G00001-a1-T4-B1-Rm4-P1-L1	15°-4T-100w-750CL-P85-50L-MAG	G00001-a2-T4-B1-Rm4-P1-L1	30°-4T-100w-750CL-P85-50L-MAG	G00001-a3-T4-B1-Rm4-P1-L1	45°-4T-100w-750CL-P85-50L-MAG
G00001-a1-T5-B1-Rm4-P1-L1	15°-5T-100w-750CL-P85-50L-MAG	G00001-a2-T5-B1-Rm4-P1-L1	30°-5T-100w-750CL-P85-50L-MAG	G00001-a3-T5-B1-Rm4-P1-L1	45°-5T-100w-750CL-P85-50L-MAG
G00001-a1-T6-B1-Rm4-P1-L1	15°-6T-100w-750CL-P85-50L-MAG	G00001-a2-T6-B1-Rm4-P1-L1	30°-6T-100w-750CL-P85-50L-MAG	G00001-a3-T6-B1-Rm4-P1-L1	45°-6T-100w-750CL-P85-50L-MAG
G00001-a1-T7-B1-Rm4-P1-L1	15°-7T-100w-750CL-P85-50L-MAG	G00001-a2-T7-B1-Rm4-P1-L1	30°-7T-100w-750CL-P85-50L-MAG	G00001-a3-T7-B1-Rm4-P1-L1	45°-7T-100w-750CL-P85-50L-MAG
G00001-a1-T8-B1-Rm4-P1-L1	15°-8T-100w-750CL-P85-50L-MAG	G00001-a2-T8-B1-Rm4-P1-L1	30°-8T-100w-750CL-P85-50L-MAG	G00001-a3-T8-B1-Rm4-P1-L1	45°-8T-100w-750CL-P85-50L-MAG
$\alpha 60^\circ$		$\alpha 75^\circ$		$\alpha 90^\circ$	
CODE	DESCRIPTION	CODE	DESCRIPTION	CODE	DESCRIPTION
G00001-a4-T1-B1-Rm4-P0-L1	60°-1T-100w-750CL-50L-MAG	G00001-a5-T1-B1-Rm4-P0-L1	75°-1T-100w-750CL-50L-MAG	G00001-a6-T1-B1-Rm4-P0-L1	90°-1T-100w-750CL- 50L-MAG
G00001-a4-T2-B1-Rm4-P1-L1	60°-2T-100w-750CL-P85-50L-MAG	G00001-a5-T2-B1-Rm4-P1-L1	75°-2T-100w-750CL-P85-50L-MAG	G00001-a6-T2-B1-Rm4-P1-L1	90°-2T-100w-750CL-P85-50L-MAG
G00001-a4-T3-B1-Rm4-P1-L1	60°-3T-100w-750CL-P85-50L-MAG	G00001-a5-T3-B1-Rm4-P1-L1	75°-3T-100w-750CL-P85-50L-MAG	G00001-a6-T3-B1-Rm4-P1-L1	90°-3T-100w-750CL-P85-50L-MAG
G00001-a4-T4-B1-Rm4-P1-L1	60°-4T-100w-750CL-P85-50L-MAG	G00001-a5-T4-B1-Rm4-P1-L1	75°-4T-100w-750CL-P85-50L-MAG	G00001-a6-T4-B1-Rm4-P1-L1	90°-4T-100w-750CL-P85-50L-MAG
G00001-a4-T5-B1-Rm4-P1-L1	60°-5T-100w-750CL-P85-50L-MAG	G00001-a5-T5-B1-Rm4-P1-L1	75°-5T-100w-750CL-P85-50L-MAG	G00001-a6-T5-B1-Rm4-P1-L1	90°-5T-100w-750CL-P85-50L-MAG
G00001-a4-T6-B1-Rm4-P1-L1	60°-6T-100w-750CL-P85-50L-MAG	G00001-a5-T6-B1-Rm4-P1-L1	75°-6T-100w-750CL-P85-50L-MAG	G00001-a6-T6-B1-Rm4-P1-L1	90°-6T-100w-750CL-P85-50L-MAG
G00001-a4-T7-B1-Rm4-P1-L1	60°-7T-100w-750CL-P85-50L-MAG	G00001-a5-T7-B1-Rm4-P1-L1	75°-7T-100w-750CL-P85-50L-MAG	G00001-a6-T7-B1-Rm4-P1-L1	90°-7T-100w-750CL-P85-50L-MAG
G00001-a4-T8-B1-Rm4-P1-L1	60°-8T-100w-750CL-P85-50L-MAG	G00001-a5-T8-B1-Rm4-P1-L1	75°-8T-100w-750CL-P85-50L-MAG	G00001-a6-T8-B1-Rm4-P1-L1	90°-8T-100w-750CL-P85-50L-MAG

NON STANDARD SIZES ARE AVAILABLE ON REQUEST.
 STANDARD ORDER QTY: PER SET

G00001

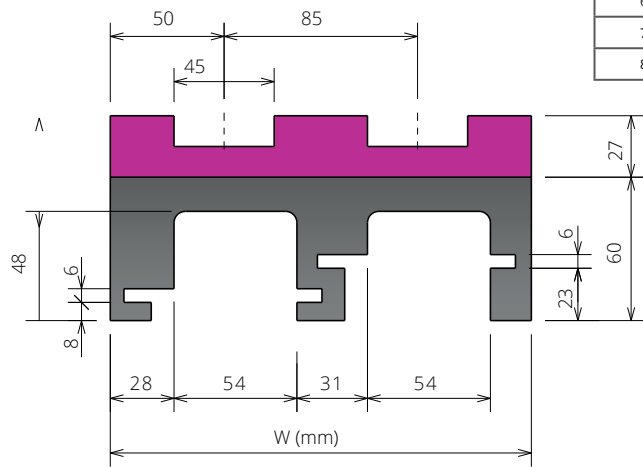
879M-K325 - 880M-K325 - 880M-K330 881M-K325
- 881M-K330 SERIES

MAGNETIC CURVES/BENDS -
750mm CENTERLINE - 100mm WIDE - 85mm
PITCH - 100mm LEAD IN AND LEAD OUT



SINGLE TRACK - G00001-a6-T1-B1-Rm4- P0- L2

TRACKS	W
1	100
2	185
3	270
4	355
5	440
6	525
7	610
8	695



MULTI TRACK - G00001-a6- T2-B1-Rm4-P1-L2

Rm = 750mm - MULTI TRACK - 100mm LEAD IN / LEAD OUT

α 15°		α 30°		α 45°	
CODE	DESCRIPTION	CODE	DESCRIPTION	CODE	DESCRIPTION
G00001-a1-T1-B1-Rm4-P0-L2	15°-1T-100w-750CL-100L-MAG	G00001-a2-T1-B1-Rm4-P0-L2	30°-1T-100w-750CL-100L-MAG	G00001-a3-T1-B1-Rm4-P0-L2	45°-1T-100w-750CL-100L-MAG
G00001-a1-T2-B1-Rm4-P1-L2	15°-2T-100w-750CL-P85-100L-MAG	G00001-a2-T2-B1-Rm4-P1-L2	30°-2T-100w-750CL-P85-100L-MAG	G00001-a3-T2-B1-Rm4-P1-L2	45°-2T-100w-750CL-P85-100L-MAG
G00001-a1-T3-B1-Rm4-P1-L2	15°-3T-100w-750CL-P85-100L-MAG	G00001-a2-T3-B1-Rm4-P1-L2	30°-3T-100w-750CL-P85-100L-MAG	G00001-a3-T3-B1-Rm4-P1-L2	45°-3T-100w-750CL-P85-100L-MAG
G00001-a1-T4-B1-Rm4-P1-L2	15°-4T-100w-750CL-P85-100L-MAG	G00001-a2-T4-B1-Rm4-P1-L2	30°-4T-100w-750CL-P85-100L-MAG	G00001-a3-T4-B1-Rm4-P1-L2	45°-4T-100w-750CL-P85-100L-MAG
G00001-a1-T5-B1-Rm4-P1-L2	15°-5T-100w-750CL-P85-100L-MAG	G00001-a2-T5-B1-Rm4-P1-L2	30°-5T-100w-750CL-P85-100L-MAG	G00001-a3-T5-B1-Rm4-P1-L2	45°-5T-100w-750CL-P85-100L-MAG
G00001-a1-T6-B1-Rm4-P1-L2	15°-6T-100w-750CL-P85-100L-MAG	G00001-a2-T6-B1-Rm4-P1-L2	30°-6T-100w-750CL-P85-100L-MAG	G00001-a3-T6-B1-Rm4-P1-L2	45°-6T-100w-750CL-P85-100L-MAG
G00001-a1-T7-B1-Rm4-P1-L2	15°-7T-100w-750CL-P85-100L-MAG	G00001-a2-T7-B1-Rm4-P1-L2	30°-7T-100w-750CL-P85-100L-MAG	G00001-a3-T7-B1-Rm4-P1-L2	45°-7T-100w-750CL-P85-100L-MAG
G00001-a1-T8-B1-Rm4-P1-L2	15°-8T-100w-750CL-P85-100L-MAG	G00001-a2-T8-B1-Rm4-P1-L2	30°-8T-100w-750CL-P85-100L-MAG	G00001-a3-T8-B1-Rm4-P1-L2	45°-8T-100w-750CL-P85-100L-MAG
α 60°		α 75°		α 90°	
CODE	DESCRIPTION	CODE	DESCRIPTION	CODE	DESCRIPTION
G00001-a4-T1-B1-Rm4-P0-L2	60°-1T-100w-750CL-100L-MAG	G00001-a5-T1-B1-Rm4-P0-L2	75°-1T-100w-750CL-100L-MAG	G00001-a6-T1-B1-Rm4-P0-L2	90°-1T-100w-750CL-100L-MAG
G00001-a4-T2-B1-Rm4-P1-L2	60°-2T-100w-750CL-P85-100L-MAG	G00001-a5-T2-B1-Rm4-P1-L2	75°-2T-100w-750CL-P85-100L-MAG	G00001-a6-T2-B1-Rm4-P1-L2	90°-2T-100w-750CL-P85-100L-MAG
G00001-a4-T3-B1-Rm4-P1-L2	60°-3T-100w-750CL-P85-100L-MAG	G00001-a5-T3-B1-Rm4-P1-L2	75°-3T-100w-750CL-P85-100L-MAG	G00001-a6-T3-B1-Rm4-P1-L2	90°-3T-100w-750CL-P85-100L-MAG
G00001-a4-T4-B1-Rm4-P1-L2	60°-4T-100w-750CL-P85-100L-MAG	G00001-a5-T4-B1-Rm4-P1-L2	75°-4T-100w-750CL-P85-100L-MAG	G00001-a6-T4-B1-Rm4-P1-L2	90°-4T-100w-750CL-P85-100L-MAG
G00001-a4-T5-B1-Rm4-P1-L2	60°-5T-100w-750CL-P85-100L-MAG	G00001-a5-T5-B1-Rm4-P1-L2	75°-5T-100w-750CL-P85-100L-MAG	G00001-a6-T5-B1-Rm4-P1-L2	90°-5T-100w-750CL-P85-100L-MAG
G00001-a4-T6-B1-Rm4-P1-L2	60°-6T-100w-750CL-P85-100L-MAG	G00001-a5-T6-B1-Rm4-P1-L2	75°-6T-100w-750CL-P85-100L-MAG	G00001-a6-T6-B1-Rm4-P1-L2	90°-6T-100w-750CL-P85-100L-MAG
G00001-a4-T7-B1-Rm4-P1-L2	60°-7T-100w-750CL-P85-100L-MAG	G00001-a5-T7-B1-Rm4-P1-L2	75°-7T-100w-750CL-P85-100L-MAG	G00001-a6-T7-B1-Rm4-P1-L2	90°-7T-100w-750CL-P85-100L-MAG
G00001-a4-T8-B1-Rm4-P1-L2	60°-8T-100w-750CL-P85-100L-MAG	G00001-a5-T8-B1-Rm4-P1-L2	75°-8T-100w-750CL-P85-100L-MAG	G00001-a6-T8-B1-Rm4-P1-L2	90°-8T-100w-750CL-P85-100L-MAG

NON STANDARD SIZES ARE AVAILABLE ON REQUEST.
STANDARD ORDER QTY: PER SET



CHAINS/BELTS
PG. A8 & PG. B11



MATERIALS

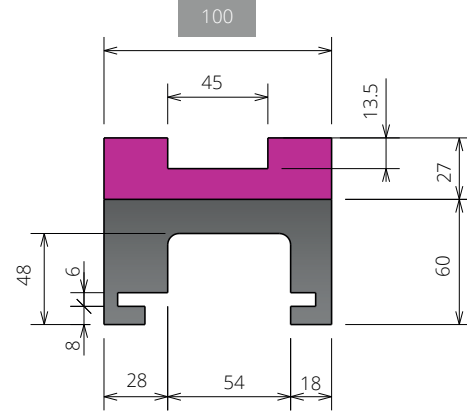
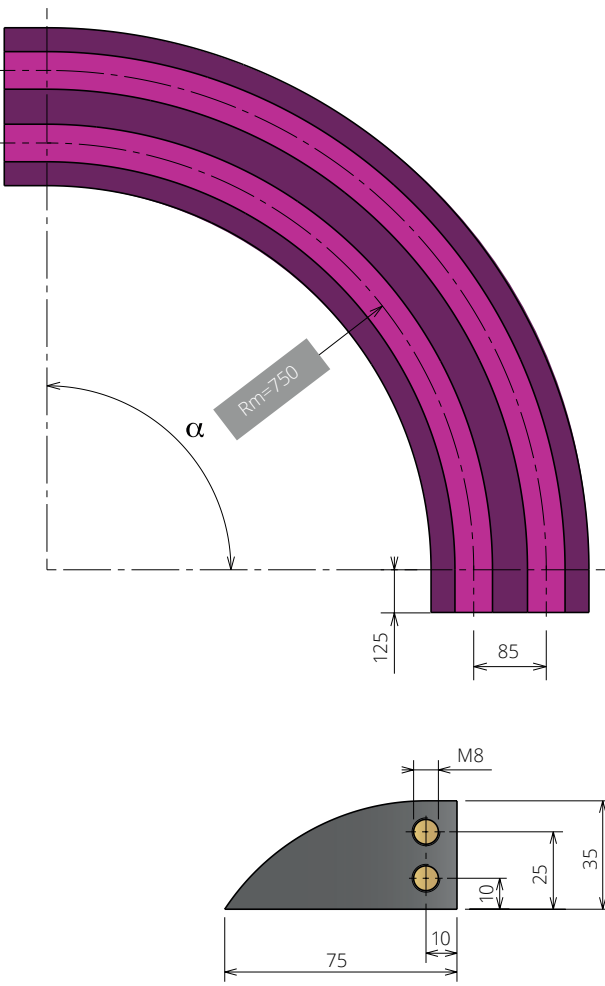


TABLE OF
CONTENTS



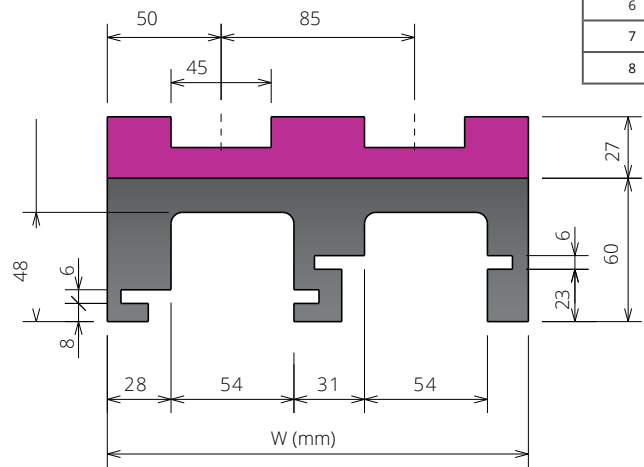
BACK TO CORNER TRACKS/
CURVES/BENDS INDEX (G)

WWW.IRP.CO.ZA



SINGLE TRACK - G00001-a6-T1-B1-Rm4- P0- L3

TRACKS	W
1	100
2	185
3	270
4	355
5	440
6	525
7	610
8	695

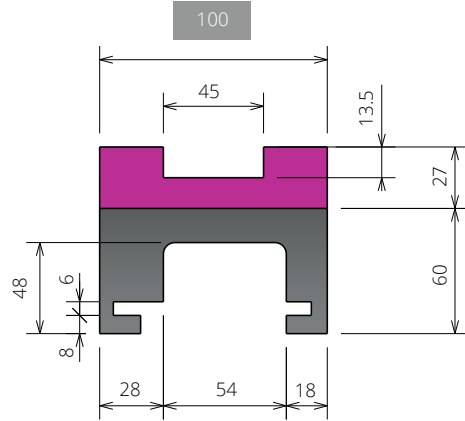
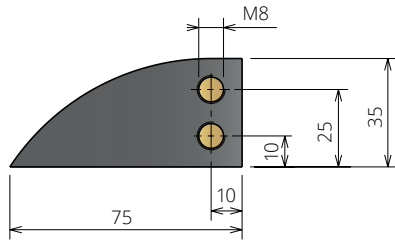
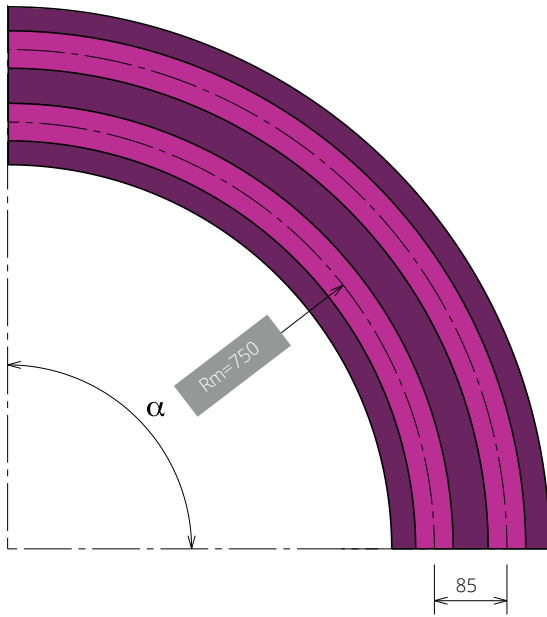


MULTI TRACK - G00001-a6- T2-B1-Rm4-P1-L3

Rm = 750mm - MULTI TRACK - 125mm LEAD IN / LEAD OUT

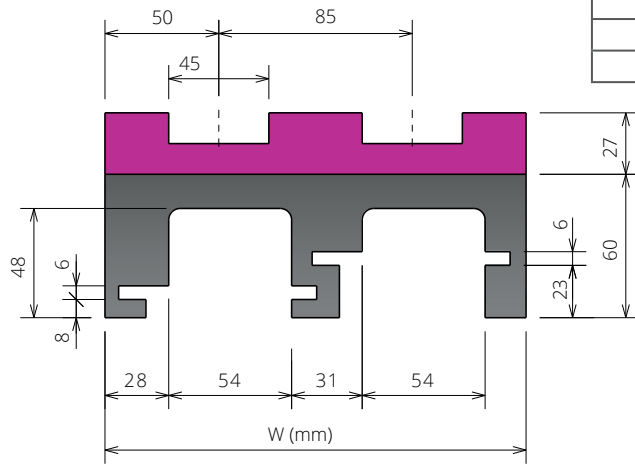
$\alpha 15^\circ$		$\alpha 30^\circ$		$\alpha 45^\circ$	
CODE	DESCRIPTION	CODE	DESCRIPTION	CODE	DESCRIPTION
G00001-a1-T1-B1-Rm4- P0-L3	15°-1T-100w-750CL-125L-MAG	G00001-a2-T1-B1-Rm4- P0-L3	30°-1T-100w-750CL-125L-MAG	G00001-a3-T1-B1-Rm4-P0-L3	45°-1T-100w-750CL-125L-MAG
G00001-a1-T2-B1-Rm4-P1-L3	15°-2T-100w-750CL-P85-125L-MAG	G00001-a2-T2-B1-Rm4-P1-L3	30°-2T-100w-750CL-P85-125L-MAG	G00001-a3-T2-B1-Rm4-P1-L3	45°-2T-100w-750CL-P85-125L-MAG
G00001-a1-T3-B1-Rm4-P1-L3	15°-3T-100w-750CL-P85-125L-MAG	G00001-a2-T3-B1-Rm4-P1-L3	30°-3T-100w-750CL-P85-125L-MAG	G00001-a3-T3-B1-Rm4-P1-L3	45°-3T-100w-750CL-P85-125L-MAG
G00001-a1-T4-B1-Rm4-P1-L3	15°-4T-100w-750CL-P85-125L-MAG	G00001-a2-T4-B1-Rm4-P1-L3	30°-4T-100w-750CL-P85-125L-MAG	G00001-a3-T4-B1-Rm4-P1-L3	45°-4T-100w-750CL-P85-125L-MAG
G00001-a1-T5-B1-Rm4-P1-L3	15°-5T-100w-750CL-P85-125L-MAG	G00001-a2-T5-B1-Rm4-P1-L3	30°-5T-100w-750CL-P85-125L-MAG	G00001-a3-T5-B1-Rm4-P1-L3	45°-5T-100w-750CL-P85-125L-MAG
G00001-a1-T6-B1-Rm4-P1-L3	15°-6T-100w-750CL-P85-125L-MAG	G00001-a2-T6-B1-Rm4-P1-L3	30°-6T-100w-750CL-P85-125L-MAG	G00001-a3-T6-B1-Rm4-P1-L3	45°-6T-100w-750CL-P85-125L-MAG
G00001-a1-T7-B1-Rm4-P1-L3	15°-7T-100w-750CL-P85-125L-MAG	G00001-a2-T7-B1-Rm4-P1-L3	30°-7T-100w-750CL-P85-125L-MAG	G00001-a3-T7-B1-Rm4-P1-L3	45°-7T-100w-750CL-P85-125L-MAG
G00001-a1-T8-B1-Rm4-P1-L3	15°-8T-100w-750CL-P85-125L-MAG	G00001-a2-T8-B1-Rm4-P1-L3	30°-8T-100w-750CL-P85-125L-MAG	G00001-a3-T8-B1-Rm4-P1-L3	45°-8T-100w-750CL-P85-125L-MAG
$\alpha 60^\circ$		$\alpha 75^\circ$		$\alpha 90^\circ$	
CODE	DESCRIPTION	CODE	DESCRIPTION	CODE	DESCRIPTION
G00001-a4-T1-B1-Rm4-P0-L3	60°-1T-100w-750CL-125L-MAG	G00001-a5-T1-B1-Rm4-P0-L3	75°-1T-100w-750CL-125L-MAG	G00001-a6-T1-B1-Rm4-P0-L3	90°-1T-100w-750CL-125L-MAG
G00001-a4-T2-B1-Rm4-P1-L3	60°-2T-100w-750CL-P85-125L-MAG	G00001-a5-T2-B1-Rm4-P1-L3	75°-2T-100w-750CL-P85-125L-MAG	G00001-a6-T2-B1-Rm4-P1-L3	90°-2T-100w-750CL-P85-125L-MAG
G00001-a4-T3-B1-Rm4-P1-L3	60°-3T-100w-750CL-P85-125L-MAG	G00001-a5-T3-B1-Rm4-P1-L3	75°-3T-100w-750CL-P85-125L-MAG	G00001-a6-T3-B1-Rm4-P1-L3	90°-3T-100w-750CL-P85-125L-MAG
G00001-a4-T4-B1-Rm4-P1-L3	60°-4T-100w-750CL-P85-125L-MAG	G00001-a5-T4-B1-Rm4-P1-L3	75°-4T-100w-750CL-P85-125L-MAG	G00001-a6-T4-B1-Rm4-P1-L3	90°-4T-100w-750CL-P85-125L-MAG
G00001-a4-T5-B1-Rm4-P1-L3	60°-5T-100w-750CL-P85-125L-MAG	G00001-a5-T5-B1-Rm4-P1-L3	75°-5T-100w-750CL-P85-125L-MAG	G00001-a6-T5-B1-Rm4-P1-L3	90°-5T-100w-750CL-P85-125L-MAG
G00001-a4-T6-B1-Rm4-P1-L3	60°-6T-100w-750CL-P85-125L-MAG	G00001-a5-T6-B1-Rm4-P1-L3	75°-6T-100w-750CL-P85-125L-MAG	G00001-a6-T6-B1-Rm4-P1-L3	90°-6T-100w-750CL-P85-125L-MAG
G00001-a4-T7-B1-Rm4-P1-L3	60°-7T-100w-750CL-P85-125L-MAG	G00001-a5-T7-B1-Rm4-P1-L3	75°-7T-100w-750CL-P85-125L-MAG	G00001-a6-T7-B1-Rm4-P1-L3	90°-7T-100w-750CL-P85-125L-MAG
G00001-a4-T8-B1-Rm4-P1-L3	60°-8T-100w-750CL-P85-125L-MAG	G00001-a5-T8-B1-Rm4-P1-L3	75°-8T-100w-750CL-P85-125L-MAG	G00001-a6-T8-B1-Rm4-P1-L3	90°-8T-100w-750CL-P85-125L-MAG

NON STANDARD SIZES ARE AVAILABLE ON REQUEST.
 STANDARD ORDER QTY: PER SET



SINGLE TRACK - G00001-a6-T1-B1-Rm4- P0-L0

TRACKS	W
1	100
2	185
3	270
4	355
5	440
6	525
7	610
8	695

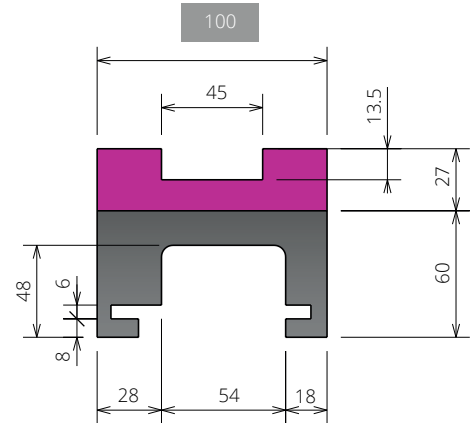
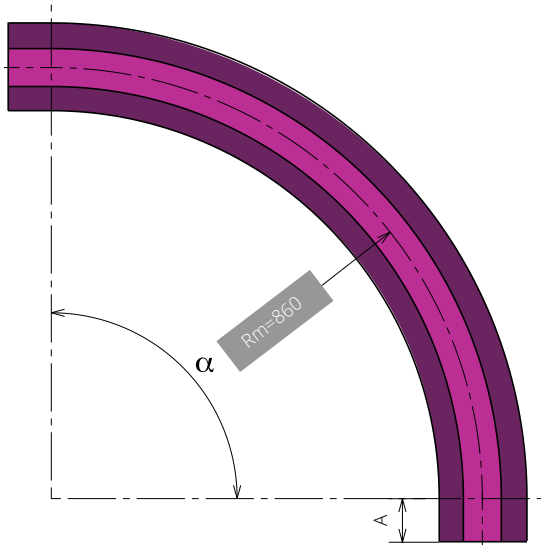


MULTI TRACK - G00001-a6-T2-B1-Rm4-P1-L0

Rm = 750mm - MULTI TRACK - NO LEAD IN / LEAD OUT

$\alpha 15^\circ$		$\alpha 30^\circ$		$\alpha 45^\circ$	
CODE	DESCRIPTION	CODE	DESCRIPTION	CODE	DESCRIPTION
G00001-a1-T1-B1-Rm4-P0-L0	15°-1T-100w-750CL-0L-MAG	G00001-a2-T1-B1-Rm4-P0-L0	30°-1T-100w-750CL-0L-MAG	G00001-a3-T1-B1-Rm4-P0-L0	45°-1T-100w-750CL-0L-MAG
G00001-a1-T2-B1-Rm4-P1-L0	15°-2T-100w-750CL-P85-0L-MAG	G00001-a2-T2-B1-Rm4-P1-L0	30°-2T-100w-750CL-P85-0L-MAG	G00001-a3-T2-B1-Rm4-P1-L0	45°-2T-100w-750CL-P85-0L-MAG
G00001-a1-T3-B1-Rm4-P1-L0	15°-3T-100w-750CL-P85-0L-MAG	G00001-a2-T3-B1-Rm4-P1-L0	30°-3T-100w-750CL-P85-0L-MAG	G00001-a3-T3-B1-Rm4-P1-L0	45°-3T-100w-750CL-P85-0L-MAG
G00001-a1-T4-B1-Rm4-P1-L0	15°-4T-100w-750CL-P85-0L-MAG	G00001-a2-T4-B1-Rm4-P1-L0	30°-4T-100w-750CL-P85-0L-MAG	G00001-a3-T4-B1-Rm4-P1-L0	45°-4T-100w-750CL-P85-0L-MAG
G00001-a1-T5-B1-Rm4-P1-L0	15°-5T-100w-750CL-P85-0L-MAG	G00001-a2-T5-B1-Rm4-P1-L0	30°-5T-100w-750CL-P85-0L-MAG	G00001-a3-T5-B1-Rm4-P1-L0	45°-5T-100w-750CL-P85-0L-MAG
G00001-a1-T6-B1-Rm4-P1-L0	15°-6T-100w-750CL-P85-0L-MAG	G00001-a2-T6-B1-Rm4-P1-L0	30°-6T-100w-750CL-P85-0L-MAG	G00001-a3-T6-B1-Rm4-P1-L0	45°-6T-100w-750CL-P85-0L-MAG
G00001-a1-T7-B1-Rm4-P1-L0	15°-7T-100w-750CL-P85-0L-MAG	G00001-a2-T7-B1-Rm4-P1-L0	30°-7T-100w-750CL-P85-0L-MAG	G00001-a3-T7-B1-Rm4-P1-L0	45°-7T-100w-750CL-P85-0L-MAG
G00001-a1-T8-B1-Rm4-P1-L0	15°-8T-100w-750CL-P85-0L-MAG	G00001-a2-T8-B1-Rm4-P1-L0	30°-8T-100w-750CL-P85-0L-MAG	G00001-a3-T8-B1-Rm4-P1-L0	45°-8T-100w-750CL-P85-0L-MAG
$\alpha 60^\circ$		$\alpha 75^\circ$		$\alpha 90^\circ$	
CODE	DESCRIPTION	CODE	DESCRIPTION	CODE	DESCRIPTION
G00001-a4-T1-B1-Rm4-P0-L0	60°-1T-100w-750CL-0L-MAG	G00001-a5-T1-B1-Rm4-P0-L0	75°-1T-100w-750CL-0L-MAG	G00001-a6-T1-B1-Rm4-P0-L0	90°-1T-100w-750CL-0L-MAG
G00001-a4-T2-B1-Rm4-P1-L0	60°-2T-100w-750CL-P85-0L-MAG	G00001-a5-T2-B1-Rm4-P1-L0	75°-2T-100w-750CL-P85-0L-MAG	G00001-a6-T2-B1-Rm4-P1-L0	90°-2T-100w-750CL-P85-0L-MAG
G00001-a4-T3-B1-Rm4-P1-L0	60°-3T-100w-750CL-P85-0L-MAG	G00001-a5-T3-B1-Rm4-P1-L0	75°-3T-100w-750CL-P85-0L-MAG	G00001-a6-T3-B1-Rm4-P1-L0	90°-3T-100w-750CL-P85-0L-MAG
G00001-a4-T4-B1-Rm4-P1-L0	60°-4T-100w-750CL-P85-0L-MAG	G00001-a5-T4-B1-Rm4-P1-L0	75°-4T-100w-750CL-P85-0L-MAG	G00001-a6-T4-B1-Rm4-P1-L0	90°-4T-100w-750CL-P85-0L-MAG
G00001-a4-T5-B1-Rm4-P1-L0	60°-5T-100w-750CL-P85-0L-MAG	G00001-a5-T5-B1-Rm4-P1-L0	75°-5T-100w-750CL-P85-0L-MAG	G00001-a6-T5-B1-Rm4-P1-L0	90°-5T-100w-750CL-P85-0L-MAG
G00001-a4-T6-B1-Rm4-P1-L0	60°-6T-100w-750CL-P85-0L-MAG	G00001-a5-T6-B1-Rm4-P1-L0	75°-6T-100w-750CL-P85-0L-MAG	G00001-a6-T6-B1-Rm4-P1-L0	90°-6T-100w-750CL-P85-0L-MAG
G00001-a4-T7-B1-Rm4-P1-L0	60°-7T-100w-750CL-P85-0L-MAG	G00001-a5-T7-B1-Rm4-P1-L0	75°-7T-100w-750CL-P85-0L-MAG	G00001-a6-T7-B1-Rm4-P1-L0	90°-7T-100w-750CL-P85-0L-MAG
G00001-a4-T8-B1-Rm4-P1-L0	60°-8T-100w-750CL-P85-0L-MAG	G00001-a5-T8-B1-Rm4-P1-L0	75°-8T-100w-750CL-P85-0L-MAG	G00001-a6-T8-B1-Rm4-P1-L0	90°-8T-100w-750CL-P85-0L-MAG

NON STANDARD SIZES ARE AVAILABLE ON REQUEST.
 STANDARD ORDER QTY: PER SET



LEAD IN & OUT AVAILABLE IN
 125mm - 100mm - 50mm AND WITHOUT

Rm = 860mm - SINGLE TRACK

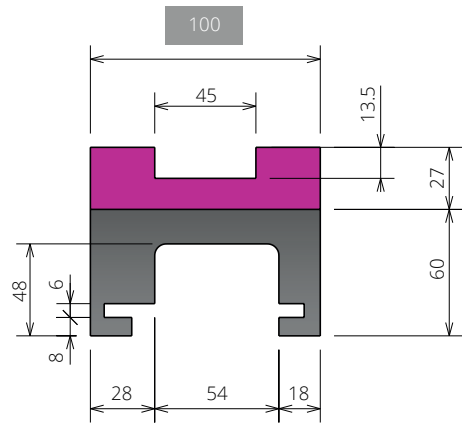
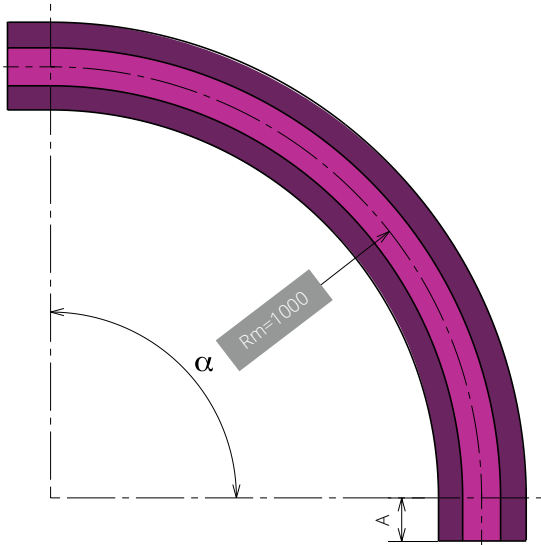
$\alpha 15^\circ$		$\alpha 30^\circ$		$\alpha 45^\circ$	
CODE	DESCRIPTION	CODE	DESCRIPTION	CODE	DESCRIPTION
G00001-a1-T1-B1-Rm5-P0-L0	15°-1T-100w-860CL-0L-MAG	G00001-a2-T1-B1-Rm5-P0-L0	30°-1T-100w-860CL-0L-MAG	G00001-a3-T1-B1-Rm5-P0-L0	45°-1T-100w-860CL-0L-MAG
G00001-a1-T1-B1-Rm5-P0-L1	15°-1T-100w-860CL- 50L-MAG	G00001-a2-T1-B1-Rm5-P0-L1	30°-1T-100w-860CL- 50L-MAG	G00001-a3-T1-B1-Rm5-P0-L1	45°-1T-100w-860CL-50L-MAG
G00001-a1-T1-B1-Rm5-P0-L2	15°-1T-100w-860CL- 100L-MAG	G00001-a2-T1-B1-Rm5-P0-L2	30°-1T-100w-860CL- 100L-MAG	G00001-a3-T1-B1-Rm5-P0-L2	45°-1T-100w-860CL-100L-MAG
G00001-a1-T1-B1-Rm5-P0-L3	15°-1T-100w-860CL- 125L-MAG	G00001-a2-T1-B1-Rm5-P0-L3	30°-1T-100w-860CL- 125L-MAG	G00001-a3-T1-B1-Rm5-P0-L3	45°-1T-100w-860CL-125L-MAG
$\alpha 60^\circ$		$\alpha 75^\circ$		$\alpha 90^\circ$	
CODE	DESCRIPTION	CODE	DESCRIPTION	CODE	DESCRIPTION
G00001-a4-T1-B1-Rm5-P0-L0	60°-1T-100w-860CL-0L-MAG	G00001-a5-T1-B1-Rm5-P0-L0	75°-1T-100w-860CL-0L-MAG	G00001-a6-T1-B1-Rm5-P0-L0	90°-1T-100w-860CL-0L-MAG
G00001-a4-T1-B1-Rm5-P0-L1	60°-1T-100w-860CL-50L-MAG	G00001-a5-T1-B1-Rm5-P0-L1	75°-1T-100w-860CL-50L-MAG	G00001-a6-T1-B1-Rm5-P0-L1	90°-1T-100w-860CL- 0L-MAG
G00001-a4-T1-B1-Rm5-P0-L2	60°-1T-100w-860CL-100L-MAG	G00001-a5-T1-B1-Rm5-P0-L2	75°-1T-100w-860CL-100L-MAG	G00001-a6-T1-B1-Rm5-P0-L2	90°-1T-100w-860CL-100L-MAG
G00001-a4-T1-B1-Rm5-P0-L3	60°-1T-100w-860CL-125L-MAG	G00001-a5-T1-B1-Rm5-P0-L3	75°-1T-100w-860CL-125L-MAG	G00001-a6-T1-B1-Rm5-P0-L3	90°-1T-100w-860CL-125L-MAG

NON STANDARD SIZES ARE AVAILABLE ON REQUEST.
 STANDARD ORDER QTY: PER SET

G00001

879M-K325 - 880M-K325 - 880M-K330 881M-K325
- 881M-K330 SERIES

MAGNETIC CURVES/BENDS - 1000mm CENTERLINE - 100mm WIDE - SINGLE TRACK

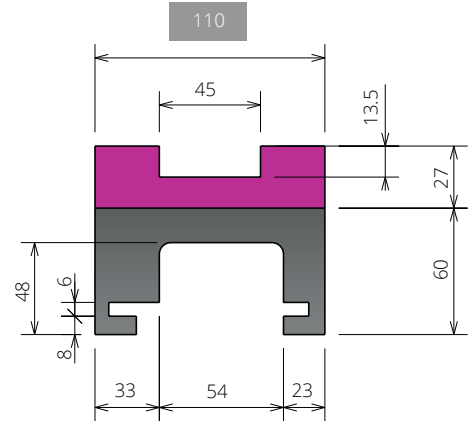
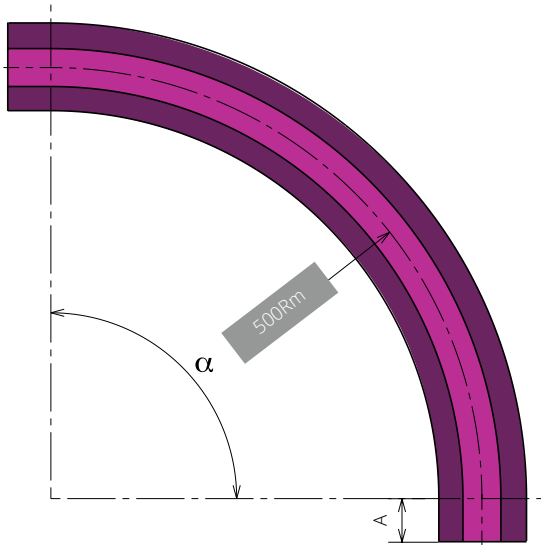


LEAD IN & OUT AVAILABLE IN
125mm - 100mm - 50mm AND WITHOUT

Rm = 1000mm - SINGLE TRACK

α 15°		α 30°		α 45°	
CODE	DESCRIPTION	CODE	DESCRIPTION	CODE	DESCRIPTION
G00001-a1-T1-B1-Rm6-P0-L0	15°-1T-100w-1000CL-0L-MAG	G00001-a2-T1-B1-Rm6-P0-L0	30°-1T-100w-1000CL-0L-MAG	G00001-a3-T1-B1-Rm6-P0-L0	45°-1T-100w-1000CL-0L-MAG
G00001-a1-T1-B1-Rm6-P0-L1	15°-1T-100w-1000CL-50L-MAG	G00001-a2-T1-B1-Rm6-P0-L1	30°-1T-100w-1000CL-50L-MAG	G00001-a3-T1-B1-Rm6-P0-L1	45°-1T-100w-1000CL-50L-MAG
G00001-a1-T1-B1-Rm6-P0-L2	15°-1T-100w-1000CL-100L-MAG	G00001-a2-T1-B1-Rm6-P0-L2	30°-1T-100w-1000CL-100L-MAG	G00001-a3-T1-B1-Rm6-P0-L2	45°-1T-100w-1000CL-100L-MAG
G00001-a1-T1-B1-Rm6-P0-L3	15°-1T-100w-1000CL-125L-MAG	G00001-a2-T1-B1-Rm6-P0-L3	30°-1T-100w-1000CL-125L-MAG	G00001-a3-T1-B1-Rm6-P0-L3	45°-1T-100w-1000CL-125L-MAG
α 60°		α 75°		α 90°	
CODE	DESCRIPTION	CODE	DESCRIPTION	CODE	DESCRIPTION
G00001-a4-T1-B1-Rm6-P0-L0	60°-1T-100w-1000CL-0L-MAG	G00001-a5-T1-B1-Rm6-P0-L0	75°-1T-100w-1000CL-0L-MAG	G00001-a6-T1-B1-Rm6-P0-L0	90°-1T-100w-1000CL-0L-MAG
G00001-a4-T1-B1-Rm6-P0-L1	60°-1T-100w-1000CL-50L-MAG	G00001-a5-T1-B1-Rm6-P0-L1	75°-1T-100w-1000CL-50L-MAG	G00001-a6-T1-B1-Rm6-P0-L1	90°-1T-100w-1000CL-50L-MAG
G00001-a4-T1-B1-Rm6-P0-L2	60°-1T-100w-1000CL-100L-MAG	G00001-a5-T1-B1-Rm6-P0-L2	75°-1T-100w-1000CL-100L-MAG	G00001-a6-T1-B1-Rm6-P0-L2	90°-1T-100w-1000CL-100L-MAG
G00001-a4-T1-B1-Rm6-P0-L3	60°-1T-100w-1000CL-125L-MAG	G00001-a5-T1-B1-Rm6-P0-L3	75°-1T-100w-1000CL-125L-MAG	G00001-a6-T1-B1-Rm6-P0-L3	90°-1T-100w-1000CL-125L-MAG

NON STANDARD SIZES ARE AVAILABLE ON REQUEST.
STANDARD ORDER QTY: PER SET



LEAD IN & OUT AVAILABLE IN
 125mm - 100mm - 50mm AND WITHOUT

Rm = 500mm - SINGLE TRACK

$\alpha 15^\circ$		$\alpha 30^\circ$		$\alpha 45^\circ$	
CODE	DESCRIPTION	CODE	DESCRIPTION	CODE	DESCRIPTION
G00001-a1-T1-B2-Rm1-P0-L0	15°-1T-110w-500CL-0L-MAG	G00001-a2-T1-B2-Rm1-P0-L0	30°-1T-110w-500CL-0L-MAG	G00001-a3-T1-B2-Rm1-P0-L0	45°-1T-110w-500CL-0L-MAG
G00001-a1-T1-B2-Rm1-P0-L1	15°-1T-110w-500CL-50L-MAG	G00001-a2-T1-B2-Rm1-P0-L1	30°-1T-110w-500CL-50L-MAG	G00001-a3-T1-B2-Rm1-P0-L1	45°-1T-110w-500CL-50L-MAG
G00001-a1-T1-B2-Rm1-P0-L2	15°-1T-110w-500CL-100L-MAG	G00001-a2-T1-B2-Rm1-P0-L2	30°-1T-110w-500CL-100L-MAG	G00001-a3-T1-B2-Rm1-P0-L2	45°-1T-110w-500CL-100L-MAG
G00001-a1-T1-B2-Rm1-P0-L3	15°-1T-110w-500CL-125L-MAG	G00001-a2-T1-B2-Rm1-P0-L3	30°-1T-110w-500CL-125L-MAG	G00001-a3-T1-B2-Rm1-P0-L3	45°-1T-110w-500CL-125L-MAG
$\alpha 60^\circ$		$\alpha 75^\circ$		$\alpha 90^\circ$	
CODE	DESCRIPTION	CODE	DESCRIPTION	CODE	DESCRIPTION
G00001-a4-T1-B2-Rm1-P0-L0	60°-1T-110w-500CL-0L-MAG	G00001-a5-T1-B2-Rm1-P0-L0	75°-1T-110w-500CL-0L-MAG	G00001-a6-T1-B2-Rm1-L0	90°-1T-110w-500CL-0L-MAG
G00001-a4-T1-B2-Rm1-P0-L1	60°-1T-110w-500CL-50L-MAG	G00001-a5-T1-B2-Rm1-P0-L1	75°-1T-110w-500CL-50L-MAG	G00001-a6-T1-B2-Rm1-P0-L1	90°-1T-110w-500CL-50L-MAG
G00001-a4-T1-B2-Rm1-P0-L2	60°-1T-110w-500CL-100L-MAG	G00001-a5-T1-B2-Rm1-P0-L2	75°-1T-110w-500CL-100L-MAG	G00001-a6-T1-B2-Rm1-P0-L2	90°-1T-110w-500CL-100L-MAG
G00001-a4-T1-B2-Rm1-P0-L3	60°-1T-110w-500CL-125L-MAG	G00001-a5-T1-B2-Rm1-P0-L3	75°-1T-110w-500CL-125L-MAG	G00001-a6-T1-B2-Rm1-P0-L3	90°-1T-110w-500CL-125L-MAG

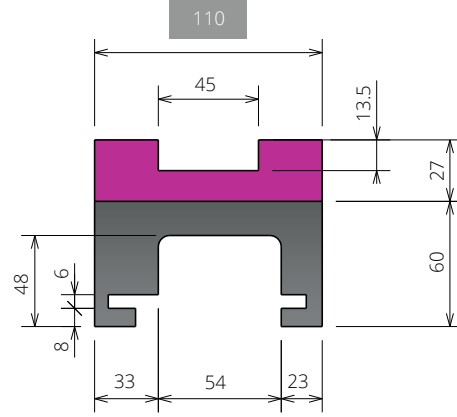
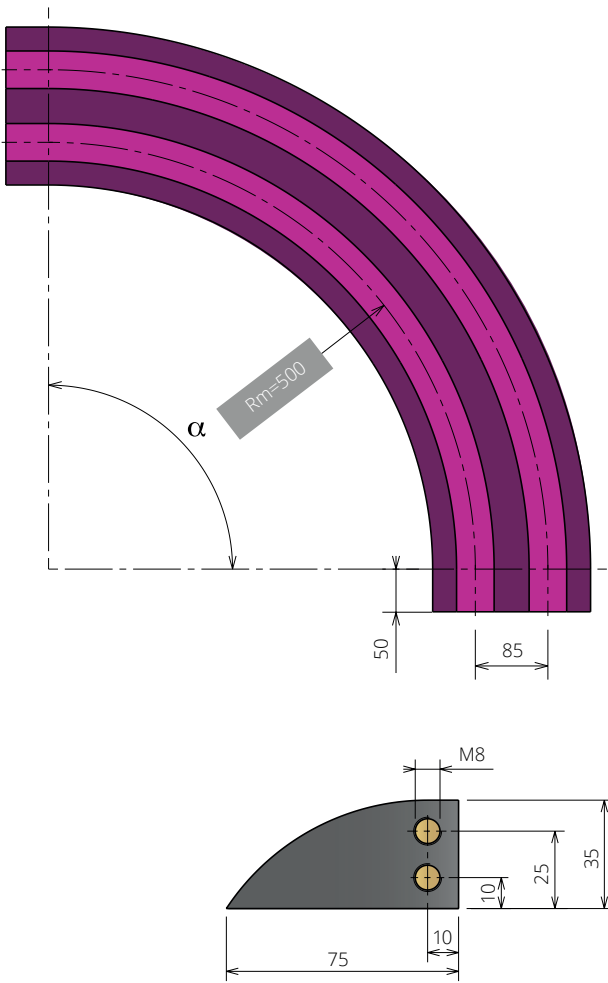
NON STANDARD SIZES ARE AVAILABLE ON REQUEST.
 STANDARD ORDER QTY: PER SET



G00001

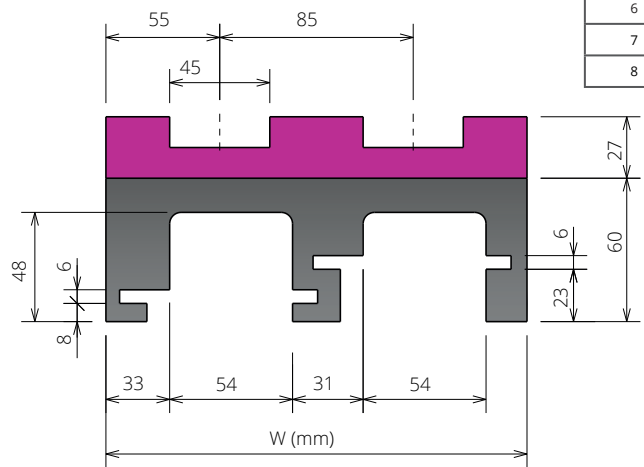
879M-K325 - 880M-K325 - 880M-K330 881M-K325
- 881M-K330 SERIES

MAGNETIC CURVES/BENDS -
500mm CENTERLINE - 110mm WIDE - 85mm
PITCH - 50mm LEAD IN AND LEAD OUT



SINGLE TRACK - G00001-a6-T1-B2- Rm1-P0- L1

TRACKS	W
1	110
2	195
3	280
4	365
5	450
6	535
7	620
8	705



MULTI TRACK - G00001-a6- T2-B2-Rm1-P1-L1

Rm = 500mm - MULTI TRACK - 50mm LEAD IN / LEAD OUT

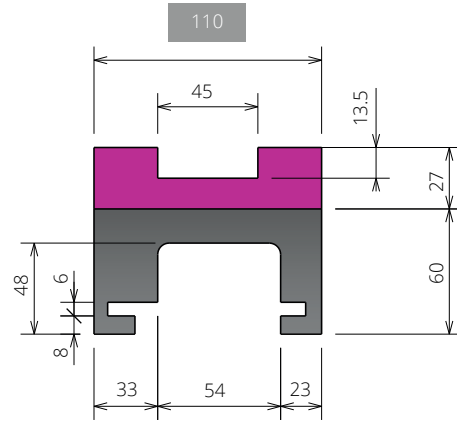
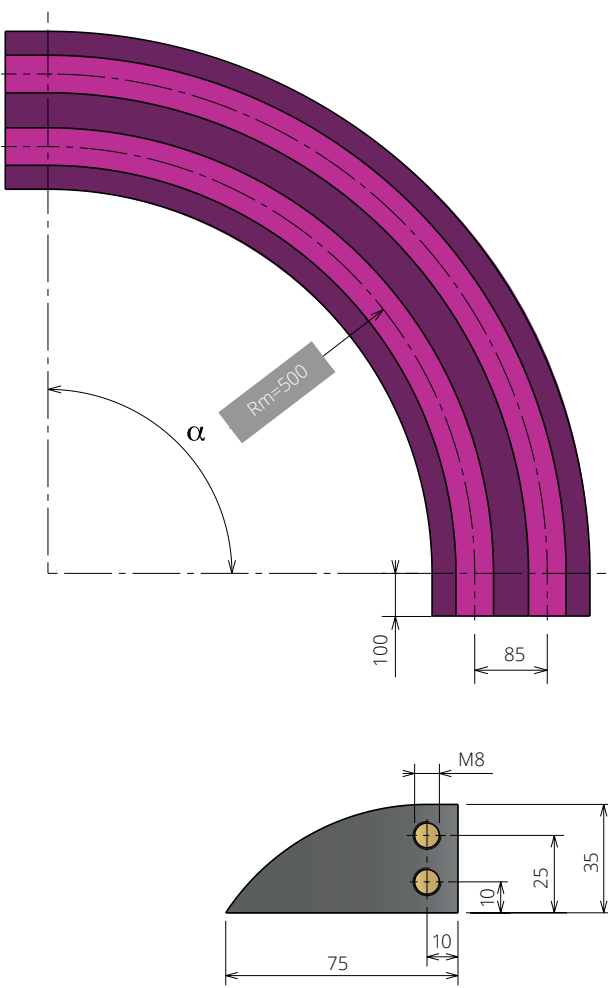
$\alpha 15^\circ$		$\alpha 30^\circ$		$\alpha 45^\circ$	
CODE	DESCRIPTION	CODE	DESCRIPTION	CODE	DESCRIPTION
G00001-a1-T1-B2-Rm1-P0-L1	15°-1T-110w-500CL-50L-MAG	G00001-a2-T1-B2-Rm1-P0-L1	30°-1T-110w-500CL-50L-MAG	G00001-a3-T1-B2-Rm1-P0-L1	45°-1T-110w-500CL-50L-MAG
G00001-a1-T2-B2-Rm1-P1-L1	15°-2T-110w-500CL-P85-50L-MAG	G00001-a2-T2-B2-Rm1-P1-L1	30°-2T-110w-500CL-P85-50L-MAG	G00001-a3-T2-B2-Rm1-P1-L1	45°-2T-110w-500CL-P85-50L-MAG
G00001-a1-T3-B2-Rm1-P1-L1	15°-3T-110w-500CL-P85-50L-MAG	G00001-a2-T3-B2-Rm1-P1-L1	30°-3T-110w-500CL-P85-50L-MAG	G00001-a3-T3-B2-Rm1-P1-L1	45°-3T-110w-500CL-P85-50L-MAG
G00001-a1-T4-B2-Rm1-P1-L1	15°-4T-110w-500CL-P85-50L-MAG	G00001-a2-T4-B2-Rm1-P1-L1	30°-4T-110w-500CL-P85-50L-MAG	G00001-a3-T4-B2-Rm1-P1-L1	45°-4T-110w-500CL-P85-50L-MAG
G00001-a1-T5-B2-Rm1-P1-L1	15°-5T-110w-500CL-P85-50L-MAG	G00001-a2-T5-B2-Rm1-P1-L1	30°-5T-110w-500CL-P85-50L-MAG	G00001-a3-T5-B2-Rm1-P1-L1	45°-5T-110w-500CL-P85-50L-MAG
G00001-a1-T6-B2-Rm1-P1-L1	15°-6T-110w-500CL-P85-50L-MAG	G00001-a2-T6-B2-Rm1-P1-L1	30°-6T-110w-500CL-P85-50L-MAG	G00001-a3-T6-B2-Rm1-P1-L1	45°-6T-110w-500CL-P85-50L-MAG
G00001-a1-T7-B2-Rm1-P1-L1	15°-7T-110w-500CL-P85-50L-MAG	G00001-a2-T7-B2-Rm1-P1-L1	30°-7T-110w-500CL-P85-50L-MAG	G00001-a3-T7-B2-Rm1-P1-L1	45°-7T-110w-500CL-P85-50L-MAG
G00001-a1-T8-B2-Rm1-P1-L1	15°-8T-110w-500CL-P85-50L-MAG	G00001-a2-T8-B2-Rm1-P1-L1	30°-8T-110w-500CL-P85-50L-MAG	G00001-a3-T8-B2-Rm1-P1-L1	45°-8T-110w-500CL-P85-50L-MAG
$\alpha 60^\circ$		$\alpha 75^\circ$		$\alpha 90^\circ$	
CODE	DESCRIPTION	CODE	DESCRIPTION	CODE	DESCRIPTION
G00001-a4-T1-B2-Rm1-P0-L1	60°-1T-110w-500CL-50L-MAG	G00001-a5-T1-B2-Rm1-P0-L1	75°-1T-110w-500CL-50L-MAG	G00001-a6-T1-B2-Rm1-P0-L1	90°-1T-110w-500CL-50L-MAG
G00001-a4-T2-B2-Rm1-P1-L1	60°-2T-110w-500CL-P85-50L-MAG	G00001-a5-T2-B2-Rm1-P1-L1	75°-2T-110w-500CL-P85-50L-MAG	G00001-a6-T2-B2-Rm1-P1-L1	90°-2T-110w-500CL-P85-50L-MAG
G00001-a4-T3-B2-Rm1-P1-L1	60°-3T-110w-500CL-P85-50L-MAG	G00001-a5-T3-B2-Rm1-P1-L1	75°-3T-110w-500CL-P85-50L-MAG	G00001-a6-T3-B2-Rm1-P1-L1	90°-3T-110w-500CL-P85-50L-MAG
G00001-a4-T4-B2-Rm1-P1-L1	60°-4T-110w-500CL-P85-50L-MAG	G00001-a5-T4-B2-Rm1-P1-L1	75°-4T-110w-500CL-P85-50L-MAG	G00001-a6-T4-B2-Rm1-P1-L1	90°-4T-110w-500CL-P85-50L-MAG
G00001-a4-T5-B2-Rm1-P1-L1	60°-5T-110w-500CL-P85-50L-MAG	G00001-a5-T5-B2-Rm1-P1-L1	75°-5T-110w-500CL-P85-50L-MAG	G00001-a6-T5-B2-Rm1-P1-L1	90°-5T-110w-500CL-P85-50L-MAG
G00001-a4-T6-B2-Rm1-P1-L1	60°-6T-110w-500CL-P85-50L-MAG	G00001-a5-T6-B2-Rm1-P1-L1	75°-6T-110w-500CL-P85-50L-MAG	G00001-a6-T6-B2-Rm1-P1-L1	90°-6T-110w-500CL-P85-50L-MAG
G00001-a4-T7-B2-Rm1-P1-L1	60°-7T-110w-500CL-P85-50L-MAG	G00001-a5-T7-B2-Rm1-P1-L1	75°-7T-110w-500CL-P85-50L-MAG	G00001-a6-T7-B2-Rm1-P1-L1	90°-7T-110w-500CL-P85-50L-MAG
G00001-a4-T8-B2-Rm1-P1-L1	60°-8T-110w-500CL-P85-50L-MAG	G00001-a5-T8-B2-Rm1-P1-L1	75°-8T-110w-500CL-P85-50L-MAG	G00001-a6-T8-B2-Rm1-P1-L1	90°-8T-110w-500CL-P85-50L-MAG

NON STANDARD SIZES ARE AVAILABLE ON REQUEST.
STANDARD ORDER QTY: PER SET

G00001

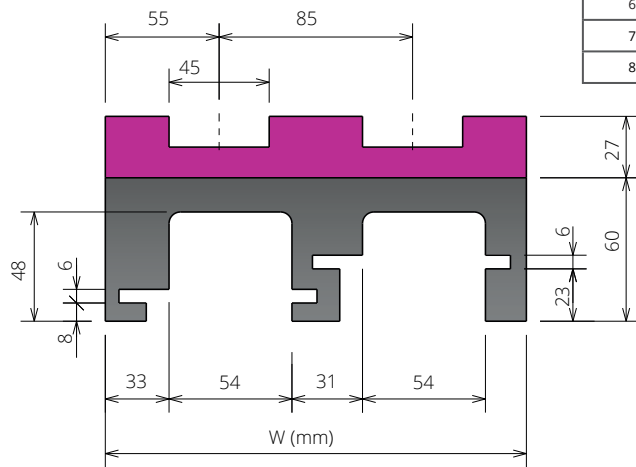
879M-K325 - 880M-K325 - 880M-K330 881M-K325
- 881M-K330 SERIES

MAGNETIC CURVES/BENDS -
500mm CENTERLINE - 110mm WIDE - 85mm
PITCH - 100mm LEAD IN AND LEAD OUT



SINGLE TRACK - G00001-a6-T1-B2- Rm1-P0- L2

TRACKS	W
1	110
2	195
3	280
4	365
5	450
6	535
7	620
8	705



MULTI TRACK - G00001-a6- T2-B2- Rm1-P1-L2

Rm = 500mm - MULTI TRACK - 50mm LEAD IN / LEAD OUT

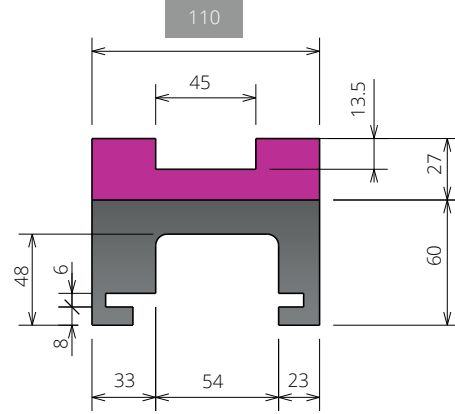
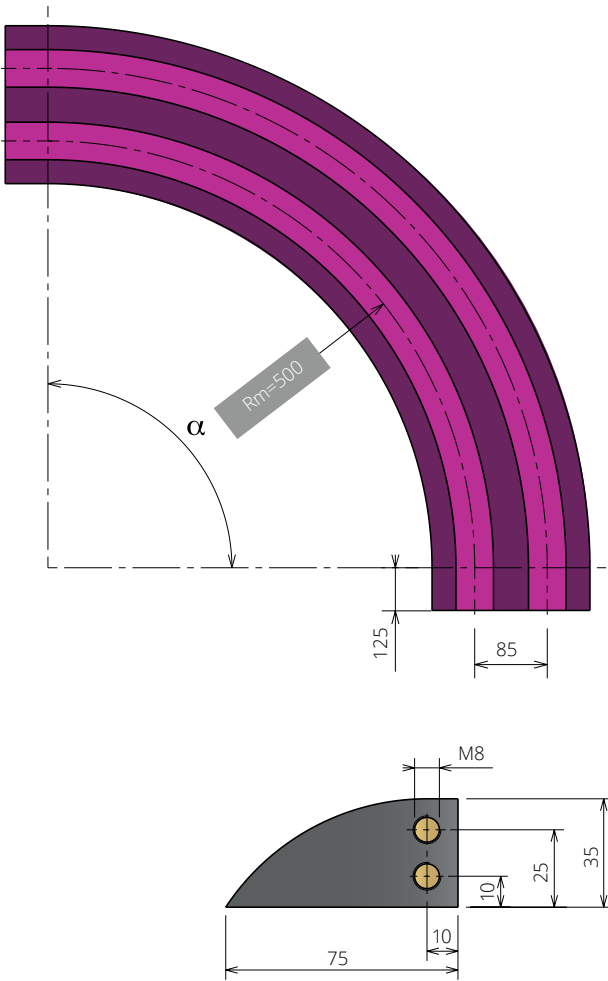
α 15°		α 30°		α 45°	
CODE	DESCRIPTION	CODE	DESCRIPTION	CODE	DESCRIPTION
G00001-a1-T1-B2-Rm1-P0-L2	15°-1T-110w-500CL-100L-MAG	G00001-a2-T1-B2-Rm1-P0-L2	30°-1T-110w-500CL-100L-MAG	G00001-a3-T1-B2-Rm1-P0-L2	45°-1T-110w-500CL-100L-MAG
G00001-a1-T2-B2-Rm1-P1-L2	15°-2T-110w-500CL-P85-100L-MAG	G00001-a2-T2-B2-Rm1-P1-L2	30°-2T-110w-500CL-P85-100L-MAG	G00001-a3-T2-B2-Rm1-P1-L2	45°-2T-110w-500CL-P85-100L-MAG
G00001-a1-T3-B2-Rm1-P1-L2	15°-3T-110w-500CL-P85-100L-MAG	G00001-a2-T3-B2-Rm1-P1-L2	30°-3T-110w-500CL-P85-100L-MAG	G00001-a3-T3-B2-Rm1-P1-L2	45°-3T-110w-500CL-P85-100L-MAG
G00001-a1-T4-B2-Rm1-P1-L2	15°-4T-110w-500CL-P85-100L-MAG	G00001-a2-T4-B2-Rm1-P1-L2	30°-4T-110w-500CL-P85-100L-MAG	G00001-a3-T4-B2-Rm1-P1-L2	45°-4T-110w-500CL-P85-100L-MAG
G00001-a1-T5-B2-Rm1-P1-L2	15°-5T-110w-500CL-P85-100L-MAG	G00001-a2-T5-B2-Rm1-P1-L2	30°-5T-110w-500CL-P85-100L-MAG	G00001-a3-T5-B2-Rm1-P1-L2	45°-5T-110w-500CL-P85-100L-MAG
G00001-a1-T6-B2-Rm1-P1-L2	15°-6T-110w-500CL-P85-100L-MAG	G00001-a2-T6-B2-Rm1-P1-L2	30°-6T-110w-500CL-P85-100L-MAG	G00001-a3-T6-B2-Rm1-P1-L2	45°-6T-110w-500CL-P85-100L-MAG
G00001-a1-T7-B2-Rm1-P1-L2	15°-7T-110w-500CL-P85-100L-MAG	G00001-a2-T7-B2-Rm1-P1-L2	30°-7T-110w-500CL-P85-100L-MAG	G00001-a3-T7-B2-Rm1-P1-L2	45°-7T-110w-500CL-P85-100L-MAG
G00001-a1-T8-B2-Rm1-P1-L2	15°-8T-110w-500CL-P85-100L-MAG	G00001-a2-T8-B2-Rm1-P1-L2	30°-8T-110w-500CL-P85-100L-MAG	G00001-a3-T8-B2-Rm1-P1-L2	45°-8T-110w-500CL-P85-100L-MAG
α 60°		α 75°		α 90°	
CODE	DESCRIPTION	CODE	DESCRIPTION	CODE	DESCRIPTION
G00001-a4-T1-B2-Rm1-P0-L2	60°-1T-110w-500CL-100L-MAG	G00001-a5-T1-B2-Rm1-P0-L2	75°-1T-110w-500CL-100L-MAG	G00001-a6-T1-B2-Rm1-P0-L2	90°-1T-110w-500CL-100L-MAG
G00001-a4-T2-B2-Rm1-P1-L2	60°-2T-110w-500CL-P85-100L-MAG	G00001-a5-T2-B2-Rm1-P1-L2	75°-2T-110w-500CL-P85-100L-MAG	G00001-a6-T2-B2-Rm1-P1-L2	90°-2T-110w-500CL-P85-100L-MAG
G00001-a4-T3-B2-Rm1-P1-L2	60°-3T-110w-500CL-P85-100L-MAG	G00001-a5-T3-B2-Rm1-P1-L2	75°-3T-110w-500CL-P85-100L-MAG	G00001-a6-T3-B2-Rm1-P1-L2	90°-3T-110w-500CL-P85-100L-MAG
G00001-a4-T4-B2-Rm1-P1-L2	60°-4T-110w-500CL-P85-100L-MAG	G00001-a5-T4-B2-Rm1-P1-L2	75°-4T-110w-500CL-P85-100L-MAG	G00001-a6-T4-B2-Rm1-P1-L2	90°-4T-110w-500CL-P85-100L-MAG
G00001-a4-T5-B2-Rm1-P1-L2	60°-5T-110w-500CL-P85-100L-MAG	G00001-a5-T5-B2-Rm1-P1-L2	75°-5T-110w-500CL-P85-100L-MAG	G00001-a6-T5-B2-Rm1-P1-L2	90°-5T-110w-500CL-P85-100L-MAG
G00001-a4-T6-B2-Rm1-P1-L2	60°-6T-110w-500CL-P85-100L-MAG	G00001-a5-T6-B2-Rm1-P1-L2	75°-6T-110w-500CL-P85-100L-MAG	G00001-a6-T6-B2-Rm1-P1-L2	90°-6T-110w-500CL-P85-100L-MAG
G00001-a4-T7-B2-Rm1-P1-L2	60°-7T-110w-500CL-P85-100L-MAG	G00001-a5-T7-B2-Rm1-P1-L2	75°-7T-110w-500CL-P85-100L-MAG	G00001-a6-T7-B2-Rm1-P1-L2	90°-7T-110w-500CL-P85-100L-MAG
G00001-a4-T8-B2-Rm1-P1-L2	60°-8T-110w-500CL-P85-100L-MAG	G00001-a5-T8-B2-Rm1-P1-L2	75°-8T-110w-500CL-P85-100L-MAG	G00001-a6-T8-B2-Rm1-P1-L2	90°-8T-110w-500CL-P85-100L-MAG

NON STANDARD SIZES ARE AVAILABLE ON REQUEST.
STANDARD ORDER QTY: PER SET

G00001

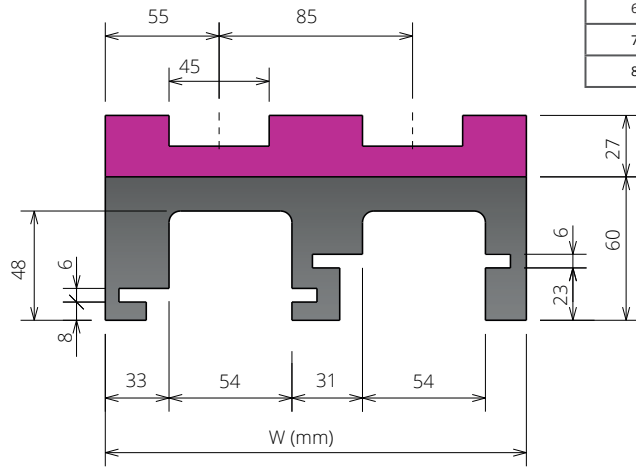
879M-K325 - 880M-K325 - 880M-K330 881M-K325
- 881M-K330 SERIES

MAGNETIC CURVES/BENDS -
500mm CENTERLINE - 110mm WIDE - 85mm
PITCH - 125mm LEAD IN AND LEAD OUT



SINGLE TRACK - G00001-a6-T1-B2- Rm1-P0- L3

TRACKS	W
1	110
2	195
3	280
4	365
5	450
6	535
7	620
8	705



MULTI TRACK - G00001-a6- T2-B2- Rm1-P1-L3

Rm = 500mm - MULTI TRACK - 125mm LEAD IN / LEAD OUT

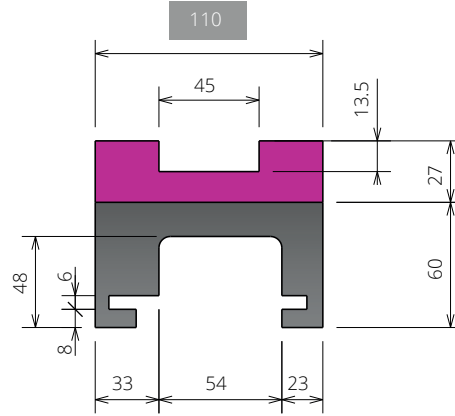
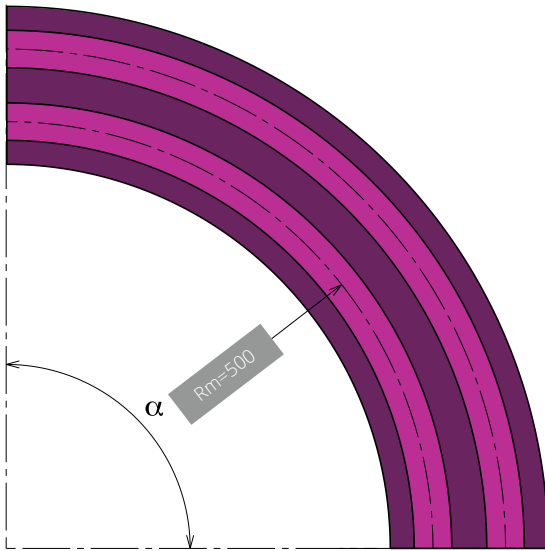
$\alpha 15^\circ$		$\alpha 30^\circ$		$\alpha 45^\circ$	
CODE	DESCRIPTION	CODE	DESCRIPTION	CODE	DESCRIPTION
G00001-a1-T1-B2-Rm1-P0-L3	15°-1T-110w-500CL-125L-MAG	G00001-a2-T1-B2-Rm1-P0-L3	30°-1T-110w- 500CL-125L-MAG	G00001-a3-T1-B2-Rm1-P0-L3	45°-1T-110w- 500CL-125L-MAG
G00001-a1-T2-B2-Rm1-P1-L3	15°-2T-110w-500CL-P85-125L-MAG	G00001-a2-T2-B2-Rm1-P1-L3	30°-2T-110w-500CL-P85-125L-MAG	G00001-a3-T2-B2-Rm1-P1-L3	45°-2T-110w-500CL-P85-125L-MAG
G00001-a1-T3-B2-Rm1-P1-L3	15°-3T-110w-500CL-P85-125L-MAG	G00001-a2-T3-B2-Rm1-P1-L3	30°-3T-110w-500CL-P85-125L-MAG	G00001-a3-T3-B2-Rm1-P1-L3	45°-3T-110w-500CL-P85-125L-MAG
G00001-a1-T4-B2-Rm1-P1-L3	15°-4T-110w-500CL-P85-125L-MAG	G00001-a2-T4-B2-Rm1-P1-L3	30°-4T-110w-500CL-P85-125L-MAG	G00001-a3-T4-B2-Rm1-P1-L3	45°-4T-110w-500CL-P85-125L-MAG
G00001-a1-T5-B2-Rm1-P1-L3	15°-5T-110w-500CL-P85-125L-MAG	G00001-a2-T5-B2-Rm1-P1-L3	30°-5T-110w-500CL-P85-125L-MAG	G00001-a3-T5-B2-Rm1-P1-L3	45°-5T-110w-500CL-P85-125L-MAG
G00001-a1-T6-B2-Rm1-P1-L3	15°-6T-110w-500CL-P85-125L-MAG	G00001-a2-T6-B2-Rm1-P1-L3	30°-6T-110w-500CL-P85-125L-MAG	G00001-a3-T6-B2-Rm1-P1-L3	45°-6T-110w-500CL-P85-125L-MAG
G00001-a1-T7-B2-Rm1-P1-L3	15°-7T-110w-500CL-P85-125L-MAG	G00001-a2-T7-B2-Rm1-P1-L3	30°-7T-110w-500CL-P85-125L-MAG	G00001-a3-T7-B2-Rm1-P1-L3	45°-7T-110w-500CL-P85-125L-MAG
G00001-a1-T8-B2-Rm1-P1-L3	15°-8T-110w-500CL-P85-125L-MAG	G00001-a2-T8-B2-Rm1-P1-L3	30°-8T-110w-500CL-P85-125L-MAG	G00001-a3-T8-B2-Rm1-P1-L3	45°-8T-110w-500CL-P85-125L-MAG
$\alpha 60^\circ$		$\alpha 75^\circ$		$\alpha 90^\circ$	
CODE	DESCRIPTION	CODE	DESCRIPTION	CODE	DESCRIPTION
G00001-a4-T1-B2-Rm1-P0-L3	60°-1T-110w- 500CL-125L-MAG	G00001-a5-T1-B2-Rm1-P0-L3	75°-1T-110w-500CL-125L-MAG	G00001-a6-T1-B2-Rm1-P0-L3	90°-1T-110w- 500CL-125L-MAG
G00001-a4-T2-B2-Rm1-P1-L3	60°-2T-110w-500CL-P85-125L-MAG	G00001-a5-T2-B2-Rm1-P1-L3	75°-2T-110w-500CL-P85-125L-MAG	G00001-a6-T2-B2-Rm1-P1-L3	90°-2T-110w-500CL-P85-125L-MAG
G00001-a4-T3-B2-Rm1-P1-L3	60°-3T-110w-500CL-P85-125L-MAG	G00001-a5-T3-B2-Rm1-P1-L3	75°-3T-110w-500CL-P85-125L-MAG	G00001-a6-T3-B2-Rm1-P1-L3	90°-3T-110w-500CL-P85-125L-MAG
G00001-a4-T4-B2-Rm1-P1-L3	60°-4T-110w-500CL-P85-125L-MAG	G00001-a5-T4-B2-Rm1-P1-L3	75°-4T-110w-500CL-P85-125L-MAG	G00001-a6-T4-B2-Rm1-P1-L3	90°-4T-110w-500CL-P85-125L-MAG
G00001-a4-T5-B2-Rm1-P1-L3	60°-5T-110w-500CL-P85-125L-MAG	G00001-a5-T5-B2-Rm1-P1-L3	75°-5T-110w-500CL-P85-125L-MAG	G00001-a6-T5-B2-Rm1-P1-L3	90°-5T-110w-500CL-P85-125L-MAG
G00001-a4-T6-B2-Rm1-P1-L3	60°-6T-110w-500CL-P85-125L-MAG	G00001-a5-T6-B2-Rm1-P1-L3	75°-6T-110w-500CL-P85-125L-MAG	G00001-a6-T6-B2-Rm1-P1-L3	90°-6T-110w-500CL-P85-125L-MAG
G00001-a4-T7-B2-Rm1-P1-L3	60°-7T-110w-500CL-P85-125L-MAG	G00001-a5-T7-B2-Rm1-P1-L3	75°-7T-110w-500CL-P85-125L-MAG	G00001-a6-T7-B2-Rm1-P1-L3	90°-7T-110w-500CL-P85-125L-MAG
G00001-a4-T8-B2-Rm1-P1-L3	60°-8T-110w-500CL-P85-125L-MAG	G00001-a5-T8-B2-Rm1-P1-L3	75°-8T-110w-500CL-P85-125L-MAG	G00001-a6-T8-B2-Rm1-P1-L3	90°-8T-110w-500CL-P85-125L-MAG

NON STANDARD SIZES ARE AVAILABLE ON REQUEST.
STANDARD ORDER QTY: PER SET

G00001

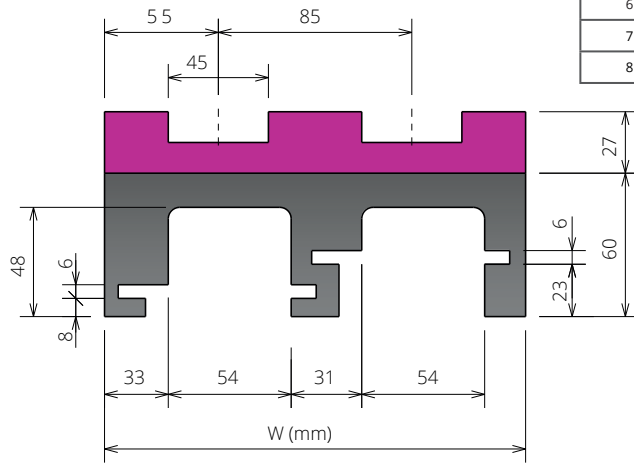
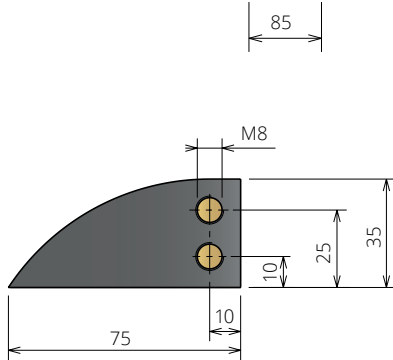
879M-K325 - 880M-K325 - 880M-K330 881M-K325
- 881M-K330 SERIES

MAGNETIC CURVES/BENDS -
500mm CENTERLINE - 110mm WIDE - 85mm
PITCH - NO LEAD IN AND LEAD OUT



SINGLE TRACK - G00001-a6-T1-B2- Rm1-P0-L0

TRACKS	W
1	110
2	195
3	280
4	365
5	450
6	535
7	620
8	705



MULTI TRACK - G00001-a6-T2-B2-Rm1-P1-L0

Rm = 500mm - MULTI TRACK - NO LEAD IN / LEAD OUT

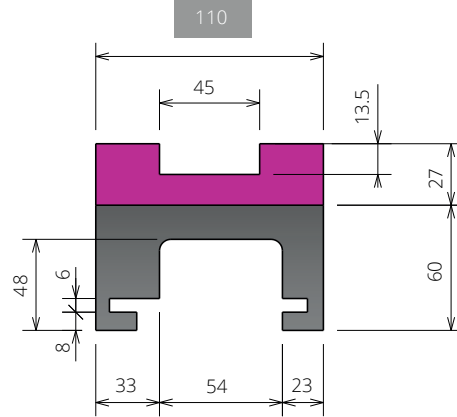
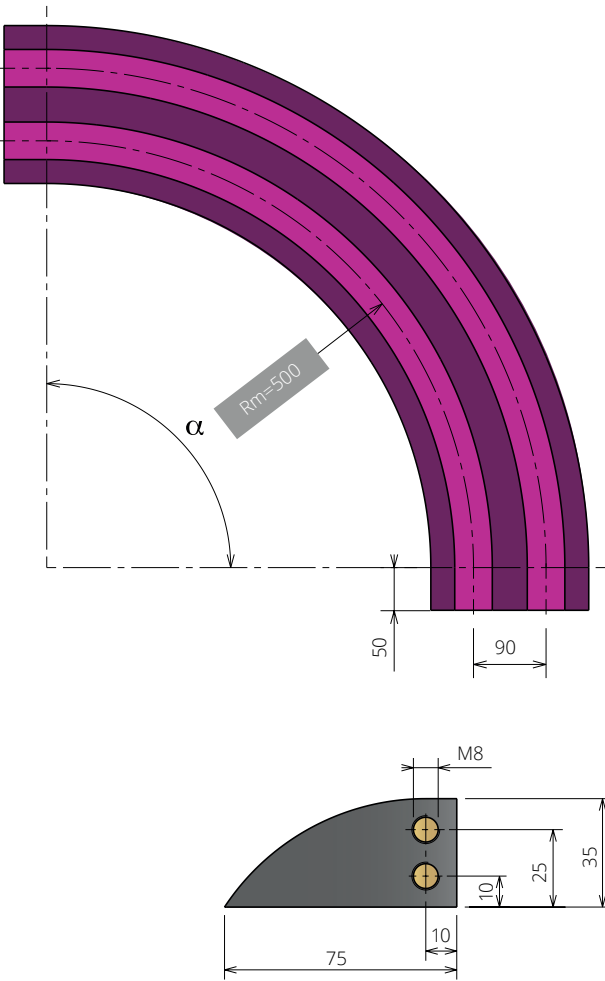
α 15°		α 30°		α 45°	
CODE	DESCRIPTION	CODE	DESCRIPTION	CODE	DESCRIPTION
G00001-a1-T1-B2- Rm1-P0-L0	15°-1T-110w-500CL-0L-MAG	G00001-a2-T1-B2-Rm1-P0-L0	30° -1T-110w-500CL-0L-MAG	G00001-a3-T1-B2-Rm1-P0-L0	45°-1T-110w-500CL-0L-MAG
G00001-a1-T2-B2-Rm1-P1-L0	15°-2T-110w-500CL-P85-0L-MAG	G00001-a2-T2-B2-Rm1-P1-L0	30°-2T-110w-500CL-P85-0L-MAG	G00001-a3-T2-B2-Rm1-P1-L0	45°-2T-110w-500CL-P85-0L-MAG
G00001-a1-T3-B2-Rm1-P1-L0	15°-3T-110w-500CL-P85-0L-MAG	G00001-a2-T3-B2-Rm1-P1-L0	30°-3T-110w-500CL-P85-0L-MAG	G00001-a3-T3-B2-Rm1-P1-L0	45°-3T-110w-500CL-P85-0L-MAG
G00001-a1-T4-B2-Rm1-P1-L0	15°-4T-110w-500CL-P85-0L-MAG	G00001-a2-T4-B2-Rm1-P1-L0	30°-4T-110w-500CL-P85-0L-MAG	G00001-a3-T4-B2-Rm1-P1-L0	45°-4T-110w-500CL-P85-0L-MAG
G00001-a1-T5-B2-Rm1-P1-L0	15°-5T-110w-500CL-P85-0L-MAG	G00001-a2-T5-B2-Rm1-P1-L0	30°-5T-110w-500CL-P85-0L-MAG	G00001-a3-T5-B2-Rm1-P1-L0	45°-5T-110w-500CL-P85-0L-MAG
G00001-a1-T6-B2-Rm1-P1-L0	15°-6T-110w-500CL-P85-0L-MAG	G00001-a2-T6-B2-Rm1-P1-L0	30°-6T-110w-500CL-P85-0L-MAG	G00001-a3-T6-B2-Rm1-P1-L0	45°-6T-110w-500CL-P85-0L-MAG
G00001-a1-T7-B2-Rm1-P1-L0	15°-7T-110w-500CL-P85-0L-MAG	G00001-a2-T7-B2-Rm1-P1-L0	30°-7T-110w-500CL-P85-0L-MAG	G00001-a3-T7-B2-Rm1-P1-L0	45°-7T-110w-500CL-P85-0L-MAG
G00001-a1-T8-B2-Rm1-P1-L0	15°-8T-110w-500CL-P85-0L-MAG	G00001-a2-T8-B2-Rm1-P1-L0	30°-8T-110w-500CL-P85-0L-MAG	G00001-a3-T8-B2-Rm1-P1-L0	45°-8T-110w-500CL-P85-0L-MAG
α 60°		α 75°		α 90°	
CODE	DESCRIPTION	CODE	DESCRIPTION	CODE	DESCRIPTION
60°-1T-110w-500CL-0L-MAG	60°-1T-110w-500CL-0L-MAG	G00001-a5-T1-B2-Rm1-P0-L0	75°-1T-110w-500CL-0L-MAG	G00001-a6-T1-B2-Rm1-P0-L0	90°-1T-110w-500CL-0L-MAG
G00001-a4-T2-B2-Rm1-P1-L0	60°-2T-110w-500CL-P85-0L-MAG	G00001-a5-T2-B2-Rm1-P1-L0	75°-2T-110w-500CL-P85-0L-MAG	G00001-a6-T2-B2-Rm1-P1-L0	90°-2T-110w-500CL-P85-0L-MAG
G00001-a4-T3-B2-Rm1-P1-L0	60°-3T-110w-500CL-P85-0L-MAG	G00001-a5-T3-B2-Rm1-P1-L0	75°-3T-110w-500CL-P85-0L-MAG	G00001-a6-T3-B2-Rm1-P1-L0	90°-3T-110w-500CL-P85-0L-MAG
G00001-a4-T4-B2-Rm1-P1-L0	60°-4T-110w-500CL-P85-0L-MAG	G00001-a5-T4-B2-Rm1-P1-L0	75°-4T-110w-500CL-P85-0L-MAG	G00001-a6-T4-B2-Rm1-P1-L0	90°-4T-110w-500CL-P85-0L-MAG
G00001-a4-T5-B2-Rm1-P1-L0	60°-5T-110w-500CL-P85-0L-MAG	G00001-a5-T5-B2-Rm1-P1-L0	75°-5T-110w-500CL-P85-0L-MAG	G00001-a6-T5-B2-Rm1-P1-L0	90°-5T-110w-500CL-P85-0L-MAG
G00001-a4-T6-B2-Rm1-P1-L0	60°-6T-110w-500CL-P85-0L-MAG	G00001-a5-T6-B2-Rm1-P1-L0	75°-6T-110w-500CL-P85-0L-MAG	G00001-a6-T6-B2-Rm1-P1-L0	90°-6T-110w-500CL-P85-0L-MAG
G00001-a4-T7-B2-Rm1-P1-L0	60°-7T-110w-500CL-P85-0L-MAG	G00001-a5-T7-B2-Rm1-P1-L0	75°-7T-110w-500CL-P85-0L-MAG	G00001-a6-T7-B2-Rm1-P1-L0	90°-7T-110w-500CL-P85-0L-MAG
G00001-a4-T8-B2-Rm1-P1-L0	60°-8T-110w-500CL-P85-0L-MAG	G00001-a5-T8-B2-Rm1-P1-L0	75°-8T-110w-500CL-P85-0L-MAG	G00001-a6-T8-B2-Rm1-P1-L0	90°-8T-110w-500CL-P85-0L-MAG

NON STANDARD SIZES ARE AVAILABLE ON REQUEST.
STANDARD ORDER QTY: PER SET

G00001

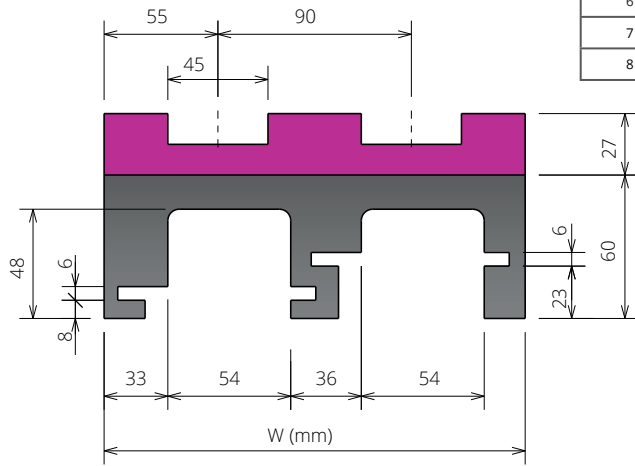
879M-K325 - 880M-K325 - 880M-K330 881M-K325
- 881M-K330 SERIES

MAGNETIC CURVES/BENDS -
500mm CENTERLINE - 110mm WIDE - 90mm
PITCH - 50mm LEAD IN AND LEAD OUT



SINGLE TRACK - G00001-a6-T1-B2- Rm1-P0- L1

TRACKS	W
1	110
2	200
3	290
4	380
5	470
6	560
7	650
8	740



MULTI TRACK - G00001-a6- T2-B2- Rm1-P3-L1

Rm = 500mm - MULTI TRACK - 50mm LEAD IN / LEAD OUT

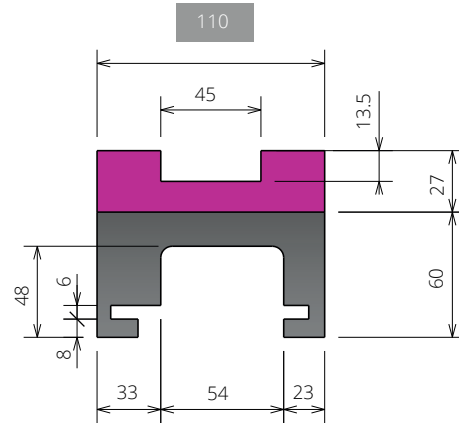
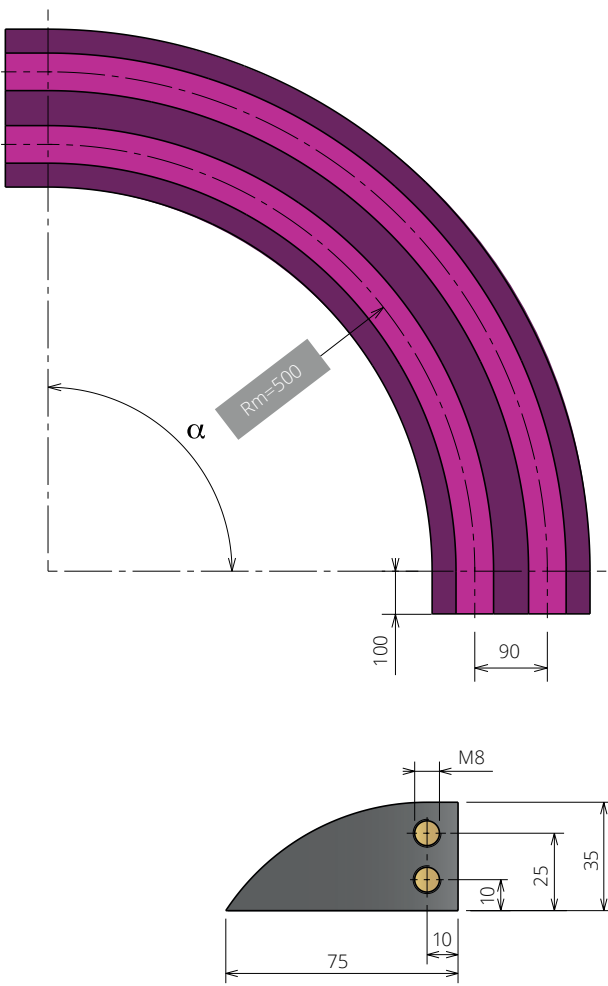
$\alpha 15^\circ$		$\alpha 30^\circ$		$\alpha 45^\circ$	
CODE	DESCRIPTION	CODE	DESCRIPTION	CODE	DESCRIPTION
G00001-a1-T1-B2-Rm1-P0-L1	15°-1T-110w-500CL-50L-MAG	G00001-a2-T1-B2-Rm1-P0-L1	30°-1T-110w-500CL-50L-MAG	G00001-a3-T1-B2-Rm1-P0-L1	45°-1T-110w-500CL-50L-MAG
G00001-a1-T2-B2-Rm1-P3-L1	15°-2T-110w-500CL-P90-50L-MAG	G00001-a2-T2-B2-Rm1-P3-L1	30°-2T-110w-500CL-P90-50L-MAG	G00001-a3-T2-B2-Rm1-P3-L1	45°-2T-110w-500CL-P90-50L-MAG
G00001-a1-T3-B2-Rm1-P3-L1	15°-3T-110w-500CL-P90-50L-MAG	G00001-a2-T3-B2-Rm1-P3-L1	30°-3T-110w-500CL-P90-50L-MAG	G00001-a3-T3-B2-Rm1-P3-L1	45°-3T-110w-500CL-P90-50L-MAG
G00001-a1-T4-B2-Rm1-P3-L1	15°-4T-110w-500CL-P90-50L-MAG	G00001-a2-T4-B2-Rm1-P3-L1	30°-4T-110w-500CL-P90-50L-MAG	G00001-a3-T4-B2-Rm1-P3-L1	45°-4T-110w-500CL-P90-50L-MAG
G00001-a1-T5-B2-Rm1-P3-L1	15°-5T-110w-500CL-P90-50L-MAG	G00001-a2-T5-B2-Rm1-P3-L1	30°-5T-110w-500CL-P90-50L-MAG	G00001-a3-T5-B2-Rm1-P3-L1	45°-5T-110w-500CL-P90-50L-MAG
G00001-a1-T6-B2-Rm1-P3-L1	15°-6T-110w-500CL-P90-50L-MAG	G00001-a2-T6-B2-Rm1-P3-L1	30°-6T-110w-500CL-P90-50L-MAG	G00001-a3-T6-B2-Rm1-P3-L1	45°-6T-110w-500CL-P90-50L-MAG
G00001-a1-T7-B2-Rm1-P3-L1	15°-7T-110w-500CL-P90-50L-MAG	G00001-a2-T7-B2-Rm1-P3-L1	30°-7T-110w-500CL-P90-50L-MAG	G00001-a3-T7-B2-Rm1-P3-L1	45°-7T-110w-500CL-P90-50L-MAG
G00001-a1-T8-B2-Rm1-P3-L1	15°-8T-110w-500CL-P90-50L-MAG	G00001-a2-T8-B2-Rm1-P3-L1	30°-8T-110w-500CL-P90-50L-MAG	G00001-a3-T8-B2-Rm1-P3-L1	45°-8T-110w-500CL-P90-50L-MAG
$\alpha 60^\circ$		$\alpha 75^\circ$		$\alpha 90^\circ$	
CODE	DESCRIPTION	CODE	DESCRIPTION	CODE	DESCRIPTION
G00001-a4-T1-B2-Rm1-P0-L1	60°-1T-110w-500CL-50L-MAG	G00001-a5-T1-B2-Rm1-P0-L1	75°-1T-110w-500CL-50L-MAG	G00001-a6-T1-B2-Rm1-P0-L1	90°-1T-110w-500CL-50L-MAG
G00001-a4-T2-B2-Rm1-P3-L1	60°-2T-110w-500CL-P90-50L-MAG	G00001-a5-T2-B2-Rm1-P3-L1	75°-2T-110w-500CL-P90-50L-MAG	G00001-a6-T2-B2-Rm1-P3-L1	90°-2T-110w-500CL-P90-50L-MAG
G00001-a4-T3-B2-Rm1-P3-L1	60°-3T-110w-500CL-P90-50L-MAG	G00001-a5-T3-B2-Rm1-P3-L1	75°-3T-110w-500CL-P90-50L-MAG	G00001-a6-T3-B2-Rm1-P3-L1	90°-3T-110w-500CL-P90-50L-MAG
G00001-a4-T4-B2-Rm1-P3-L1	60°-4T-110w-500CL-P90-50L-MAG	G00001-a5-T4-B2-Rm1-P3-L1	75°-4T-110w-500CL-P90-50L-MAG	G00001-a6-T4-B2-Rm1-P3-L1	90°-4T-110w-500CL-P90-50L-MAG
G00001-a4-T5-B2-Rm1-P3-L1	60°-5T-110w-500CL-P90-50L-MAG	G00001-a5-T5-B2-Rm1-P3-L1	75°-5T-110w-500CL-P90-50L-MAG	G00001-a6-T5-B2-Rm1-P3-L1	90°-5T-110w-500CL-P90-50L-MAG
G00001-a4-T6-B2-Rm1-P3-L1	60°-6T-110w-500CL-P90-50L-MAG	G00001-a5-T6-B2-Rm1-P3-L1	75°-6T-110w-500CL-P90-50L-MAG	G00001-a6-T6-B2-Rm1-P3-L1	90°-6T-110w-500CL-P90-50L-MAG
G00001-a4-T7-B2-Rm1-P3-L1	60°-7T-110w-500CL-P90-50L-MAG	G00001-a5-T7-B2-Rm1-P3-L1	75°-7T-110w-500CL-P90-50L-MAG	G00001-a6-T7-B2-Rm1-P3-L1	90°-7T-110w-500CL-P90-50L-MAG
G00001-a4-T8-B2-Rm1-P3-L1	60°-8T-110w-500CL-P90-50L-MAG	G00001-a5-T8-B2-Rm1-P3-L1	75°-8T-110w-500CL-P90-50L-MAG	G00001-a6-T8-B2-Rm1-P3-L1	90°-8T-110w-500CL-P90-50L-MAG

NON STANDARD SIZES ARE AVAILABLE ON REQUEST.
STANDARD ORDER QTY: PER SET

G00001

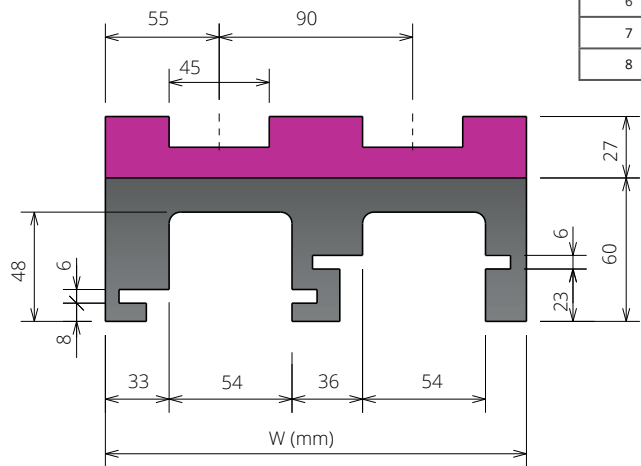
879M-K325 - 880M-K325 - 880M-K330 881M-K325
- 881M-K330 SERIES

MAGNETIC CURVES/BENDS -
500mm CENTERLINE - 110mm WIDE - 90mm
PITCH - 100mm LEAD IN AND LEAD OUT



SINGLE TRACK - G00001-a6-T1-B2- Rm1-P0-L2

TRACKS	W
1	110
2	200
3	290
4	380
5	470
6	560
7	650
8	740



MULTI TRACK - G00001-a6- T2-B2- Rm1-P3-L2

Rm = 500mm - MULTI TRACK - 100mm LEAD IN / LEAD OUT

$\alpha 15^\circ$		$\alpha 30^\circ$		$\alpha 45^\circ$	
CODE	DESCRIPTION	CODE	DESCRIPTION	CODE	DESCRIPTION
G00001-a1-T1-B2-Rm1-P0-L2	15°-1T-110w-500CL-100L-MAG	G00001-a2-T1-B2-Rm1-P0-L2	30°-1T-110w- 500CL-100L-MAG	G00001-a3-T1-B2-Rm1-P0-L2	45°-1T-110w-500CL-100L-MAG
G00001-a1-T2-B2-Rm1-P3-L2	15°-2T-110w-500CL-P90-100L-MAG	G00001-a2-T2-B2-Rm1-P3-L2	30°-2T-110w-500CL-P90-100L-MAG	G00001-a3-T2-B2-Rm1-P3-L2	45°-2T-110w-500CL-P90-100L-MAG
G00001-a1-T3-B2-Rm1-P3-L2	15°-3T-110w-500CL-P90-100L-MAG	G00001-a2-T3-B2-Rm1-P3-L2	30°-3T-110w-500CL-P90-100L-MAG	G00001-a3-T3-B2-Rm1-P3-L2	45°-3T-110w-500CL-P90-100L-MAG
G00001-a1-T4-B2-Rm1-P3-L2	15°-4T-110w-500CL-P90-100L-MAG	G00001-a2-T4-B2-Rm1-P3-L2	30°-4T-110w-500CL-P90-100L-MAG	G00001-a3-T4-B2-Rm1-P3-L2	45°-4T-110w-500CL-P90-100L-MAG
G00001-a1-T5-B2-Rm1-P3-L2	15°-5T-110w-500CL-P90-100L-MAG	G00001-a2-T5-B2-Rm1-P3-L2	30°-5T-110w-500CL-P90-100L-MAG	G00001-a3-T5-B2-Rm1-P3-L2	45°-5T-110w-500CL-P90-100L-MAG
G00001-a1-T6-B2-Rm1-P3-L2	15°-6T-110w-500CL-P90-100L-MAG	G00001-a2-T6-B2-Rm1-P3-L2	30°-6T-110w-500CL-P90-100L-MAG	G00001-a3-T6-B2-Rm1-P3-L2	45°-6T-110w-500CL-P90-100L-MAG
G00001-a1-T7-B2-Rm1-P3-L2	15°-7T-110w-500CL-P90-100L-MAG	G00001-a2-T7-B2-Rm1-P3-L2	30°-7T-110w-500CL-P90-100L-MAG	G00001-a3-T7-B2-Rm1-P3-L2	45°-7T-110w-500CL-P90-100L-MAG
G00001-a1-T8-B2-Rm1-P3-L2	15°-8T-110w-500CL-P90-100L-MAG	G00001-a2-T8-B2-Rm1-P3-L2	30°-8T-110w-500CL-P90-100L-MAG	G00001-a3-T8-B2-Rm1-P3-L2	45°-8T-110w-500CL-P90-100L-MAG
$\alpha 60^\circ$		$\alpha 75^\circ$		$\alpha 90^\circ$	
CODE	DESCRIPTION	CODE	DESCRIPTION	CODE	DESCRIPTION
G00001-a4-T1-B2-Rm1-P0-L2	60°-1T-110w-500CL-100L-MAG	G00001-a5-T1-B2-Rm1-P0-L2	75°-1T-110w- 500CL-100L-MAG	G00001-a6-T1-B2-Rm1-P0-L2	90°-1T-110w-500CL-100L-MAG
G00001-a4-T2-B2-Rm1-P3-L2	60°-2T-110w-500CL-P90-100L-MAG	G00001-a5-T2-B2-Rm1-P3-L2	75°-2T-110w-500CL-P90-100L-MAG	G00001-a6-T2-B2-Rm1-P3-L2	90°-2T-110w-500CL-P90-100L-MAG
G00001-a4-T3-B2-Rm1-P3-L2	60°-3T-110w-500CL-P90-100L-MAG	G00001-a5-T3-B2-Rm1-P3-L2	75°-3T-110w-500CL-P90-100L-MAG	G00001-a6-T3-B2-Rm1-P3-L2	90°-3T-110w-500CL-P90-100L-MAG
G00001-a4-T4-B2-Rm1-P3-L2	60°-4T-110w-500CL-P90-100L-MAG	G00001-a5-T4-B2-Rm1-P3-L2	75°-4T-110w-500CL-P90-100L-MAG	G00001-a6-T4-B2-Rm1-P3-L2	90°-4T-110w-500CL-P90-100L-MAG
G00001-a4-T5-B2-Rm1-P3-L2	60°-5T-110w-500CL-P90-100L-MAG	G00001-a5-T5-B2-Rm1-P3-L2	75°-5T-110w-500CL-P90-100L-MAG	G00001-a6-T5-B2-Rm1-P3-L2	90°-5T-110w-500CL-P90-100L-MAG
G00001-a4-T6-B2-Rm1-P3-L2	60°-6T-110w-500CL-P90-100L-MAG	G00001-a5-T6-B2-Rm1-P3-L2	75°-6T-110w-500CL-P90-100L-MAG	G00001-a6-T6-B2-Rm1-P3-L2	90°-6T-110w-500CL-P90-100L-MAG
G00001-a4-T7-B2-Rm1-P3-L2	60°-7T-110w-500CL-P90-100L-MAG	G00001-a5-T7-B2-Rm1-P3-L2	75°-7T-110w-500CL-P90-100L-MAG	G00001-a6-T7-B2-Rm1-P3-L2	90°-7T-110w-500CL-P90-100L-MAG
G00001-a4-T8-B2-Rm1-P3-L2	60°-8T-110w-500CL-P90-100L-MAG	G00001-a5-T8-B2-Rm1-P3-L2	75°-8T-110w-500CL-P90-100L-MAG	G00001-a6-T8-B2-Rm1-P3-L2	90°-8T-110w-500CL-P90-100L-MAG

NON STANDARD SIZES ARE AVAILABLE ON REQUEST.
STANDARD ORDER QTY: PER SET



CHAINS/BELTS
PG. A8 & PG. B11



MATERIALS



TABLE OF
CONTENTS



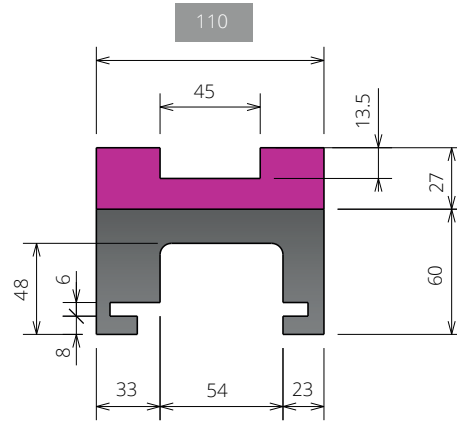
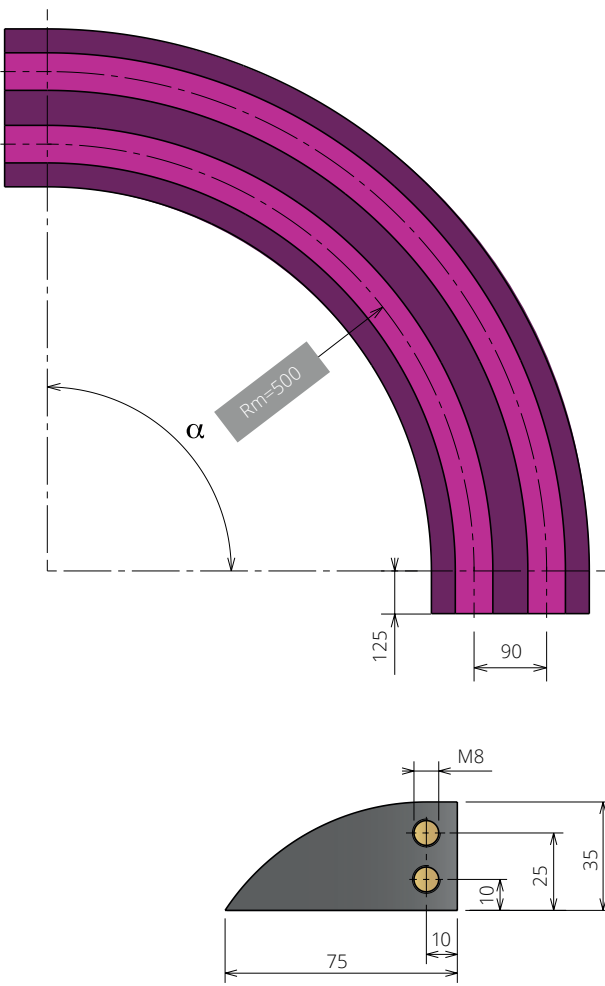
BACK TO CORNER TRACKS/
CURVES/BENDS INDEX (G)

WWW.IRP.CO.ZA

G00001

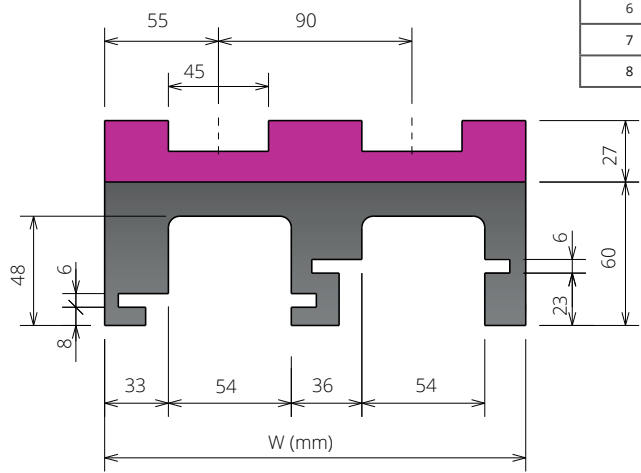
879M-K325 - 880M-K325 - 880M-K330 881M-K325
- 881M-K330 SERIES

MAGNETIC CURVES/BENDS -
500mm CENTERLINE - 110mm WIDE - 90mm
PITCH - 125mm LEAD IN AND LEAD OUT



SINGLE TRACK - G00001-a6-T1-B2- Rm1-P0- L3

TRACKS	W
1	110
2	200
3	290
4	380
5	470
6	560
7	650
8	740



MULTI TRACK - G00001-a6- T2-B2- Rm1-P3-L3

Rm = 500mm - MULTI TRACK - 125mm LEAD IN / LEAD OUT

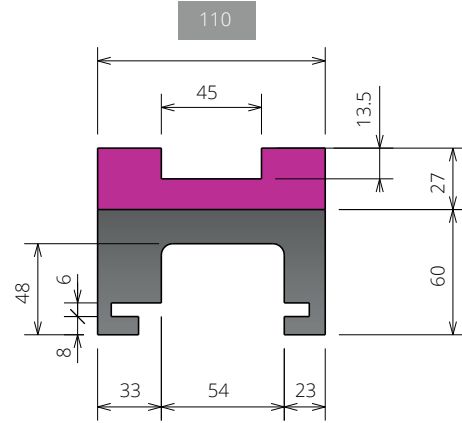
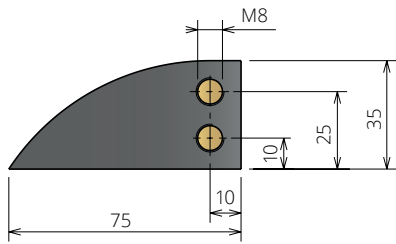
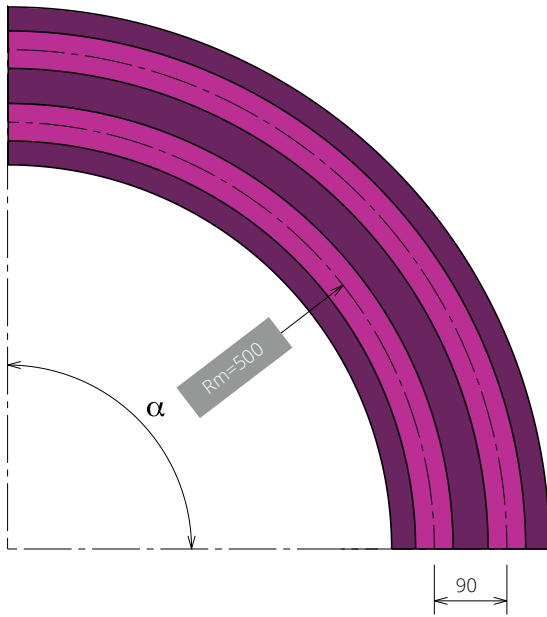
$\alpha 15^\circ$		$\alpha 30^\circ$		$\alpha 45^\circ$	
CODE	DESCRIPTION	CODE	DESCRIPTION	CODE	DESCRIPTION
G00001-a1-T1-B2-Rm1-P0-L3	15°-1T-110w-500CL-125L-MAG	G00001-a2-T1-B2-Rm1-P0-L3	30°-1T-110w-500CL-125L-MAG	G00001-a3-T1-B2-Rm1-P0-L3	45°-1T-110w-500CL-125L-MAG
G00001-a1-T2-B2-Rm1-P3-L3	15°-2T-110w-500CL-P90-125L-MAG	G00001-a2-T2-B2-Rm1-P3-L3	30°-2T-110w-500CL-P90-125L-MAG	G00001-a3-T2-B2-Rm1-P3-L3	45°-2T-110w-500CL-P90-125L-MAG
G00001-a1-T3-B2-Rm1-P3-L3	15°-3T-110w-500CL-P90-125L-MAG	G00001-a2-T3-B2-Rm1-P3-L3	30°-3T-110w-500CL-P90-125L-MAG	G00001-a3-T3-B2-Rm1-P3-L3	45°-3T-110w-500CL-P90-125L-MAG
G00001-a1-T4-B2-Rm1-P3-L3	15°-4T-110w-500CL-P90-125L-MAG	G00001-a2-T4-B2-Rm1-P3-L3	30°-4T-110w-500CL-P90-125L-MAG	G00001-a3-T4-B2-Rm1-P3-L3	45°-4T-110w-500CL-P90-125L-MAG
G00001-a1-T5-B2-Rm1-P3-L3	15°-5T-110w-500CL-P90-125L-MAG	G00001-a2-T5-B2-Rm1-P3-L3	30°-5T-110w-500CL-P90-125L-MAG	G00001-a3-T5-B2-Rm1-P3-L3	45°-5T-110w-500CL-P90-125L-MAG
G00001-a1-T6-B2-Rm1-P3-L3	15°-6T-110w-500CL-P90-125L-MAG	G00001-a2-T6-B2-Rm1-P3-L3	30°-6T-110w-500CL-P90-125L-MAG	G00001-a3-T6-B2-Rm1-P3-L3	45°-6T-110w-500CL-P90-125L-MAG
G00001-a1-T7-B2-Rm1-P3-L3	15°-7T-110w-500CL-P90-125L-MAG	G00001-a2-T7-B2-Rm1-P3-L3	30°-7T-110w-500CL-P90-125L-MAG	G00001-a3-T7-B2-Rm1-P3-L3	45°-7T-110w-500CL-P90-125L-MAG
G00001-a1-T8-B2-Rm1-P3-L3	15°-8T-110w-500CL-P90-125L-MAG	G00001-a2-T8-B2-Rm1-P3-L3	30°-8T-110w-500CL-P90-125L-MAG	G00001-a3-T8-B2-Rm1-P3-L3	45°-8T-110w-500CL-P90-125L-MAG
$\alpha 60^\circ$		$\alpha 75^\circ$		$\alpha 90^\circ$	
CODE	DESCRIPTION	CODE	DESCRIPTION	CODE	DESCRIPTION
G00001-a4-T1-B2-Rm1-P0-L3	60°-1T-110w-500CL-125L-MAG	G00001-a5-T1-B2-Rm1-P0-L3	75°-1T-110w-500CL-125L-MAG	G00001-a6-T1-B2-Rm1-P0-L3	90°-1T-110w-500CL-125L-MAG
G00001-a4-T2-B2-Rm1-P3-L3	60°-2T-110w-500CL-P90-125L-MAG	G00001-a5-T2-B2-Rm1-P3-L3	75°-2T-110w-500CL-P90-125L-MAG	G00001-a6-T2-B2-Rm1-P3-L3	90°-2T-110w-500CL-P90-125L-MAG
G00001-a4-T3-B2-Rm1-P3-L3	60°-3T-110w-500CL-P90-125L-MAG	G00001-a5-T3-B2-Rm1-P3-L3	75°-3T-110w-500CL-P90-125L-MAG	G00001-a6-T3-B2-Rm1-P3-L3	90°-3T-110w-500CL-P90-125L-MAG
G00001-a4-T4-B2-Rm1-P3-L3	60°-4T-110w-500CL-P90-125L-MAG	G00001-a5-T4-B2-Rm1-P3-L3	75°-4T-110w-500CL-P90-125L-MAG	G00001-a6-T4-B2-Rm1-P3-L3	90°-4T-110w-500CL-P90-125L-MAG
G00001-a4-T5-B2-Rm1-P3-L3	60°-5T-110w-500CL-P90-125L-MAG	G00001-a5-T5-B2-Rm1-P3-L3	75°-5T-110w-500CL-P90-125L-MAG	G00001-a6-T5-B2-Rm1-P3-L3	90°-5T-110w-500CL-P90-125L-MAG
G00001-a4-T6-B2-Rm1-P3-L3	60°-6T-110w-500CL-P90-125L-MAG	G00001-a5-T6-B2-Rm1-P3-L3	75°-6T-110w-500CL-P90-125L-MAG	G00001-a6-T6-B2-Rm1-P3-L3	90°-6T-110w-500CL-P90-125L-MAG
G00001-a4-T7-B2-Rm1-P3-L3	60°-7T-110w-500CL-P90-125L-MAG	G00001-a5-T7-B2-Rm1-P3-L3	75°-7T-110w-500CL-P90-125L-MAG	G00001-a6-T7-B2-Rm1-P3-L3	90°-7T-110w-500CL-P90-125L-MAG
G00001-a4-T8-B2-Rm1-P3-L3	60°-8T-110w-500CL-P90-125L-MAG	G00001-a5-T8-B2-Rm1-P3-L3	75°-8T-110w-500CL-P90-125L-MAG	G00001-a6-T8-B2-Rm1-P3-L3	90°-8T-110w-500CL-P90-125L-MAG

NON STANDARD SIZES ARE AVAILABLE ON REQUEST.
STANDARD ORDER QTY: PER SET

G00001

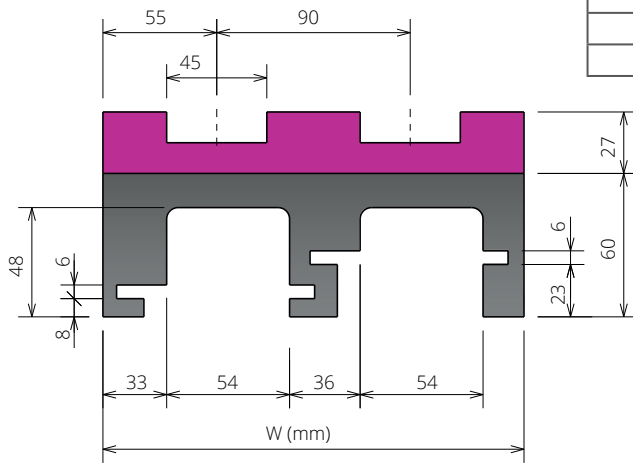
879M-K325 - 880M-K325 - 880M-K330 881M-K325
- 881M-K330 SERIES

MAGNETIC CURVES/BENDS -
500mm CENTERLINE - 110mm WIDE - 90mm
PITCH - NO LEAD IN AND LEAD OUT



SINGLE TRACK - G00001-α6-T1-B2- Rm1-P0-L0

TRACKS	W
1	110
2	200
3	290
4	380
5	470
6	560
7	650
8	740



MULTI TRACK - G00001-α6-T2-B2- Rm1-P3-L0

Rm = 500mm - MULTI TRACK - NO LEAD IN / LEAD OUT

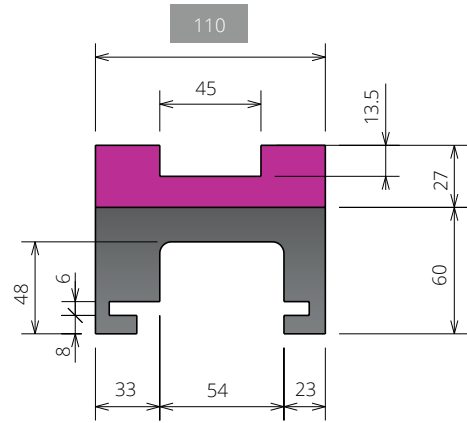
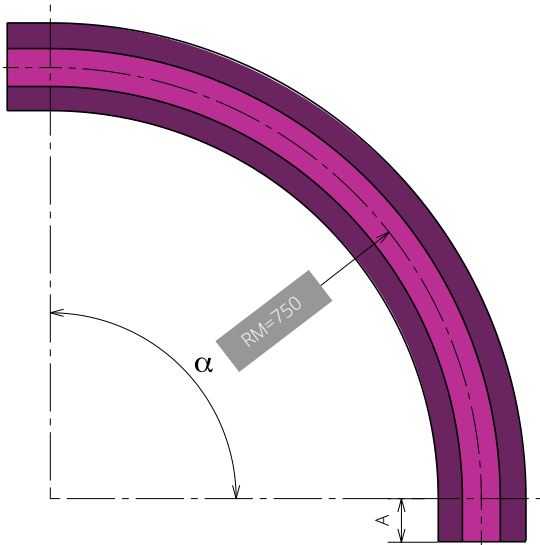
α 15°		α 30°		α 45°	
CODE	DESCRIPTION	CODE	DESCRIPTION	CODE	DESCRIPTION
G00001-a1-T1-B2-Rm1-P0-L0	15°-1T-110w-500CL-0L-MAG	G00001-a2-T1-B2-Rm1-P0-L0	30°-1T-110w-500CL-0L-MAG	G00001-a3-T1-B2-Rm1-P0-L0	45°-1T-110w-500CL-0L-MAG
G00001-a1-T2-B2-Rm1-P3-L0	15°-2T-110w-500CL-P90-0L-MAG	G00001-a2-T2-B2-Rm1-P3-L0	30°-2T-110w-500CL-P90-0L-MAG	G00001-a3-T2-B2-Rm1-P3-L0	45°-2T-110w-500CL-P90-0L-MAG
G00001-a1-T3-B2-Rm1-P3-L0	15°-3T-110w-500CL-P90-0L-MAG	G00001-a2-T3-B2-Rm1-P3-L0	30°-3T-110w-500CL-P90-0L-MAG	G00001-a3-T3-B2-Rm1-P3-L0	45°-3T-110w-500CL-P90-0L-MAG
G00001-a1-T4-B2-Rm1-P3-L0	15°-4T-110w-500CL-P90-0L-MAG	G00001-a2-T4-B2-Rm1-P3-L0	30°-4T-110w-500CL-P90-0L-MAG	G00001-a3-T4-B2-Rm1-P3-L0	45°-4T-110w-500CL-P90-0L-MAG
G00001-a1-T5-B2-Rm1-P3-L0	15°-5T-110w-500CL-P90-0L-MAG	G00001-a2-T5-B2-Rm1-P3-L0	30°-5T-110w-500CL-P90-0L-MAG	G00001-a3-T5-B2-Rm1-P3-L0	45°-5T-110w-500CL-P90-0L-MAG
G00001-a1-T6-B2-Rm1-P3-L0	15°-6T-110w-500CL-P90-0L-MAG	G00001-a2-T6-B2-Rm1-P3-L0	30°-6T-110w-500CL-P90-0L-MAG	G00001-a3-T6-B2-Rm1-P3-L0	45°-6T-110w-500CL-P90-0L-MAG
G00001-a1-T7-B2-Rm1-P3-L0	15°-7T-110w-500CL-P90-0L-MAG	G00001-a2-T7-B2-Rm1-P3-L0	30°-7T-110w-500CL-P90-0L-MAG	G00001-a3-T7-B2-Rm1-P3-L0	45°-7T-110w-500CL-P90-0L-MAG
G00001-a1-T8-B2-Rm1-P3-L0	15°-8T-110w-500CL-P90-0L-MAG	G00001-a2-T8-B2-Rm1-P3-L0	30°-8T-110w-500CL-P90-0L-MAG	G00001-a3-T8-B2-Rm1-P3-L0	45°-8T-110w-500CL-P90-0L-MAG
α 60°		α 75°		α 90°	
CODE	DESCRIPTION	CODE	DESCRIPTION	CODE	DESCRIPTION
G00001-a4-T1-B2-Rm1-P0-L0	60°-1T-110w-500CL-0L-MAG	G00001-a5-T1-B2-Rm1-P0-L0	75°-1T-110w-500CL-0L-MAG	G00001-a6-T1-B2-Rm1-P0-L0	90°-1T-110w-500CL-0L-MAG
G00001-a4-T2-B2-Rm1-P3-L0	60°-2T-110w-500CL-P90-0L-MAG	G00001-a5-T2-B2-Rm1-P3-L0	75°-2T-110w-500CL-P90-0L-MAG	G00001-a6-T2-B2-Rm1-P3-L0	90°-2T-110w-500CL-P90-0L-MAG
G00001-a4-T3-B2-Rm1-P3-L0	60°-3T-110w-500CL-P90-0L-MAG	G00001-a5-T3-B2-Rm1-P3-L0	75°-3T-110w-500CL-P90-0L-MAG	G00001-a6-T3-B2-Rm1-P3-L0	90°-3T-110w-500CL-P90-0L-MAG
G00001-a4-T4-B2-Rm1-P3-L0	60°-4T-110w-500CL-P90-0L-MAG	G00001-a5-T4-B2-Rm1-P3-L0	75°-4T-110w-500CL-P90-0L-MAG	G00001-a6-T4-B2-Rm1-P3-L0	90°-4T-110w-500CL-P90-0L-MAG
G00001-a4-T5-B2-Rm1-P3-L0	60°-5T-110w-500CL-P90-0L-MAG	G00001-a5-T5-B2-Rm1-P3-L0	75°-5T-110w-500CL-P90-0L-MAG	G00001-a6-T5-B2-Rm1-P3-L0	90°-5T-110w-500CL-P90-0L-MAG
G00001-a4-T6-B2-Rm1-P3-L0	60°-6T-110w-500CL-P90-0L-MAG	G00001-a5-T6-B2-Rm1-P3-L0	75°-6T-110w-500CL-P90-0L-MAG	G00001-a6-T6-B2-Rm1-P3-L0	90°-6T-110w-500CL-P90-0L-MAG
G00001-a4-T7-B2-Rm1-P3-L0	60°-7T-110w-500CL-P90-0L-MAG	G00001-a5-T7-B2-Rm1-P3-L0	75°-7T-110w-500CL-P90-0L-MAG	G00001-a6-T7-B2-Rm1-P3-L0	90°-7T-110w-500CL-P90-0L-MAG
G00001-a4-T8-B2-Rm1-P3-L0	60°-8T-110w-500CL-P90-0L-MAG	G00001-a5-T8-B2-Rm1-P3-L0	75°-8T-110w-500CL-P90-0L-MAG	G00001-a6-T8-B2-Rm1-P3-L0	90°-8T-110w-500CL-P90-0L-MAG

NON STANDARD SIZES ARE AVAILABLE ON REQUEST.
STANDARD ORDER QTY: PER SET

G00001

879M-K325 - 880M-K325 - 880M-K330 881M-K325
- 881M-K330 SERIES

MAGNETIC CURVES/BENDS -
750mm CENTERLINE - 110mm WIDE -
SINGLE TRACK

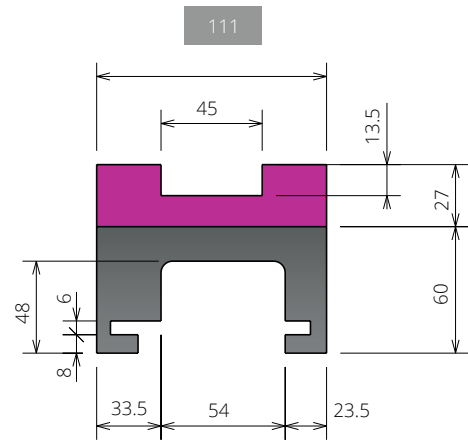
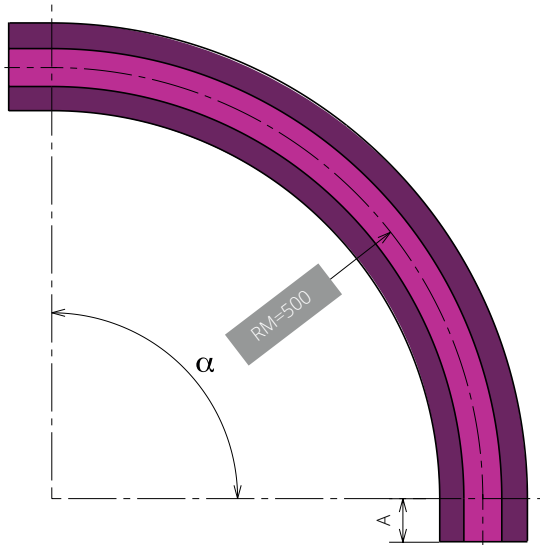


LEAD IN & OUT AVAILABLE IN
125mm - 100mm - 50mm AND WITHOUT

Rm = 750mm - SINGLE TRACK

$\alpha 15^\circ$		$\alpha 30^\circ$		$\alpha 45^\circ$	
CODE	DESCRIPTION	CODE	DESCRIPTION	CODE	DESCRIPTION
G00001-a1-T-B2-Rm4-P0-L0	15°-1T-110w-750CL-0L-MAG	G00001-a2-T1-B2-Rm4-P0-L0	30°-1T-110w-750CL-0L-MAG	G00001-a3-T1-B2-Rm4-P0-L0	45°-1T-110w-750CL-0L-MAG
G00001-a1-T1-B2-Rm4-P0-L1	15°-1T-110w-750CL-50L-MAG	G00001-a2-T1-B2-Rm4-P0-L1	30°-1T-110w-750CL-50L-MAG	G00001-a3-T1-B2-Rm4-P0-L1	45°-1T-110w-750CL-50L-MAG
G00001-a1-T1-B2-Rm4-P0-L2	15°-1T-110w-750CL-100L-MAG	G00001-a2-T1-B2-Rm4-P0-L2	30°-1T-110w-750CL-100L-MAG	G00001-a3-T1-B2-Rm4-P0-L2	45°-1T-110w-750CL-100L-MAG
G00001-a1-T1-B2-Rm4-P0-L3	15°-1T-110w-750CL-125L-MAG	G00001-a2-T1-B2-Rm4-P0-L3	30°-1T-110w-750CL-125L-MAG	G00001-a3-T1-B2-Rm4-P0-L3	45°-1T-110w-750CL-125L-MAG
$\alpha 60^\circ$		$\alpha 75^\circ$		$\alpha 90^\circ$	
CODE	DESCRIPTION	CODE	DESCRIPTION	CODE	DESCRIPTION
G00001-a4-T1-B2-Rm4-P0-L0	60°-1T-110w-750CL-0L-MAG	G00001-a5-T1-B2-Rm4-P0-L0	75°-1T-110w-750CL-0L-MAG	G00001-a6-T1-B2-Rm4-P0-L0	90°-1T-110w-750CL-0L-MAG
G00001-a4-T1-B2-Rm4-P0-L1	60°-1T-110w-750CL-50L-MAG	G00001-a5-T1-B2-Rm4-P0-L1	75°-1T-110w-750CL-50L-MAG	G00001-a6-T1-B2-Rm4-P0-L1	90°-1T-110w-750CL-50L-MAG
G00001-a4-T1-B2-Rm4-P0-L2	60°-1T-110w-750CL-100L-MAG	G00001-a5-T1-B2-Rm4-P0-L2	75°-1T-110w-750CL-100L-MAG	G00001-a6-T1-B2-Rm4-P0-L2	90°-1T-110w-750CL-100L-MAG
G00001-a4-T1-B2-Rm4-P0-L3	60°-1T-110w-750CL-125L-MAG	G00001-a5-T1-B2-Rm4-P0-L3	75°-1T-110w-750CL-125L-MAG	G00001-a6-T1-B2-Rm4-P0-L3	90°-1T-110w-750CL-125L-MAG

NON STANDARD SIZES ARE AVAILABLE ON REQUEST.
STANDARD ORDER QTY: PER SET



LEAD IN & OUT AVAILABLE IN
 125mm - 100mm - 50mm AND WITHOUT

Rm = 500mm - SINGLE TRACK

$\alpha 15^\circ$		$\alpha 30^\circ$		$\alpha 45^\circ$	
CODE	DESCRIPTION	CODE	DESCRIPTION	CODE	DESCRIPTION
G00001-a1-T1-B3-Rm1-P0-L0	15°-1T-111w-500CL-0L-MAG	G00001-a2-T1-B3-Rm1-P0-L0	30°-1T-111w-500CL-0L-MAG	G00001-a3-T1-B3-Rm1-P0-L0	45°-1T-111w-500CL-0L-MAG
G00001-a1-T1-B3-Rm1-P0-L1	15°-1T-111w-500CL-50L-MAG	G00001-a2-T1-B3-Rm1-P0-L1	30°-1T-111w-500CL-50L-MAG	G00001-a3-T1-B3-Rm1-P0-L1	45°-1T-111w-500CL-50L-MAG
G00001-a1-T1-B3-Rm1-P0-L2	15°-1T-111w-500CL-100L-MAG	G00001-a2-T1-B3-Rm1-P0-L2	30°-1T-111w-500CL-100L-MAG	G00001-a3-T1-B3-Rm1-P0-L2	45°-1T-111w-500CL-100L-MAG
G00001-a1-T1-B3-Rm1-P0-L3	15°-1T-111w-500CL-125L-MAG	G00001-a2-T1-B3-Rm1-P0-L3	30°-1T-111w-500CL-125L-MAG	G00001-a3-T1-B3-Rm1-P0-L3	45°-1T-111w-500CL-125L-MAG
$\alpha 60^\circ$		$\alpha 75^\circ$		$\alpha 90^\circ$	
CODE	DESCRIPTION	CODE	DESCRIPTION	CODE	DESCRIPTION
G00001-a4-T1-B3-Rm1-P0-L0	60°-1T-111w-500CL-0L-MAG	G00001-a5-T1-B3-Rm1-P0-L0	75°-1T-111w-500CL-0L-MAG	G00001-a6-T1-B3-Rm1-P0-L0	90°-1T-111w-500CL-0L-MAG
G00001-a4-T1-B3-Rm1-P0-L1	60°-1T-111w-500CL-50L-MAG	G00001-a5-T1-B3-Rm1-P0-L1	75°-1T-111w-500CL-50L-MAG	G00001-a6-T1-B3-Rm1-P0-L1	90°-1T-111w-500CL-50L-MAG
G00001-a4-T1-B3-Rm1-P0-L2	60°-1T-111w-500CL-100L-MAG	G00001-a5-T1-B3-Rm1-P0-L2	75°-1T-111w-500CL-100L-MAG	G00001-a6-T1-B3-Rm1-P0-L2	90°-1T-111w-500CL-100L-MAG
G00001-a4-T1-B3-Rm1-P0-L3	60°-1T-111w-500CL-125L-MAG	G00001-a5-T1-B3-Rm1-P0-L3	75°-1T-111w-500CL-125L-MAG	G00001-a6-T1-B3-Rm1-P0-L3	90°-1T-111w-500CL-125L-MAG

NON STANDARD SIZES ARE AVAILABLE ON REQUEST.
 STANDARD ORDER QTY: PER SET



CHAINS/BELTS
 PG. A8 & PG. B11



MATERIALS



TABLE OF
 CONTENTS

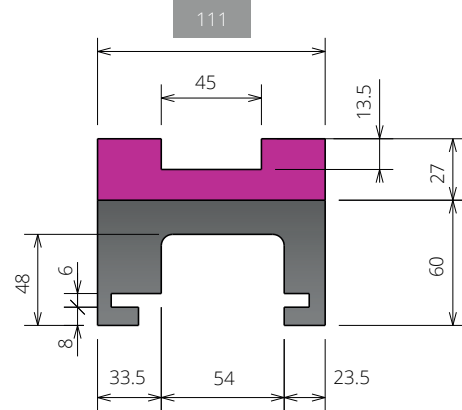
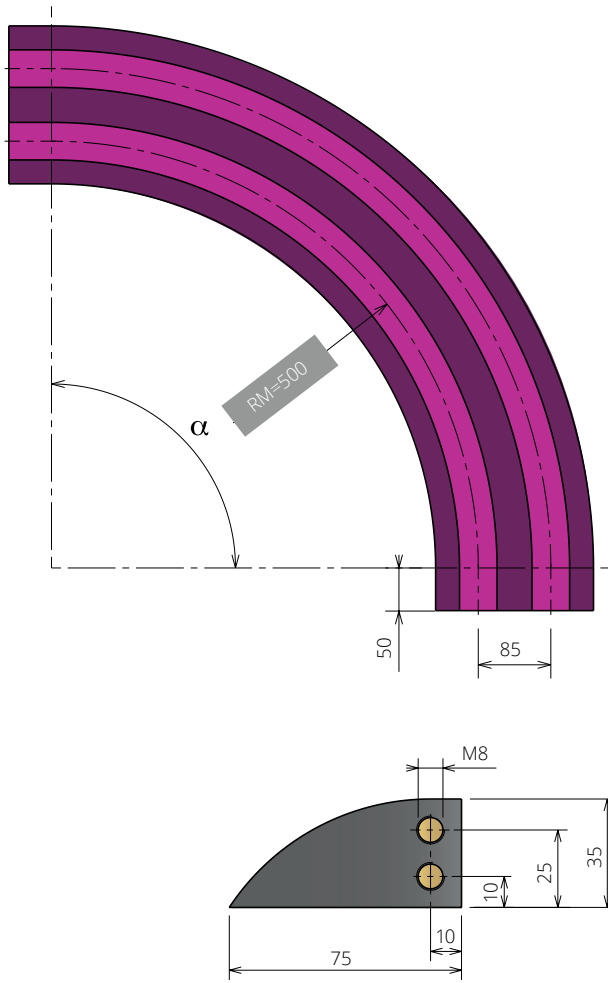


BACK TO CORNER TRACKS/
 CURVES/BENDS INDEX (G)

G00001

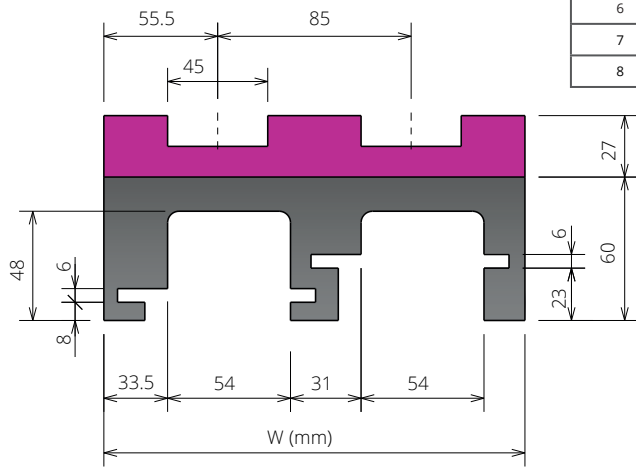
879M-K325 - 880M-K325 - 880M-K330 881M-K325
- 881M-K330 SERIES

MAGNETIC CURVES/BENDS -
500mm CENTERLINE - 111mm WIDE - 85mm
PITCH - 50mm LEAD IN AND LEAD OUT



SINGLE TRACK - G00001-a6-T1-B3- Rm1-P0- L1

TRACKS	W
1	111
2	196
3	281
4	366
5	451
6	536
7	621
8	706



MULTI TRACK - G00001-a6- T2-B3-Rm1-P1-L1

Rm = 500mm - MULTI TRACK - 50mm LEAD IN / LEAD OUT

$\alpha 15^\circ$		$\alpha 30^\circ$		$\alpha 45^\circ$	
CODE	DESCRIPTION	CODE	DESCRIPTION	CODE	DESCRIPTION
G00001-a1-T1-B3-Rm1-P0-L1	15°-1T-111w-500CL-50L-MAG	G00001-a2-T1-B3-Rm1-P0-L1	30°-1T-111w-500CL-50L-MAG	G00001-a3-T1-B3-Rm1-P0-L1	45°-1T-111w-500CL-50L-MAG
G00001-a1-T2-B3-Rm1-P1-L1	15°-2T-111w-500CL-P85-50L-MAG	G00001-a2-T2-B3-Rm1-P1-L1	30°-2T-111w-500CL-P85-50L-MAG	G00001-a3-T2-B3-Rm1-P1-L1	45°-2T-111w-500CL-P85-50L-MAG
G00001-a1-T3-B3-Rm1-P1-L1	15°-3T-111w-500CL-P85-50L-MAG	G00001-a2-T3-B3-Rm1-P1-L1	30°-3T-111w-500CL-P85-50L-MAG	G00001-a3-T3-B3-Rm1-P1-L1	45°-3T-111w-500CL-P85-50L-MAG
G00001-a1-T4-B3-Rm1-P1-L1	15°-4T-111w-500CL-P85-50L-MAG	G00001-a2-T4-B3-Rm1-P1-L1	30°-4T-111w-500CL-P85-50L-MAG	G00001-a3-T4-B3-Rm1-P1-L1	45°-4T-111w-500CL-P85-50L-MAG
G00001-a1-T5-B3-Rm1-P1-L1	15°-5T-111w-500CL-P85-50L-MAG	G00001-a2-T5-B3-Rm1-P1-L1	30°-5T-111w-500CL-P85-50L-MAG	G00001-a3-T5-B3-Rm1-P1-L1	45°-5T-111w-500CL-P85-50L-MAG
G00001-a1-T6-B3-Rm1-P1-L1	15°-6T-111w-500CL-P85-50L-MAG	G00001-a2-T6-B3-Rm1-P1-L1	30°-6T-111w-500CL-P85-50L-MAG	G00001-a3-T6-B3-Rm1-P1-L1	45°-6T-111w-500CL-P85-50L-MAG
G00001-a1-T7-B3-Rm1-P1-L1	15°-7T-111w-500CL-P85-50L-MAG	G00001-a2-T7-B3-Rm1-P1-L1	30°-7T-111w-500CL-P85-50L-MAG	G00001-a3-T7-B3-Rm1-P1-L1	45°-7T-111w-500CL-P85-50L-MAG
G00001-a1-T8-B3-Rm1-P1-L1	15°-8T-111w-500CL-P85-50L-MAG	G00001-a2-T8-B3-Rm1-P1-L1	30°-8T-111w-500CL-P85-50L-MAG	G00001-a3-T8-B3-Rm1-P1-L1	45°-8T-111w-500CL-P85-50L-MAG
$\alpha 60^\circ$		$\alpha 75^\circ$		$\alpha 90^\circ$	
CODE	DESCRIPTION	CODE	DESCRIPTION	CODE	DESCRIPTION
G00001-a4-T1-B3-Rm1-P0-L1	60°-1T-111w- 500CL-50L-MAG	G00001-a5-T1-B3-Rm1-P0-L1	75°-1T-111w-500CL-50L-MAG	G00001-a6-T1-B3-Rm1-P0-L1	90°-1T-111w-500CL-50L-MAG
G00001-a4-T2-B3-Rm1-P1-L1	60°-2T-111w-500CL-P85-50L-MAG	G00001-a5-T2-B3-Rm1-P1-L1	75°-2T-111w-500CL-P85-50L-MAG	G00001-a6-T2-B3-Rm1-P1-L1	90°-2T-111w-500CL-P85-50L- MAG
G00001-a4-T3-B3-Rm1-P1-L1	60°-3T-111w-500CL-P85-50L-MAG	G00001-a5-T3-B3-Rm1-P1-L1	75°-3T-111w-500CL-P85-50L-MAG	G00001-a6-T3-B3-Rm1-P1-L1	90°-3T-111w-500CL-P85-50L-MAG
G00001-a4-T4-B3-Rm1-P1-L1	60°-4T-111w-500CL-P85-50L-MAG	G00001-a5-T4-B3-Rm1-P1-L1	75°-4T-111w-500CL-P85-50L-MAG	G00001-a6-T4-B3-Rm1-P1-L1	90°-4T-111w-500CL-P85-50L-MAG
G00001-a4-T5-B3-Rm1-P1-L1	60°-5T-111w-500CL-P85-50L-MAG	G00001-a5-T5-B3-Rm1-P1-L1	75°-5T-111w-500CL-P85-50L-MAG	G00001-a6-T5-B3-Rm1-P1-L1	90°-5T-111w-500CL-P85-50L-MAG
G00001-a4-T6-B3-Rm1-P1-L1	60°-6T-111w-500CL-P85-50L-MAG	G00001-a5-T6-B3-Rm1-P1-L1	75°-6T-111w-500CL-P85-50L-MAG	G00001-a6-T6-B3-Rm1-P1-L1	90°-6T-111w-500CL-P85-50L-MAG
G00001-a4-T7-B3-Rm1-P1-L1	60°-7T-111w-500CL-P85-50L-MAG	G00001-a5-T7-B3-Rm1-P1-L1	75°-7T-111w-500CL-P85-50L-MAG	G00001-a6-T7-B3-Rm1-P1-L1	90°-7T-111w-500CL-P85-50L-MAG
G00001-a4-T8-B3-Rm1-P1-L1	60°-8T-111w-500CL-P85-50L-MAG	G00001-a5-T8-B3-Rm1-P1-L1	75°-8T-111w-500CL-P85-50L-MAG	G00001-a6-T8-B3-Rm1-P1-L1	90°-8T-111w-500CL-P85-50L-MAG

NON STANDARD SIZES ARE AVAILABLE ON REQUEST.
STANDARD ORDER QTY: PER SET



CHAINS/BELTS
PG. A8 & PG. B11



MATERIALS



TABLE OF
CONTENTS



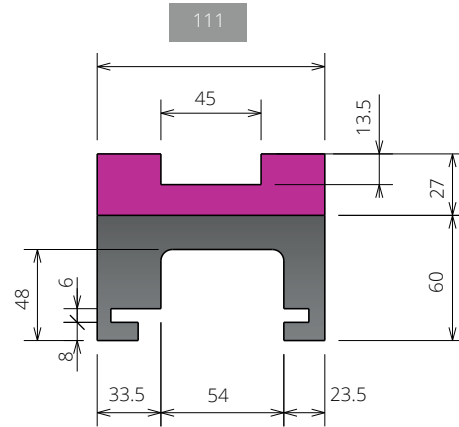
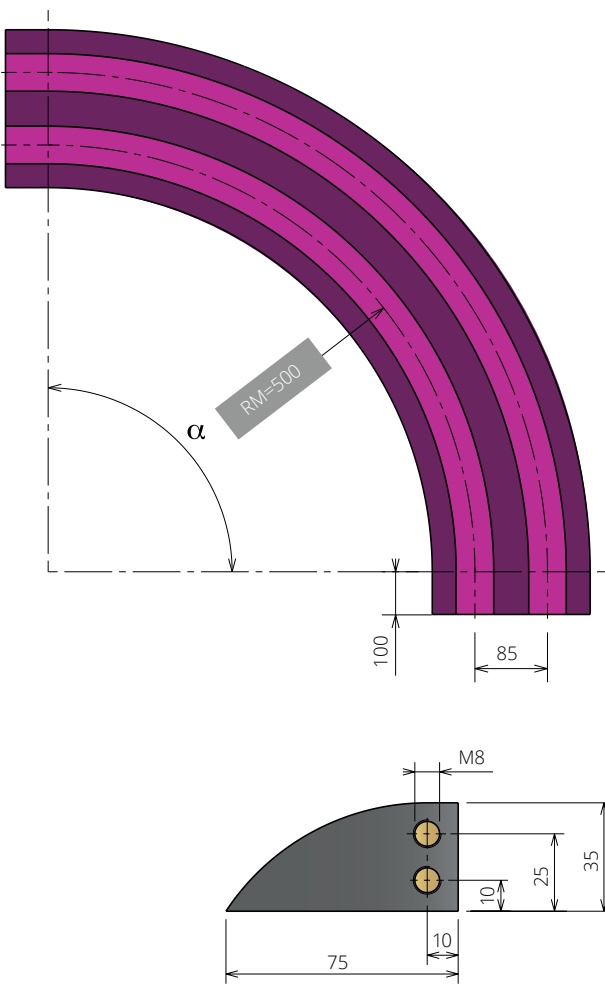
BACK TO CORNER TRACKS/
CURVES/BENDS INDEX (G)

WWW.IRP.CO.ZA

G00001

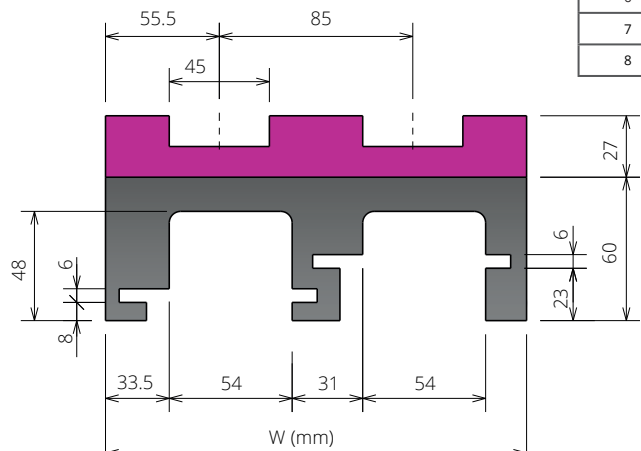
879M-K325 - 880M-K325 - 880M-K330 881M-K325
- 881M-K330 SERIES

MAGNETIC CURVES/BENDS -
500mm CENTERLINE - 111mm WIDE - 85mm
PITCH - 100mm LEAD IN AND LEAD OUT



SINGLE TRACK - G00001-a6-T1-B3- Rm1-P0- L2

TRACKS	W
1	111
2	196
3	281
4	366
5	451
6	536
7	621
8	706



MULTI TRACK - G00001-a6- T2-B3- Rm1-P1-L2

Rm = 500mm - MULTI TRACK - 100mm LEAD IN / LEAD OUT

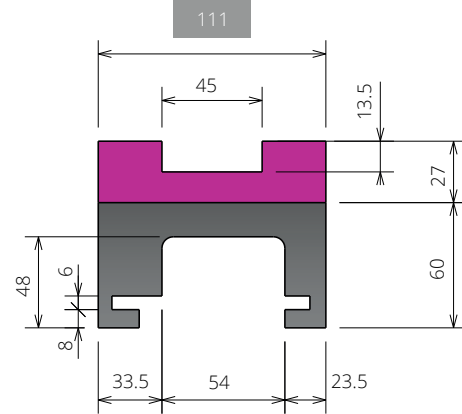
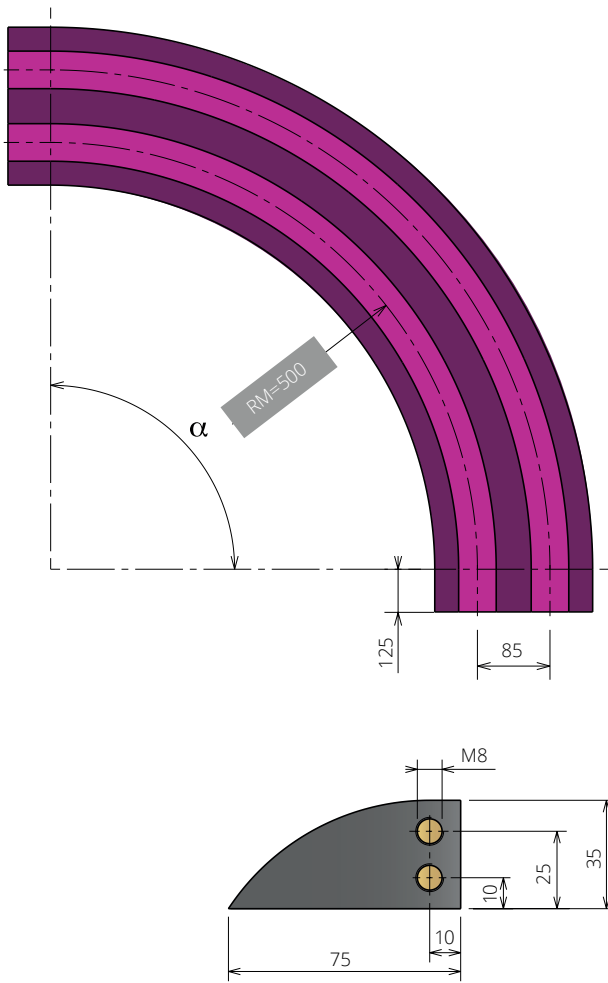
α 15°		α 30°		α 45°	
CODE	DESCRIPTION	CODE	DESCRIPTION	CODE	DESCRIPTION
G00001-a1-T1-B3-Rm1-P0-L2	15°-1T-111w-500CL-100L-MAG	G00001-a2-T1-B3-Rm1-P0-L2	30°-1T-111w-500CL-100L-MAG	G00001-a3-T1-B3-Rm1-P0-L2	45°-1T-111w-500CL-100L-MAG
G00001-a1-T2-B3-Rm1-P1-L2	15°-2T-111w-500CL-P85-100L-MAG	G00001-a2-T2-B3-Rm1-P1-L2	30°-2T-111w-500CL-P85-100L-MAG	G00001-a3-T2-B3-Rm1-P1-L2	45°-2T-111w-500CL-P85-100L-MAG
G00001-a1-T3-B3-Rm1-P1-L2	15°-3T-111w-500CL-P85-100L-MAG	G00001-a2-T3-B3-Rm1-P1-L2	30°-3T-111w-500CL-P85-100L-MAG	G00001-a3-T3-B3-Rm1-P1-L2	45°-3T-111w-500CL-P85-100L-MAG
G00001-a1-T4-B3-Rm1-P1-L2	15°-4T-111w-500CL-P85-100L-MAG	G00001-a2-T4-B3-Rm1-P1-L2	30°-4T-111w-500CL-P85-100L-MAG	G00001-a3-T4-B3-Rm1-P1-L2	45°-4T-111w-500CL-P85-100L-MAG
G00001-a1-T5-B3-Rm1-P1-L2	15°-5T-111w-500CL-P85-100L-MAG	G00001-a2-T5-B3-Rm1-P1-L2	30°-5T-111w-500CL-P85-100L-MAG	G00001-a3-T5-B3-Rm1-P1-L2	45°-5T-111w-500CL-P85-100L-MAG
G00001-a1-T6-B3-Rm1-P1-L2	15°-6T-111w-500CL-P85-100L-MAG	G00001-a2-T6-B3-Rm1-P1-L2	30°-6T-111w-500CL-P85-100L-MAG	G00001-a3-T6-B3-Rm1-P1-L2	45°-6T-111w-500CL-P85-100L-MAG
G00001-a1-T7-B3-Rm1-P1-L2	15°-7T-111w-500CL-P85-100L-MAG	G00001-a2-T7-B3-Rm1-P1-L2	30°-7T-111w-500CL-P85-100L-MAG	G00001-a3-T7-B3-Rm1-P1-L2	45°-7T-111w-500CL-P85-100L-MAG
G00001-a1-T8-B3-Rm1-P1-L2	15°-8T-111w-500CL-P85-100L-MAG	G00001-a2-T8-B3-Rm1-P1-L2	30°-8T-111w-500CL-P85-100L-MAG	G00001-a3-T8-B3-Rm1-P1-L2	45°-8T-111w-500CL-P85-100L-MAG
α 60°		α 75°		α 90°	
CODE	DESCRIPTION	CODE	DESCRIPTION	CODE	DESCRIPTION
G00001-a4-T1-B3-Rm1-P0-L2	60°-1T-111w-500CL-100L-MAG	G00001-a5-T1-B3-Rm1-P0-L2	75°-1T-111w-500CL-100L-MAG	G00001-a6-T1-B3-Rm1-P0-L2	90°-1T-111w-500CL-100L-MAG
G00001-a4-T2-B3-Rm1-P1-L2	60°-2T-111w-500CL-P85-100L-MAG	G00001-a5-T2-B3-Rm1-P1-L2	75°-2T-111w-500CL-P85-100L-MAG	G00001-a6-T2-B3-Rm1-P1-L2	90°-2T-111w-500CL-P85-100L-MAG
G00001-a4-T3-B3-Rm1-P1-L2	60°-3T-111w-500CL-P85-100L-MAG	G00001-a5-T3-B3-Rm1-P1-L2	75°-3T-111w-500CL-P85-100L-MAG	G00001-a6-T3-B3-Rm1-P1-L2	90°-3T-111w-500CL-P85-100L-MAG
G00001-a4-T4-B3-Rm1-P1-L2	60°-4T-111w-500CL-P85-100L-MAG	G00001-a5-T4-B3-Rm1-P1-L2	75°-4T-111w-500CL-P85-100L-MAG	G00001-a6-T4-B3-Rm1-P1-L2	90°-4T-111w-500CL-P85-100L-MAG
G00001-a4-T5-B3-Rm1-P1-L2	60°-5T-111w-500CL-P85-100L-MAG	G00001-a5-T5-B3-Rm1-P1-L2	75°-5T-111w-500CL-P85-100L-MAG	G00001-a6-T5-B3-Rm1-P1-L2	90°-5T-111w-500CL-P85-100L-MAG
G00001-a4-T6-B3-Rm1-P1-L2	60°-6T-111w-500CL-P85-100L-MAG	G00001-a5-T6-B3-Rm1-P1-L2	75°-6T-111w-500CL-P85-100L-MAG	G00001-a6-T6-B3-Rm1-P1-L2	90°-6T-111w-500CL-P85-100L-MAG
G00001-a4-T7-B3-Rm1-P1-L2	60°-7T-111w-500CL-P85-100L-MAG	G00001-a5-T7-B3-Rm1-P1-L2	75°-7T-111w-500CL-P85-100L-MAG	G00001-a6-T7-B3-Rm1-P1-L2	90°-7T-111w-500CL-P85-100L-MAG
G00001-a4-T8-B3-Rm1-P1-L2	60°-8T-111w-500CL-P85-100L-MAG	G00001-a5-T8-B3-Rm1-P1-L2	75°-8T-111w-500CL-P85-100L-MAG	G00001-a6-T8-B3-Rm1-P1-L2	90°-8T-111w-500CL-P85-100L-MAG

NON STANDARD SIZES ARE AVAILABLE ON REQUEST.
STANDARD ORDER QTY: PER SET

G00001

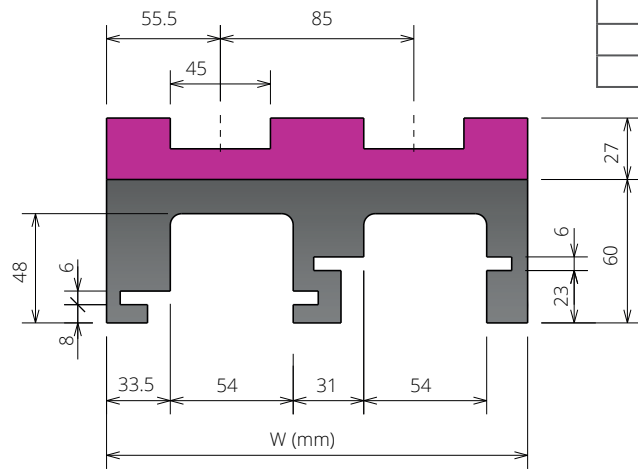
879M-K325 - 880M-K325 - 880M-K330 881M-K325
- 881M-K330 SERIES

MAGNETIC CURVES/BENDS -
500mm CENTERLINE - 111mm WIDE - 85mm
PITCH - 125mm LEAD IN AND LEAD OUT



SINGLE TRACK - G00001-a6-T1-B3- Rm1-P0-L3

TRACKS	W
1	111
2	196
3	281
4	366
5	451
6	536
7	621
8	706

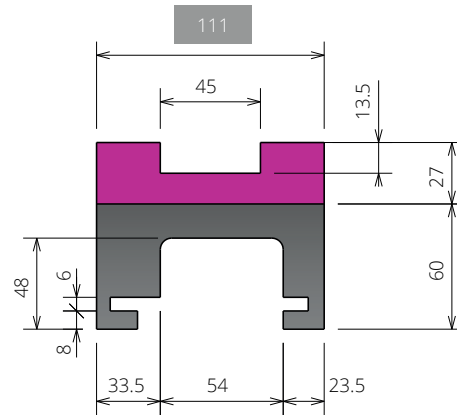
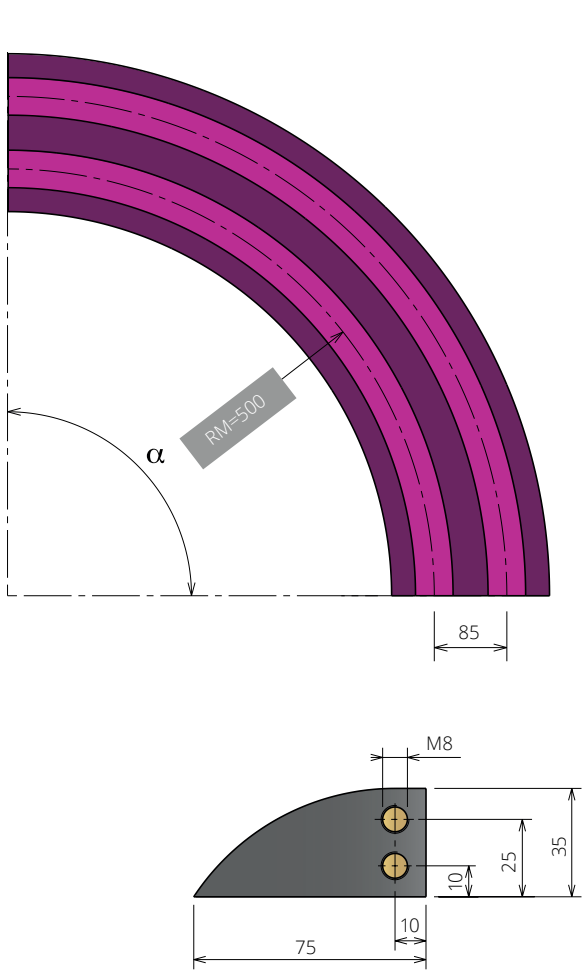


MULTI TRACK - G00001-a6- T2-B3- Rm1-P1-L3

Rm = 500mm - MULTI TRACK - 125mm LEAD IN / LEAD OUT

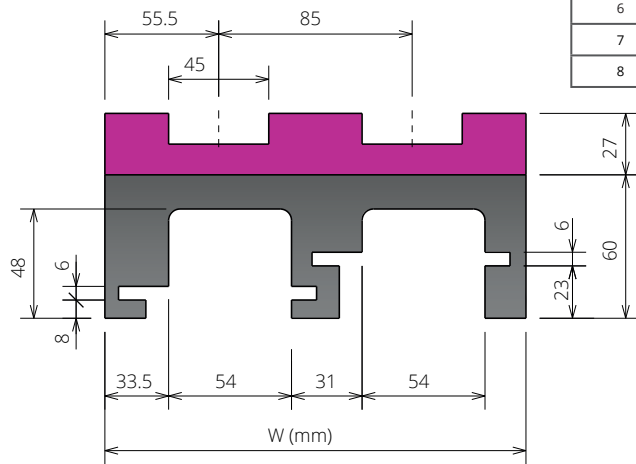
α 15°		α 30°		α 45°	
CODE	DESCRIPTION	CODE	DESCRIPTION	CODE	DESCRIPTION
G00001-a1-T1-B3-Rm1-P0-L3	15°-1T-111w-500CL-125L-MAG	G00001-a2-T1-B3-Rm1-P0-L3	30°-1T-111w-500CL-125L-MAG	G00001-a3-T1-B3-Rm1-P0-L3	45°-1T-111w-500CL-125L-MAG
G00001-a1-T2-B3-Rm1-P1-L3	15°-2T-111w-500CL-P85-125L-MAG	G00001-a2-T2-B3-Rm1-P1-L3	30°-2T-111w-500CL-P85-125L-MAG	G00001-a3-T2-B3-Rm1-P1-L3	45°-2T-111w-500CL-P85-125L-MAG
G00001-a1-T3-B3-Rm1-P1-L3	15°-3T-111w-500CL-P85-125L-MAG	G00001-a2-T3-B3-Rm1-P1-L3	30°-3T-111w-500CL-P85-125L-MAG	G00001-a3-T3-B3-Rm1-P1-L3	45°-3T-111w-500CL-P85-125L-MAG
G00001-a1-T4-B3-Rm1-P1-L3	15°-4T-111w-500CL-P85-125L-MAG	G00001-a2-T4-B3-Rm1-P1-L3	30°-4T-111w-500CL-P85-125L-MAG	G00001-a3-T4-B3-Rm1-P1-L3	45°-4T-111w-500CL-P85-125L-MAG
G00001-a1-T5-B3-Rm1-P1-L3	15°-5T-111w-500CL-P85-125L-MAG	G00001-a2-T5-B3-Rm1-P1-L3	30°-5T-111w-500CL-P85-125L-MAG	G00001-a3-T5-B3-Rm1-P1-L3	45°-5T-111w-500CL-P85-125L-MAG
G00001-a1-T6-B3-Rm1-P1-L3	15°-6T-111w-500CL-P85-125L-MAG	G00001-a2-T6-B3-Rm1-P1-L3	30°-6T-111w-500CL-P85-125L-MAG	G00001-a3-T6-B3-Rm1-P1-L3	45°-6T-111w-500CL-P85-125L-MAG
G00001-a1-T7-B3-Rm1-P1-L3	15°-7T-111w-500CL-P85-125L-MAG	G00001-a2-T7-B3-Rm1-P1-L3	30°-7T-111w-500CL-P85-125L-MAG	G00001-a3-T7-B3-Rm1-P1-L3	45°-7T-111w-500CL-P85-125L-MAG
G00001-a1-T8-B3-Rm1-P1-L3	15°-8T-111w-500CL-P85-125L-MAG	G00001-a2-T8-B3-Rm1-P1-L3	30°-8T-111w-500CL-P85-125L-MAG	G00001-a3-T8-B3-Rm1-P1-L3	45°-8T-111w-500CL-P85-125L-MAG
α 60°		α 75°		α 90°	
CODE	DESCRIPTION	CODE	DESCRIPTION	CODE	DESCRIPTION
G00001-a4-T1-B3-Rm1-P0-L3	60°-1T-111w-500CL-125L-MAG	G00001-a5-T1-B3-Rm1-P0-L3	75°-1T-111w-500CL-125L-MAG	G00001-a6-T1-B3-Rm1-P0-L3	90°-1T-111w-500CL-125L-MAG
G00001-a4-T2-B3-Rm1-P1-L3	60°-2T-111w-500CL-P85-125L-MAG	G00001-a5-T2-B3-Rm1-P1-L3	75°-2T-111w-500CL-P85-125L-MAG	G00001-a6-T2-B3-Rm1-P1-L3	90°-2T-111w-500CL-P85-125L-MAG
G00001-a4-T3-B3-Rm1-P1-L3	60°-3T-111w-500CL-P85-125L-MAG	G00001-a5-T3-B3-Rm1-P1-L3	75°-3T-111w-500CL-P85-125L-MAG	G00001-a6-T3-B3-Rm1-P1-L3	90°-3T-111w-500CL-P85-125L-MAG
G00001-a4-T4-B3-Rm1-P1-L3	60°-4T-111w-500CL-P85-125L-MAG	G00001-a5-T4-B3-Rm1-P1-L3	75°-4T-111w-500CL-P85-125L-MAG	G00001-a6-T4-B3-Rm1-P1-L3	90°-4T-111w-500CL-P85-125L-MAG
G00001-a4-T5-B3-Rm1-P1-L3	60°-5T-111w-500CL-P85-125L-MAG	G00001-a5-T5-B3-Rm1-P1-L3	75°-5T-111w-500CL-P85-125L-MAG	G00001-a6-T5-B3-Rm1-P1-L3	90°-5T-111w-500CL-P85-125L-MAG
G00001-a4-T6-B3-Rm1-P1-L3	60°-6T-111w-500CL-P85-125L-MAG	G00001-a5-T6-B3-Rm1-P1-L3	75°-6T-111w-500CL-P85-125L-MAG	G00001-a6-T6-B3-Rm1-P1-L3	90°-6T-111w-500CL-P85-125L-MAG
G00001-a4-T7-B3-Rm1-P1-L3	60°-7T-111w-500CL-P85-125L-MAG	G00001-a5-T7-B3-Rm1-P1-L3	75°-7T-111w-500CL-P85-125L-MAG	G00001-a6-T7-B3-Rm1-P1-L3	90°-7T-111w-500CL-P85-125L-MAG
G00001-a4-T8-B3-Rm1-P1-L3	60°-8T-111w-500CL-P85-125L-MAG	G00001-a5-T8-B3-Rm1-P1-L3	75°-8T-111w-500CL-P85-125L-MAG	G00001-a6-T8-B3-Rm1-P1-L3	90°-8T-111w-500CL-P85-125L-MAG

NON STANDARD SIZES ARE AVAILABLE ON REQUEST.
STANDARD ORDER QTY: PER SET



SINGLE TRACK - G00001-a6-T1-B3- Rm1-P0-L0

TRACKS	W
1	111
2	196
3	281
4	366
5	451
6	536
7	621
8	706

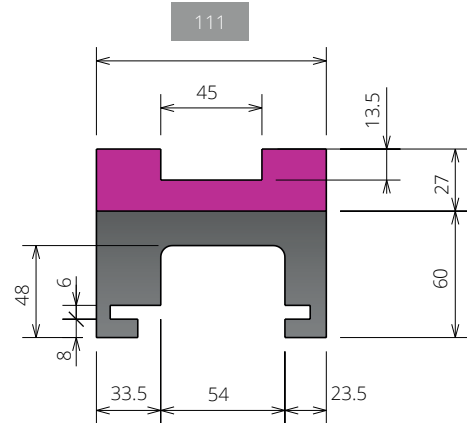
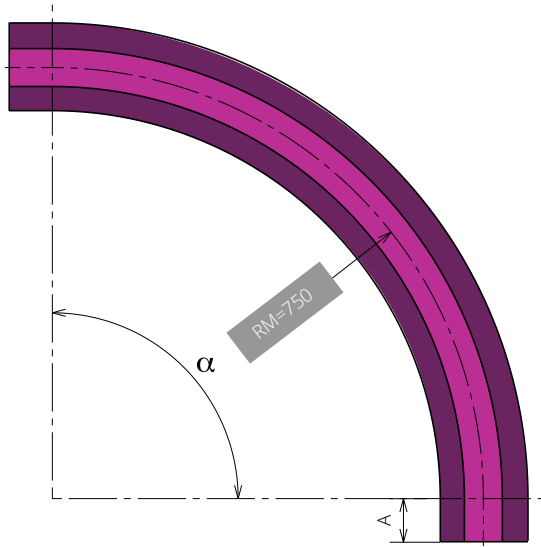


MULTI TRACK - G00001-a6-T2-B3-Rm1-P1-L0

Rm = 500mm - MULTI TRACK - NO LEAD IN / LEAD OUT

$\alpha 15^\circ$		$\alpha 30^\circ$		$\alpha 45^\circ$	
CODE	DESCRIPTION	CODE	DESCRIPTION	CODE	DESCRIPTION
G00001-a1-T1-B3-Rm1-P0-L0	15°-1T-111w-500CL-0L-MAG	G00001-a2-T1-B3-Rm1-P0-L0	30°-1T-111w-500CL-0L-MAG	G00001-a3-T1-B3-Rm1-P0-L0	45°-1T-111w-500CL-0L-MAG
G00001-a1-T2-B3-Rm1-P1-L0	15°-2T-111w-500CL-P85-0L-MAG	G00001-a2-T2-B3-Rm1-P1-L0	30°-2T-111w-500CL-P85-0L-MAG	G00001-a3-T2-B3-Rm1-P1-L0	45°-2T-111w-500CL-P85-0L-MAG
G00001-a1-T3-B3-Rm1-P1-L0	15°-3T-111w-500CL-P85-0L-MAG	G00001-a2-T3-B3-Rm1-P1-L0	30°-3T-111w-500CL-P85-0L-MAG	G00001-a3-T3-B3-Rm1-P1-L0	45°-3T-111w-500CL-P85-0L-MAG
G00001-a1-T4-B3-Rm1-P1-L0	15°-4T-111w-500CL-P85-0L-MAG	G00001-a2-T4-B3-Rm1-P1-L0	30°-4T-111w-500CL-P85-0L-MAG	G00001-a3-T4-B3-Rm1-P1-L0	45°-4T-111w-500CL-P85-0L-MAG
G00001-a1-T5-B3-Rm1-P1-L0	15°-5T-111w-500CL-P85-0L-MAG	G00001-a2-T5-B3-Rm1-P1-L0	30°-5T-111w-500CL-P85-0L-MAG	G00001-a3-T5-B3-Rm1-P1-L0	45°-5T-111w-500CL-P85-0L-MAG
G00001-a1-T6-B3-Rm1-P1-L0	15°-6T-111w-500CL-P85-0L-MAG	G00001-a2-T6-B3-Rm1-P1-L0	30°-6T-111w-500CL-P85-0L-MAG	G00001-a3-T6-B3-Rm1-P1-L0	45°-6T-111w-500CL-P85-0L-MAG
G00001-a1-T7-B3-Rm1-P1-L0	15°-7T-111w-500CL-P85-0L-MAG	G00001-a2-T7-B3-Rm1-P1-L0	30°-7T-111w-500CL-P85-0L-MAG	G00001-a3-T7-B3-Rm1-P1-L0	45°-7T-111w-500CL-P85-0L-MAG
G00001-a1-T8-B3-Rm1-P1-L0	15°-8T-111w-500CL-P85-0L-MAG	G00001-a2-T8-B3-Rm1-P1-L0	30°-8T-111w-500CL-P85-0L-MAG	G00001-a3-T8-B3-Rm1-P1-L0	45°-8T-111w-500CL-P85-0L-MAG
$\alpha 60^\circ$		$\alpha 75^\circ$		$\alpha 90^\circ$	
CODE	DESCRIPTION	CODE	DESCRIPTION	CODE	DESCRIPTION
G00001-a4-T1-B3-Rm1-P0-L0	60°-1T-111w-500CL-0L-MAG	G00001-a5-T1-B3-Rm1-P0-L0	75°-1T-111w-500CL-0L-MAG	G00001-a6-T1-B3-Rm1-P0-L0	90°-1T-111w-500CL-0L-MAG
G00001-a4-T2-B3-Rm1-P1-L0	60°-2T-111w-500CL-P85-0L-MAG	G00001-a5-T2-B3-Rm1-P1-L0	75°-2T-111w-500CL-P85-0L-MAG	G00001-a6-T2-B3-Rm1-P1-L0	90°-2T-111w-500CL-P85-0L-MAG
G00001-a4-T3-B3-Rm1-P1-L0	60°-3T-111w-500CL-P85-0L-MAG	G00001-a5-T3-B3-Rm1-P1-L0	75°-3T-111w-500CL-P85-0L-MAG	G00001-a6-T3-B3-Rm1-P1-L0	90°-3T-111w-500CL-P85-0L-MAG
G00001-a4-T4-B3-Rm1-P1-L0	60°-4T-111w-500CL-P85-0L-MAG	G00001-a5-T4-B3-Rm1-P1-L0	75°-4T-111w-500CL-P85-0L-MAG	G00001-a6-T4-B3-Rm1-P1-L0	90°-4T-111w-500CL-P85-0L-MAG
G00001-a4-T5-B3-Rm1-P1-L0	60°-5T-111w-500CL-P85-0L-MAG	G00001-a5-T5-B3-Rm1-P1-L0	75°-5T-111w-500CL-P85-0L-MAG	G00001-a6-T5-B3-Rm1-P1-L0	90°-5T-111w-500CL-P85-0L-MAG
G00001-a4-T6-B3-Rm1-P1-L0	60°-6T-111w-500CL-P85-0L-MAG	G00001-a5-T6-B3-Rm1-P1-L0	75°-6T-111w-500CL-P85-0L-MAG	G00001-a6-T6-B3-Rm1-P1-L0	90°-6T-111w-500CL-P85-0L-MAG
G00001-a4-T7-B3-Rm1-P1-L0	60°-7T-111w-500CL-P85-0L-MAG	G00001-a5-T7-B3-Rm1-P1-L0	75°-7T-111w-500CL-P85-0L-MAG	G00001-a6-T7-B3-Rm1-P1-L0	90°-7T-111w-500CL-P85-0L-MAG
G00001-a4-T8-B3-Rm1-P1-L0	60°-8T-111w-500CL-P85-0L-MAG	G00001-a5-T8-B3-Rm1-P1-L0	75°-8T-111w-500CL-P85-0L-MAG	G00001-a6-T8-B3-Rm1-P1-L0	90°-8T-111w-500CL-P85-0L-MAG

NON STANDARD SIZES ARE AVAILABLE ON REQUEST.
 STANDARD ORDER QTY: PER SET



LEAD IN & OUT AVAILABLE IN
 125mm - 100mm - 50mm AND WITHOUT

Rm = 750mm - SINGLE TRACK

$\alpha 15^\circ$		$\alpha 30^\circ$		$\alpha 45^\circ$	
CODE	DESCRIPTION	CODE	DESCRIPTION	CODE	DESCRIPTION
G00001-a1-T1-B3-Rm4-P0-L0	15°-1T-111w-750CL-0L-MAG	G00001-a2-T1-B3-Rm4-P0-L0	30°-1T-111w-750CL-0L-MAG	G00001-a3-T1-B3-Rm4-P0-L0	45°-1T-111w-750CL-0L-MAG
G00001-a1-T1-B3-Rm4-P0-L1	15°-1T-111w-750CL-50L-MAG	G00001-a2-T1-B3-Rm4-P0-L1	30°-1T-111w-750CL-50L-MAG	G00001-a3-T1-B3-Rm4-P0-L1	45°-1T-111w-750CL-50L-MAG
G00001-a1-T1-B3-Rm4-P0-L2	15°-1T-111w-750CL-100L-MAG	G00001-a2-T1-B3-Rm4-P0-L2	30°-1T-111w-750CL-100L-MAG	G00001-a3-T1-B3-Rm4-P0-L2	45°-1T-111w-750CL-100L-MAG
G00001-a1-T1-B3-Rm4-P0-L3	15°-1T-111w-750CL-125L-MAG	G00001-a2-T1-B3-Rm4-P0-L3	30°-1T-111w-750CL-125L-MAG	G00001-a3-T1-B3-Rm4-P0-L3	45°-1T-111w-750CL-125L-MAG
$\alpha 60^\circ$		$\alpha 75^\circ$		$\alpha 90^\circ$	
CODE	DESCRIPTION	CODE	DESCRIPTION	CODE	DESCRIPTION
G00001-a4-T1-B3-Rm4-P0-L0	60°-1T-111w-750CL-0L-MAG	G00001-a5-T1-B3-Rm4-P0-L0	75°-1T-111w-750CL-0L-MAG	G00001-a6-T1-B3-Rm4-P0-L0	90°-1T-111w-750CL-0L-MAG
G00001-a4-T1-B3-Rm4-P0-L1	60°-1T-111w-750CL-50L-MAG	G00001-a5-T1-B3-Rm4-P0-L1	75°-1T-111w-750CL-50L-MAG	G00001-a6-T1-B3-Rm4-P0-L1	90°-1T-111w-50CL-50L-MAG
G00001-a4-T1-B3-Rm4-P0-L2	60°-1T-111w-750CL-100L-MAG	G00001-a5-T1-B3-Rm4-P0-L2	75°-1T-111w-750CL-100L-MAG	G00001-a6-T1-B3-Rm4-P0-L2	90°-1T-111w-750CL-100L-MAG
G00001-a4-T1-B3-Rm4-P0-L3	60°-1T-111w-750CL-125L-MAG	G00001-a5-T1-B3-Rm4-P0-L3	75°-1T-111w-750CL-125L-MAG	G00001-a6-T1-B3-Rm4-P0-L3	90°-1T-111w-750CL-125L-MAG

NON STANDARD SIZES ARE AVAILABLE ON REQUEST.
 STANDARD ORDER QTY: PER SET



CHAINS/BELTS
 PG. A8 & PG. B11



MATERIALS



TABLE OF
 CONTENTS

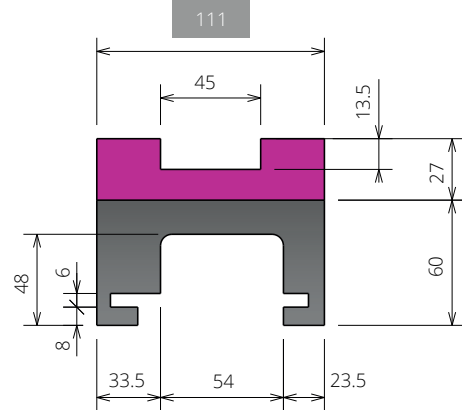
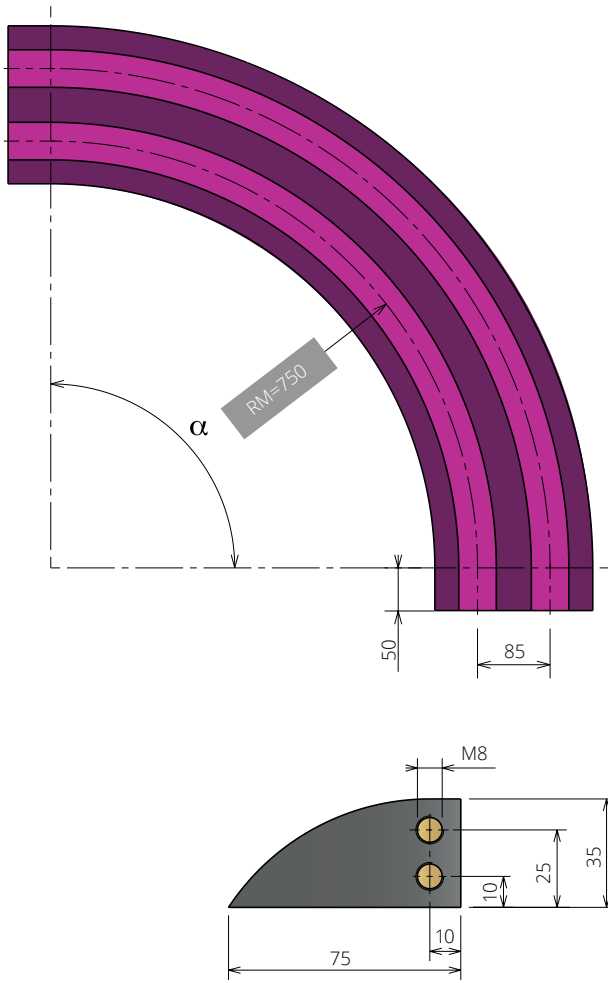


BACK TO CORNER TRACKS/
 CURVES/BENDS INDEX (G)

G00001

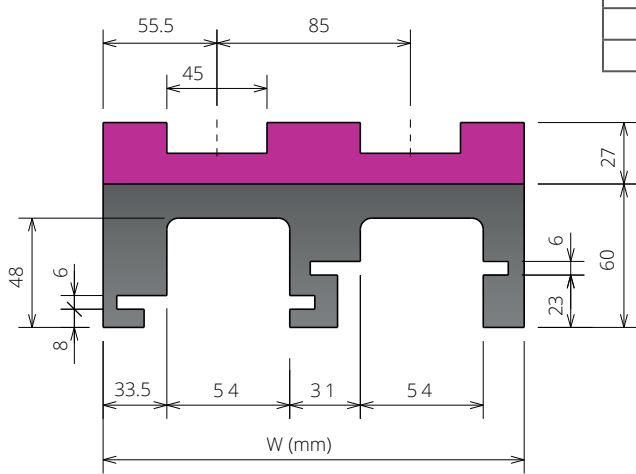
879M-K325 - 880M-K325 - 880M-K330 881M-K325
- 881M-K330 SERIES

MAGNETIC CURVES/BENDS -
750mm CENTERLINE - 111mm WIDE - 85mm
PITCH - 50mm LEAD IN AND LEAD OUT



SINGLE TRACK - G00001-α6-T1-B3- Rm4- P0- L1

TRACKS	W
1	111
2	196
3	281
4	366
5	451
6	536
7	621
8	706



MULTI TRACK - G00001-α6- T2-B3- Rm4-P1-L1

Rm = 750mm - MULTI TRACK - 50mm LEAD IN / LEAD OUT

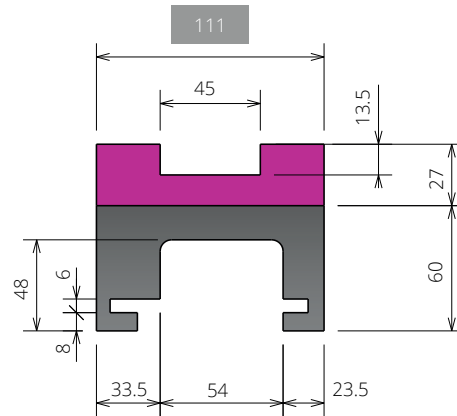
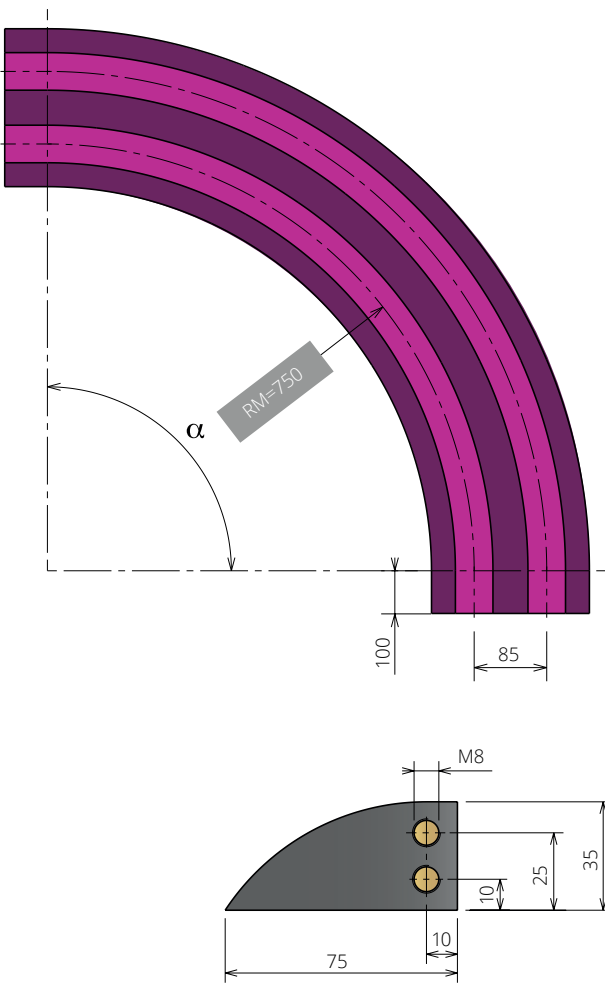
α 15°		α 30°		α 45°	
CODE	DESCRIPTION	CODE	DESCRIPTION	CODE	DESCRIPTION
G00001-a1-T1-B3-Rm4-P0-L1	15°-1T-111w-750CL-50L-MAG	G00001-a2-T1-B3-Rm4-P0-L1	30°-1T-111w-750CL-50L-MAG	G00001-a3-T1-B3-Rm4-P0-L1	45°-1T-111w-750CL-50L-MAG
G00001-a1-T2-B3-Rm4-P1-L1	15°-2T-111w-750CL-P85-50L-MAG	G00001-a2-T2-B3-Rm4-P1-L1	30°-2T-111w-750CL-P85-50L-MAG	G00001-a3-T2-B3-Rm4-P1-L1	45°-2T-111w-750CL-P85-50L-MAG
G00001-a1-T3-B3-Rm4-P1-L1	15°-3T-111w-750CL-P85-50L-MAG	G00001-a2-T3-B3-Rm4-P1-L1	30°-3T-111w-750CL-P85-50L-MAG	G00001-a3-T3-B3-Rm4-P1-L1	45°-3T-111w-750CL-P85-50L-MAG
G00001-a1-T4-B3-Rm4-P1-L1	15°-4T-111w-750CL-P85-50L-MAG	G00001-a2-T4-B3-Rm4-P1-L1	30°-4T-111w-750CL-P85-50L-MAG	G00001-a3-T4-B3-Rm4-P1-L1	45°-4T-111w-750CL-P85-50L-MAG
G00001-a1-T5-B3-Rm4-P1-L1	15°-5T-111w-750CL-P85-50L-MAG	G00001-a2-T5-B3-Rm4-P1-L1	30°-5T-111w-750CL-P85-50L-MAG	G00001-a3-T5-B3-Rm4-P1-L1	45°-5T-111w-750CL-P85-50L-MAG
G00001-a1-T6-B3-Rm4-P1-L1	15°-6T-111w-750CL-P85-50L-MAG	G00001-a2-T6-B3-Rm4-P1-L1	30°-6T-111w-750CL-P85-50L-MAG	G00001-a3-T6-B3-Rm4-P1-L1	45°-6T-111w-750CL-P85-50L-MAG
G00001-a1-T7-B3-Rm4-P1-L1	15°-7T-111w-750CL-P85-50L-MAG	G00001-a2-T7-B3-Rm4-P1-L1	30°-7T-111w-750CL-P85-50L-MAG	G00001-a3-T7-B3-Rm4-P1-L1	45°-7T-111w-750CL-P85-50L-MAG
G00001-a1-T8-B3-Rm4-P1-L1	15°-8T-111w-750CL-P85-50L-MAG	G00001-a2-T8-B3-Rm4-P1-L1	30°-8T-111w-750CL-P85-50L-MAG	G00001-a3-T8-B3-Rm4-P1-L1	45°-8T-111w-750CL-P85-50L-MAG
α 60°		α 75°		α 90°	
CODE	DESCRIPTION	CODE	DESCRIPTION	CODE	DESCRIPTION
G00001-a4-T1-B3-Rm4-P0-L1	60°-1T-111w-750CL- 50L-MAG	G00001-a5-T1-B3-Rm4-P0-L1	75°-1T-111w-750CL-50L-MAG	G00001-a6-T1-B3-Rm4-P0-L1	90°-1T-111w-750CL-50L-MAG
G00001-a4-T2-B3-Rm4-P1-L1	60°-2T-111w-750CL-P85-50L-MAG	G00001-a5-T2-B3-Rm4-P1-L1	75°-2T-111w-750CL-P85-50L-MAG	G00001-a6-T2-B3-Rm4-P1-L1	90°-2T-111w-750CL-P85-50L-MAG
G00001-a4-T3-B3-Rm4-P1-L1	60°-3T-111w-750CL-P85-50L-MAG	G00001-a5-T3-B3-Rm4-P1-L1	75°-3T-111w- 750CL-P85-50L-MAG	G00001-a6-T3-B3-Rm4-P1-L1	90°-3T-111w-750CL-P85-50L-MAG
G00001-a4-T4-B3-Rm4-P1-L1	60°-4T-111w-750CL-P85-50L-MAG	G00001-a5-T4-B3-Rm4-P1-L1	75°-4T-111w-750CL-P85-50L-MAG	G00001-a6-T4-B3-Rm4-P1-L1	90°-4T-111w-750CL-P85-50L-MAG
G00001-a4-T5-B3-Rm4-P1-L1	60°-5T-111w-750CL-P85-50L-MAG	G00001-a5-T5-B3-Rm4-P1-L1	75°-5T-111w-750CL-P85-50L-MAG	G00001-a6-T5-B3-Rm4-P1-L1	90°-5T-111w-750CL-P85-50L-MAG
G00001-a4-T6-B3-Rm4-P1-L1	60°-6T-111w-750CL-P85-50L-MAG	G00001-a5-T6-B3-Rm4-P1-L1	75°-6T-111w-750CL-P85-50L-MAG	G00001-a6-T6-B3-Rm4-P1-L1	90°-6T-111w-750CL-P85-50L-MAG
G00001-a4-T7-B3-Rm4-P1-L1	60°-7T-111w-750CL-P85-50L-MAG	G00001-a5-T7-B3-Rm4-P1-L1	75°-7T-111w-750CL-P85-50L-MAG	G00001-a6-T7-B3-Rm4-P1-L1	90°-7T-111w-750CL-P85-50L-MAG
G00001-a4-T8-B3-Rm4-P1-L1	60°-8T-111w-750CL-P85-50L-MAG	G00001-a5-T8-B3-Rm4-P1-L1	75°-8T-111w-750CL-P85-50L-MAG	G00001-a6-T8-B3-Rm4-P1-L1	90°-8T-111w-750CL-P85-50L-MAG

NON STANDARD SIZES ARE AVAILABLE ON REQUEST.
STANDARD ORDER QTY: PER SET

G00001

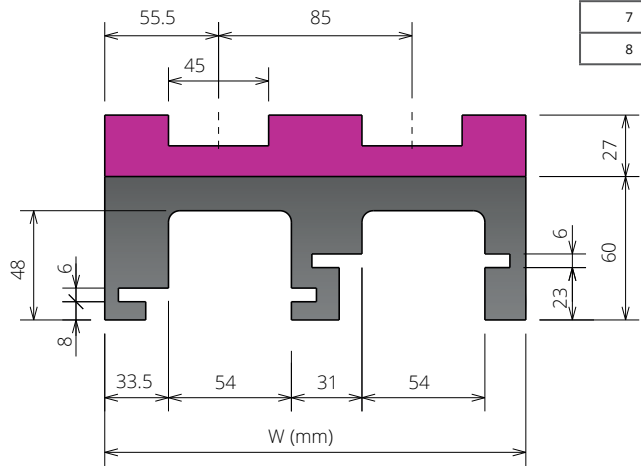
879M-K325 - 880M-K325 - 880M-K330 881M-K325
- 881M-K330 SERIES

MAGNETIC CURVES/BENDS -
750mm CENTERLINE - 111mm WIDE - 85mm
PITCH - 100mm LEAD IN AND LEAD OUT



SINGLE TRACK - G00001-a6-T1-B3- Rm4- P0- L2

TRACKS	W
1	111
2	196
3	281
4	366
5	451
6	536
7	621
8	706



MULTI TRACK - G00001-a6- T2-B3- Rm4-P1-L2

Rm = 750mm - MULTI TRACK - 100mm LEAD IN / LEAD OUT

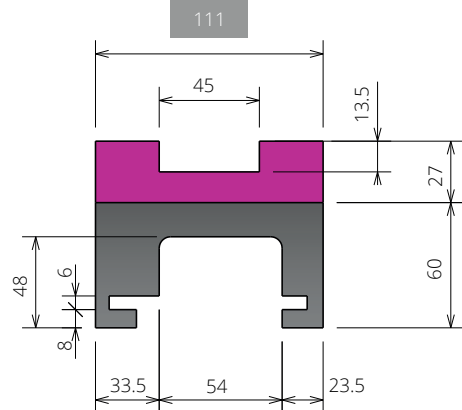
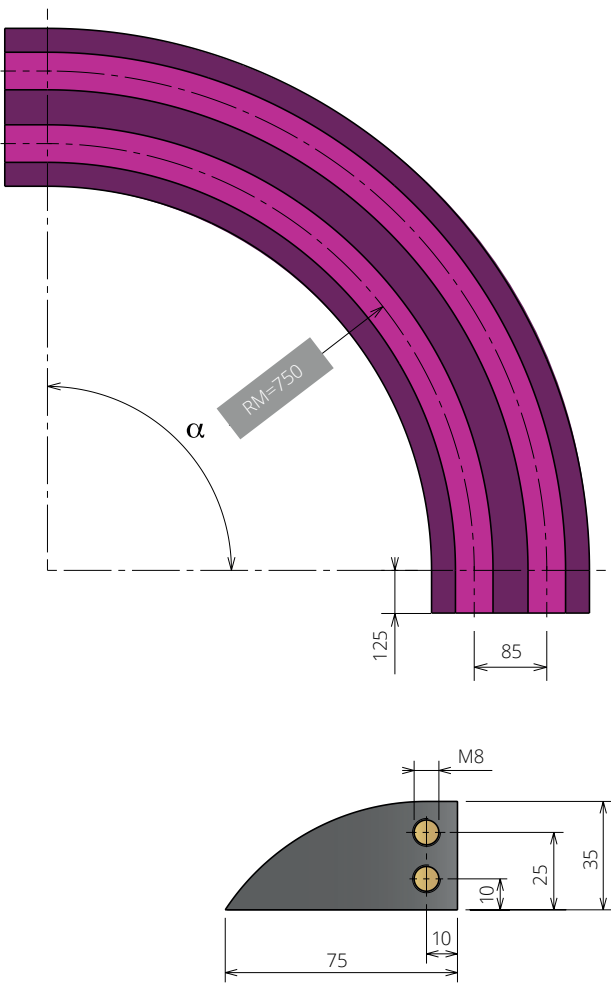
α 15°		α 30°		α 45°	
CODE	DESCRIPTION	CODE	DESCRIPTION	CODE	DESCRIPTION
G00001-a1-T1-B3-Rm4-P0-L2	15°-1T-111w-750CL-100L-MAG	G00001-a2-T1-B3-Rm4-P0-L2	30°-1T-111w-750CL-100L-MAG	G00001-a3-T1-B3-Rm4-P0-L2	45°-1T-111w-750CL-100L-MAG
G00001-a1-T2-B3-Rm4-P1-L2	15°-2T-111w-750CL-P85-100L-MAG	G00001-a2-T2-B3-Rm4-P1-L2	30°-2T-111w-750CL-P85-100L-MAG	G00001-a3-T2-B3-Rm4-P1-L2	45°-2T-111w-750CL-P85-100L-MAG
G00001-a1-T3-B3-Rm4-P1-L2	15°-3T-111w-750CL-P85-100L-MAG	G00001-a2-T3-B3-Rm4-P1-L2	30°-3T-111w-750CL-P85-100L-MAG	G00001-a3-T3-B3-Rm4-P1-L2	45°-3T-111w-750CL-P85-100L-MAG
G00001-a1-T4-B3-Rm4-P1-L2	15°-4T-111w-750CL-P85-100L-MAG	G00001-a2-T4-B3-Rm4-P1-L2	30°-4T-111w-750CL-P85-100L-MAG	G00001-a3-T4-B3-Rm4-P1-L2	45°-4T-111w-750CL-P85-100L-MAG
G00001-a1-T5-B3-Rm4-P1-L2	15°-5T-111w-750CL-P85-100L-MAG	G00001-a2-T5-B3-Rm4-P1-L2	30°-5T-111w-750CL-P85-100L-MAG	G00001-a3-T5-B3-Rm4-P1-L2	45°-5T-111w-750CL-P85-100L-MAG
G00001-a1-T6-B3-Rm4-P1-L2	15°-6T-111w-750CL-P85-100L-MAG	G00001-a2-T6-B3-Rm4-P1-L2	30°-6T-111w-750CL-P85-100L-MAG	G00001-a3-T6-B3-Rm4-P1-L2	45°-6T-111w-750CL-P85-100L-MAG
G00001-a1-T7-B3-Rm4-P1-L2	15°-7T-111w-750CL-P85-100L-MAG	G00001-a2-T7-B3-Rm4-P1-L2	30°-7T-111w-750CL-P85-100L-MAG	G00001-a3-T7-B3-Rm4-P1-L2	45°-7T-111w-750CL-P85-100L-MAG
G00001-a1-T8-B3-Rm4-P1-L2	15°-8T-111w-750CL-P85-100L-MAG	G00001-a2-T8-B3-Rm4-P1-L2	30°-8T-111w-750CL-P85-100L-MAG	G00001-a3-T8-B3-Rm4-P1-L2	45°-8T-111w-750CL-P85-100L-MAG
α 60°		α 75°		α 90°	
CODE	DESCRIPTION	CODE	DESCRIPTION	CODE	DESCRIPTION
G00001-a4-T1-B3-Rm4-P0-L2	60°-1T-111w-750CL-100L-MAG	G00001-a5-T1-B3-Rm4-P0-L2	75°-1T-111w-750CL-100L-MAG	G00001-a6-T1-B3-Rm4-P0-L2	90°-1T-111w-750CL-100L-MAG
G00001-a4-T2-B3-Rm4-P1-L2	60°-2T-111w-750CL-P85-100L-MAG	G00001-a5-T2-B3-Rm4-P1-L2	75°-2T-111w-750CL-P85-100L-MAG	G00001-a6-T2-B3-Rm4-P1-L2	90°-2T-111w-750CL-P85-100L-MAG
G00001-a4-T3-B3-Rm4-P1-L2	60°-3T-111w-750CL-P85-100L-MAG	G00001-a5-T3-B3-Rm4-P1-L2	75°-3T-111w-750CL-P85-100L-MAG	G00001-a6-T3-B3-Rm4-P1-L2	90°-3T-111w-750CL-P85-100L-MAG
G00001-a4-T4-B3-Rm4-P1-L2	60°-4T-111w-750CL-P85-100L-MAG	G00001-a5-T4-B3-Rm4-P1-L2	75°-4T-111w-750CL-P85-100L-MAG	G00001-a6-T4-B3-Rm4-P1-L2	90°-4T-111w-750CL-P85-100L-MAG
G00001-a4-T5-B3-Rm4-P1-L2	60°-5T-111w-750CL-P85-100L-MAG	G00001-a5-T5-B3-Rm4-P1-L2	75°-5T-111w-750CL-P85-100L-MAG	G00001-a6-T5-B3-Rm4-P1-L2	90°-5T-111w-750CL-P85-100L-MAG
G00001-a4-T6-B3-Rm4-P1-L2	60°-6T-111w-750CL-P85-100L-MAG	G00001-a5-T6-B3-Rm4-P1-L2	75°-6T-111w-750CL-P85-100L-MAG	G00001-a6-T6-B3-Rm4-P1-L2	90°-6T-111w-750CL-P85-100L-MAG
G00001-a4-T7-B3-Rm4-P1-L2	60°-7T-111w-750CL-P85-100L-MAG	G00001-a5-T7-B3-Rm4-P1-L2	75°-7T-111w-750CL-P85-100L-MAG	G00001-a6-T7-B3-Rm4-P1-L2	90°-7T-111w-750CL-P85-100L-MAG
G00001-a4-T8-B3-Rm4-P1-L2	60°-8T-111w-750CL-P85-100L-MAG	G00001-a5-T8-B3-Rm4-P1-L2	75°-8T-111w-750CL-P85-100L-MAG	G00001-a6-T8-B3-Rm4-P1-L2	90°-8T-111w-750CL-P85-100L-MAG

NON STANDARD SIZES ARE AVAILABLE ON REQUEST.
STANDARD ORDER QTY: PER SET

G00001

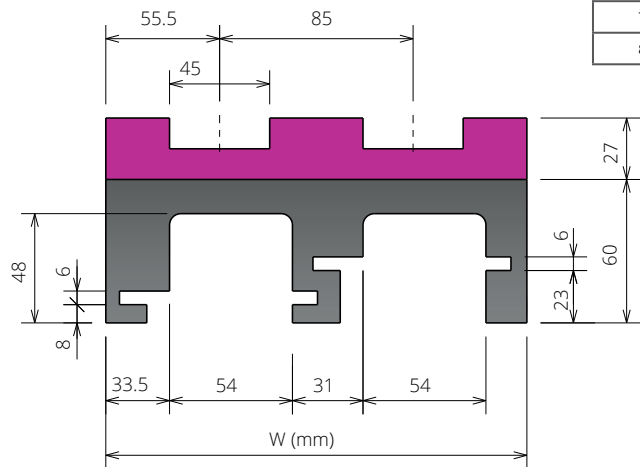
879M-K325 - 880M-K325 - 880M-K330 881M-K325
- 881M-K330 SERIES

MAGNETIC CURVES/BENDS -
750mm CENTERLINE - 111mm WIDE - 85mm
PITCH - 125mm LEAD IN AND LEAD OUT



SINGLE TRACK - G00001-a6-T1-B3- Rm4- P0- L3

TRACKS	W
1	111
2	196
3	281
4	366
5	451
6	536
7	621
8	706



MULTI TRACK - G00001-a6- T2-B3- Rm4-P1-L3

Rm =750mm - MULTI TRACK - 125mm LEAD IN / LEAD OUT

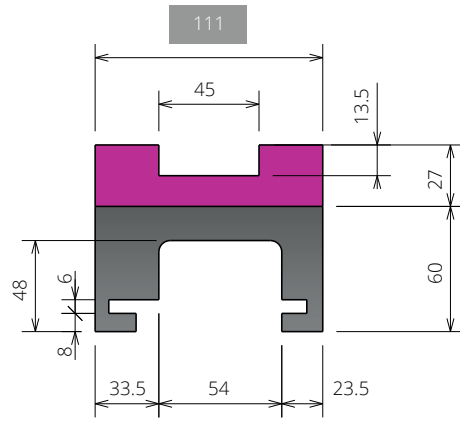
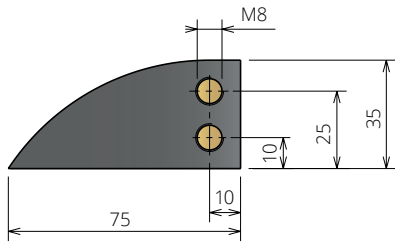
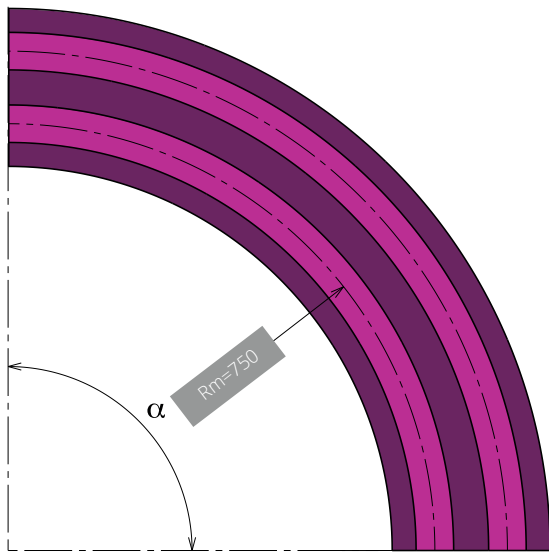
α 15°		α 30°		α 45°	
CODE	DESCRIPTION	CODE	DESCRIPTION	CODE	DESCRIPTION
G00001-a1-T1-B3-Rm4-P0-L3	15°-1T-111w-750CL-125L-MAG	G00001-a2-T1-B3-Rm4-P0-L3	30°-1T-111w-750CL-125L-MAG	G00001-a3-T1-B3-Rm4-P0-L3	45°-1T-111w-750CL-125L-MAG
G00001-a1-T2-B3-Rm4-P1-L3	15°-2T-111w-750CL-P85-125L-MAG	G00001-a2-T2-B3-Rm4-P1-L3	30°-2T-111w-750CL-P85-125L-MAG	G00001-a3-T2-B3-Rm4-P1-L3	45°-2T-111w-750CL-P85-125L-MAG
G00001-a1-T3-B3-Rm4-P1-L3	15°-3T-111w-750CL-P85-125L-MAG	G00001-a2-T3-B3-Rm4-P1-L3	30°-3T-111w-750CL-P85-125L-MAG	G00001-a3-T3-B3-Rm4-P1-L3	45°-3T-111w-750CL-P85-125L-MAG
G00001-a1-T4-B3-Rm4-P1-L3	15°-4T-111w-750CL-P85-125L-MAG	G00001-a2-T4-B3-Rm4-P1-L3	30°-4T-111w-750CL-P85-125L-MAG	G00001-a3-T4-B3-Rm4-P1-L3	45°-4T-111w-750CL-P85-125L-MAG
G00001-a1-T5-B3-Rm4-P1-L3	15°-5T-111w-750CL-P85-125L-MAG	G00001-a2-T5-B3-Rm4-P1-L3	30°-5T-111w-750CL-P85-125L-MAG	G00001-a3-T5-B3-Rm4-P1-L3	45°-5T-111w-750CL-P85-125L-MAG
G00001-a1-T6-B3-Rm4-P1-L3	15°-6T-111w-750CL-P85-125L-MAG	G00001-a2-T6-B3-Rm4-P1-L3	30°-6T-111w-750CL-P85-125L-MAG	G00001-a3-T6-B3-Rm4-P1-L3	45°-6T-111w-750CL-P85-125L-MAG
G00001-a1-T7-B3-Rm4-P1-L3	15°-7T-111w-750CL-P85-125L-MAG	G00001-a2-T7-B3-Rm4-P1-L3	30°-7T-111w-750CL-P85-125L-MAG	G00001-a3-T7-B3-Rm4-P1-L3	45°-7T-111w-750CL-P85-125L-MAG
G00001-a1-T8-B3-Rm4-P1-L3	15°-8T-111w-750CL-P85-125L-MAG	G00001-a2-T8-B3-Rm4-P1-L3	30°-8T-111w-750CL-P85-125L-MAG	G00001-a3-T8-B3-Rm4-P1-L3	45°-8T-111w-750CL-P85-125L-MAG
α 60°		α 75°		α 90°	
CODE	DESCRIPTION	CODE	DESCRIPTION	CODE	DESCRIPTION
G00001-a4-T1-B3-Rm4-P0-L3	60°-1T-111w-750CL-125L-MAG	G00001-a5-T1-B3-Rm4-P0-L3	75°-1T-111w-750CL-125L-MAG	G00001-a6-T1-B3-Rm4-P0-L3	90°-1T-111w-750CL-125L-MAG
G00001-a4-T2-B3-Rm4-P1-L3	60°-2T-111w-750CL-P85-125L-MAG	G00001-a5-T2-B3-Rm4-P1-L3	75°-2T-111w-750CL-P85-125L-MAG	G00001-a6-T2-B3-Rm4-P1-L3	90°-2T-111w-750CL-P85-125L-MAG
G00001-a4-T3-B3-Rm4-P1-L3	60°-3T-111w-750CL-P85-125L-MAG	G00001-a5-T3-B3-Rm4-P1-L3	75°-3T-111w-750CL-P85-125L-MAG	G00001-a6-T3-B3-Rm4-P1-L3	90°-3T-111w-750CL-P85-125L-MAG
G00001-a4-T4-B3-Rm4-P1-L3	60°-4T-111w-750CL-P85-125L-MAG	G00001-a5-T4-B3-Rm4-P1-L3	75°-4T-111w-750CL-P85-125L-MAG	G00001-a6-T4-B3-Rm4-P1-L3	90°-4T-111w-750CL-P85-125L-MAG
G00001-a4-T5-B3-Rm4-P1-L3	60°-5T-111w-750CL-P85-125L-MAG	G00001-a5-T5-B3-Rm4-P1-L3	75°-5T-111w-750CL-P85-125L-MAG	G00001-a6-T5-B3-Rm4-P1-L3	90°-5T-111w-750CL-P85-125L-MAG
G00001-a4-T6-B3-Rm4-P1-L3	60°-6T-111w-750CL-P85-125L-MAG	G00001-a5-T6-B3-Rm4-P1-L3	75°-6T-111w-750CL-P85-125L-MAG	G00001-a6-T6-B3-Rm4-P1-L3	90°-6T-111w-750CL-P85-125L-MAG
G00001-a4-T7-B3-Rm4-P1-L3	60°-7T-111w-750CL-P85-125L-MAG	G00001-a5-T7-B3-Rm4-P1-L3	75°-7T-111w-750CL-P85-125L-MAG	G00001-a6-T7-B3-Rm4-P1-L3	90°-7T-111w-750CL-P85-125L-MAG
G00001-a4-T8-B3-Rm4-P1-L3	60°-8T-111w-750CL-P85-125L-MAG	G00001-a5-T8-B3-Rm4-P1-L3	75°-8T-111w-750CL-P85-125L-MAG	G00001-a6-T8-B3-Rm4-P1-L3	90°-8T-111w-750CL-P85-125L-MAG

NON STANDARD SIZES ARE AVAILABLE ON REQUEST.
STANDARD ORDER QTY: PER SET

G00001

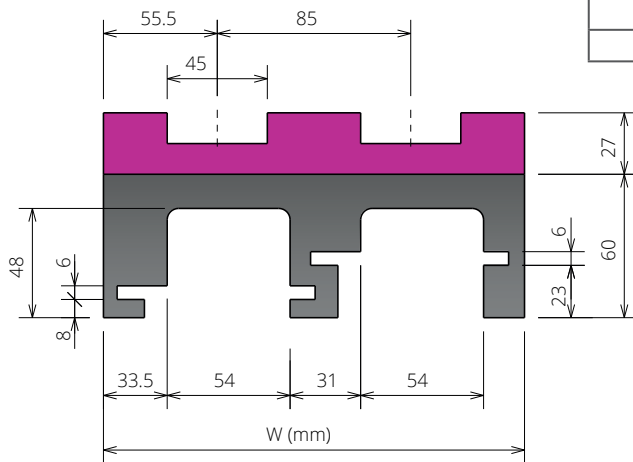
879M-K325 - 880M-K325 - 880M-K330 881M-K325
- 881M-K330 SERIES

MAGNETIC CURVES/BENDS -
750mm CENTERLINE - 111mm WIDE - 85mm
PITCH - NO LEAD IN AND LEAD OUT



SINGLE TRACK - G00001-α6-T1-B3- Rm4- P0-L0

TRACKS	W
1	111
2	196
3	281
4	366
5	451
6	536
7	621
8	706



MULTI TRACK - G00001-α6-T2-B3- Rm4-P1-L0

Rm = 750mm - MULTI TRACK - NO LEAD IN / LEAD OUT

α 15°		α 30°		α 45°	
CODE	DESCRIPTION	CODE	DESCRIPTION	CODE	DESCRIPTION
G00001-a1-T1-B3-Rm4-P0-L0	15°-1T-111w-750CL-0L-MAG	G00001-a2-T1-B3-Rm4-P0-L0	30°-1T-111w-750CL-0L-MAG	G00001-a3-T1-B3-Rm4-P0-L0	45°-1T-111w-750CL-0L-MAG
G00001-a1-T2-B3-Rm4-P1-L0	15°-2T-111w-750CL-P85-0L-MAG	G00001-a2-T2-B3-Rm4-P1-L0	30°-2T-111w-750CL-P85-0L-MAG	G00001-a3-T2-B3-Rm4-P1-L0	45°-2T-111w-750CL-P85-0L-MAG
G00001-a1-T3-B3-Rm4-P1-L0	15°-3T-111w-750CL-P85-0L-MAG	G00001-a2-T3-B3-Rm4-P1-L0	30°-3T-111w-750CL-P85-0L-MAG	G00001-a3-T3-B3-Rm4-P1-L0	45°-3T-111w-750CL-P85-0L-MAG
G00001-a1-T4-B3-Rm4-P1-L0	15°-4T-111w-750CL-P85-0L-MAG	G00001-a2-T4-B3-Rm4-P1-L0	30°-4T-111w-750CL-P85-0L-MAG	G00001-a3-T4-B3-Rm4-P1-L0	45°-4T-111w-750CL-P85-0L-MAG
G00001-a1-T5-B3-Rm4-P1-L0	15°-5T-111w-750CL-P85-0L-MAG	G00001-a2-T5-B3-Rm4-P1-L0	30°-5T-111w-750CL-P85-0L-MAG	G00001-a3-T5-B3-Rm4-P1-L0	45°-5T-111w-750CL-P85-0L-MAG
G00001-a1-T6-B3-Rm4-P1-L0	15°-6T-111w-750CL-P85-0L-MAG	G00001-a2-T6-B3-Rm4-P1-L0	30°-6T-111w-750CL-P85-0L-MAG	G00001-a3-T6-B3-Rm4-P1-L0	45°-6T-111w-750CL-P85-0L-MAG
G00001-a1-T7-B3-Rm4-P1-L0	15°-7T-111w-750CL-P85-0L-MAG	G00001-a2-T7-B3-Rm4-P1-L0	30°-7T-111w-750CL-P85-0L-MAG	G00001-a3-T7-B3-Rm4-P1-L0	45°-7T-111w-750CL-P85-0L-MAG
G00001-a1-T8-B3-Rm4-P1-L0	15°-8T-111w-750CL-P85-0L-MAG	G00001-a2-T8-B3-Rm4-P1-L0	30°-8T-111w-750CL-P85-0L-MAG	G00001-a3-T8-B3-Rm4-P1-L0	45°-8T-111w-750CL-P85-0L-MAG
α 60°		α 75°		α 90°	
CODE	DESCRIPTION	CODE	DESCRIPTION	CODE	DESCRIPTION
G00001-a4-T1-B3-Rm4-P0-L0	60°-1T-111w-750CL-0L-MAG	G00001-a5-T1-B3-Rm4-P0-L0	75°-1T-111w-750CL-0L-MAG	G00001-a6-T1-B3-Rm4-P0-L0	90°-1T-111w-750CL-0L-MAG
G00001-a4-T2-B3-Rm4-P1-L0	60°-2T-111w-750CL-P85-0L-MAG	G00001-a5-T2-B3-Rm4-P1-L0	75°-2T-111w-750CL-P85-0L-MAG	G00001-a6-T2-B3-Rm4-P1-L0	90°-2T-111w-750CL-P85-0L-MAG
G00001-a4-T3-B3-Rm4-P1-L0	60°-3T-111w-750CL-P85-0L-MAG	G00001-a5-T3-B3-Rm4-P1-L0	75°-3T-111w-750CL-P85-0L-MAG	G00001-a6-T3-B3-Rm4-P1-L0	90°-3T-111w-750CL-P85-0L-MAG
G00001-a4-T4-B3-Rm4-P1-L0	60°-4T-111w-750CL-P85-0L-MAG	G00001-a5-T4-B3-Rm4-P1-L0	75°-4T-111w-750CL-P85-0L-MAG	G00001-a6-T4-B3-Rm4-P1-L0	90°-4T-111w-750CL-P85-0L-MAG
G00001-a4-T5-B3-Rm4-P1-L0	60°-5T-111w-750CL-P85-0L-MAG	G00001-a5-T5-B3-Rm4-P1-L0	75°-5T-111w-750CL-P85-0L-MAG	G00001-a6-T5-B3-Rm4-P1-L0	90°-5T-111w-750CL-P85-0L-MAG
G00001-a4-T6-B3-Rm4-P1-L0	60°-6T-111w-750CL-P85-0L-MAG	G00001-a5-T6-B3-Rm4-P1-L0	75°-6T-111w-750CL-P85-0L-MAG	G00001-a6-T6-B3-Rm4-P1-L0	90°-6T-111w-750CL-P85-0L-MAG
G00001-a4-T7-B3-Rm4-P1-L0	60°-7T-111w-750CL-P85-0L-MAG	G00001-a5-T7-B3-Rm4-P1-L0	75°-7T-111w-750CL-P85-0L-MAG	G00001-a6-T7-B3-Rm4-P1-L0	90°-7T-111w-750CL-P85-0L-MAG
G00001-a4-T8-B3-Rm4-P1-L0	60°-8T-111w-750CL-P85-0L-MAG	G00001-a5-T8-B3-Rm4-P1-L0	75°-8T-111w-750CL-P85-0L-MAG	G00001-a6-T8-B3-Rm4-P1-L0	90°-8T-111w-750CL-P85-0L-MAG

NON STANDARD SIZES ARE AVAILABLE ON REQUEST.
STANDARD ORDER QTY: PER SET



CHAINS/BELTS
PG. A8 & PG. B11



MATERIALS

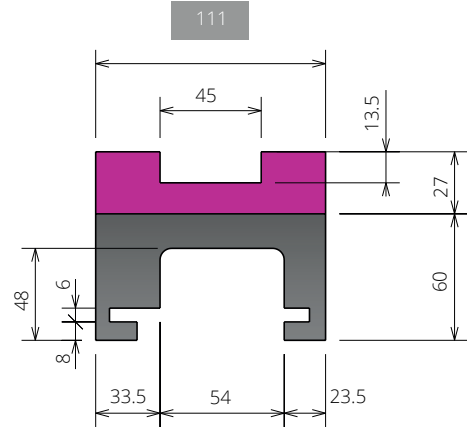
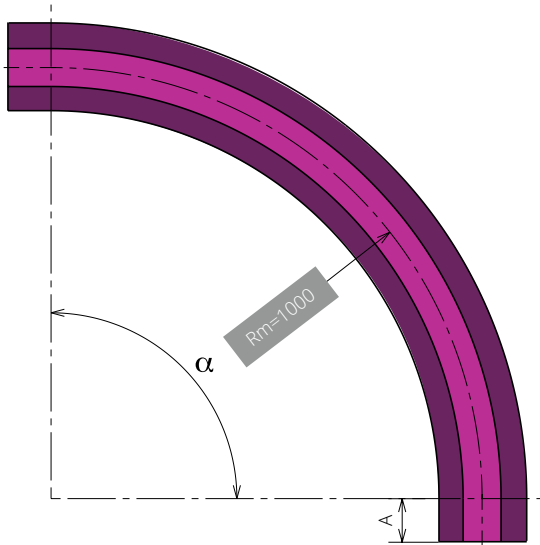


TABLE OF
CONTENTS



BACK TO CORNER TRACKS/
CURVES/BENDS INDEX (G)

WWW.IRP.CO.ZA



LEAD IN & OUT AVAILABLE IN
125mm - 100mm - 50mm AND WITHOUT

Rm = 1000mm - SINGLE TRACK

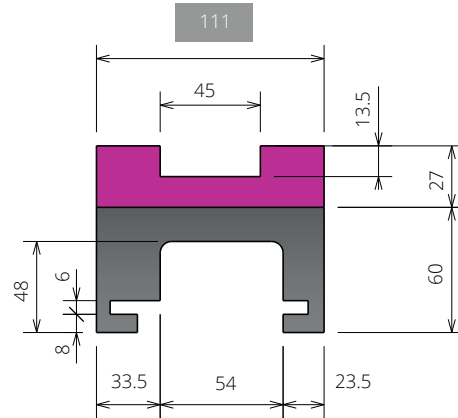
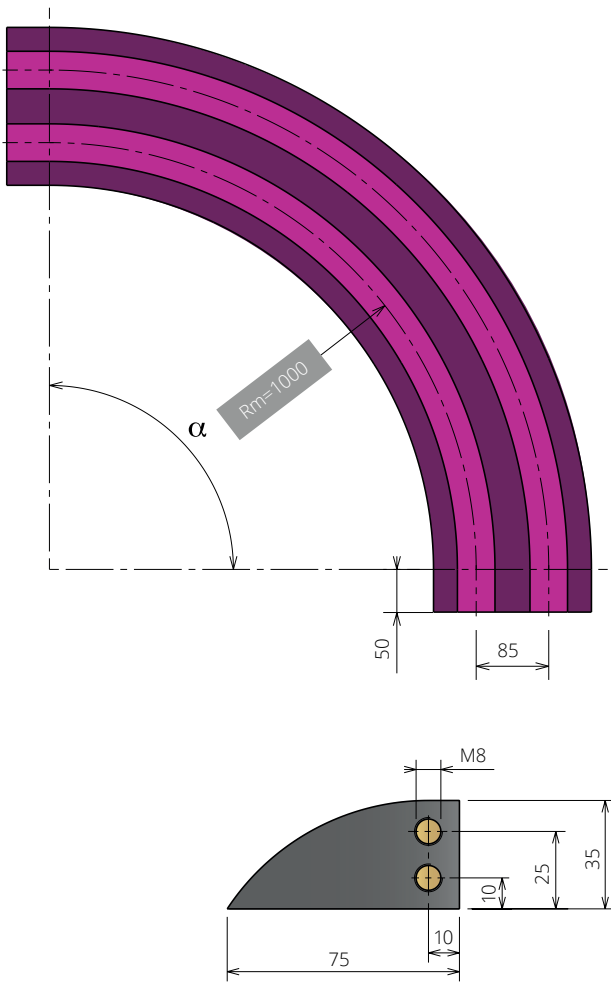
$\alpha 15^\circ$		$\alpha 30^\circ$		$\alpha 45^\circ$	
CODE	DESCRIPTION	CODE	DESCRIPTION	CODE	DESCRIPTION
G00001-a1-T1-B3-Rm6-P0-L0	15°-1T-111w-1000CL-0L-MAG	G00001-a2-T1-B3-Rm6-P0-L0	30°-1T-111w-1000CL-0L-MAG	G00001-a3-T1-B3-Rm6-P0-L0	45°-1T-111w-1000CL-0L-MAG
G00001-a1-T1-B3-Rm6-P0-L1	15°-1T-111w-1000CL-50L-MAG	G00001-a2-T1-B3-Rm6-P0-L1	30°-1T-111w-1000CL-50L-MAG	G00001-a3-T1-B3-Rm6-P0-L1	45°-1T-111w-1000CL-50L-MAG
G00001-a1-T1-B3-Rm6-P0-L2	15°-1T-111w-1000CL-100L-MAG	G00001-a2-T1-B3-Rm6-P0-L2	30°-1T-111w-1000CL-100L-MAG	G00001-a3-T1-B3-Rm6-P0-L2	45°-1T-111w-1000CL-100L-MAG
G00001-a1-T1-B3-Rm6-P0-L3	15°-1T-111w-1000CL-125L-MAG	G00001-a2-T1-B3-Rm6-P0-L3	30°-1T-111w-1000CL-125L-MAG	G00001-a3-T1-B3-Rm6-P0-L3	45°-1T-111w-1000CL-125L-MAG
$\alpha 60^\circ$		$\alpha 75^\circ$		$\alpha 90^\circ$	
CODE	DESCRIPTION	CODE	DESCRIPTION	CODE	DESCRIPTION
G00001-a4-T1-B3-Rm6-P0-L0	60°-1T-111w-1000CL-0L-MAG	G00001-a5-T1-B3-Rm6-P0-L0	75°-1T-111w-1000CL-0L-MAG	G00001-a6-T1-B3-Rm6-P0-L0	90°-1T-111w-1000CL-0L-MAG
G00001-a4-T1-B3-Rm6-P0-L1	60°-1T-111w-1000CL-50L-MAG	G00001-a5-T1-B3-Rm6-P0-L1	75°-1T-111w-1000CL-50L-MAG	G00001-a6-T1-B3-Rm6-P0-L1	90°-1T-111w-1000CL-50L-MAG
G00001-a4-T1-B3-Rm6-P0-L2	60°-1T-111w-1000CL-100L-MAG	G00001-a5-T1-B3-Rm6-P0-L2	75°-1T-111w-1000CL-100L-MAG	G00001-a6-T1-B3-Rm6-P0-L2	90°-1T-111w-1000CL-100L-MAG
G00001-a4-T1-B3-Rm6-P0-L3	60°-1T-111w-1000CL-125L-MAG	G00001-a5-T1-B3-Rm6-P0-L3	75°-1T-111w-1000CL-125L-MAG	G00001-a6-T1-B3-Rm6-P0-L3	90°-1T-111w-1000CL-125L-MAG

NON STANDARD SIZES ARE AVAILABLE ON REQUEST.
STANDARD ORDER QTY: PER SET

G00001

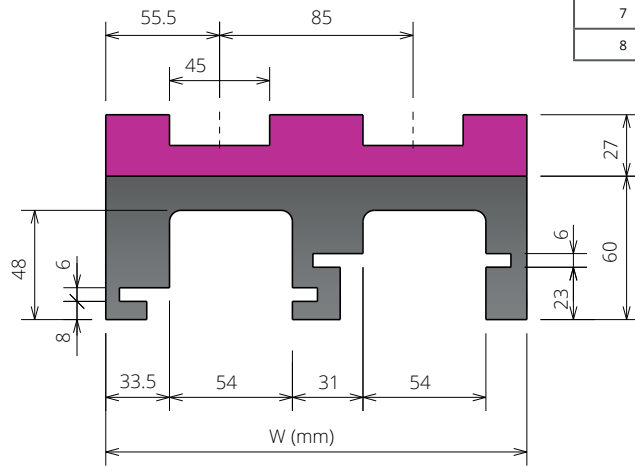
879M-K325 - 880M-K325 - 880M-K330 881M-K325
- 881M-K330 SERIES

MAGNETIC CURVES/BENDS -
1000mm CENTERLINE- 111mm WIDE- 85mm
PITCH- 50mm LEAD IN AND LEAD OUT



SINGLE TRACK - G00001-a6-T1-B3- Rm6- P0- L1

TRACKS	W
1	111
2	196
3	281
4	366
5	451
6	536
7	621
8	706



MULTI TRACK - G00001-a6- T2-B3- Rm6-P1-L1

Rm = 1000mm - MULTI TRACK - 50mm LEAD IN / LEAD OUT

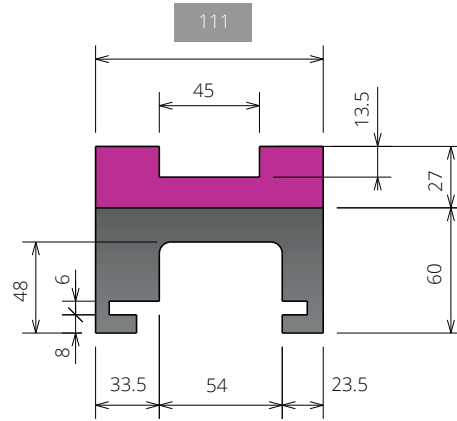
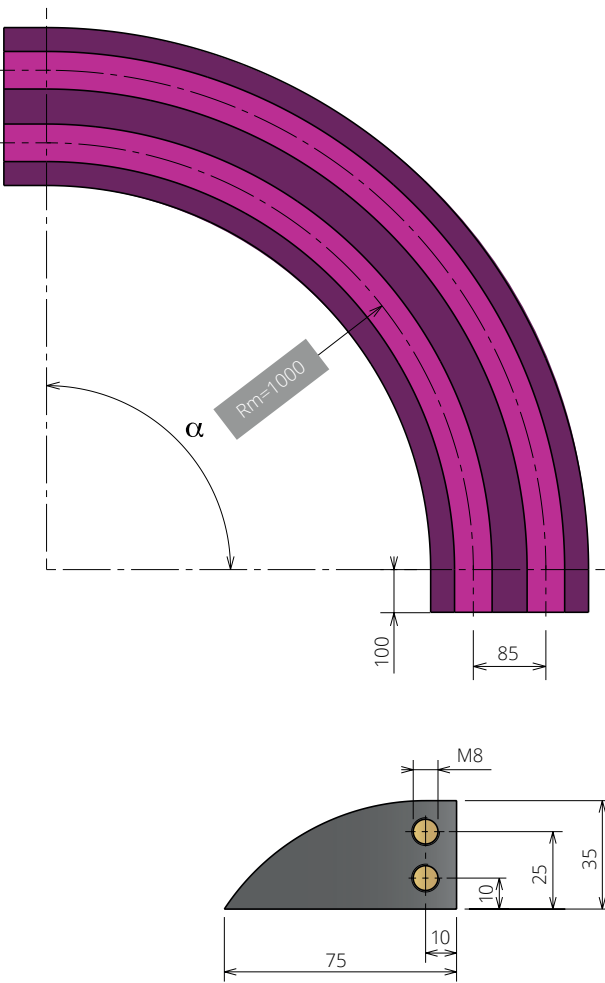
α 15°		α 30°		α 45°	
CODE	DESCRIPTION	CODE	DESCRIPTION	CODE	DESCRIPTION
G00001-a1-T1-B3-Rm6-P0-L1	15°-1T-111w-1000CL-50L-MAG	G00001-a2-T1-B3-Rm6-P0-L1	30°-1T-111w-1000CL-50L-MAG	G00001-a3-T1-B3-Rm6-P0-L1	45°-1T-111w-1000CL-50L-MAG
G00001-a1-T2-B3-Rm6-P1-L1	15°-2T-111w-1000CL-P85-50L-MAG	G00001-a2-T2-B3-Rm6-P1-L1	30°-2T-111w-1000CL-P85-50L-MAG	G00001-a3-T2-B3-Rm6-P1-L1	45°-2T-111w-1000CL-P85-50L-MAG
G00001-a1-T3-B3-Rm6-P1-L1	15°-3T-111w-1000CL-P85-50L-MAG	G00001-a2-T3-B3-Rm6-P1-L1	30°-3T-111w-1000CL-P85-50L-MAG	G00001-a3-T3-B3-Rm6-P1-L1	45°-3T-111w-1000CL-P85-50L-MAG
G00001-a1-T4-B3-Rm6-P1-L1	15°-4T-111w-1000CL-P85-50L-MAG	G00001-a2-T4-B3-Rm6-P1-L1	30°-4T-111w-1000CL-P85-50L-MAG	G00001-a3-T4-B3-Rm6-P1-L1	45°-4T-111w-1000CL-P85-50L-MAG
G00001-a1-T5-B3-Rm6-P1-L1	15°-5T-111w-1000CL-P85-50L-MAG	G00001-a2-T5-B3-Rm6-P1-L1	30°-5T-111w-1000CL-P85-50L-MAG	G00001-a3-T5-B3-Rm6-P1-L1	45°-5T-111w-1000CL-P85-50L-MAG
G00001-a1-T6-B3-Rm6-P1-L1	15°-6T-111w-1000CL-P85-50L-MAG	G00001-a2-T6-B3-Rm6-P1-L1	30°-6T-111w-1000CL-P85-50L-MAG	G00001-a3-T6-B3-Rm6-P1-L1	45°-6T-111w-1000CL-P85-50L-MAG
G00001-a1-T7-B3-Rm6-P1-L1	15°-7T-111w-1000CL-P85-50L-MAG	G00001-a2-T7-B3-Rm6-P1-L1	30°-7T-111w-1000CL-P85-50L-MAG	G00001-a3-T7-B3-Rm6-P1-L1	45°-7T-111w-1000CL-P85-50L-MAG
G00001-a1-T8-B3-Rm6-P1-L1	15°-8T-111w-1000CL-P85-50L-MAG	G00001-a2-T8-B3-Rm6-P1-L1	30°-8T-111w-1000CL-P85-50L-MAG	G00001-a3-T8-B3-Rm6-P1-L1	45°-8T-111w-1000CL-P85-50L-MAG
α 60°		α 75°		α 90°	
CODE	DESCRIPTION	CODE	DESCRIPTION	CODE	DESCRIPTION
G00001-a4-T1-B3-Rm6-P0-L1	60°-1T-111w-1000CL-50L-MAG	G00001-a5-T1-B3-Rm6-P0-L1	75°-1T-111w-1000CL-50L-MAG	G00001-a6-T1-B3-Rm6-P0-L1	90°-1T-111w-1000CL-50L-MAG
G00001-a4-T2-B3-Rm6-P1-L1	60°-2T-111w-1000CL-P85-50L-MAG	G00001-a5-T2-B3-Rm6-P1-L1	75°-2T-111w-1000CL-P85-50L-MAG	G00001-a6-T2-B3-Rm6-P1-L1	90°-2T-111w-1000CL-P85-50L-MAG
G00001-a4-T3-B3-Rm6-P1-L1	60°-3T-111w-1000CL-P85-50L-MAG	G00001-a5-T3-B3-Rm6-P1-L1	75°-3T-111w-1000CL-P85-50L-MAG	G00001-a6-T3-B3-Rm6-P1-L1	90°-3T-111w-1000CL-P85-50L-MAG
G00001-a4-T4-B3-Rm6-P1-L1	60°-4T-111w-1000CL-P85-50L-MAG	G00001-a5-T4-B3-Rm6-P1-L1	75°-4T-111w-1000CL-P85-50L-MAG	G00001-a6-T4-B3-Rm6-P1-L1	90°-4T-111w-1000CL-P85-50L-MAG
G00001-a4-T5-B3-Rm6-P1-L1	60°-5T-111w-1000CL-P85-50L-MAG	G00001-a5-T5-B3-Rm6-P1-L1	75°-5T-111w-1000CL-P85-50L-MAG	G00001-a6-T5-B3-Rm6-P1-L1	90°-5T-111w-1000CL-P85-50L-MAG
G00001-a4-T6-B3-Rm6-P1-L1	60°-6T-111w-1000CL-P85-50L-MAG	G00001-a5-T6-B3-Rm6-P1-L1	75°-6T-111w-1000CL-P85-50L-MAG	G00001-a6-T6-B3-Rm6-P1-L1	90°-6T-111w-1000CL-P85-50L-MAG
G00001-a4-T7-B3-Rm6-P1-L1	60°-7T-111w-1000CL-P85-50L-MAG	G00001-a5-T7-B3-Rm6-P1-L1	75°-7T-111w-1000CL-P85-50L-MAG	G00001-a6-T7-B3-Rm6-P1-L1	90°-7T-111w-1000CL-P85-50L-MAG
G00001-a4-T8-B3-Rm6-P1-L1	60°-8T-111w-1000CL-P85-50L-MAG	G00001-a5-T8-B3-Rm6-P1-L1	75°-8T-111w-1000CL-P85-50L-MAG	G00001-a6-T8-B3-Rm6-P1-L1	90°-8T-111w-1000CL-P85-50L-MAG

NON STANDARD SIZES ARE AVAILABLE ON REQUEST.
STANDARD ORDER QTY: PER SET

G00001

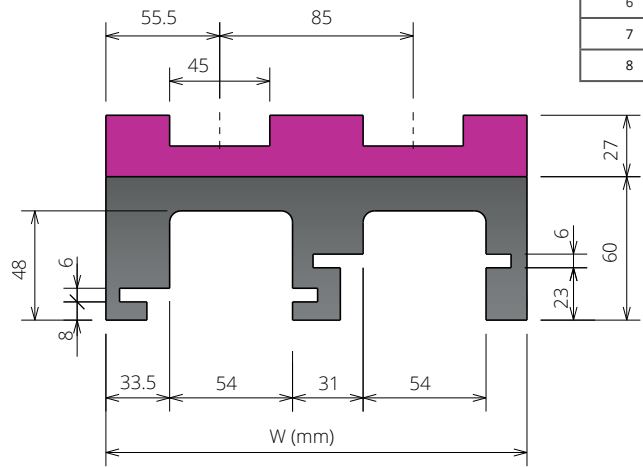
879M-K325 - 880M-K325 - 880M-K330 881M-K325
- 881M-K330 SERIES

MAGNETIC CURVES/BENDS-
1000mm CENTERLINE- 111mm WIDE- 85mm
PITCH- 100mm LEAD IN AND LEAD OUT



SINGLE TRACK - G00001-α6-T1-B3- Rm6- P0- L2

TRACKS	W
1	111
2	196
3	281
4	366
5	451
6	536
7	621
8	706



MULTI TRACK - G00001-α6- T2-B3- Rm6-P1-L2

Rm = 1000mm - MULTI TRACK - 100mm LEAD IN / LEAD OUT

α 15°		α 30°		α 45°	
CODE	DESCRIPTION	CODE	DESCRIPTION	CODE	DESCRIPTION
G00001-a1-T1-B3-Rm6-P0-L2	15°-1T-111w-1000CL-100L-MAG	G00001-a2-T1-B3-Rm6-P0-L2	30°-1T-111w-1000CL-100L-MAG	G00001-a3-T1-B3-Rm6-P0-L2	45°-1T-111w-1000CL-100L-MAG
G00001-a1-T2-B3-Rm6-P1-L2	15°-2T-111w-1000CL-P85-100L-MAG	G00001-a2-T2-B3-Rm6-P1-L2	30°-2T-111w-1000CL-P85-100L-MAG	G00001-a3-T2-B3-Rm6-P1-L2	45°-2T-111w-1000CL-P85-100L-MAG
G00001-a1-T3-B3-Rm6-P1-L2	15°-3T-111w-1000CL-P85-100L-MAG	G00001-a2-T3-B3-Rm6-P1-L2	30°-3T-111w-1000CL-P85-100L-MAG	G00001-a3-T3-B3-Rm6-P1-L2	45°-3T-111w-1000CL-P85-100L-MAG
G00001-a1-T4-B3-Rm6-P1-L2	15°-4T-111w-1000CL-P85-100L-MAG	G00001-a2-T4-B3-Rm6-P1-L2	30°-4T-111w-1000CL-P85-100L-MAG	G00001-a3-T4-B3-Rm6-P1-L2	45°-4T-111w-1000CL-P85-100L-MAG
G00001-a1-T5-B3-Rm6-P1-L2	15°-5T-111w-1000CL-P85-100L-MAG	G00001-a2-T5-B3-Rm6-P1-L2	30°-5T-111w-1000CL-P85-100L-MAG	G00001-a3-T5-B3-Rm6-P1-L2	45°-5T-111w-1000CL-P85-100L-MAG
G00001-a1-T6-B3-Rm6-P1-L2	15°-6T-111w-1000CL-P85-100L-MAG	G00001-a2-T6-B3-Rm6-P1-L2	30°-6T-111w-1000CL-P85-100L-MAG	G00001-a3-T6-B3-Rm6-P1-L2	45°-6T-111w-1000CL-P85-100L-MAG
G00001-a1-T7-B3-Rm6-P1-L2	15°-7T-111w-1000CL-P85-100L-MAG	G00001-a2-T7-B3-Rm6-P1-L2	30°-7T-111w-1000CL-P85-100L-MAG	G00001-a3-T7-B3-Rm6-P1-L2	45°-7T-111w-1000CL-P85-100L-MAG
G00001-a1-T8-B3-Rm6-P1-L2	15°-8T-111w-1000CL-P85-100L-MAG	G00001-a2-T8-B3-Rm6-P1-L2	30°-8T-111w-1000CL-P85-100L-MAG	G00001-a3-T8-B3-Rm6-P1-L2	45°-8T-111w-1000CL-P85-100L-MAG
α 60°		α 75°		α 90°	
CODE	DESCRIPTION	CODE	DESCRIPTION	CODE	DESCRIPTION
G00001-a4-T1-B3-Rm6-P0-L2	60°-1T-111w-1000CL-100L-MAG	G00001-a5-T1-B3-Rm6-P0-L2	75°-1T-111w-1000CL-100L-MAG	G00001-a6-T1-B3-Rm6-P0-L2	90°-1T-111w-1000CL-100L-MAG
G00001-a4-T2-B3-Rm6-P1-L2	60°-2T-111w-1000CL-P85-100L-MAG	G00001-a5-T2-B3-Rm6-P1-L2	75°-2T-111w-1000CL-P85-100L-MAG	G00001-a6-T2-B3-Rm6-P1-L2	90°-2T-111w-1000CL-P85-100L-MAG
G00001-a4-T3-B3-Rm6-P1-L2	60°-3T-111w-1000CL-P85-100L-MAG	G00001-a5-T3-B3-Rm6-P1-L2	75°-3T-111w-1000CL-P85-100L-MAG	G00001-a6-T3-B3-Rm6-P1-L2	90°-3T-111w-1000CL-P85-100L-MAG
G00001-a4-T4-B3-Rm6-P1-L2	60°-4T-111w-1000CL-P85-100L-MAG	G00001-a5-T4-B3-Rm6-P1-L2	75°-4T-111w-1000CL-P85-100L-MAG	G00001-a6-T4-B3-Rm6-P1-L2	90°-4T-111w-1000CL-P85-100L-MAG
G00001-a4-T5-B3-Rm6-P1-L2	60°-5T-111w-1000CL-P85-100L-MAG	G00001-a5-T5-B3-Rm6-P1-L2	75°-5T-111w-1000CL-P85-100L-MAG	G00001-a6-T5-B3-Rm6-P1-L2	90°-5T-111w-1000CL-P85-100L-MAG
G00001-a4-T6-B3-Rm6-P1-L2	60°-6T-111w-1000CL-P85-100L-MAG	G00001-a5-T6-B3-Rm6-P1-L2	75°-6T-111w-1000CL-P85-100L-MAG	G00001-a6-T6-B3-Rm6-P1-L2	90°-6T-111w-1000CL-P85-100L-MAG
G00001-a4-T7-B3-Rm6-P1-L2	60°-7T-111w-1000CL-P85-100L-MAG	G00001-a5-T7-B3-Rm6-P1-L2	75°-7T-111w-1000CL-P85-100L-MAG	G00001-a6-T7-B3-Rm6-P1-L2	90°-7T-111w-1000CL-P85-100L-MAG
G00001-a4-T8-B3-Rm6-P1-L2	60°-8T-111w-1000CL-P85-100L-MAG	G00001-a5-T8-B3-Rm6-P1-L2	75°-8T-111w-1000CL-P85-100L-MAG	G00001-a6-T8-B3-Rm6-P1-L2	90°-8T-111w-1000CL-P85-100L-MAG

NON STANDARD SIZES ARE AVAILABLE ON REQUEST.
STANDARD ORDER QTY: PER SET



CHAINS/BELTS
PG. A8 & PG. B11



MATERIALS



TABLE OF
CONTENTS



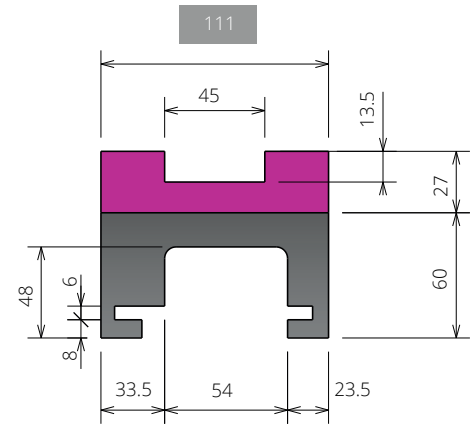
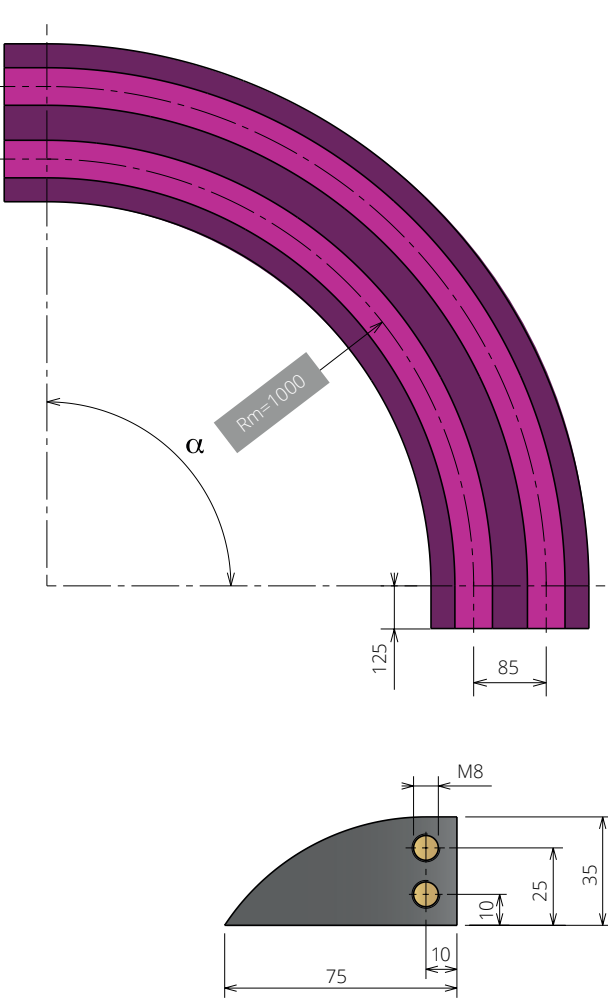
BACK TO CORNER TRACKS/
CURVES/BENDS INDEX (G)

WWW.IRP.CO.ZA

G00001

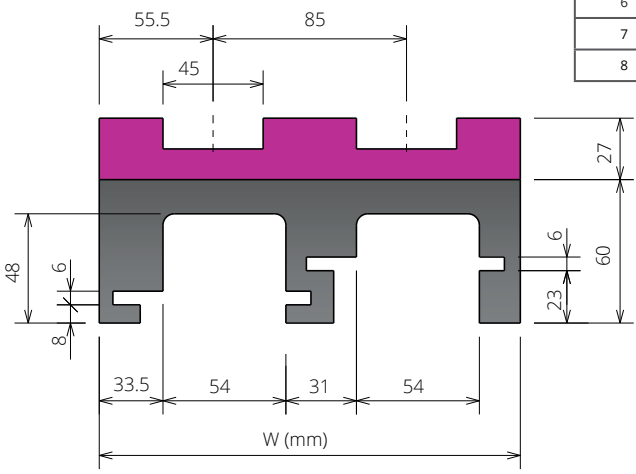
879M-K325 - 880M-K325 - 880M-K330 881M-K325
- 881M-K330 SERIES

MAGNETIC CURVES/BENDS-
1000mm CENTERLINE- 111mm WIDE- 85mm
PITCH- 125mm LEAD IN AND LEAD OUT



SINGLE TRACK - G00001-a6-T1-B3- Rm6- P0- L3

TRACKS	W
1	111
2	196
3	281
4	366
5	451
6	536
7	621
8	706



MULTI TRACK - G00001-a6- T2-B3- Rm6-P1-L3

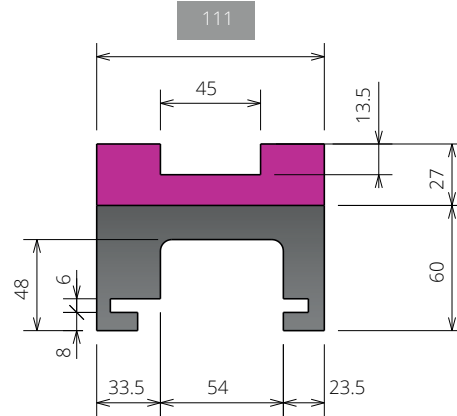
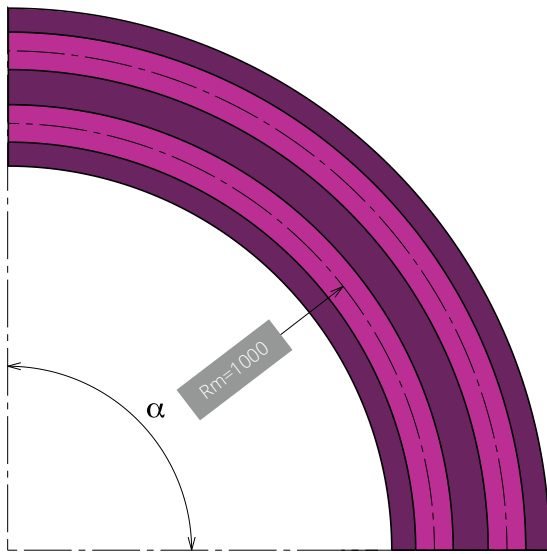
Rm =1000mm - MULTI TRACK - 125mm LEAD IN / LEAD OUT					
α 15°		α 30°		α 45°	
CODE	DESCRIPTION	CODE	DESCRIPTION	CODE	DESCRIPTION
G00001-a1-T1-B3-Rm6-P0-L3	15°-1T-111w-1000CL-125L-MAG	G00001-a2-T1-B3-Rm6-P0-L3	30°-1T-111w-1000CL-125L-MAG	G00001-a3-T1-B3-Rm6-P0-L3	45°-1T-111w-1000CL-125L-MAG
G00001-a1-T2-B3-Rm6-P1-L3	15°-2T-111w-1000CL-P85-125L-MAG	G00001-a2-T2-B3-Rm6-P1-L3	30°-2T-111w-1000CL-P85-125L-MAG	G00001-a3-T2-B3-Rm6-P1-L3	45°-2T-111w-1000CL-P85-125L-MAG
G00001-a1-T3-B3-Rm6-P1-L3	15°-3T-111w-1000CL-P85-125L-MAG	G00001-a2-T3-B3-Rm6-P1-L3	30°-3T-111w-1000CL-P85-125L-MAG	G00001-a3-T3-B3-Rm6-P1-L3	45°-3T-111w-1000CL-P85-125L-MAG
G00001-a1-T4-B3-Rm6-P1-L3	15°-4T-111w-1000CL-P85-125L-MAG	G00001-a2-T4-B3-Rm6-P1-L3	30°-4T-111w-1000CL-P85-125L-MAG	G00001-a3-T4-B3-Rm6-P1-L3	45°-4T-111w-1000CL-P85-125L-MAG
G00001-a1-T5-B3-Rm6-P1-L3	15°-5T-111w-1000CL-P85-125L-MAG	G00001-a2-T5-B3-Rm6-P1-L3	30°-5T-111w-1000CL-P85-125L-MAG	G00001-a3-T5-B3-Rm6-P1-L3	45°-5T-111w-1000CL-P85-125L-MAG
G00001-a1-T6-B3-Rm6-P1-L3	15°-6T-111w-1000CL-P85-125L-MAG	G00001-a2-T6-B3-Rm6-P1-L3	30°-6T-111w-1000CL-P85-125L-MAG	G00001-a3-T6-B3-Rm6-P1-L3	45°-6T-111w-1000CL-P85-125L-MAG
G00001-a1-T7-B3-Rm6-P1-L3	15°-7T-111w-1000CL-P85-125L-MAG	G00001-a2-T7-B3-Rm6-P1-L3	30°-7T-111w-1000CL-P85-125L-MAG	G00001-a3-T7-B3-Rm6-P1-L3	45°-7T-111w-1000CL-P85-125L-MAG
G00001-a1-T8-B3-Rm6-P1-L3	15°-8T-111w-1000CL-P85-125L-MAG	G00001-a2-T8-B3-Rm6-P1-L3	30°-8T-111w-1000CL-P85-125L-MAG	G00001-a3-T8-B3-Rm6-P1-L3	45°-8T-111w-1000CL-P85-125L-MAG
α 60°		α 75°		α 90°	
CODE	DESCRIPTION	CODE	DESCRIPTION	CODE	DESCRIPTION
G00001-a4-T1-B3-Rm6- P0-L3	60°-1T-111w-1000CL-125L-MAG	G00001-a5-T1-B3-Rm6-P0-L3	75°-1T-111w-1000CL-125L- MAG	G00001-a6-T1-B3-Rm6- P0- L3	90°-1T-111w-1000CL-125L-MAG
G00001-a4-T2-B3-Rm6-P1-L3	60°-2T-111w-1000CL-P85-125L-MAG	G00001-a5-T2-B3-Rm6-P1-L3	75°-2T-111w-1000CL-P85-125L-MAG	G00001-a6-T2-B3-Rm6-P1-L3	90°-2T-111w-1000CL-P85-125L-MAG
G00001-a4-T3-B3-Rm6-P1-L3	60°-3T-111w-1000CL-P85-125L-MAG	G00001-a5-T3-B3-Rm6-P1-L3	75°-3T-111w-1000CL-P85-125L-MAG	G00001-a6-T3-B3-Rm6-P1-L3	90°-3T-111w-1000CL-P85-125L-MAG
G00001-a4-T4-B3-Rm6-P1-L3	60°-4T-111w-1000CL-P85-125L-MAG	G00001-a5-T4-B3-Rm6-P1-L3	75°-4T-111w-1000CL-P85-125L-MAG	G00001-a6-T4-B3-Rm6-P1-L3	90°-4T-111w-1000CL-P85-125L-MAG
G00001-a4-T5-B3-Rm6-P1-L3	60°-5T-111w-1000CL-P85-125L-MAG	G00001-a5-T5-B3-Rm6-P1-L3	75°-5T-111w-1000CL-P85-125L-MAG	G00001-a6-T5-B3-Rm6-P1-L3	90°-5T-111w-1000CL-P85-125L-MAG
G00001-a4-T6-B3-Rm6-P1-L3	60°-6T-111w-1000CL-P85-125L-MAG	G00001-a5-T6-B3-Rm6-P1-L3	75°-6T-111w-1000CL-P85-125L-MAG	G00001-a6-T6-B3-Rm6-P1-L3	90°-6T-111w-1000CL-P85-125L-MAG
G00001-a4-T7-B3-Rm6-P1-L3	60°-7T-111w-1000CL-P85-125L-MAG	G00001-a5-T7-B3-Rm6-P1-L3	75°-7T-111w-1000CL-P85-125L-MAG	G00001-a6-T7-B3-Rm6-P1-L3	90°-7T-111w-1000CL-P85-125L-MAG
G00001-a4-T8-B3-Rm6-P1-L3	60°-8T-111w-1000CL-P85-125L-AMG	G00001-a5-T8-B3-Rm6-P1-L3	75°-8T-111w-1000CL-P85-125L-MAG	G00001-a6-T8-B3-Rm6-P1-L3	90°-8T-111w-1000CL-P85-125L-MAG

NON STANDARD SIZES ARE AVAILABLE ON REQUEST.
STANDARD ORDER QTY: PER SET

G00001

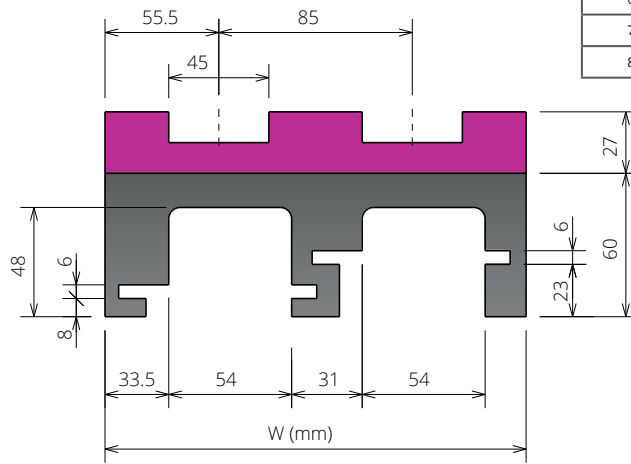
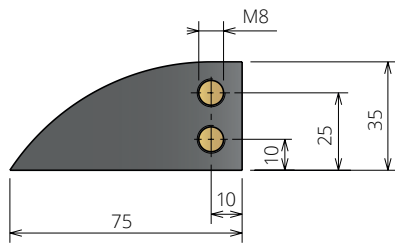
879M-K325 - 880M-K325 - 880M-K330 881M-K325
- 881M-K330 SERIES

MAGNETIC CURVES/BENDS-
1000mm CENTERLINE- 111mm WIDE- 85mm
PITCH- NO LEAD IN AND LEAD OUT



SINGLE TRACK - G00001-a6-T1-B3- Rm6- P0-L0

TRACKS	W
1	111
2	196
3	281
4	366
5	451
6	536
7	621
8	706



MULTI TRACK - G00001-a6-T2-B3- Rm6-P1-L0

Rm = 1000mm - MULTI TRACK - NO LEAD IN / LEAD OUT

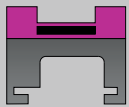
α 15°		α 30°		α 45°	
CODE	DESCRIPTION	CODE	DESCRIPTION	CODE	DESCRIPTION
G00001-a1-T1-B3-Rm6- P0-L0	15°-1T-111w-1000CL-0L-MAG	G00001-a2-T1-B3-Rm6-P0-L0	30°-1T-111w-1000CL-0L-MAG	G00001-a3-T1-B3-Rm6-P0-L0	45°-1T-111w-1000CL-0L-MAG
G00001-a1-T2-B3-Rm6-P1-L0	15°-2T-111w-1000CL-P85-0L-MAG	G00001-a2-T2-B3-Rm6-P1-L0	30°-2T-111w-1000CL-P85-0L-MAG	G00001-a3-T2-B3-Rm6-P1-L0	45°-2T-111w-1000CL-P85-0L-MAG
G00001-a1-T3-B3-Rm6-P1-L0	15°-3T-111w-1000CL-P85-0L-MAG	G00001-a2-T3-B3-Rm6-P1-L0	30°-3T-111w-1000CL-P85-0L-MAG	G00001-a3-T3-B3-Rm6-P1-L0	45°-3T-111w-1000CL-P85-0L-MAG
G00001-a1-T4-B3-Rm6-P1-L0	15°-4T-111w-1000CL-P85-0L-MAG	G00001-a2-T4-B3-Rm6-P1-L0	30°-4T-111w-1000CL-P85-0L-MAG	G00001-a3-T4-B3-Rm6-P1-L0	45°-4T-111w-1000CL-P85-0L-MAG
G00001-a1-T5-B3-Rm6-P1-L0	15°-5T-111w-1000CL-P85-0L-MAG	G00001-a2-T5-B3-Rm6-P1-L0	30°-5T-111w-1000CL-P85-0L-MAG	G00001-a3-T5-B3-Rm6-P1-L0	45°-5T-111w-1000CL-P85-0L-MAG
G00001-a1-T6-B3-Rm6-P1-L0	15°-6T-111w-1000CL-P85-0L-MAG	G00001-a2-T6-B3-Rm6-P1-L0	30°-6T-111w-1000CL-P85-0L-MAG	G00001-a3-T6-B3-Rm6-P1-L0	45°-6T-111w-1000CL-P85-0L-MAG
G00001-a1-T7-B3-Rm6-P1-L0	15°-7T-111w-1000CL-P85-0L-MAG	G00001-a2-T7-B3-Rm6-P1-L0	30°-7T-111w-1000CL-P85-0L-MAG	G00001-a3-T7-B3-Rm6-P1-L0	45°-7T-111w-1000CL-P85-0L-MAG
G00001-a1-T8-B3-Rm6-P1-L0	15°-8T-111w-1000CL-P85-0L-MAG	G00001-a2-T8-B3-Rm6-P1-L0	30°-8T-111w-1000CL-P85-0L-MAG	G00001-a3-T8-B3-Rm6-P1-L0	45°-8T-111w-1000CL-P85-0L-MAG
α 60°		α 75°		α 90°	
CODE	DESCRIPTION	CODE	DESCRIPTION	CODE	DESCRIPTION
G00001-a4-T1-B3-Rm6-P0-L0	60°-1T-111w-1000CL-0L-MAG	G00001-a5-T1-B3-Rm6-P0-L0	75°-1T-111w-1000CL-0L-MAG	G00001-a6-T1-B3-Rm6-P0-L0	90°-1T-111w-1000CL-0L-MAG
G00001-a4-T2-B3-Rm6-P1-L0	60°-2T-111w-1000CL-P85-0L-MAG	G00001-a5-T2-B3-Rm6-P1-L0	75°-2T-111w-1000CL-P85-0L-MAG	G00001-a6-T2-B3-Rm6-P1-L0	90°-2T-111w-1000CL-P85-0L-MAG
G00001-a4-T3-B3-Rm6-P1-L0	60°-3T-111w-1000CL-P85-0L-MAG	G00001-a5-T3-B3-Rm6-P1-L0	75°-3T-111w-1000CL-P85-0L-MAG	G00001-a6-T3-B3-Rm6-P1-L0	90°-3T-111w-1000CL-P85-0L-MAG
G00001-a4-T4-B3-Rm6-P1-L0	60°-4T-111w-1000CL-P85-0L-MAG	G00001-a5-T4-B3-Rm6-P1-L0	75°-4T-111w-1000CL-P85-0L-MAG	G00001-a6-T4-B3-Rm6-P1-L0	90°-4T-111w-1000CL-P85-0L-MAG
G00001-a4-T5-B3-Rm6-P1-L0	60°-5T-111w-1000CL-P85-0L-MAG	G00001-a5-T5-B3-Rm6-P1-L0	75°-5T-111w-1000CL-P85-0L-MAG	G00001-a6-T5-B3-Rm6-P1-L0	90°-5T-111w-1000CL-P85-0L-MAG
G00001-a4-T6-B3-Rm6-P1-L0	60°-6T-111w-1000CL-P85-0L-MAG	G00001-a5-T6-B3-Rm6-P1-L0	75°-6T-111w-1000CL-P85-0L-MAG	G00001-a6-T6-B3-Rm6-P1-L0	90°-6T-111w-1000CL-P85-0L-MAG
G00001-a4-T7-B3-Rm6-P1-L0	60°-7T-111w-1000CL-P85-0L-MAG	G00001-a5-T7-B3-Rm6-P1-L0	75°-7T-111w-1000CL-P85-0L-MAG	G00001-a6-T7-B3-Rm6-P1-L0	90°-7T-111w-1000CL-P85-0L-MAG
G00001-a4-T8-B3-Rm6-P1-L0	60°-8T-111w-1000CL-P85-0L-MAG	G00001-a5-T8-B3-Rm6-P1-L0	75°-8T-111w-1000CL-P85-0L-MAG	G00001-a6-T8-B3-Rm6-P1-L0	90°-8T-111w-1000CL-P85-0L-MAG

NON STANDARD SIZES ARE AVAILABLE ON REQUEST.
STANDARD ORDER QTY: PER SET

G00002

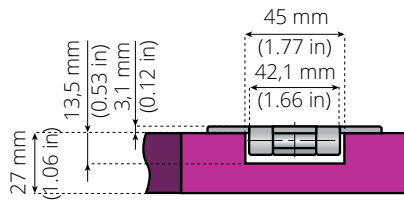
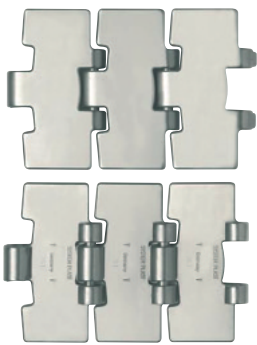
K450 CORNER TRACKS / CURVES / BENDS MAGNETIC

MAGNETIC

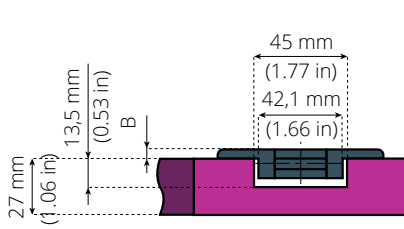
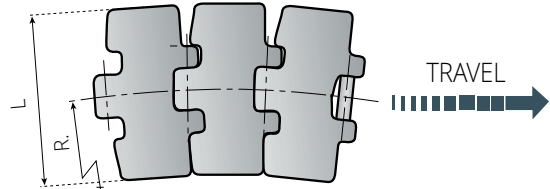
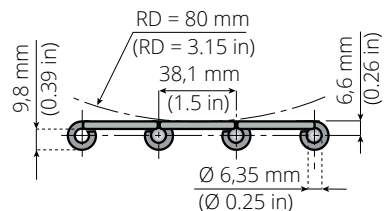


The magnetic corner track is the most effective and reliable system for the table top conveyor design.

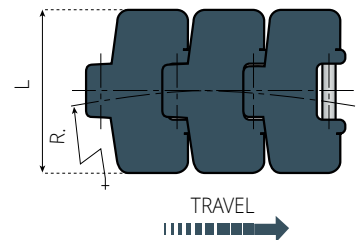
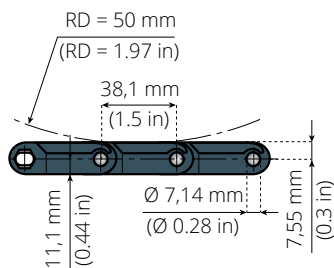
The magnets are carefully selected and positioned to provide the correct magnetic field to hold the chain on the corner track and this provides a flat carrying surface for the chain; thus, improving product stability and support for the product.

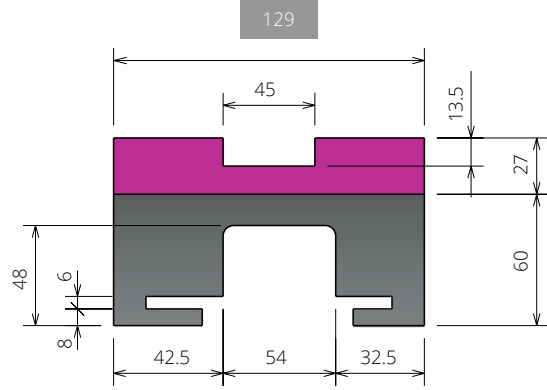
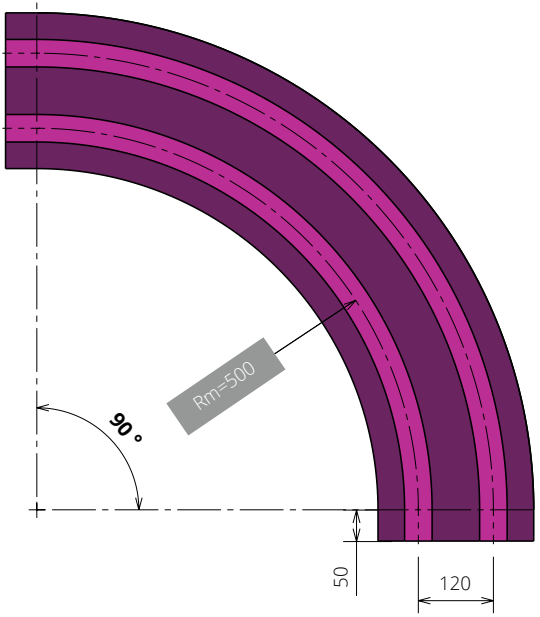


PG: A8



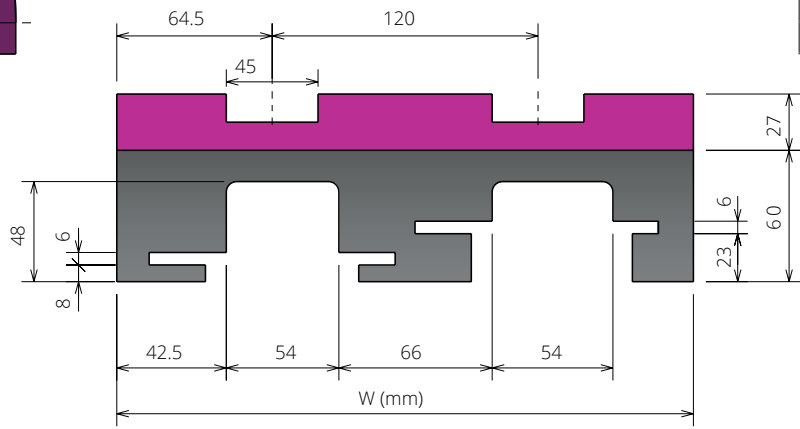
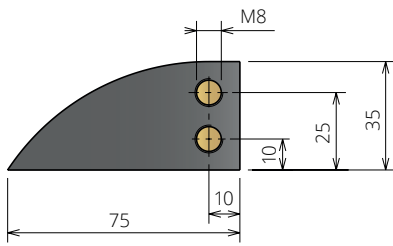
PG: B11





SINGLE TRACK - G00002-a6-T1-B4-Rm1-P0-L1

TRACKS	W
1	129
2	249
3	369
4	489
5	609
6	729
7	849
8	969

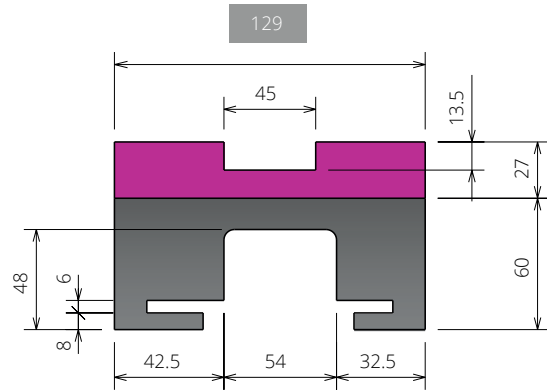
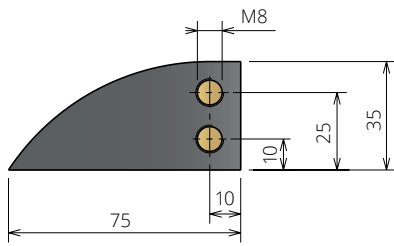
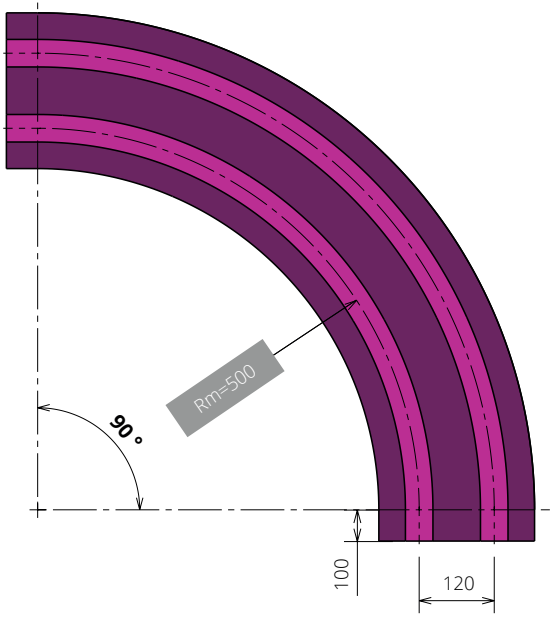


MULTI TRACK - G00002-a6-T2-B4-Rm1-P5-L1

Rm = 500mm - MULTI TRACK - 50mm LEAD IN / LEAD OUT

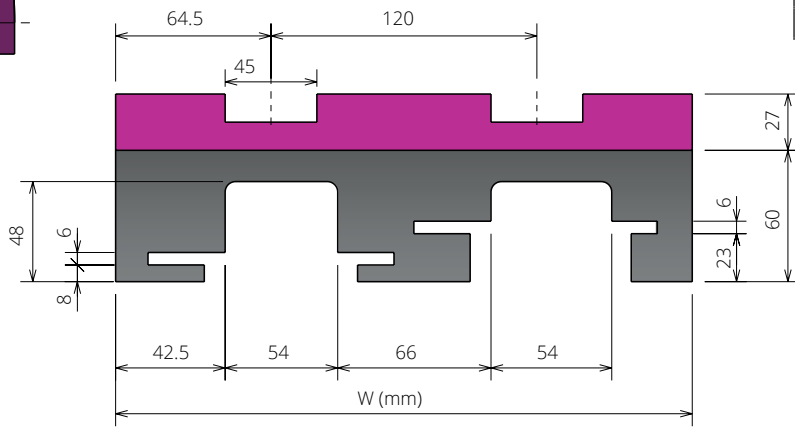
α 15°		α 30°		α 45°	
CODE	DESCRIPTION	CODE	DESCRIPTION	CODE	DESCRIPTION
G00002-a1-T1-B4-Rm1-P0-L1	15°-1T-129w-500CL-50L-MAG	G00002-a2-T1-B4-Rm1-P0-L1	30°-1T-129w-500CL-50L-MAG	G00002-a3-T1-B4-Rm1-P0-L1	45°-1T-129w-500CL-50L-MAG
G00002-a1-T2-B4-Rm1-P5-L1	15°-2T-129w-500CL-P120-50L-MAG	G00002-a2-T2-B4-Rm1-P5-L1	30°-2T-129w-500CL-P120-50L-MAG	G00002-a3-T2-B4-Rm1-P5-L1	45°-2T-129w-500CL-P120-50L-MAG
G00002-a1-T3-B4-Rm1-P5-L1	15°-3T-129w-500CL-P120-50L-MAG	G00002-a2-T3-B4-Rm1-P5-L1	30°-3T-129w-500CL-P120-50L-MAG	G00002-a3-T3-B4-Rm1-P5-L1	45°-3T-129w-500CL-P120-50L-MAG
G00002-a1-T4-B4-Rm1-P5-L1	15°-4T-129w-500CL-P120-50L-MAG	G00002-a2-T4-B4-Rm1-P5-L1	30°-4T-129w-500CL-P120-50L-MAG	G00002-a3-T4-B4-Rm1-P5-L1	45°-4T-129w-500CL-P120-50L-MAG
G00002-a1-T5-B4-Rm1-P5-L1	15°-5T-129w-500CL-P120-50L-MAG	G00002-a2-T5-B4-Rm1-P5-L1	30°-5T-129w-500CL-P120-50L-MAG	G00002-a3-T5-B4-Rm1-P5-L1	45°-5T-129w-500CL-P120-50L-MAG
G00002-a1-T6-B4-Rm1-P5-L1	15°-6T-129w-500CL-P120-50L-MAG	G00001-a2-T6-B4-Rm1-P5-L1	30°-6T-129w-500CL-P120-50L-MAG	G00002-a3-T6-B4-Rm1-P5-L1	45°-6T-129w-500CL-P120-50L-MAG
G00002-a1-T7-B4-Rm1-P5-L1	15°-7T-129w-500CL-P120-50L-MAG	G00002-a2-T7-B4-Rm1-P5-L1	30°-7T-129w-500CL-P120-50L-MAG	G00002-a3-T7-B4-Rm1-P5-L1	45°-7T-129w-500CL-P120-50L-MAG
G00002-a1-T8-B4-Rm1-P5-L1	15°-8T-129w-500CL-P120-50L-MAG	G00002-a2-T8-B4-Rm1-P5-L1	30°-8T-129w-500CL-P120-50L-MAG	G00002-a3-T8-B4-Rm1-P5-L1	45°-8T-129w-500CL-P120-50L-MAG
α 60°		α 75°		α 90°	
CODE	DESCRIPTION	CODE	DESCRIPTION	CODE	DESCRIPTION
G00002-a4-T1-B4-Rm1-P0-L1	60°-1T-129w-500CL-50L-MAG	G00002-a5-T1-B4-Rm1-P0-L1	75°-1T-129w-500CL-50L-MAG	G00002-a6-T1-B4-Rm1-P0-L1	90°-1T-129w-500CL-50L-MAG
G00002-a4-T2-B4-Rm1-P5-L1	60°-2T-129w-500CL-P120-50L-MAG	G00002-a5-T2-B4-Rm1-P5-L1	75°-2T-129w-500CL-P120-50L-MAG	G00002-a6-T2-B4-Rm1-P5-L1	90°-2T-129w-500CL-P120-50L-MAG
G00002-a4-T3-B4-Rm1-P5-L1	60°-3T-129w-500CL-P120-50L-MAG	G00002-a5-T3-B4-Rm1-P5-L1	75°-3T-129w-500CL-P120-50L-MAG	G00002-a6-T3-B4-Rm1-P5-L1	90°-3T-129w-500CL-P120-50L-MAG
G00002-a4-T4-B4-Rm1-P5-L1	60°-4T-129w-500CL-P120-50L-MAG	G00002-a5-T4-B4-Rm1-P5-L1	75°-4T-129w-500CL-P120-50L-MAG	G00002-a6-T4-B4-Rm1-P5-L1	90°-4T-129w-500CL-P120-50L-MAG
G00002-a4-T5-B4-Rm1-P5-L1	60°-5T-129w-500CL-P120-50L-MAG	G00002-a5-T5-B4-Rm1-P5-L1	75°-5T-129w-500CL-P120-50L-MAG	G00002-a6-T5-B4-Rm1-P5-L1	90°-5T-129w-500CL-P120-50L-MAG
G00002-a4-T6-B4-Rm1-P5-L1	60°-6T-129w-500CL-P120-50L-MAG	G00002-a5-T6-B4-Rm1-P5-L1	75°-6T-129w-500CL-P120-50L-MAG	G00002-a6-T6-B4-Rm1-P5-L1	90°-6T-129w-500CL-P120-50L-MAG
G00002-a4-T7-B4-Rm1-P5-L1	60°-7T-129w-500CL-P120-50L-MAG	G00002-a5-T7-B4-Rm1-P5-L1	75°-7T-129w-500CL-P120-50L-MAG	G00002-a6-T7-B4-Rm1-P5-L1	90°-7T-129w-500CL-P120-50L-MAG
G00002-a4-T8-B4-Rm1-P5-L1	60°-8T-129w-500CL-P120-50L-MAG	G00002-a5-T8-B4-Rm1-P5-L1	75°-8T-129w-500CL-P120-50L-MAG	G00002-a6-T8-B4-Rm1-P5-L1	90°-8T-129w-500CL-P120-50L-MAG

NON STANDARD SIZES ARE AVAILABLE ON REQUEST.
STANDARD ORDER QTY: PER SET



SINGLE TRACK - G00002-a6-T1-B4-Rm1-P0-L2

TRACKS	W
1	129
2	249
3	369
4	489
5	609
6	729
7	849
8	969

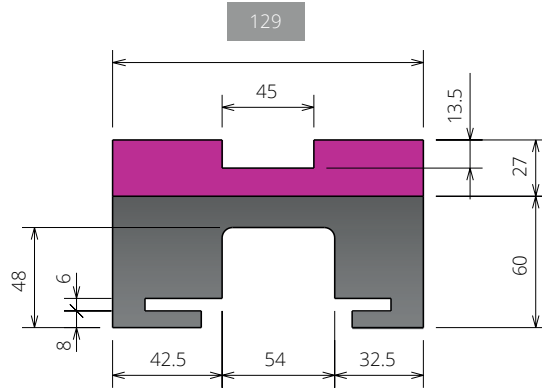
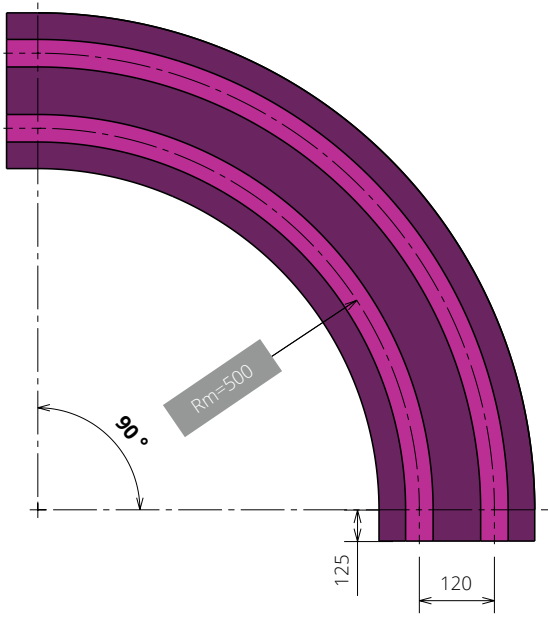


MULTI TRACK - G00002-a6-T2-B4-Rm1-P5-L2

Rm = 500mm - MULTI TRACK - 100mm LEAD IN / LEAD OUT

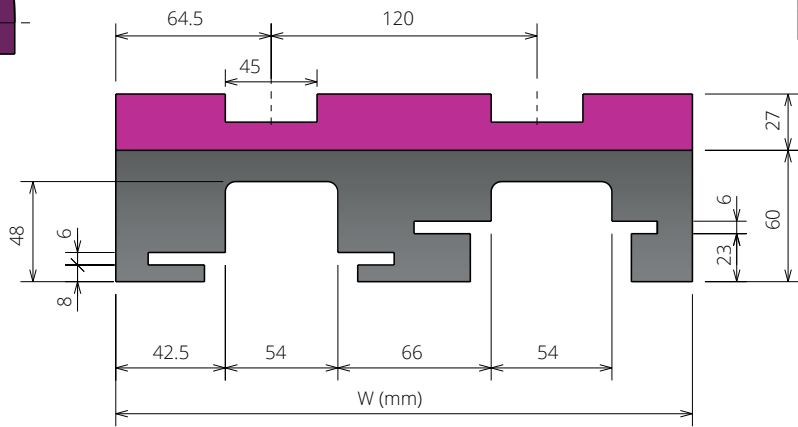
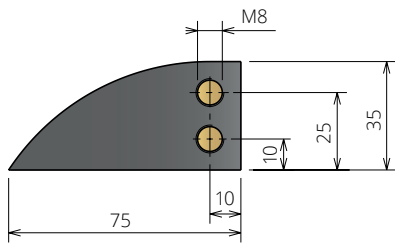
α 15°		α 30°		α 45°	
CODE	DESCRIPTION	CODE	DESCRIPTION	CODE	DESCRIPTION
G00002-a1-T1-B4-Rm1-P0-L2	15°-1T-129w-500CL-100L-MAG	G00002-a2-T1-B4-Rm1-P0-L2	30°-1T-129w-500CL-100L-MAG	G00002-a3-T1-B4-Rm1-P0-L2	45°-1T-129w-500CL-100L-MAG
G00002-a1-T2-B4-Rm1-P5-L2	15°-2T-129w-500CL-P120-100L-MAG	G00002-a2-T2-B4-Rm1-P5-L2	30°-2T-129w-500CL-P120-100L-MAG	G00002-a3-T2-B4-Rm1-P5-L2	45°-2T-129w-500CL-P120-100L-MAG
G00002-a1-T3-B4-Rm1-P5-L2	15°-3T-129w-500CL-P120-100L-MAG	G00002-a2-T3-B4-Rm1-P5-L2	30°-3T-129w-500CL-P120-100L-MAG	G00002-a3-T3-B4-Rm1-P5-L2	45°-3T-129w-500CL-P120-100L-MAG
G00002-a1-T4-B4-Rm1-P5-L2	15°-4T-129w-500CL-P120-100L-MAG	G00002-a2-T4-B4-Rm1-P5-L2	30°-4T-129w-500CL-P120-100L-MAG	G00002-a3-T4-B4-Rm1-P5-L2	45°-4T-129w-500CL-P120-100L-MAG
G00002-a1-T5-B4-Rm1-P5-L2	15°-5T-129w-500CL-P120-100L-MAG	G00002-a2-T5-B4-Rm1-P5-L2	30°-5T-129w-500CL-P120-100L-MAG	G00002-a3-T5-B4-Rm1-P5-L2	45°-5T-129w-500CL-P120-100L-MAG
G00002-a1-T6-B4-Rm1-P5-L2	15°-6T-129w-500CL-P120-100L-MAG	G00001-a2-T6-B4-Rm1-P5-L2	30°-6T-129w-500CL-P120-100L-MAG	G00002-a3-T6-B4-Rm1-P5-L2	45°-6T-129w-500CL-P120-100L-MAG
G00002-a1-T7-B4-Rm1-P5-L2	15°-7T-129w-500CL-P120-100L-MAG	G00002-a2-T7-B4-Rm1-P5-L2	30°-7T-129w-500CL-P120-100L-MAG	G00002-a3-T7-B4-Rm1-P5-L2	45°-7T-129w-500CL-P120-100L-MAG
G00002-a1-T8-B4-Rm1-P5-L2	15°-8T-129w-500CL-P120-100L-MAG	G00002-a2-T8-B4-Rm1-P5-L2	30°-8T-129w-500CL-P120-100L-MAG	G00002-a3-T8-B4-Rm1-P5-L2	45°-8T-129w-500CL-P120-100L-MAG
α 60°		α 75°		α 90°	
CODE	DESCRIPTION	CODE	DESCRIPTION	CODE	DESCRIPTION
G00002-a4-T1-B4-Rm1-P0-L2	60°-1T-129w-500CL-100L-MAG	00002-a5-T1-B4-Rm1-P0-L2	75°-1T-129w-500CL-100L-MAG	0002-a6-T1-B4-Rm1-P0-L2	90°-1T-129w-500CL-100L-MAG
G00002-a4-T2-B4-Rm1-P5-L2	60°-2T-129w-500CL-P120-100L-MAG	G00002-a5-T2-B4-Rm1-P5-L2	75°-2T-129w-500CL-P120-100L-MAG	G00002-a6-T2-B4-Rm1-P5-L2	90°-2T-129w-500CL-P120-100L-MAG
G00002-a4-T3-B4-Rm1-P5-L2	60°-3T-129w-500CL-P120-100L-MAG	G00002-a5-T3-B4-Rm1-P5-L2	75°-3T-129w-500CL-P120-100L-MAG	G00002-a6-T3-B4-Rm1-P5-L2	90°-3T-129w-500CL-P120-100L-MAG
G00002-a4-T4-B4-Rm1-P5-L2	60°-4T-129w-500CL-P120-100L-MAG	G00002-a5-T4-B4-Rm1-P5-L2	75°-4T-129w-500CL-P120-100L-MAG	G00002-a6-T4-B4-Rm1-P5-L2	90°-4T-129w-500CL-P120-100L-MAG
G00002-a4-T5-B4-Rm1-P5-L2	60°-5T-129w-500CL-P120-100L-MAG	G00002-a5-T5-B4-Rm1-P5-L2	75°-5T-129w-500CL-P120-100L-MAG	G00002-a6-T5-B4-Rm1-P5-L2	90°-5T-129w-500CL-P120-100L-MAG
G00002-a4-T6-B4-Rm1-P5-L2	60°-6T-129w-500CL-P120-100L-MAG	G00002-a5-T6-B4-Rm1-P5-L2	75°-6T-129w-500CL-P120-100L-MAG	G00002-a6-T6-B4-Rm1-P5-L2	90°-6T-129w-500CL-P120-100L-MAG
G00002-a4-T7-B4-Rm1-P5-L2	60°-7T-129w-500CL-P120-100L-MAG	G00002-a5-T7-B4-Rm1-P5-L2	75°-7T-129w-500CL-P120-100L-MAG	G00002-a6-T7-B4-Rm1-P5-L2	90°-7T-129w-500CL-P120-100L-MAG
G00002-a4-T8-B4-Rm1-P5-L2	60°-8T-129w-500CL-P120-100L-MAG	G00002-a5-T8-B4-Rm1-P5-L2	75°-8T-129w-500CL-P120-100L-MAG	G00002-a6-T8-B4-Rm1-P5-L2	90°-8T-129w-500CL-P120-100L-MAG

NON STANDARD SIZES ARE AVAILABLE ON REQUEST.
STANDARD ORDER QTY: PER SET



SINGLE TRACK - G00002-a6-T1-B4-Rm1-P0-L3

TRACKS	W
1	129
2	249
3	369
4	489
5	609
6	729
7	849
8	969

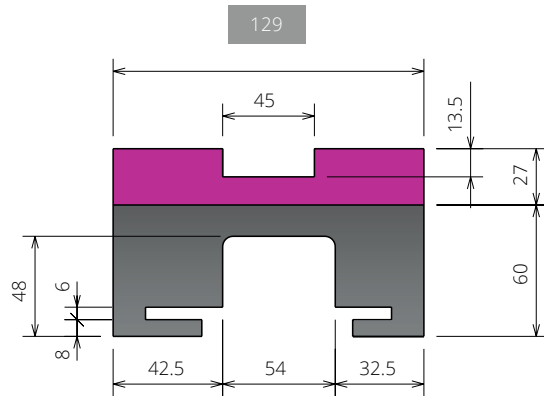
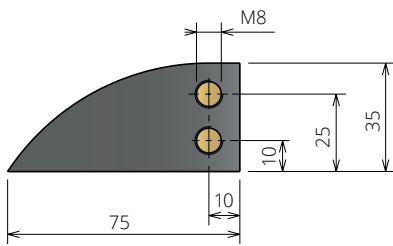
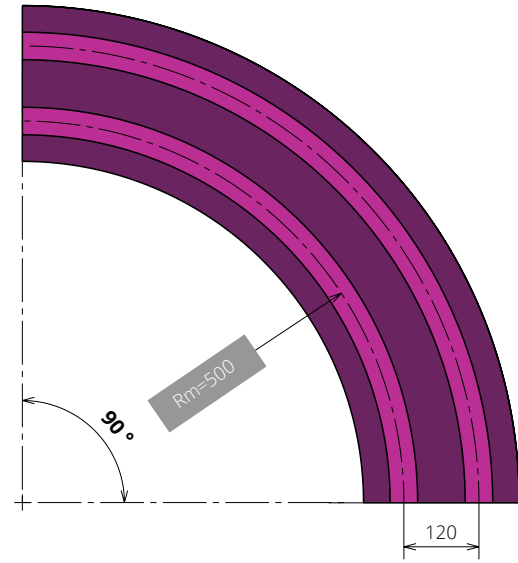


MULTI TRACK - G00002-a6-T2-B4-Rm1-P5-L3

Rm = 500mm - MULTI TRACK - 125mm LEAD IN / LEAD OUT

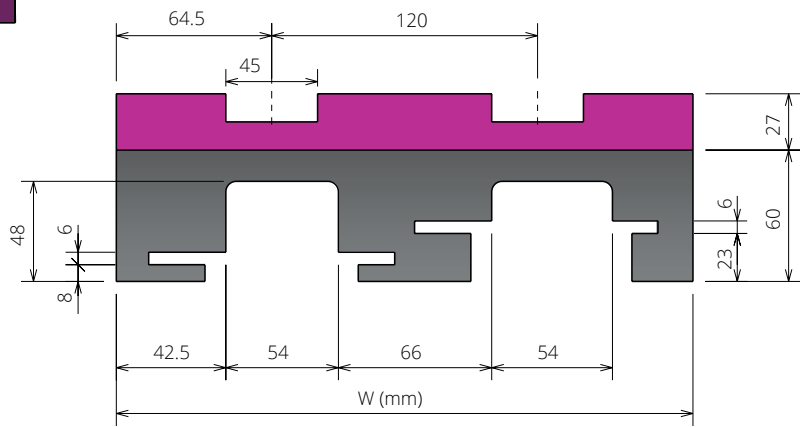
α 15°		α 30°		α 45°	
CODE	DESCRIPTION	CODE	DESCRIPTION	CODE	DESCRIPTION
G00002-a1-T1-B4-Rm1-P0-L3	15°-1T-129w-500CL-125L-MAG	G00002-a2-T1-B4-Rm1-P0-L3	30°-1T-129w-500CL-125L-MAG	G00002-a3-T1-B4-Rm1-P0-L3	45°-1T-129w-500CL-125L-MAG
G00002-a1-T2-B4-Rm1-P5-L3	15°-2T-129w-500CL-P120-125L-MAG	G00002-a2-T2-B4-Rm1-P5-L3	30°-2T-129w-500CL-P120-125L-MAG	G00002-a3-T2-B4-Rm1-P5-L3	45°-2T-129w-500CL-P120-125L-MAG
G00002-a1-T3-B4-Rm1-P5-L3	15°-3T-129w-500CL-P120-125L-MAG	G00002-a2-T3-B4-Rm1-P5-L3	30°-3T-129w-500CL-P120-125L-MAG	G00002-a3-T3-B4-Rm1-P5-L3	45°-3T-129w-500CL-P120-125L-MAG
G00002-a1-T4-B4-Rm1-P5-L3	15°-4T-129w-500CL-P120-125L-MAG	G00002-a2-T4-B4-Rm1-P5-L3	30°-4T-129w-500CL-P120-125L-MAG	G00002-a3-T4-B4-Rm1-P5-L3	45°-4T-129w-500CL-P120-125L-MAG
G00002-a1-T5-B4-Rm1-P5-L3	15°-5T-129w-500CL-P120-125L-MAG	00002-a2-T5-B4-Rm1-P5-L3	30°-5T-129w-500CL-P120-125L-MAG	00002-a3-T5-B4-Rm1-P5-L3	45°-5T-129w-500CL-P120-125L-MAG
G00002-a1-T6-B4-Rm1-P5-L3	15°-6T-129w-500CL-P120-125L-MAG	G00001-a2-T6-B4-Rm1-P5-L3	30°-6T-129w-500CL-P120-125L-MAG	G00002-a3-T6-B4-Rm1-P5-L3	45°-6T-129w-500CL-P120-125L-MAG
G00002-a1-T7-B4-Rm1-P5-L3	15°-7T-129w-500CL-P120-125L-MAG	G00002-a2-T7-B4-Rm1-P5-L3	30°-7T-129w-500CL-P120-125L-MAG	G00002-a3-T7-B4-Rm1-P5-L3	45°-7T-129w-500CL-P120-125L-MAG
G00002-a1-T8-B4-Rm1-P5-L3	15°-8T-129w-500CL-P120-125L-MAG	G00002-a2-T8-B4-Rm1-P5-L3	30°-8T-129w-500CL-P120-125L-MAG	G00002-a3-T8-B4-Rm1-P5-L3	45°-8T-129w-500CL-P120-125L-MAG
α 60°		α 75°		α 90°	
CODE	DESCRIPTION	CODE	DESCRIPTION	CODE	DESCRIPTION
G00002-a4-T1-B4-Rm1-P0-L3	60°-1T-129w-500CL-125L-MAG	G00002-a5-T1-B4-Rm1-P0-L3	75°-1T-129w-500CL-125L-MAG	G00002-a6-T1-B4-Rm1-P0-L3	90°-1T-129w-500CL-125L-MAG
G00002-a4-T2-B4-Rm1-P5-L3	60°-2T-129w-500CL-P120-125L-MAG	G00002-a5-T2-B4-Rm1-P5-L3	75°-2T-129w-500CL-P120-125L-MAG	G00002-a6-T2-B4-Rm1-P5-L3	90°-2T-129w-500CL-P120-125L-MAG
G00002-a4-T3-B4-Rm1-P5-L3	60°-3T-129w-500CL-P120-125L-MAG	G00002-a5-T3-B4-Rm1-P5-L3	75°-3T-129w-500CL-P120-125L-MAG	G00002-a6-T3-B4-Rm1-P5-L3	90°-3T-129w-500CL-P120-125L-MAG
G00002-a4-T4-B4-Rm1-P5-L3	60°-4T-129w-500CL-P120-125L-MAG	G00002-a5-T4-B4-Rm1-P5-L3	75°-4T-129w-500CL-P120-125L-MAG	G00002-a6-T4-B4-Rm1-P5-L3	90°-4T-129w-500CL-P120-125L-MAG
G00002-a4-T5-B4-Rm1-P5-L3	60°-5T-129w-500CL-P120-125L-MAG	00002-a5-T5-B4-Rm1-P5-L3	75°-5T-129w-500CL-P120-125L-MAG	G00002-a6-T5-B4-Rm1-P5-L3	90°-5T-129w-500CL-P120-125L-MAG
G00002-a4-T6-B4-Rm1-P5-L3	60°-6T-129w-500CL-P120-125L-MAG	G00002-a5-T6-B4-Rm1-P5-L3	75°-6T-129w-500CL-P120-125L-MAG	G00002-a6-T6-B4-Rm1-P5-L3	90°-6T-129w-500CL-P120-125L-MAG
G00002-a4-T7-B4-Rm1-P5-L3	60°-7T-129w-500CL-P120-125L-MAG	G00002-a5-T7-B4-Rm1-P5-L3	75°-7T-129w-500CL-P120-125L-MAG	G00002-a6-T7-B4-Rm1-P5-L3	90°-7T-129w-500CL-P120-125L-MAG
G00002-a4-T8-B4-Rm1-P5-L3	60°-8T-129w-500CL-P120-125L-MAG	G00002-a5-T8-B4-Rm1-P5-L3	75°-8T-129w-500CL-P120-125L-MAG	G00002-a6-T8-B4-Rm1-P5-L3	90°-8T-129w-500CL-P120-125L-MAG

NON STANDARD SIZES ARE AVAILABLE ON REQUEST.
STANDARD ORDER QTY: PER SET



SINGLE TRACK - G00002-α6-T1-B4-Rm1-P0-L0

TRACKS	W
1	129
2	249
3	369
4	489
5	609
6	729
7	849
8	969

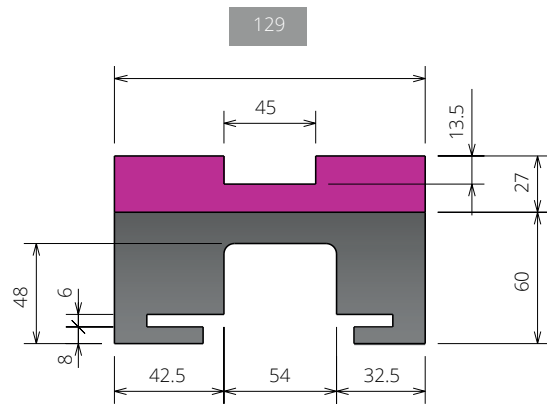
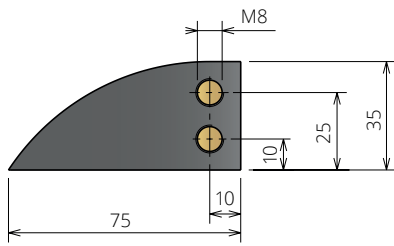
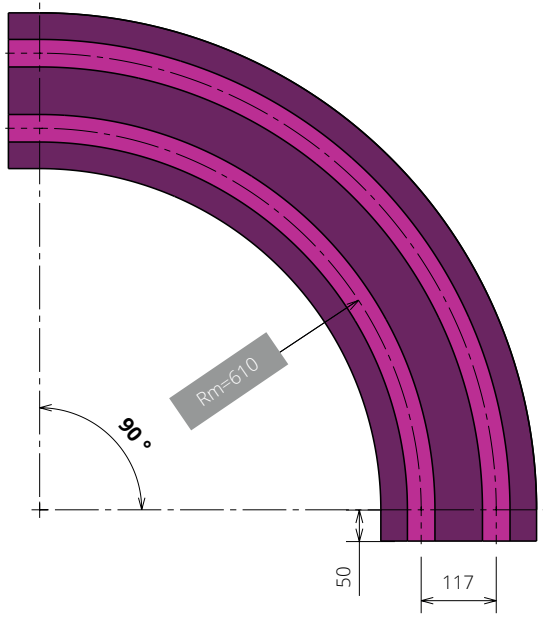


MULTI TRACK - G00002-α6-T2-B4-Rm1-P5-L0

Rm = 500mm - MULTI TRACK - NO LEAD IN / LEAD OUT

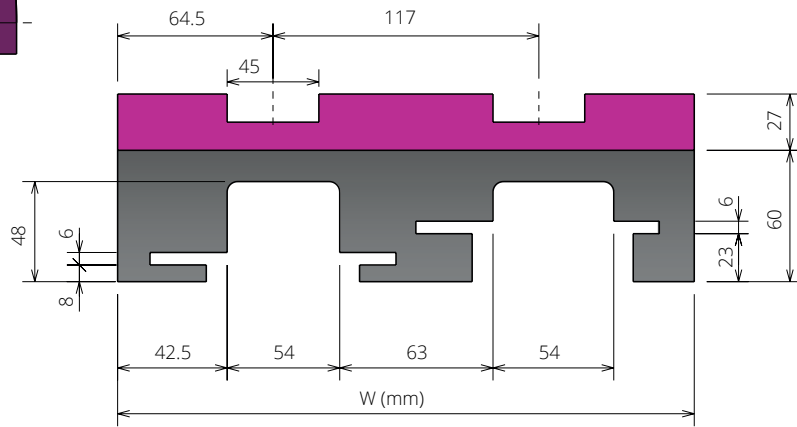
α 15°		α 30°		α 45°	
CODE	DESCRIPTION	CODE	DESCRIPTION	CODE	DESCRIPTION
G00002-α1-T1-B4-Rm1-P0-L0	15°-1T-129w-500CL-0L-MAG	G00002-α2-T1-B4-Rm1-P0-L0	30°-1T-129w-500CL-0L-MAG	G00002-α3-T1-B4-Rm1-P0-L0	45°-1T-129w-500CL-0L-MAG
G00002-α1-T2-B4-Rm1-P5-L0	15°-2T-129w-500CL-P120-0L-MAG	G00002-α2-T2-B4-Rm1-P5-L0	30°-2T-129w-500CL-P120-0L-MAG	G00002-α3-T2-B4-Rm1-P5-L0	45°-2T-129w-500CL-P120-0L-MAG
G00002-α1-T3-B4-Rm1-P5-L0	15°-3T-129w-500CL-P120-0L-MAG	G00002-α2-T3-B4-Rm1-P5-L0	30°-3T-129w-500CL-P120-0L-MAG	G00002-α3-T3-B4-Rm1-P5-L0	45°-3T-129w-500CL-P120-0L-MAG
G00002-α1-T4-B4-Rm1-P5-L0	15°-4T-129w-500CL-P120-0L-MAG	G00002-α2-T4-B4-Rm1-P5-L0	30°-4T-129w-500CL-P120-0L-MAG	G00002-α3-T4-B4-Rm1-P5-L0	45°-4T-129w-500CL-P120-0L-MAG
G00002-α1-T5-B4-Rm1-P5-L0	15°-5T-129w-500CL-P120-0L-MAG	G00002-α2-T5-B4-Rm1-P5-L0	30°-5T-129w-500CL-P120-0L-MAG	G00002-α3-T5-B4-Rm1-P5-L0	45°-5T-129w-500CL-P120-0L-MAG
G00002-α1-T6-B4-Rm1-P5-L0	15°-6T-129w-500CL-P120-0L-MAG	G00001-α2-T6-B4-Rm1-P5-L0	30°-6T-129w-500CL-P120-0L-MAG	G00002-α3-T6-B4-Rm1-P5-L0	45°-6T-129w-500CL-P120-0L-MAG
G00002-α1-T7-B4-Rm1-P5-L0	15°-7T-129w-500CL-P120-0L-MAG	G00002-α2-T7-B4-Rm1-P5-L0	30°-7T-129w-500CL-P120-0L-MAG	G00002-α3-T7-B4-Rm1-P5-L0	45°-7T-129w-500CL-P120-0L-MAG
G00002-α1-T8-B4-Rm1-P5-L0	15°-8T-129w-500CL-P120-0L-MAG	G00002-α2-T8-B4-Rm1-P5-L0	30°-8T-129w-500CL-P120-0L-MAG	G00002-α3-T8-B4-Rm1-P5-L0	45°-8T-129w-500CL-P120-0L-MAG
α 60°		α 75°		α 90°	
CODE	DESCRIPTION	CODE	DESCRIPTION	CODE	DESCRIPTION
G00002-α4-T1-B4-Rm1-P0-L0	60°-1T-129w-500CL-0L-MAG	G00002-α5-T1-B4-Rm1-P0-L0	75°-1T-129w-500CL-0L-MAG	G00002-α6-T1-B4-Rm1-P0-L0	90°-1T-129w-500CL-0L-MAG
G00002-α4-T2-B4-Rm1-P5-L0	60°-2T-129w-500CL-P120-0L-MAG	G00002-α5-T2-B4-Rm1-P5-L0	75°-2T-129w-500CL-P120-0L-MAG	G00002-α6-T2-B4-Rm1-P5-L0	90°-2T-129w-500CL-P120-0L-MAG
G00002-α4-T3-B4-Rm1-P5-L0	60°-3T-129w-500CL-P120-0L-MAG	G00002-α5-T3-B4-Rm1-P5-L0	75°-3T-129w-500CL-P120-0L-MAG	G00002-α6-T3-B4-Rm1-P5-L0	90°-3T-129w-500CL-P120-0L-MAG
G00002-α4-T4-B4-Rm1-P5-L0	60°-4T-129w-500CL-P120-0L-MAG	G00002-α5-T4-B4-Rm1-P5-L0	75°-4T-129w-500CL-P120-0L-MAG	G00002-α6-T4-B4-Rm1-P5-L0	90°-4T-129w-500CL-P120-0L-MAG
G00002-α4-T5-B4-Rm1-P5-L0	60°-5T-129w-500CL-P120-0L-MAG	G00002-α5-T5-B4-Rm1-P5-L0	75°-5T-129w-500CL-P120-0L-MAG	G00002-α6-T5-B4-Rm1-P5-L0	90°-5T-129w-500CL-P120-0L-MAG
G00002-α4-T6-B4-Rm1-P5-L0	60°-6T-129w-500CL-P120-0L-MAG	G00002-α5-T6-B4-Rm1-P5-L0	75°-6T-129w-500CL-P120-0L-MAG	G00002-α6-T6-B4-Rm1-P5-L0	90°-6T-129w-500CL-P120-0L-MAG
G00002-α4-T7-B4-Rm1-P5-L0	60°-7T-129w-500CL-P120-0L-MAG	G00002-α5-T7-B4-Rm1-P5-L0	75°-7T-129w-500CL-P120-0L-MAG	G00002-α6-T7-B4-Rm1-P5-L0	90°-7T-129w-500CL-P120-0L-MAG
G00002-α4-T8-B4-Rm1-P5-L0	60°-8T-129w-500CL-P120-0L-MAG	G00002-α5-T8-B4-Rm1-P5-L0	75°-8T-129w-500CL-P120-0L-MAG	G00002-α6-T8-B4-Rm1-P5-L0	90°-8T-129w-500CL-P120-0L-MAG

NON STANDARD SIZES ARE AVAILABLE ON REQUEST.
STANDARD ORDER QTY: PER SET



SINGLE TRACK - G00002-a6-T1-B4-Rm2-P0-L1

TRACKS	W
1	129
2	246
3	363
4	480
5	597
6	714
7	831
8	948

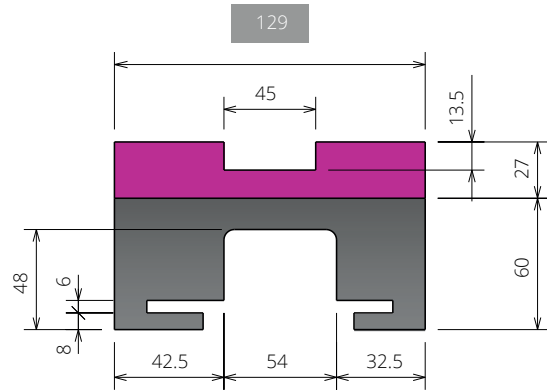
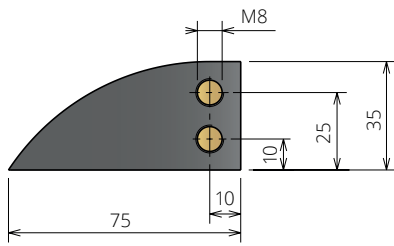
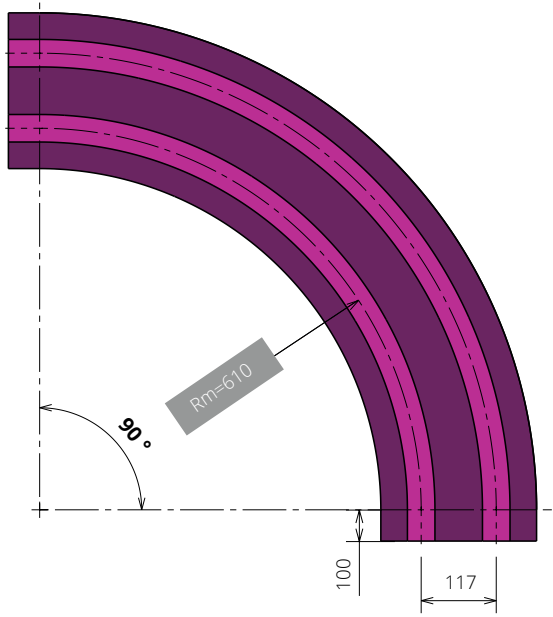


MULTI TRACK - G00002-a6-T2-B4-Rm2-P4-L1

Rm = 610mm - MULTI TRACK - 50mm LEAD IN / LEAD OUT

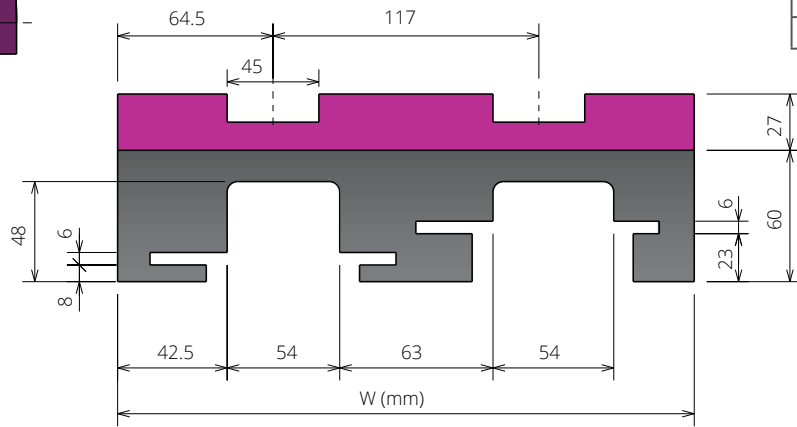
$\alpha 15^\circ$		$\alpha 30^\circ$		$\alpha 45^\circ$	
CODE	DESCRIPTION	CODE	DESCRIPTION	CODE	DESCRIPTION
G00002-a1-T1-B4-Rm2-P0-L1	15°-1T-129w-610CL-50L-MAG	G00002-a2-T1-B4-Rm2-P0-L1	30°-1T-129w-610CL-50L-MAG	G00002-a3-T1-B4-Rm2-P0-L1	45°-1T-129w-610CL-50L-MAG
G00002-a1-T2-B4-Rm2-P4-L1	15°-2T-129w-610CL-P117-50L-MAG	G00002-a2-T2-B4-Rm2-P4-L1	30°-2T-129w-610CL-P117-50L-MAG	G00002-a3-T2-B4-Rm2-P4-L1	45°-2T-129w-610CL-P117-50L-MAG
G00002-a1-T3-B4-Rm2-P4-L1	15°-3T-129w-610CL-P117-50L-MAG	G00002-a2-T3-B4-Rm2-P4-L1	30°-3T-129w-610CL-P117-50L-MAG	G00002-a3-T3-B4-Rm2-P4-L1	45°-3T-129w-610CL-P117-50L-MAG
G00002-a1-T4-B4-Rm2-P4-L1	15°-4T-129w-610CL-P117-50L-MAG	G00002-a2-T4-B4-Rm2-P4-L1	30°-4T-129w-610CL-P117-50L-MAG	G00002-a3-T4-B4-Rm2-P4-L1	45°-4T-129w-610CL-P117-50L-MAG
G00002-a1-T5-B4-Rm2-P4-L1	15°-5T-129w-610CL-P117-50L-MAG	G00002-a2-T5-B4-Rm2-P4-L1	30°-5T-129w-610CL-P117-50L-MAG	G00002-a3-T5-B4-Rm2-P4-L1	45°-5T-129w-610CL-P117-50L-MAG
G00002-a1-T6-B4-Rm2-P4-L1	15°-6T-129w-610CL-P117-50L-MAG	G00001-a2-T6-B4-Rm2-P4-L1	30°-6T-129w-610CL-P117-50L-MAG	G00002-a3-T6-B4-Rm2-P4-L1	45°-6T-129w-610CL-P117-50L-MAG
G00002-a1-T7-B4-Rm2-P4-L1	15°-7T-129w-610CL-P117-50L-MAG	G00002-a2-T7-B4-Rm2-P4-L1	30°-7T-129w-610CL-P117-50L-MAG	G00002-a3-T7-B4-Rm2-P4-L1	45°-7T-129w-610CL-P117-50L-MAG
G00002-a1-T8-B4-Rm2-P4-L1	15°-8T-129w-610CL-P117-50L-MAG	G00002-a2-T8-B4-Rm2-P4-L1	30°-8T-129w-610CL-P117-50L-MAG	G00002-a3-T8-B4-Rm2-P4-L1	45°-8T-129w-610CL-P117-50L-MAG
$\alpha 60^\circ$		$\alpha 75^\circ$		$\alpha 90^\circ$	
CODE	DESCRIPTION	CODE	DESCRIPTION	CODE	DESCRIPTION
G00002-a4-T1-B4-Rm2-P0-L1	60°-1T-129w-610CL-50L-MAG	G00002-a5-T1-B4-Rm2-P0-L1	75°-1T-129w-610CL-50L-MAG	G00002-a6-T1-B4-Rm2-P0-L1	90°-1T-129w-610CL-50L-MAG
G00002-a4-T2-B4-Rm2-P4-L1	60°-2T-129w-610CL-P117-50L-MAG	G00002-a5-T2-B4-Rm2-P4-L1	75°-2T-129w-610CL-P117-50L-MAG	G00002-a6-T2-B4-Rm2-P4-L1	90°-2T-129w-610CL-P117-50L-MAG
G00002-a4-T3-B4-Rm2-P4-L1	60°-3T-129w-610CL-P117-50L-MAG	G00002-a5-T3-B4-Rm2-P4-L1	75°-3T-129w-610CL-P117-50L-MAG	G00002-a6-T3-B4-Rm2-P4-L1	90°-3T-129w-610CL-P117-50L-MAG
G00002-a4-T4-B4-Rm2-P4-L1	60°-4T-129w-610CL-P117-50L-MAG	G00002-a5-T4-B4-Rm2-P4-L1	75°-4T-129w-610CL-P117-50L-MAG	G00002-a6-T4-B4-Rm2-P4-L1	90°-4T-129w-610CL-P117-50L-MAG
G00002-a4-T5-B4-Rm2-P4-L1	60°-5T-129w-610CL-P117-50L-MAG	G00002-a5-T5-B4-Rm2-P4-L1	75°-5T-129w-610CL-P117-50L-MAG	G00002-a6-T5-B4-Rm2-P4-L1	90°-5T-129w-610CL-P117-50L-MAG
G00002-a4-T6-B4-Rm2-P4-L1	60°-6T-129w-610CL-P117-50L-MAG	G00002-a5-T6-B4-Rm2-P4-L1	75°-6T-129w-610CL-P117-50L-MAG	G00002-a6-T6-B4-Rm2-P4-L1	90°-6T-129w-610CL-P117-50L-MAG
G00002-a4-T7-B4-Rm2-P4-L1	60°-7T-129w-610CL-P117-50L-MAG	G00002-a5-T7-B4-Rm2-P4-L1	75°-7T-129w-610CL-P117-50L-MAG	G00002-a6-T7-B4-Rm2-P4-L1	90°-7T-129w-610CL-P117-50L-MAG
G00002-a4-T8-B4-Rm2-P4-L1	60°-8T-129w-610CL-P117-50L-MAG	G00002-a5-T8-B4-Rm2-P4-L1	75°-8T-129w-610CL-P117-50L-MAG	G00002-a6-T8-B4-Rm2-P4-L1	90°-8T-129w-610CL-P117-50L-MAG

NON STANDARD SIZES ARE AVAILABLE ON REQUEST.
STANDARD ORDER QTY: PER SET



SINGLE TRACK - G00002-a6-T1-B4-Rm2-P0-L2

TRACKS	W
1	129
2	246
3	363
4	480
5	597
6	714
7	831
8	948

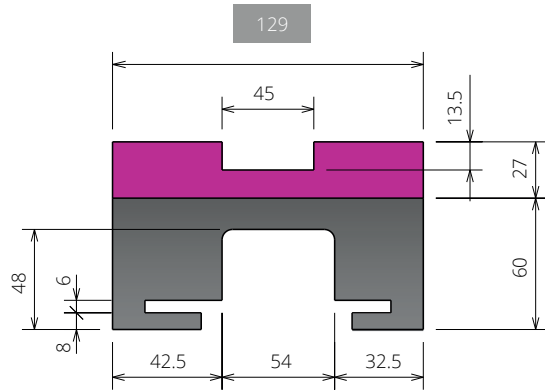
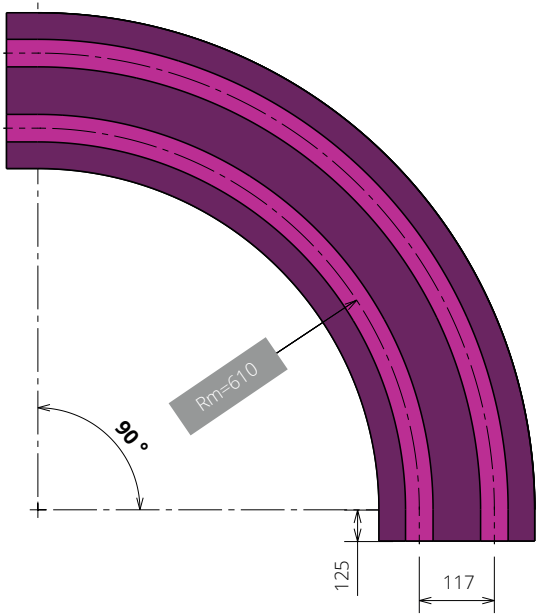


MULTI TRACK - G00002-a6-T2-B4-Rm2-P4-L2

Rm = 610mm - MULTI TRACK - 100mm LEAD IN / LEAD OUT

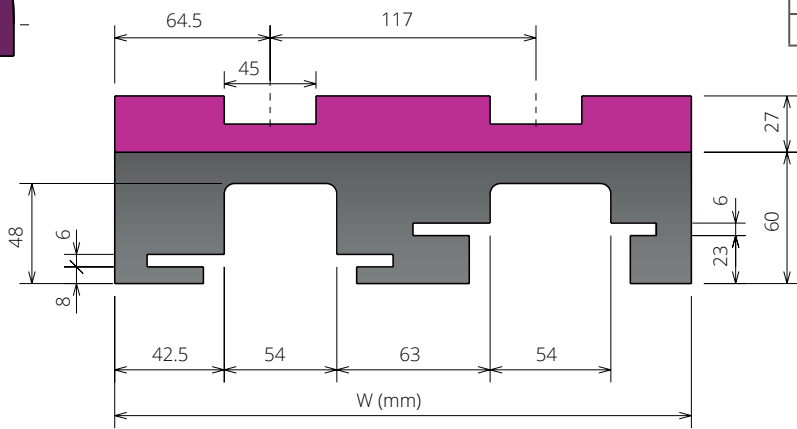
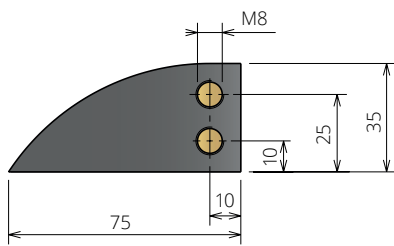
α 15°		α 30°		α 45°	
CODE	DESCRIPTION	CODE	DESCRIPTION	CODE	DESCRIPTION
G00002-a1-T1-B4-Rm2-P0-L2	15°-1T-129w-610CL-100L-MAG	G00002-a2-T1-B4-Rm2-P0-L2	30°-1T-129w-610CL-100L-MAG	G00002-a3-T1-B4-Rm2-P0-L2	45°-1T-129w-610CL-100L-MAG
G00002-a1-T2-B4-Rm2-P4-L2	15°-2T-129w-610CL-P117-100L-MAG	G00002-a2-T2-B4-Rm2-P4-L2	30°-2T-129w-610CL-P117-100L-MAG	G00002-a3-T2-B4-Rm2-P4-L2	45°-2T-129w-610CL-P117-100L-MAG
G00002-a1-T3-B4-Rm2-P4-L2	15°-3T-129w-610CL-P117-100L-MAG	G00002-a2-T3-B4-Rm2-P4-L2	30°-3T-129w-610CL-P117-100L-MAG	G00002-a3-T3-B4-Rm2-P4-L2	45°-3T-129w-610CL-P117-100L-MAG
G00002-a1-T4-B4-Rm2-P4-L2	15°-4T-129w-610CL-P117-100L-MAG	G00002-a2-T4-B4-Rm2-P4-L2	30°-4T-129w-610CL-P117-100L-MAG	G00002-a3-T4-B4-Rm2-P4-L2	45°-4T-129w-610CL-P117-100L-MAG
G00002-a1-T5-B4-Rm2-P4-L2	15°-5T-129w-610CL-P117-100L-MAG	G00002-a2-T5-B4-Rm2-P4-L2	30°-5T-129w-610CL-P117-100L-MAG	G00002-a3-T5-B4-Rm2-P4-L2	45°-5T-129w-610CL-P117-100L-MAG
G00002-a1-T6-B4-Rm2-P4-L2	15°-6T-129w-610CL-P117-100L-MAG	G00001-a2-T6-B4-Rm2-P4-L2	30°-6T-129w-610CL-P117-100L-MAG	G00002-a3-T6-B4-Rm2-P4-L2	45°-6T-129w-610CL-P117-100L-MAG
G00002-a1-T7-B4-Rm2-P4-L2	15°-7T-129w-610CL-P117-100L-MAG	G00002-a2-T7-B4-Rm2-P4-L2	30°-7T-129w-610CL-P117-100L-MAG	G00002-a3-T7-B4-Rm2-P4-L2	45°-7T-129w-610CL-P117-100L-MAG
G00002-a1-T8-B4-Rm2-P4-L2	15°-8T-129w-610CL-P117-100L-MAG	G00002-a2-T8-B4-Rm2-P4-L2	30°-8T-129w-610CL-P117-100L-MAG	G00002-a3-T8-B4-Rm2-P4-L2	45°-8T-129w-610CL-P117-100L-MAG
α 60°		α 75°		α 90°	
CODE	DESCRIPTION	CODE	DESCRIPTION	CODE	DESCRIPTION
G00002-a4-T1-B4-Rm2-P0-L2	60°-1T-129w-610CL-100L-MAG	G00002-a5-T1-B4-Rm2-P0-L2	75°-1T-129w-610CL-100L-MAG	G00002-a6-T1-B4-Rm2-P0-L2	90°-1T-129w-610CL-100L-MAG
G00002-a4-T2-B4-Rm2-P4-L2	60°-2T-129w-610CL-P117-100L-MAG	G00002-a5-T2-B4-Rm2-P4-L2	75°-2T-129w-610CL-P117-100L-MAG	G00002-a6-T2-B4-Rm2-P4-L2	90°-2T-129w-610CL-P117-100L-MAG
G00002-a4-T3-B4-Rm2-P4-L2	60°-3T-129w-610CL-P117-100L-MAG	G00002-a5-T3-B4-Rm2-P4-L2	75°-3T-129w-610CL-P117-100L-MAG	G00002-a6-T3-B4-Rm2-P4-L2	90°-3T-129w-610CL-P117-100L-MAG
G00002-a4-T4-B4-Rm2-P4-L2	60°-4T-129w-610CL-P117-100L-MAG	G00002-a5-T4-B4-Rm2-P4-L2	75°-4T-129w-610CL-P117-100L-MAG	G00002-a6-T4-B4-Rm2-P4-L2	90°-4T-129w-610CL-P117-100L-MAG
G00002-a4-T5-B4-Rm2-P4-L2	60°-5T-129w-610CL-P117-100L-MAG	G00002-a5-T5-B4-Rm2-P4-L2	75°-5T-129w-610CL-P117-100L-MAG	G00002-a6-T5-B4-Rm2-P4-L2	90°-5T-129w-610CL-P117-100L-MAG
G00002-a4-T6-B4-Rm2-P4-L2	60°-6T-129w-610CL-P117-100L-MAG	G00002-a5-T6-B4-Rm2-P4-L2	75°-6T-129w-610CL-P117-100L-MAG	G00002-a6-T6-B4-Rm2-P4-L2	90°-6T-129w-610CL-P117-100L-MAG
G00002-a4-T7-B4-Rm2-P4-L2	60°-7T-129w-610CL-P117-100L-MAG	G00002-a5-T7-B4-Rm2-P4-L2	75°-7T-129w-610CL-P117-100L-MAG	G00002-a6-T7-B4-Rm2-P4-L2	90°-7T-129w-610CL-P117-100L-MAG
G00002-a4-T8-B4-Rm2-P4-L2	60°-8T-129w-610CL-P117-100L-MAG	G00002-a5-T8-B4-Rm2-P4-L2	75°-8T-129w-610CL-P117-100L-MAG	G00002-a6-T8-B4-Rm2-P4-L2	90°-8T-129w-610CL-P117-100L-MAG

NON STANDARD SIZES ARE AVAILABLE ON REQUEST.
STANDARD ORDER QTY: PER SET



SINGLE TRACK - G00002-α6-T1-B4-Rm2-P0-L3

TRACKS	W
1	129
2	246
3	363
4	480
5	597
6	714
7	831
8	948

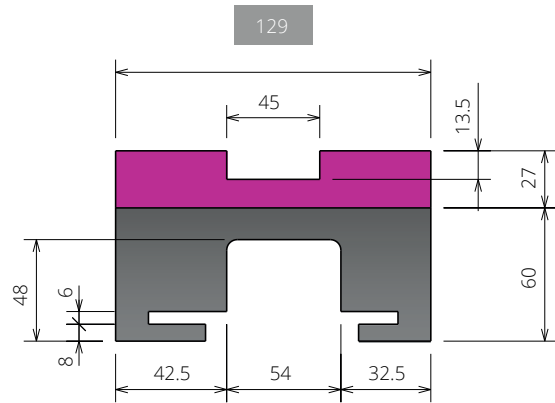
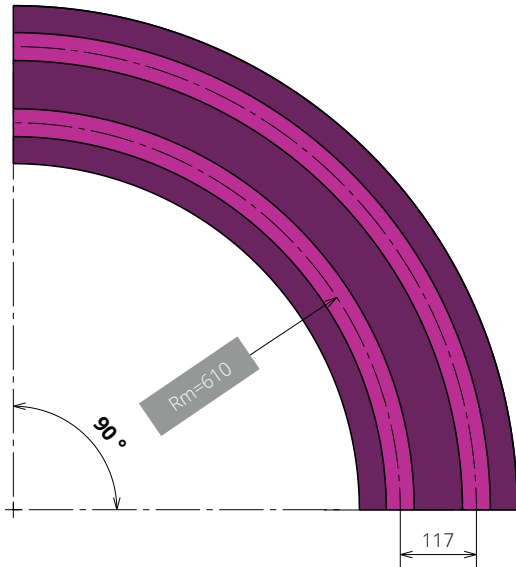


MULTI TRACK - G00002-α6-T2-B4-Rm2-P4-L3

Rm = 610mm - MULTI TRACK - 125mm LEAD IN / LEAD OUT

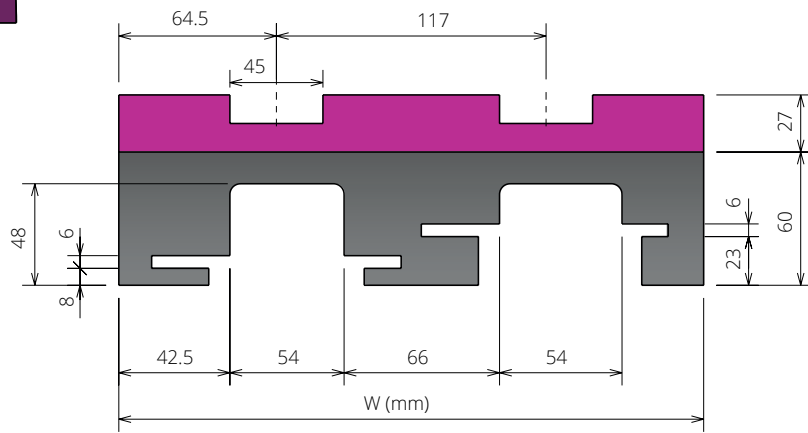
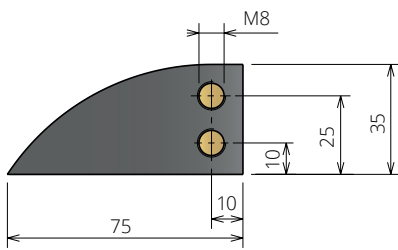
α 15°		α 30°		α 45°	
CODE	DESCRIPTION	CODE	DESCRIPTION	CODE	DESCRIPTION
G00002-a1-T1-B4-Rm2-P0-L3	15°-1T-129w-610CL-125L-MAG	G00002-a2-T1-B4-Rm2-P0-L3	30°-1T-129w-610CL-125L-MAG	G00002-a3-T1-B4-Rm2-P0-L3	45°-1T-129w-610CL-125L-MAG
G00002-a1-T2-B4-Rm2-P4-L3	15°-2T-129w-610CL-P117-125L-MAG	G00002-a2-T2-B4-Rm2-P4-L3	30°-2T-129w-610CL-P117-125L-MAG	G00002-a3-T2-B4-Rm2-P4-L3	45°-2T-129w-610CL-P117-125L-MAG
G00002-a1-T3-B4-Rm2-P4-L3	15°-3T-129w-610CL-P117-125L-MAG	G00002-a2-T3-B4-Rm2-P4-L3	30°-3T-129w-610CL-P117-125L-MAG	G00002-a3-T3-B4-Rm2-P4-L3	45°-3T-129w-610CL-P117-125L-MAG
G00002-a1-T4-B4-Rm2-P4-L3	15°-4T-129w-610CL-P117-125L-MAG	G00002-a2-T4-B4-Rm2-P4-L3	30°-4T-129w-610CL-P117-125L-MAG	G00002-a3-T4-B4-Rm2-P4-L3	45°-4T-129w-610CL-P117-125L-MAG
G00002-a1-T5-B4-Rm2-P4-L3	15°-5T-129w-610CL-P117-125L-MAG	G00002-a2-T5-B4-Rm2-P4-L3	30°-5T-129w-610CL-P117-125L-MAG	G00002-a3-T5-B4-Rm2-P4-L3	45°-5T-129w-610CL-P117-125L-MAG
G00002-a1-T6-B4-Rm2-P4-L3	15°-6T-129w-610CL-P117-125L-MAG	G00001-a2-T6-B4-Rm2-P4-L3	30°-6T-129w-610CL-P117-125L-MAG	G00002-a3-T6-B4-Rm2-P4-L3	45°-6T-129w-610CL-P117-125L-MAG
G00002-a1-T7-B4-Rm2-P4-L3	15°-7T-129w-610CL-P117-125L-MAG	G00002-a2-T7-B4-Rm2-P4-L3	30°-7T-129w-610CL-P117-125L-MAG	G00002-a3-T7-B4-Rm2-P4-L3	45°-7T-129w-610CL-P117-125L-MAG
G00002-a1-T8-B4-Rm2-P4-L3	15°-8T-129w-610CL-P117-125L-MAG	G00002-a2-T8-B4-Rm2-P4-L3	30°-8T-129w-610CL-P117-125L-MAG	G00002-a3-T8-B4-Rm2-P4-L3	45°-8T-129w-610CL-P117-125L-MAG
α 60°		α 75°		α 90°	
CODE	DESCRIPTION	CODE	DESCRIPTION	CODE	DESCRIPTION
G00002-a4-T1-B4-Rm2-P0-L3	60°-1T-129w-610CL-125L-MAG	002-a5-T1-B4-Rm2-P0-L3	75°-1T-129w-610CL-125L-MAG	G00002-a6-T1-B4-Rm2-P0-L3	90°-1T-129w-610CL-125L-MAG
G00002-a4-T2-B4-Rm2-P4-L3	60°-2T-129w-610CL-P117-125L-MAG	G00002-a5-T2-B4-Rm2-P4-L3	75°-2T-129w-610CL-P117-125L-MAG	G00002-a6-T2-B4-Rm2-P4-L3	90°-2T-129w-610CL-P117-125L-MAG
G00002-a4-T3-B4-Rm2-P4-L3	60°-3T-129w-610CL-P117-125L-MAG	G00002-a5-T3-B4-Rm2-P4-L3	75°-3T-129w-610CL-P117-125L-MAG	G00002-a6-T3-B4-Rm2-P4-L3	90°-3T-129w-610CL-P117-125L-MAG
G00002-a4-T4-B4-Rm2-P4-L3	60°-4T-129w-610CL-P117-125L-MAG	G00002-a5-T4-B4-Rm2-P4-L3	75°-4T-129w-610CL-P117-125L-MAG	G00002-a6-T4-B4-Rm2-P4-L3	90°-4T-129w-610CL-P117-125L-MAG
G00002-a4-T5-B4-Rm2-P4-L3	60°-5T-129w-610CL-P117-125L-MAG	G00002-a5-T5-B4-Rm2-P4-L3	75°-5T-129w-610CL-P117-125L-MAG	G00002-a6-T5-B4-Rm2-P4-L3	90°-5T-129w-610CL-P117-125L-MAG
G00002-a4-T6-B4-Rm2-P4-L3	60°-6T-129w-610CL-P117-125L-MAG	G00002-a5-T6-B4-Rm2-P4-L3	75°-6T-129w-610CL-P117-125L-MAG	G00002-a6-T6-B4-Rm2-P4-L3	90°-6T-129w-610CL-P117-125L-MAG
G00002-a4-T7-B4-Rm2-P4-L3	60°-7T-129w-610CL-P117-125L-MAG	G00002-a5-T7-B4-Rm2-P4-L3	75°-7T-129w-610CL-P117-125L-MAG	G00002-a6-T7-B4-Rm2-P4-L3	90°-7T-129w-610CL-P117-125L-MAG
G00002-a4-T8-B4-Rm2-P4-L3	60°-8T-129w-610CL-P117-125L-MAG	G00002-a5-T8-B4-Rm2-P4-L3	75°-8T-129w-610CL-P117-125L-MAG	G00002-a6-T8-B4-Rm2-P4-L3	90°-8T-129w-610CL-P117-125L-MAG

NON STANDARD SIZES ARE AVAILABLE ON REQUEST.
STANDARD ORDER QTY: PER SET



SINGLE TRACK - G00002-a6-T1-B4-Rm2-P0-L0

TRACKS	W
1	129
2	246
3	363
4	480
5	597
6	714
7	831
8	948

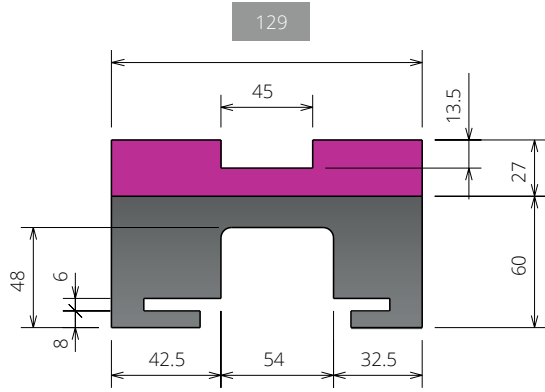
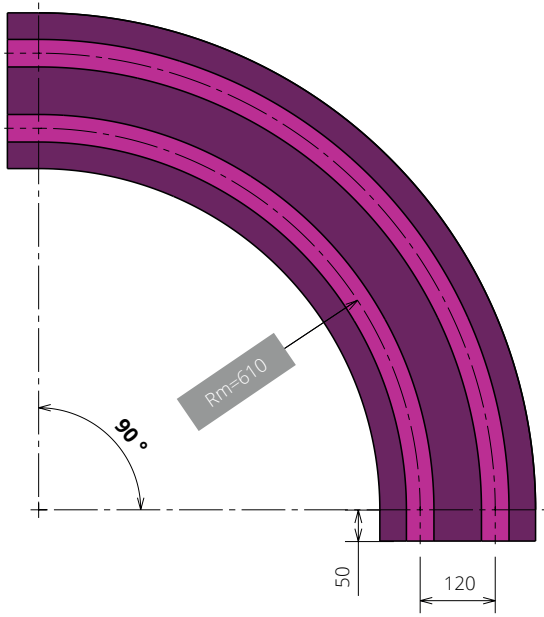


MULTI TRACK - G00002-a6-T2-B4-Rm2-P4-L0

Rm = 610mm - MULTI TRACK - NO LEAD IN / LEAD OUT

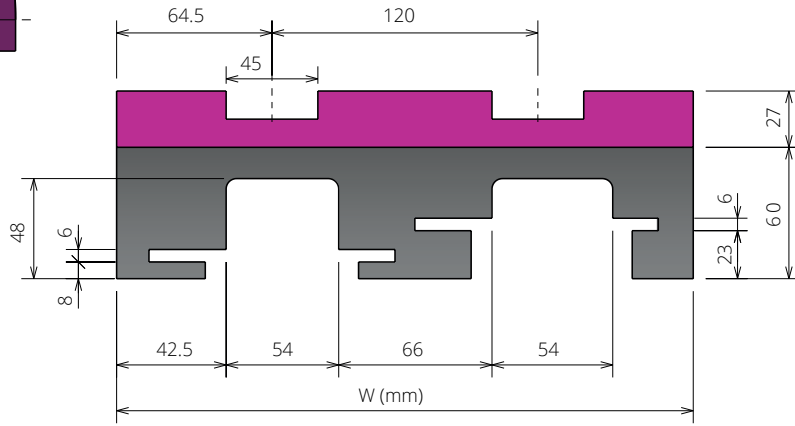
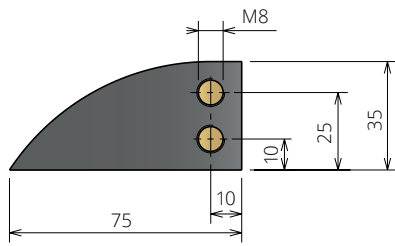
$\alpha 15^\circ$		$\alpha 30^\circ$		$\alpha 45^\circ$	
CODE	DESCRIPTION	CODE	DESCRIPTION	CODE	DESCRIPTION
G00002-a1-T1-B4-Rm2-P0-L0	15°-1T-129w-610CL-0L-MAG	G00002-a2-T1-B4-Rm2-P0-L0	30°-1T-129w-610CL-0L-MAG	G00002-a3-T1-B4-Rm2-P0-L0	45°-1T-129w-610CL-0L-MAG
G00002-a1-T2-B4-Rm2-P4-L0	15°-2T-129w-610CL-P117-0L-MAG	G00002-a2-T2-B4-Rm2-P4-L0	30°-2T-129w-610CL-P117-0L-MAG	G00002-a3-T2-B4-Rm2-P4-L0	45°-2T-129w-610CL-P117-0L-MAG
G00002-a1-T3-B4-Rm2-P4-L0	15°-3T-129w-610CL-P117-0L-MAG	G00002-a2-T3-B4-Rm2-P4-L0	30°-3T-129w-610CL-P117-0L-MAG	G00002-a3-T3-B4-Rm2-P4-L0	45°-3T-129w-610CL-P117-0L-MAG
G00002-a1-T4-B4-Rm2-P4-L0	15°-4T-129w-610CL-P117-0L-MAG	G00002-a2-T4-B4-Rm2-P4-L0	30°-4T-129w-610CL-P117-0L-MAG	G00002-a3-T4-B4-Rm2-P4-L0	45°-4T-129w-610CL-P117-0L-MAG
G00002-a1-T5-B4-Rm2-P4-L0	15°-5T-129w-610CL-P117-0L-MAG	G00002-a2-T5-B4-Rm2-P4-L0	30°-5T-129w-610CL-P117-0L-MAG	G00002-a3-T5-B4-Rm2-P4-L0	45°-5T-129w-610CL-P117-0L-MAG
G00002-a1-T6-B4-Rm2-P4-L0	15°-6T-129w-610CL-P117-0L-MAG	G00001-a2-T6-B4-Rm2-P4-L0	30°-6T-129w-610CL-P117-0L-MAG	G00002-a3-T6-B4-Rm2-P4-L0	45°-6T-129w-610CL-P117-0L-MAG
G00002-a1-T7-B4-Rm2-P4-L0	15°-7T-129w-610CL-P117-0L-MAG	G00002-a2-T7-B4-Rm2-P4-L0	30°-7T-129w-610CL-P117-0L-MAG	G00002-a3-T7-B4-Rm2-P4-L0	45°-7T-129w-610CL-P117-0L-MAG
G00002-a1-T8-B4-Rm2-P4-L0	15°-8T-129w-610CL-P117-0L-MAG	G00002-a2-T8-B4-Rm2-P4-L0	30°-8T-129w-610CL-P117-0L-MAG	G00002-a3-T8-B4-Rm2-P4-L0	45°-8T-129w-610CL-P117-0L-MAG
$\alpha 60^\circ$		$\alpha 75^\circ$		$\alpha 90^\circ$	
CODE	DESCRIPTION	CODE	DESCRIPTION	CODE	DESCRIPTION
G00002-a4-T1-B4-Rm2-P0-L0	60°-1T-129w-610CL-0L-MAG	G00002-a5-T1-B4-Rm2-P0-L0	75°-1T-129w-610CL-0L-MAG	G00002-a6-T1-B4-Rm2-P0-L0	90°-1T-129w-610CL-0L-MAG
G00002-a4-T2-B4-Rm2-P4-L0	60°-2T-129w-610CL-P117-0L-MAG	G00002-a5-T2-B4-Rm2-P4-L0	75°-2T-129w-610CL-P117-0L-MAG	G00002-a6-T2-B4-Rm2-P4-L0	90°-2T-129w-610CL-P117-0L-MAG
G00002-a4-T3-B4-Rm2-P4-L0	60°-3T-129w-610CL-P117-0L-MAG	G00002-a5-T3-B4-Rm2-P4-L0	75°-3T-129w-610CL-P117-0L-MAG	G00002-a6-T3-B4-Rm2-P4-L0	90°-3T-129w-610CL-P117-0L-MAG
G00002-a4-T4-B4-Rm2-P4-L0	60°-4T-129w-610CL-P117-0L-MAG	G00002-a5-T4-B4-Rm2-P4-L0	75°-4T-129w-610CL-P117-0L-MAG	G00002-a6-T4-B4-Rm2-P4-L0	90°-4T-129w-610CL-P117-0L-MAG
G00002-a4-T5-B4-Rm2-P4-L0	60°-5T-129w-610CL-P117-0L-MAG	G00002-a5-T5-B4-Rm2-P4-L0	75°-5T-129w-610CL-P117-0L-MAG	G00002-a6-T5-B4-Rm2-P4-L0	90°-5T-129w-610CL-P117-0L-MAG
G00002-a4-T6-B4-Rm2-P4-L0	60°-6T-129w-610CL-P117-0L-MAG	G00002-a5-T6-B4-Rm2-P4-L0	75°-6T-129w-610CL-P117-0L-MAG	G00002-a6-T6-B4-Rm2-P4-L0	90°-6T-129w-610CL-P117-0L-MAG
G00002-a4-T7-B4-Rm2-P4-L0	60°-7T-129w-610CL-P117-0L-MAG	G00002-a5-T7-B4-Rm2-P4-L0	75°-7T-129w-610CL-P117-0L-MAG	G00002-a6-T7-B4-Rm2-P4-L0	90°-7T-129w-610CL-P117-0L-MAG
G00002-a4-T8-B4-Rm2-P4-L0	60°-8T-129w-610CL-P117-0L-MAG	G00002-a5-T8-B4-Rm2-P4-L0	75°-8T-129w-610CL-P117-0L-MAG	G00002-a6-T8-B4-Rm2-P4-L0	90°-8T-129w-610CL-P117-0L-MAG

NON STANDARD SIZES ARE AVAILABLE ON REQUEST.
STANDARD ORDER QTY: PER SET



SINGLE TRACK - G00002-a6-T1-B4-Rm2-P0-L1

TRACKS	W
1	129
2	249
3	369
4	489
5	609
6	729
7	849
8	969

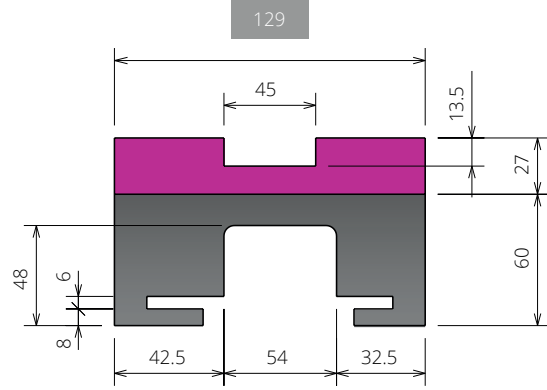
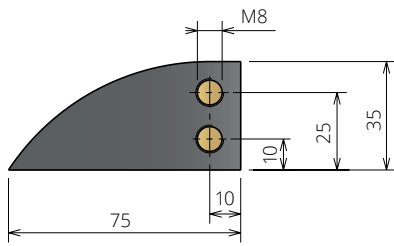
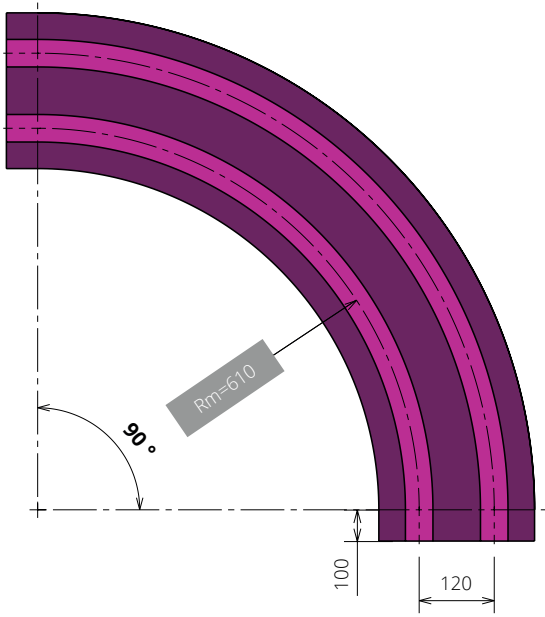


MULTI TRACK - G00002-a6-T2-B4-Rm2-P5-L1

Rm = 610mm - MULTI TRACK - 50mm LEAD IN / LEAD OUT

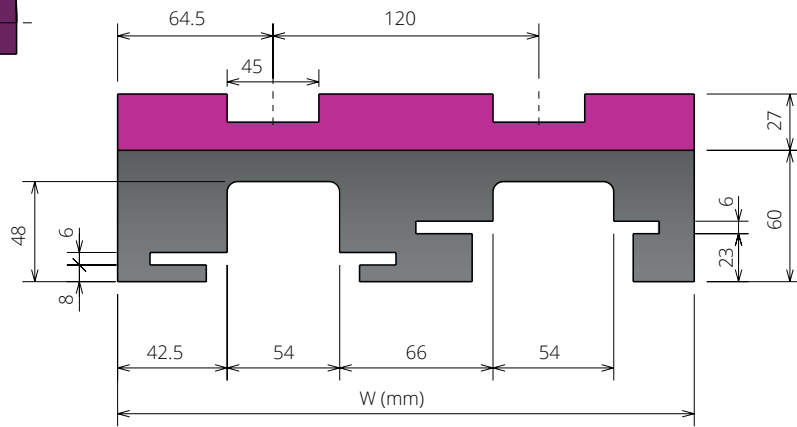
α 15°		α 30°		α 45°	
CODE	DESCRIPTION	CODE	DESCRIPTION	CODE	DESCRIPTION
G00002-a1-T1-B4-Rm2-P0-L1	15°-1T-129w-610CL-50L-MAG	G00002-a2-T1-B4-Rm2-P0-L1	30°-1T-129w-610CL-50L-MAG	G00002-a3-T1-B4-Rm2-P0-L1	45°-1T-129w-610CL-50L-MAG
G00002-a1-T2-B4-Rm2-P5-L1	15°-2T-129w-610CL-P120-50L-MAG	G00002-a2-T2-B4-Rm2-P5-L1	30°-2T-129w-610CL-P120-50L-MAG	G00002-a3-T2-B4-Rm2-P5-L1	45°-2T-129w-610CL-P120-50L-MAG
G00002-a1-T3-B4-Rm2-P5-L1	15°-3T-129w-610CL-P120-50L-MAG	G00002-a2-T3-B4-Rm2-P5-L1	30°-3T-129w-610CL-P120-50L-MAG	G00002-a3-T3-B4-Rm2-P5-L1	45°-3T-129w-610CL-P120-50L-MAG
G00002-a1-T4-B4-Rm2-P5-L1	15°-4T-129w-610CL-P120-50L-MAG	G00002-a2-T4-B4-Rm2-P5-L1	30°-4T-129w-610CL-P120-50L-MAG	G00002-a3-T4-B4-Rm2-P5-L1	45°-4T-129w-610CL-P120-50L-MAG
G00002-a1-T5-B4-Rm2-P5-L1	15°-5T-129w-610CL-P120-50L-MAG	G00002-a2-T5-B4-Rm2-P5-L1	30°-5T-129w-610CL-P120-50L-MAG	G00002-a3-T5-B4-Rm2-P5-L1	45°-5T-129w-610CL-P120-50L-MAG
G00002-a1-T6-B4-Rm2-P5-L1	15°-6T-129w-610CL-P120-50L-MAG	G00001-a2-T6-B4-Rm2-P5-L1	30°-6T-129w-610CL-P120-50L-MAG	G00002-a3-T6-B4-Rm2-P5-L1	45°-6T-129w-610CL-P120-50L-MAG
G00002-a1-T7-B4-Rm2-P5-L1	15°-7T-129w-610CL-P120-50L-MAG	G00002-a2-T7-B4-Rm2-P5-L1	30°-7T-129w-610CL-P120-50L-MAG	G00002-a3-T7-B4-Rm2-P5-L1	45°-7T-129w-610CL-P120-50L-MAG
G00002-a1-T8-B4-Rm2-P5-L1	15°-8T-129w-610CL-P120-50L-MAG	G00002-a2-T8-B4-Rm2-P5-L1	30°-8T-129w-610CL-P120-50L-MAG	G00002-a3-T8-B4-Rm2-P5-L1	45°-8T-129w-610CL-P120-50L-MAG
α 60°		α 75°		α 90°	
CODE	DESCRIPTION	CODE	DESCRIPTION	CODE	DESCRIPTION
G00002-a4-T1-B4-Rm2-P0-L1	60°-1T-129w-610CL-50L-MAG	G00002-a5-T1-B4-Rm2-P0-L1	75°-1T-129w-610CL-50L-MAG	G00002-a6-T1-B4-Rm2-P0-L1	90°-1T-129w-610CL-50L-MAG
G00002-a4-T2-B4-Rm2-P5-L1	60°-2T-129w-610CL-P120-50L-MAG	G00002-a5-T2-B4-Rm2-P5-L1	75°-2T-129w-610CL-P120-50L-MAG	G00002-a6-T2-B4-Rm2-P5-L1	90°-2T-129w-610CL-P120-50L-MAG
G00002-a4-T3-B4-Rm2-P5-L1	60°-3T-129w-610CL-P120-50L-MAG	G00002-a5-T3-B4-Rm2-P5-L1	75°-3T-129w-610CL-P120-50L-MAG	G00002-a6-T3-B4-Rm2-P5-L1	90°-3T-129w-610CL-P120-50L-MAG
G00002-a4-T4-B4-Rm2-P5-L1	60°-4T-129w-610CL-P120-50L-MAG	G00002-a5-T4-B4-Rm2-P5-L1	75°-4T-129w-610CL-P120-50L-MAG	G00002-a6-T4-B4-Rm2-P5-L1	90°-4T-129w-610CL-P120-50L-MAG
G00002-a4-T5-B4-Rm2-P5-L1	60°-5T-129w-610CL-P120-50L-MAG	G00002-a5-T5-B4-Rm2-P5-L1	75°-5T-129w-610CL-P120-50L-MAG	G00002-a6-T5-B4-Rm2-P5-L1	90°-5T-129w-610CL-P120-50L-MAG
G00002-a4-T6-B4-Rm2-P5-L1	60°-6T-129w-610CL-P120-50L-MAG	G00002-a5-T6-B4-Rm2-P5-L1	75°-6T-129w-610CL-P120-50L-MAG	G00002-a6-T6-B4-Rm2-P5-L1	90°-6T-129w-610CL-P120-50L-MAG
G00002-a4-T7-B4-Rm2-P5-L1	60°-7T-129w-610CL-P120-50L-MAG	G00002-a5-T7-B4-Rm2-P5-L1	75°-7T-129w-610CL-P120-50L-MAG	G00002-a6-T7-B4-Rm2-P5-L1	90°-7T-129w-610CL-P120-50L-MAG
G00002-a4-T8-B4-Rm2-P5-L1	60°-8T-129w-610CL-P120-50L-MAG	G00002-a5-T8-B4-Rm2-P5-L1	75°-8T-129w-610CL-P120-50L-MAG	G00002-a6-T8-B4-Rm2-P5-L1	90°-8T-129w-610CL-P120-50L-MAG

NON STANDARD SIZES ARE AVAILABLE ON REQUEST.
STANDARD ORDER QTY: PER SET



SINGLE TRACK - G00002-a6-T1-B4-Rm2-P0-L2

TRACKS	W
1	129
2	249
3	369
4	489
5	609
6	729
7	849
8	969

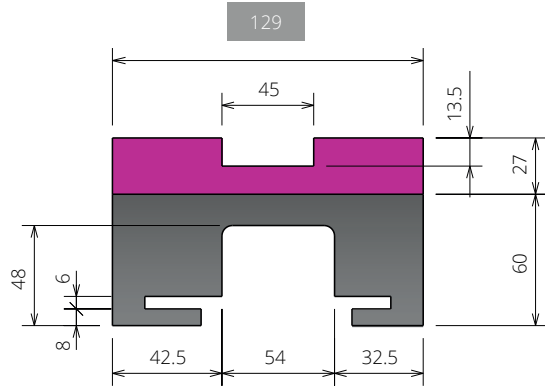
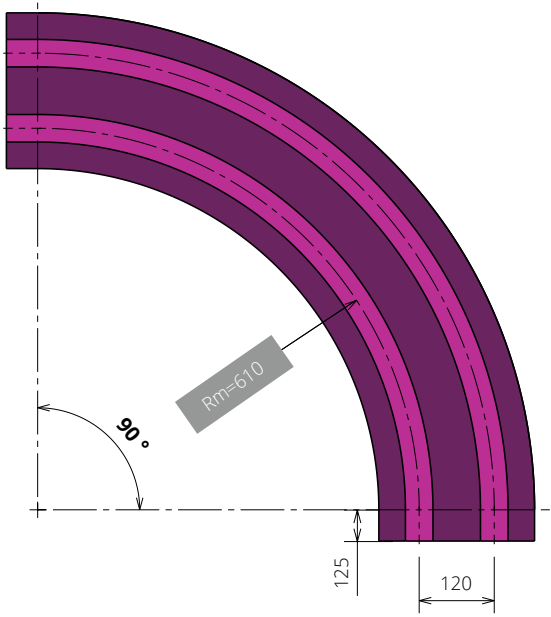


MULTI TRACK - G00002-a6-T2-B4-Rm2-P5-L2

Rm = 610mm - MULTI TRACK - 100mm LEAD IN / LEAD OUT

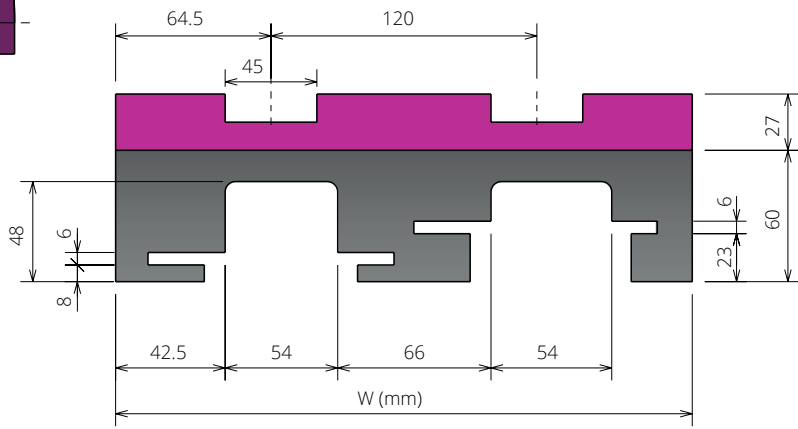
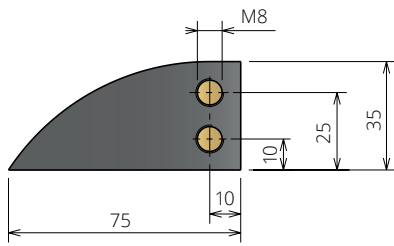
α 15°		α 30°		α 45°	
CODE	DESCRIPTION	CODE	DESCRIPTION	CODE	DESCRIPTION
G00002-a1-T1-B4-Rm2-P0-L2	15°-1T-129w-610CL-100L-MAG	G00002-a2-T1-B4-Rm2-P0-L2	30°-1T-129w-610CL-100L-MAG	G00002-a3-T1-B4-Rm2-P0-L2	45°-1T-129w-610CL-100L-MAG
G00002-a1-T2-B4-Rm2-P5-L2	15°-2T-129w-610CL-P120-100L-MAG	G00002-a2-T2-B4-Rm2-P5-L2	30°-2T-129w-610CL-P120-100L-MAG	G00002-a3-T2-B4-Rm2-P5-L2	45°-2T-129w-610CL-P120-100L-MAG
G00002-a1-T3-B4-Rm2-P5-L2	15°-3T-129w-610CL-P120-100L-MAG	G00002-a2-T3-B4-Rm2-P5-L2	30°-3T-129w-610CL-P120-100L-MAG	G00002-a3-T3-B4-Rm2-P5-L2	45°-3T-129w-610CL-P120-100L-MAG
G00002-a1-T4-B4-Rm2-P5-L2	15°-4T-129w-610CL-P120-100L-MAG	G00002-a2-T4-B4-Rm2-P5-L2	30°-4T-129w-610CL-P120-100L-MAG	G00002-a3-T4-B4-Rm2-P5-L2	45°-4T-129w-610CL-P120-100L-MAG
G00002-a1-T5-B4-Rm2-P5-L2	15°-5T-129w-610CL-P120-100L-MAG	G00002-a2-T5-B4-Rm2-P5-L2	30°-5T-129w-610CL-P120-100L-MAG	G00002-a3-T5-B4-Rm2-P5-L2	45°-5T-129w-610CL-P120-100L-MAG
G00002-a1-T6-B4-Rm2-P5-L2	15°-6T-129w-610CL-P120-100L-MAG	G00001-a2-T6-B4-Rm2-P5-L2	30°-6T-129w-610CL-P120-100L-MAG	G00002-a3-T6-B4-Rm2-P5-L2	45°-6T-129w-610CL-P120-100L-MAG
G00002-a1-T7-B4-Rm2-P5-L2	15°-7T-129w-610CL-P120-100L-MAG	G00002-a2-T7-B4-Rm2-P5-L2	30°-7T-129w-610CL-P120-100L-MAG	G00002-a3-T7-B4-Rm2-P5-L2	45°-7T-129w-610CL-P120-100L-MAG
G00002-a1-T8-B4-Rm2-P5-L2	15°-8T-129w-610CL-P120-100L-MAG	G00002-a2-T8-B4-Rm2-P5-L2	30°-8T-129w-610CL-P120-100L-MAG	G00002-a3-T8-B4-Rm2-P5-L2	45°-8T-129w-610CL-P120-100L-MAG
α 60°		α 75°		α 90°	
CODE	DESCRIPTION	CODE	DESCRIPTION	CODE	DESCRIPTION
G00002-a4-T1-B4-Rm2-P0-L2	60°-1T-129w-610CL-100L-MAG	G00002-a5-T1-B4-Rm2-P0-L2	75°-1T-129w-610CL-100L-MAG	G00002-a6-T1-B4-Rm2-P0-L2	90°-1T-129w-610CL-100L-MAG
G00002-a4-T2-B4-Rm2-P5-L2	60°-2T-129w-610CL-P120-100L-MAG	G00002-a5-T2-B4-Rm2-P5-L2	75°-2T-129w-610CL-P120-100L-MAG	G00002-a6-T2-B4-Rm2-P5-L2	90°-2T-129w-610CL-P120-100L-MAG
G00002-a4-T3-B4-Rm2-P5-L2	60°-3T-129w-610CL-P120-100L-MAG	G00002-a5-T3-B4-Rm2-P5-L2	75°-3T-129w-610CL-P120-100L-MAG	G00002-a6-T3-B4-Rm2-P5-L2	90°-3T-129w-610CL-P120-100L-MAG
G00002-a4-T4-B4-Rm2-P5-L2	60°-4T-129w-610CL-P120-100L-MAG	G00002-a5-T4-B4-Rm2-P5-L2	75°-4T-129w-610CL-P120-100L-MAG	G00002-a6-T4-B4-Rm2-P5-L2	90°-4T-129w-610CL-P120-100L-MAG
G00002-a4-T5-B4-Rm2-P5-L2	60°-5T-129w-610CL-P120-100L-MAG	G00002-a5-T5-B4-Rm2-P5-L2	75°-5T-129w-610CL-P120-100L-MAG	G00002-a6-T5-B4-Rm2-P5-L2	90°-5T-129w-610CL-P120-100L-MAG
G00002-a4-T6-B4-Rm2-P5-L2	60°-6T-129w-610CL-P120-100L-MAG	G00002-a5-T6-B4-Rm2-P5-L2	75°-6T-129w-610CL-P120-100L-MAG	G00002-a6-T6-B4-Rm2-P5-L2	90°-6T-129w-610CL-P120-100L-MAG
G00002-a4-T7-B4-Rm2-P5-L2	60°-7T-129w-610CL-P120-100L-MAG	G00002-a5-T7-B4-Rm2-P5-L2	75°-7T-129w-610CL-P120-100L-MAG	G00002-a6-T7-B4-Rm2-P5-L2	90°-7T-129w-610CL-P120-100L-MAG
G00002-a4-T8-B4-Rm2-P5-L2	60°-8T-129w-610CL-P120-100L-MAG	G00002-a5-T8-B4-Rm2-P5-L2	75°-8T-129w-610CL-P120-100L-MAG	G00002-a6-T8-B4-Rm2-P5-L2	90°-8T-129w-610CL-P120-100L-MAG

NON STANDARD SIZES ARE AVAILABLE ON REQUEST.
STANDARD ORDER QTY: PER SET



SINGLE TRACK - G00002-a6-T1-B4-Rm2-P0-L3

TRACKS	W
1	129
2	249
3	369
4	489
5	609
6	729
7	849
8	969

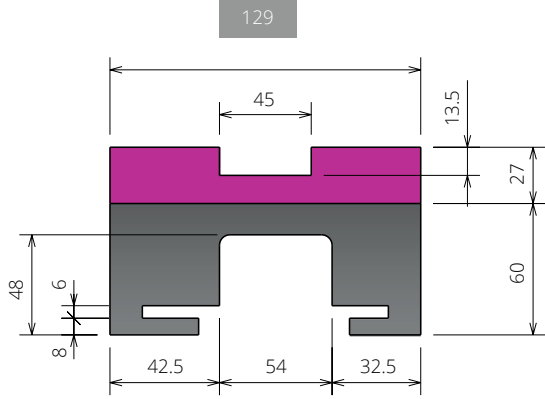
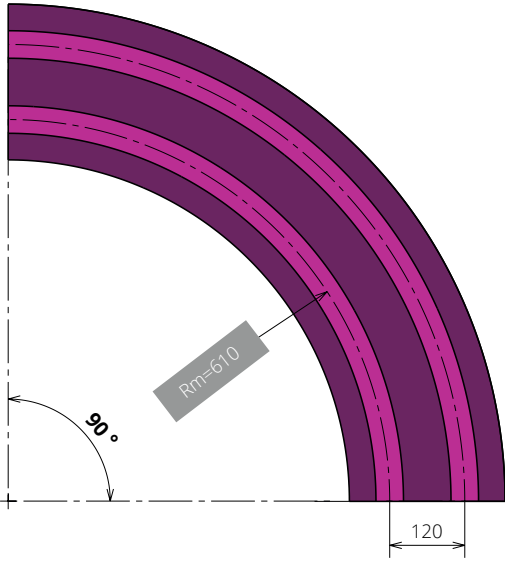


MULTI TRACK - G00002-a6-T2-B4-Rm2-P5-L3

Rm = 610mm - MULTI TRACK - 125mm LEAD IN / LEAD OUT

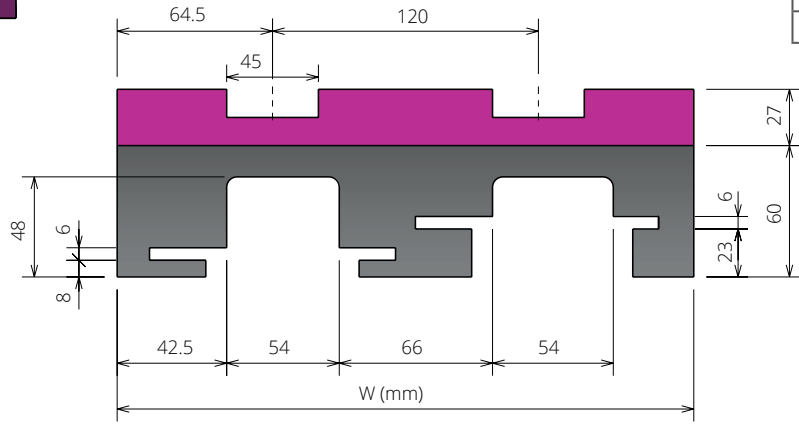
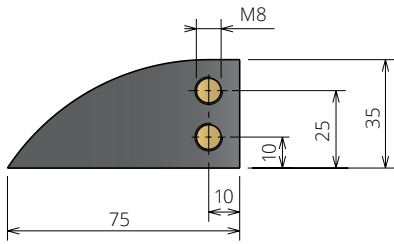
α 15°		α 30°		α 45°	
CODE	DESCRIPTION	CODE	DESCRIPTION	CODE	DESCRIPTION
G00002-a1-T1-B4-Rm2-P0-L3	15°-1T-129w-610CL-125L-MAG	G00002-a2-T1-B4-Rm2-P0-L3	30°-1T-129w-610CL-125L-MAG	G000002-a3-T1-B4-Rm2-P0-L3	45°-1T-129w-610CL-125L-MAG
G00002-a1-T2-B4-Rm2-P5-L3	15°-2T-129w-610CL-P120-125L-MAG	G00002-a2-T2-B4-Rm2-P5-L3	30°-2T-129w-610CL-P120-125L-MAG	G00002-a3-T2-B4-Rm2-P5-L3	45°-2T-129w-610CL-P120-125L-MAG
G00002-a1-T3-B4-Rm2-P5-L3	15°-3T-129w-610CL-P120-125L-MAG	G00002-a2-T3-B4-Rm2-P5-L3	30°-3T-129w-610CL-P120-125L-MAG	G00002-a3-T3-B4-Rm2-P5-L3	45°-3T-129w-610CL-P120-125L-MAG
G00002-a1-T4-B4-Rm2-P5-L3	15°-4T-129w-610CL-P120-125L-MAG	G00002-a2-T4-B4-Rm2-P5-L3	30°-4T-129w-610CL-P120-125L-MAG	G00002-a3-T4-B4-Rm2-P5-L3	45°-4T-129w-610CL-P120-125L-MAG
G00002-a1-T5-B4-Rm2-P5-L3	15°-5T-129w-610CL-P120-125L-MAG	G00002-a2-T5-B4-Rm2-P5-L3	30°-5T-129w-610CL-P120-125L-MAG	G00002-a3-T5-B4-Rm2-P5-L3	45°-5T-129w-610CL-P120-125L-MAG
G00002-a1-T6-B4-Rm2-P5-L3	15°-6T-129w-610CL-P120-125L-MAG	G00001-a2-T6-B4-Rm2-P5-L3	30°-6T-129w-610CL-P120-125L-MAG	G00002-a3-T6-B4-Rm2-P5-L3	45°-6T-129w-610CL-P120-125L-MAG
G00002-a1-T7-B4-Rm2-P5-L3	15°-7T-129w-610CL-P120-125L-MAG	G00002-a2-T7-B4-Rm2-P5-L3	30°-7T-129w-610CL-P120-125L-MAG	G00002-a3-T7-B4-Rm2-P5-L3	45°-7T-129w-610CL-P120-125L-MAG
G00002-a1-T8-B4-Rm2-P5-L3	15°-8T-129w-610CL-P120-125L-MAG	G00002-a2-T8-B4-Rm2-P5-L3	30°-8T-129w-610CL-P120-125L-MAG	G00002-a3-T8-B4-Rm2-P5-L3	45°-8T-129w-610CL-P120-125L-MAG
α 60°		α 75°		α 90°	
CODE	DESCRIPTION	CODE	DESCRIPTION	CODE	DESCRIPTION
G00002-a4-T1-B4-Rm2-P0-L3	60°-1T-129w-610CL-125L-MAG	G00002-a5-T1-B4-Rm2-P0-L3	75°-1T-129w-610CL-125L-MAG	G00002-a6-T1-B4-Rm2-P0-L3	90°-1T-129w-610CL-125L-MAG
G00002-a4-T2-B4-Rm2-P5-L3	60°-2T-129w-610CL-P120-125L-MAG	G00002-a5-T2-B4-Rm2-P5-L3	75°-2T-129w-610CL-P120-125L-MAG	G00002-a6-T2-B4-Rm2-P5-L3	90°-2T-129w-610CL-P120-125L-MAG
G00002-a4-T3-B4-Rm2-P5-L3	60°-3T-129w-610CL-P120-125L-MAG	G00002-a5-T3-B4-Rm2-P5-L3	75°-3T-129w-610CL-P120-125L-MAG	G00002-a6-T3-B4-Rm2-P5-L3	90°-3T-129w-610CL-P120-125L-MAG
G00002-a4-T4-B4-Rm2-P5-L3	60°-4T-129w-610CL-P120-125L-MAG	G00002-a5-T4-B4-Rm2-P5-L3	75°-4T-129w-610CL-P120-125L-MAG	G00002-a6-T4-B4-Rm2-P5-L3	90°-4T-129w-610CL-P120-125L-MAG
G00002-a4-T5-B4-Rm2-P5-L3	60°-5T-129w-610CL-P120-125L-MAG	G00002-a5-T5-B4-Rm2-P5-L3	75°-5T-129w-610CL-P120-125L-MAG	G00002-a6-T5-B4-Rm2-P5-L3	90°-5T-129w-610CL-P120-125L-MAG
G00002-a4-T6-B4-Rm2-P5-L3	60°-6T-129w-610CL-P120-125L-MAG	G00002-a5-T6-B4-Rm2-P5-L3	75°-6T-129w-610CL-P120-125L-MAG	G00002-a6-T6-B4-Rm2-P5-L3	90°-6T-129w-610CL-P120-125L-MAG
G00002-a4-T7-B4-Rm2-P5-L3	60°-7T-129w-610CL-P120-125L-MAG	G00002-a5-T7-B4-Rm2-P5-L3	75°-7T-129w-610CL-P120-125L-MAG	G00002-a6-T7-B4-Rm2-P5-L3	90°-7T-129w-610CL-P120-125L-MAG
G00002-a4-T8-B4-Rm2-P5-L3	60°-8T-129w-610CL-P120-125L-MAG	G00002-a5-T8-B4-Rm2-P5-L3	75°-8T-129w-610CL-P120-125L-MAG	G00002-a6-T8-B4-Rm2-P5-L3	90°-8T-129w-610CL-P120-125L-MAG

NON STANDARD SIZES ARE AVAILABLE ON REQUEST.
STANDARD ORDER QTY: PER SET



SINGLE TRACK - G00002-α6-T1-B4-Rm2-P0-L0

TRACKS	W
1	129
2	249
3	369
4	489
5	609
6	729
7	849
8	969



MULTI TRACK - G00002-α6-T2-B4-Rm2-P5-L0

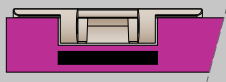
Rm = 610mm - MULTI TRACK - NO LEAD IN / LEAD OUT

α 15°		α 30°		α 45°	
CODE	DESCRIPTION	CODE	DESCRIPTION	CODE	DESCRIPTION
G00002-a1-T1-B4-Rm2-P0-L0	15°-1T-129w-610CL-0L-MAG	G00002-a2-T1-B4-Rm2-P0-L0	30°-1T-129w-610CL-0L-MAG	G00002-a3-T1-B4-Rm2-P0-L0	45°-1T-129w-610CL-0L-MAG
G00002-a1-T2-B4-Rm2-P5-L0	15°-2T-129w-610CL-P120-0L-MAG	G00002-a2-T2-B4-Rm2-P5-L0	30°-2T-129w-610CL-P120-0L-MAG	G00002-a3-T2-B4-Rm2-P5-L0	45°-2T-129w-610CL-P120-0L-MAG
G00002-a1-T3-B4-Rm2-P5-L0	15°-3T-129w-610CL-P120-0L-MAG	G00002-a2-T3-B4-Rm2-P5-L0	30°-3T-129w-610CL-P120-0L-MAG	G00002-a3-T3-B4-Rm2-P5-L0	45°-3T-129w-610CL-P120-0L-MAG
G00002-a1-T4-B4-Rm2-P5-L0	15°-4T-129w-610CL-P120-0L-MAG	G00002-a2-T4-B4-Rm2-P5-L0	30°-4T-129w-610CL-P120-0L-MAG	G00002-a3-T4-B4-Rm2-P5-L0	45°-4T-129w-610CL-P120-0L-MAG
G00002-a1-T5-B4-Rm2-P5-L0	15°-5T-129w-610CL-P120-0L-MAG	G00002-a2-T5-B4-Rm2-P5-L0	30°-5T-129w-610CL-P120-0L-MAG	G00002-a3-T5-B4-Rm2-P5-L0	45°-5T-129w-610CL-P120-0L-MAG
G00002-a1-T6-B4-Rm2-P5-L0	15°-6T-129w-610CL-P120-0L-MAG	G00001-a2-T6-B4-Rm2-P5-L0	30°-6T-129w-610CL-P120-0L-MAG	G00002-a3-T6-B4-Rm2-P5-L0	45°-6T-129w-610CL-P120-0L-MAG
G00002-a1-T7-B4-Rm2-P5-L0	15°-7T-129w-610CL-P120-0L-MAG	G00002-a2-T7-B4-Rm2-P5-L0	30°-7T-129w-610CL-P120-0L-MAG	G00002-a3-T7-B4-Rm2-P5-L0	45°-7T-129w-610CL-P120-0L-MAG
G00002-a1-T8-B4-Rm2-P5-L0	15°-8T-129w-610CL-P120-0L-MAG	G00002-a2-T8-B4-Rm2-P5-L0	30°-8T-129w-610CL-P120-0L-MAG	G00002-a3-T8-B4-Rm2-P5-L0	45°-8T-129w-610CL-P120-0L-MAG
α 60°		α 75°		α 90°	
CODE	DESCRIPTION	CODE	DESCRIPTION	CODE	DESCRIPTION
G00002-a4-T1-B4-Rm2-P0-L0	60°-1T-129w-610CL-0L-MAG	G00002-a5-T1-B4-Rm2-P0-L0	75°-1T-129w-610CL-0L-MAG	G00002-a6-T1-B4-Rm2-P0-L0	90°-1T-129w-610CL-0L-MAG
G00002-a4-T2-B4-Rm2-P5-L0	60°-2T-129w-610CL-P120-0L-MAG	G00002-a5-T2-B4-Rm2-P5-L0	75°-2T-129w-610CL-P120-0L-MAG	G00002-a6-T2-B4-Rm2-P5-L0	90°-2T-129w-610CL-P120-0L-MAG
G00002-a4-T3-B4-Rm2-P5-L0	60°-3T-129w-610CL-P120-0L-MAG	G00002-a5-T3-B4-Rm2-P5-L0	75°-3T-129w-610CL-P120-0L-MAG	G00002-a6-T3-B4-Rm2-P5-L0	90°-3T-129w-610CL-P120-0L-MAG
G00002-a4-T4-B4-Rm2-P5-L0	60°-4T-129w-610CL-P120-0L-MAG	G00002-a5-T4-B4-Rm2-P5-L0	75°-4T-129w-610CL-P120-0L-MAG	G00002-a6-T4-B4-Rm2-P5-L0	90°-4T-129w-610CL-P120-0L-MAG
G00002-a4-T5-B4-Rm2-P5-L0	60°-5T-129w-610CL-P120-0L-MAG	G00002-a5-T5-B4-Rm2-P5-L0	75°-5T-129w-610CL-P120-0L-MAG	G00002-a6-T5-B4-Rm2-P5-L0	90°-5T-129w-610CL-P120-0L-MAG
G00002-a4-T6-B4-Rm2-P5-L0	60°-6T-129w-610CL-P120-0L-MAG	G00002-a5-T6-B4-Rm2-P5-L0	75°-6T-129w-610CL-P120-0L-MAG	G00002-a6-T6-B4-Rm2-P5-L0	90°-6T-129w-610CL-P120-0L-MAG
G00002-a4-T7-B4-Rm2-P5-L0	60°-7T-129w-610CL-P120-0L-MAG	G00002-a5-T7-B4-Rm2-P5-L0	75°-7T-129w-610CL-P120-0L-MAG	G00002-a6-T7-B4-Rm2-P5-L0	90°-7T-129w-610CL-P120-0L-MAG
G00002-a4-T8-B4-Rm2-P5-L0	60°-8T-129w-610CL-P120-0L-MAG	G00002-a5-T8-B4-Rm2-P5-L0	75°-8T-129w-610CL-P120-0L-MAG	G00002-a6-T8-B4-Rm2-P5-L0	90°-8T-129w-610CL-P120-0L-MAG

NON STANDARD SIZES ARE AVAILABLE ON REQUEST.
STANDARD ORDER QTY: PER SET

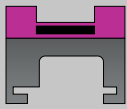
G00003

K750 CORNER TRACKS / CURVES / BENDS MAGNETIC

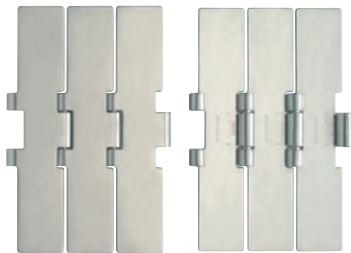


MAGNETIC

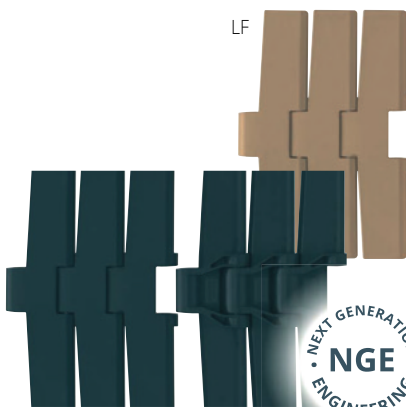
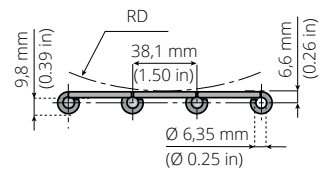
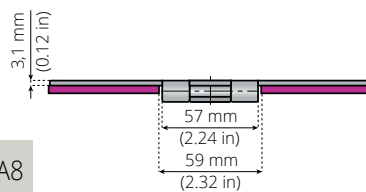
The magnetic corner track is the most effective and reliable system for the table top conveyor design.



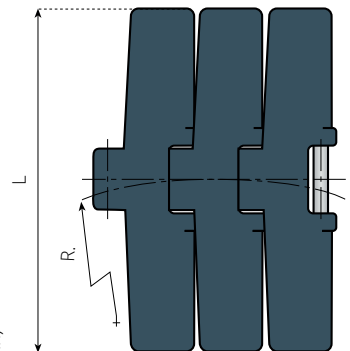
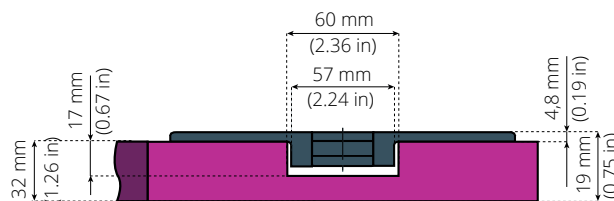
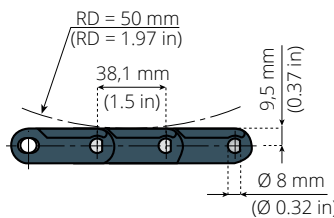
The magnets are carefully selected and positioned to provide the correct magnetic field to hold the chain on the corner track and this provides a flat carrying surface for the chain; thus, improving product stability and support for the product.



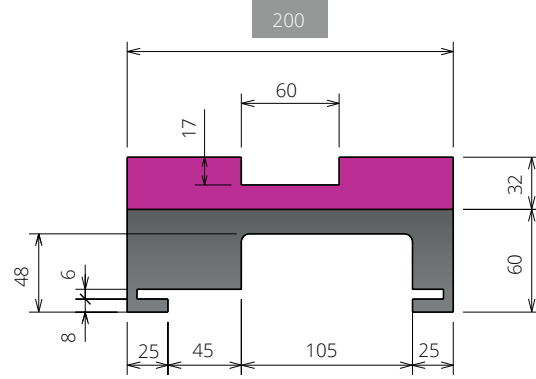
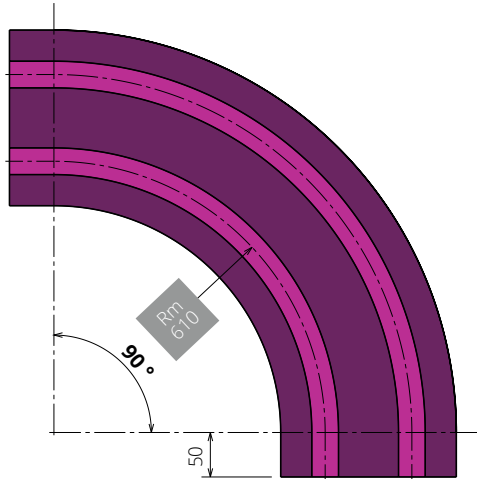
PG: A8



PG: B15

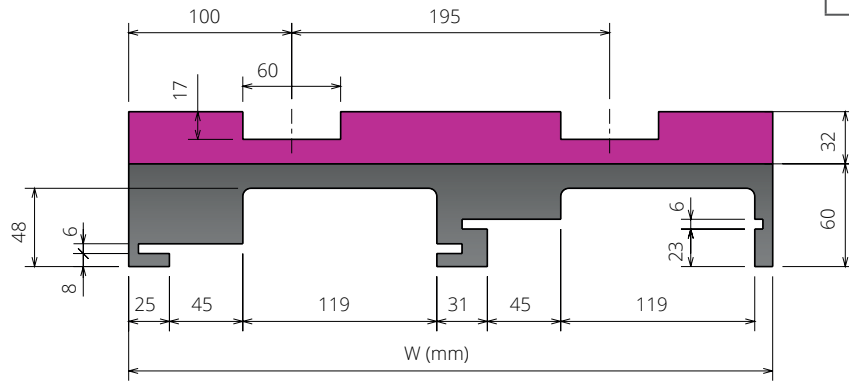
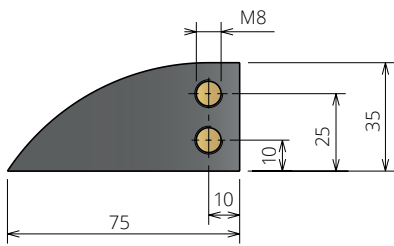


• NEXT GENERATION •
NGE
• ENGINEERING •



SINGLE TRACK - G00003-a6-T1-B5-Rm2-P0-L1

TRACKS	W
1	200
2	395
3	590

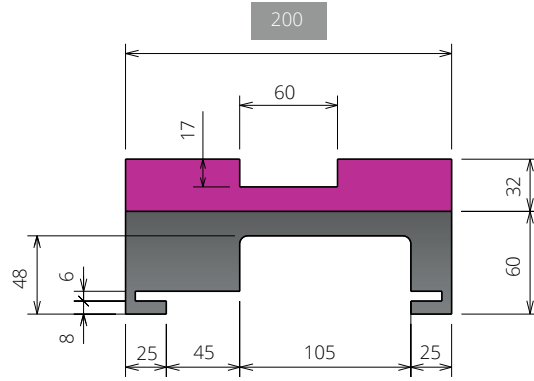
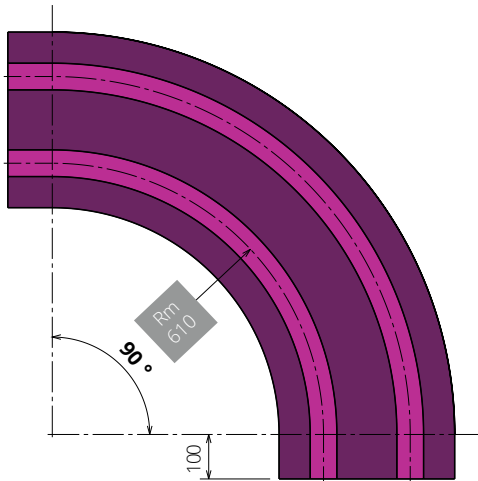


MULTI TRACK - G00003-a6-T2-B5-Rm2-P6-L1

Rm = 610mm - MULTI TRACK - 50mm LEAD IN / LEAD OUT

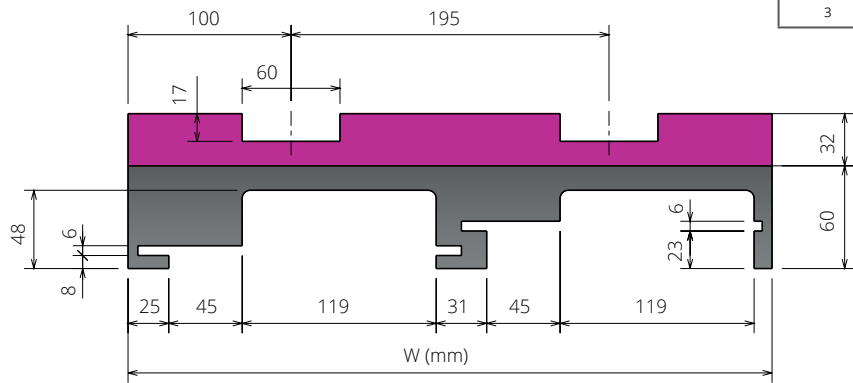
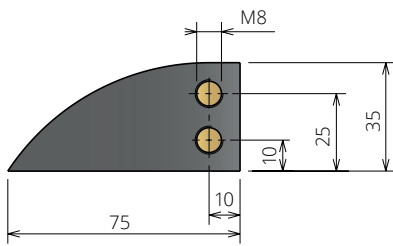
α 15°		α 30°		α 45°	
CODE	DESCRIPTION	CODE	DESCRIPTION	CODE	DESCRIPTION
G00003-a1-T1-B5-Rm2-P0-L1	15°-1T-200w-610CL-50L-MAG	G00003-a2-T1-B5-Rm2-P0-L1	30°-1T-200w-610CL-50L-MAG	G00003-a3-T1-B5-Rm2-P0-L1	45°-1T-200w-610CL-50L-MAG
G00003-a1-T2-B5-Rm2-P6-L1	15°-2T-200w-610CL-P195-50L-MAG	G00003-a2-T2-B5-Rm2-P6-L1	30°-2T-200w-610CL-P195-50L-MAG	G00003-a3-T2-B5-Rm2-P6-L1	45°-2T-200w-610CL-P195-50L-MAG
G00003-a1-T3-B5-Rm2-P6-L1	15°-3T-200w-610CL-P195-50L-MAG	G00003-a2-T3-B5-Rm2-P6-L1	30°-3T-200w-610CL-P195-50L-MAG	G00003-a3-T3-B5-Rm2-P6-L1	45°-3T-200w-610CL-P195-50L-MAG
α 60°		α 75°		α 90°	
CODE	DESCRIPTION	CODE	DESCRIPTION	CODE	DESCRIPTION
G00003-a4-T1-B5-Rm2-P0-L1	60°-1T-200w-610CL-50L-MAG	G00003-a5-T1-B5-Rm2-P0-L1	75°-1T-200w-610CL-50L-MAG	G00003-a6-T1-B5-Rm2-P0-L1	90°-1T-200w-610CL-50L-MAG
G00003-a4-T2-B5-Rm2-P6-L1	60°-2T-200w-610CL-P195-50L-MAG	G00003-a5-T2-B5-Rm2-P6-L1	75°-2T-200w-610CL-P195-50L-MAG	G00003-a6-T2-B5-Rm2-P6-L1	90°-2T-200w-610CL-P195-50L-MAG
G00003-a4-T3-B5-Rm2-P6-L1	60°-3T-200w-610CL-P195-50L-MAG	G00003-a5-T3-B5-Rm2-P6-L1	75°-3T-200w-610CL-P195-50L-MAG	G00003-a6-T3-B5-Rm2-P6-L1	90°-3T-200w-610CL-P195-50L-MAG

NON STANDARD SIZES ARE AVAILABLE ON REQUEST.
STANDARD ORDER QTY: PER SET



SINGLE TRACK - G00003-α6-T1-B5-Rm2-P0-L2

TRACKS	W
1	200
2	395
3	590

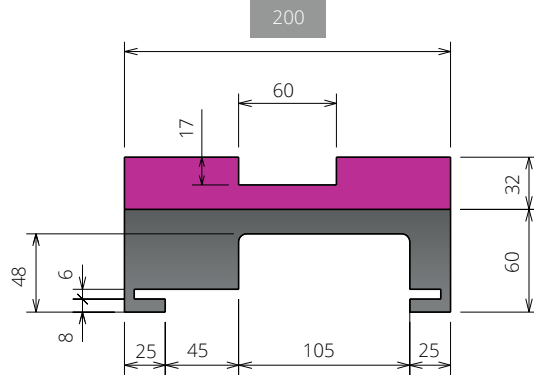
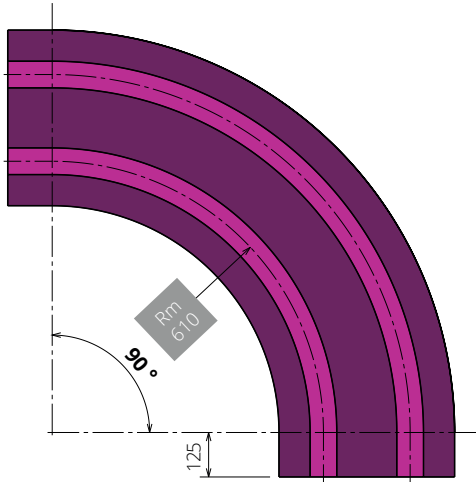


MULTI TRACK - G00003-α6-T2-B5-Rm2-P6-L2

Rm = 610mm - MULTI TRACK - 100mm LEAD IN / LEAD OUT

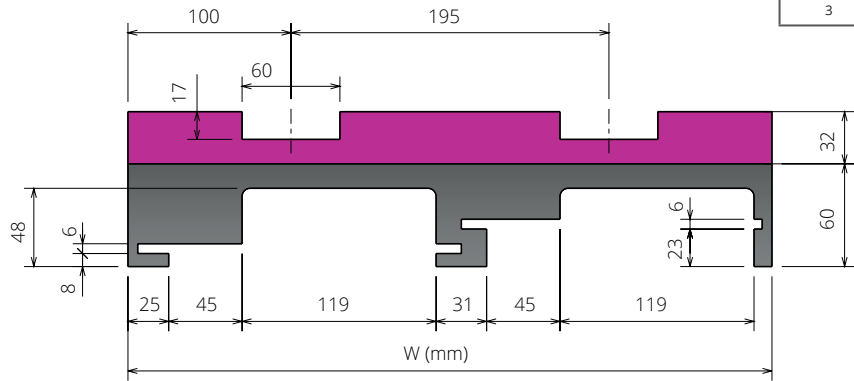
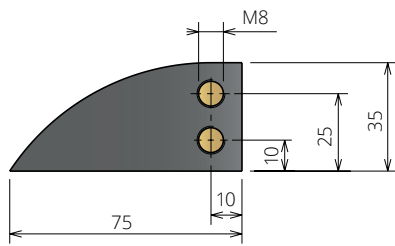
α 15°		α 30°		α 45°	
CODE	DESCRIPTION	CODE	DESCRIPTION	CODE	DESCRIPTION
G00003-a1-T1-B5-Rm2-P0-L2	15°-1T-200w-610CL-100L-MAG	G00003-a2-T1-B5-Rm2-P0-L2	30°-1T-200w-610CL-100L-MAG	G00003-a3-T1-B5-Rm2-P0-L2	45°-1T-200w-610CL-100L-MAG
G00003-a1-T2-B5-Rm2-P6-L2	15°-2T-200w-610CL-P195-100L-MAG	G00003-a2-T2-B5-Rm2-P6-L2	30°-2T-200w-610CL-P195-100L-MAG	G00003-a3-T2-B5-Rm2-P6-L2	45°-2T-200w-610CL-P195-100L-MAG
G00003-a1-T3-B5-Rm2-P6-L2	15°-3T-200w-610CL-P195-100L-MAG	G00003-a2-T3-B5-Rm2-P6-L2	30°-3T-200w-610CL-P195-100L-MAG	G00003-a3-T3-B5-Rm2-P6-L2	45°-3T-200w-610CL-P195-100L-MAG
α 60°		α 75°		α 90°	
CODE	DESCRIPTION	CODE	DESCRIPTION	CODE	DESCRIPTION
G00003-a4-T1-B5-Rm2-P0-L2	60°-1T-200w-610CL-100L-MAG	G00003-a5-T1-B5-Rm2-P0-L2	75°-1T-200w-610CL-100L-MAG	G00003-a6-T1-B5-Rm2-P0-L2	90°-1T-200w-610CL-100L-MAG
G00003-a4-T2-B5-Rm2-P6-L2	60°-2T-200w-610CL-P195-100L-MAG	G00003-a5-T2-B5-Rm2-P6-L2	75°-2T-200w-610CL-P195-100L-MAG	G00003-a6-T2-B5-Rm2-P6-L2	90°-2T-200w-610CL-P195-100L-MAG
G00003-a4-T3-B5-Rm2-P6-L2	60°-3T-200w-610CL-P195-100L-MAG	G00003-a5-T3-B5-Rm2-P6-L2	75°-3T-200w-610CL-P195-100L-MAG	G00003-a6-T3-B5-Rm2-P6-L2	90°-3T-200w-610CL-P195-100L-MAG

NON STANDARD SIZES ARE AVAILABLE ON REQUEST.
STANDARD ORDER QTY: PER SET



SINGLE TRACK - G00003-a6-T1-BK5-Rm2-P0-L3

TRACKS	W
1	200
2	395
3	590

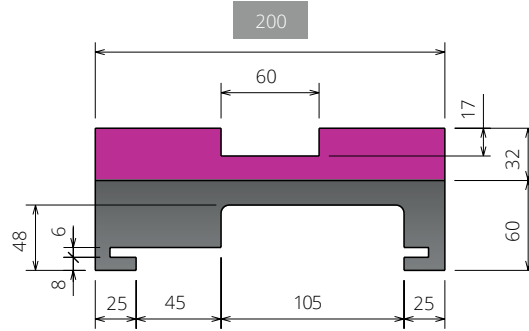
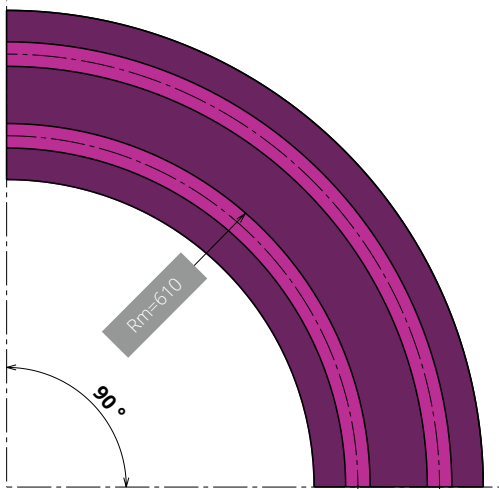


MULTI TRACK - G00003-a6-T2-B5-Rm2-P6-L3

Rm = 610mm - MULTI TRACK - 125mm LEAD IN / LEAD OUT

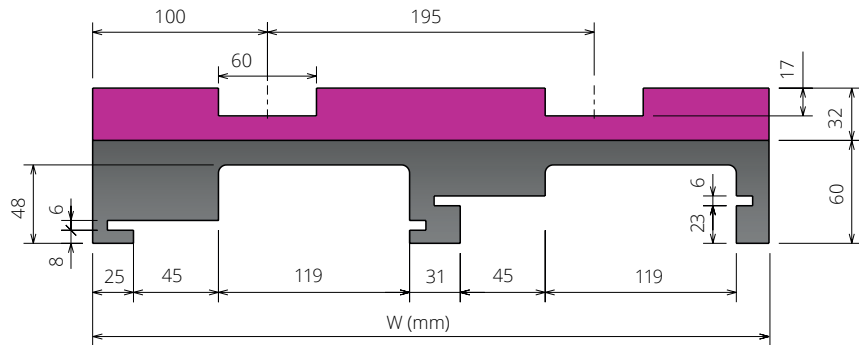
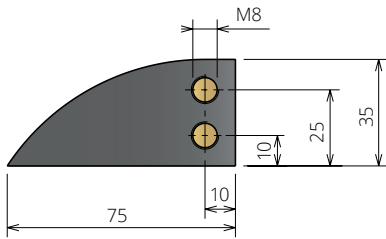
$\alpha 15^\circ$		$\alpha 30^\circ$		$\alpha 45^\circ$	
CODE	DESCRIPTION	CODE	DESCRIPTION	CODE	DESCRIPTION
G00003-a1-T1-B5-Rm2-P0-L3	15°-1T-200w-610CL-125L-MAG	G00003-a2-T1-B5-Rm2-P0-L3	30°-1T-200w-610CL-125L-MAG	G00003-a3-T1-B5-Rm2-P0-L3	45°-1T-200w-610CL-125L-MAG
G00003-a1-T2-B5-Rm2-P6-L3	15°-2T-200w-610CL-P195-125L-MAG	G00003-a2-T2-B5-Rm2-P6-L3	30°-2T-200w-610CL-P195-125L-MAG	G00003-a3-T2-B5-Rm2-P6-L3	45°-2T-200w-610CL-P195-125L-MAG
G00003-a1-T3-B5-Rm2-P6-L3	15°-3T-200w-610CL-P195-125L-MAG	G00003-a2-T3-B5-Rm2-P6-L3	30°-3T-200w-610CL-P195-125L-MAG	G00003-a3-T3-B5-Rm2-P6-L3	45°-3T-200w-610CL-P195-125L-MAG
$\alpha 60^\circ$		$\alpha 75^\circ$		$\alpha 90^\circ$	
CODE	DESCRIPTION	CODE	DESCRIPTION	CODE	DESCRIPTION
G00003-a4-T1-B5-Rm2-P0-L3	60°-1T-200w-610CL-125L-MAG	G00003-a5-T1-B5-Rm2-P0-L3	75°-1T-200w-610CL-125L-MAG	G00003-a6-T1-B5-Rm2-P0-L3	90°-1T-200w-610CL-125L-MAG
G00003-a4-T2-B5-Rm2-P6-L3	60°-2T-200w-610CL-P195-125L-MAG	G00003-a5-T2-B5-Rm2-P6-L3	75°-2T-200w-610CL-P195-125L-MAG	G00003-a6-T2-B5-Rm2-P6-L3	90°-2T-200w-610CL-P195-125L-MAG
G00003-a4-T3-B5-Rm2-P6-L3	60°-3T-200w-610CL-P195-125L-MAG	G00003-a5-T3-B5-Rm2-P6-L3	75°-3T-200w-610CL-P195-125L-MAG	G00003-a6-T3-B5-Rm2-P6-L3	90°-3T-200w-610CL-P195-125L-MAG

NON STANDARD SIZES ARE AVAILABLE ON REQUEST.
STANDARD ORDER QTY: PER SET



SINGLE TRACK - G00003-a6-T1-B5-Rm2-P0-L0

TRACKS	W
1	200
2	395
3	590

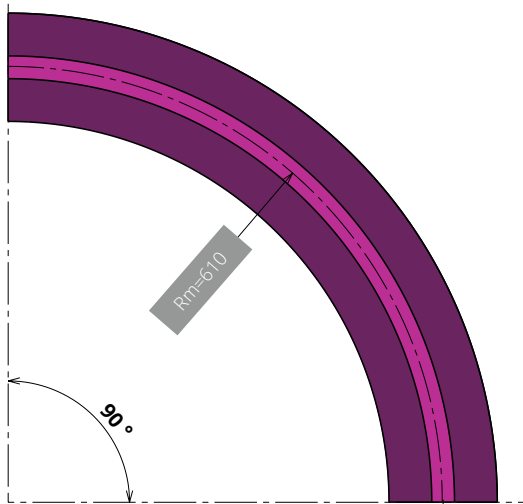


MULTI TRACK - G00003-a6-T2-B5-Rm2-P6-L0

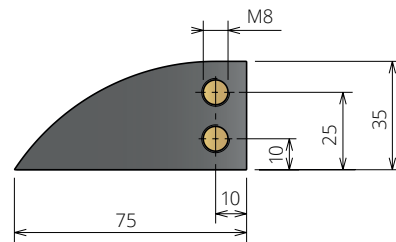
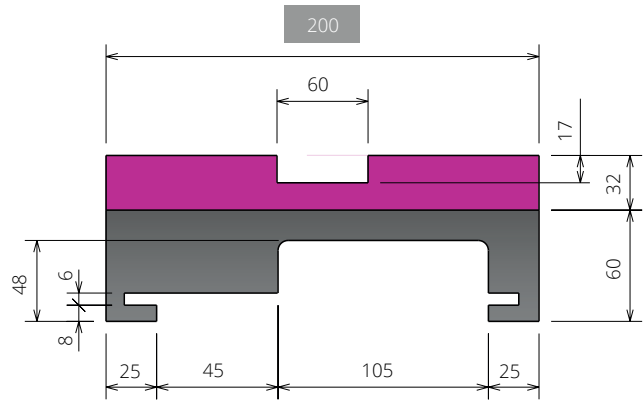
Rm = 610mm - MULTI TRACK - 125mm LEAD IN / LEAD OUT

α 15°		α 30°		α 45°	
CODE	DESCRIPTION	CODE	DESCRIPTION	CODE	DESCRIPTION
G00003-a1-T1-B5-Rm2-P0-L0	15°-1T-200w-610CL-0L-MAG	G00003-a2-T1-B5-Rm2-P0-L0	30°-1T-200w-610CL-0L-MAG	G00003-a3-T1-B5-Rm2-P0-L0	45°-1T-200w-610CL-0L-MAG
G00003-a1-T2-B5-Rm2-P6-L0	15°-2T-200w-610CL-P195-0L-MAG	G00003-a2-T2-B5-Rm2-P6-L0	30°-2T-200w-610CL-P195-0L-MAG	G00003-a3-T2-B5-Rm2-P6-L0	45°-2T-200w-610CL-P195-0L-MAG
G00003-a1-T3-B5-Rm2-P6-L0	15°-3T-200w-610CL-P195-0L-MAG	G00003-a2-T3-B5-Rm2-P6-L0	30°-3T-200w-610CL-P195-0L-MAG	G00003-a3-T3-B5-Rm2-P6-L0	45°-3T-200w-610CL-P195-0L-MAG
α 60°		α 75°		α 90°	
CODE	DESCRIPTION	CODE	DESCRIPTION	CODE	DESCRIPTION
G00003-a4-T1-B5-Rm2-P0-L0	60°-1T-200w-610CL-0L-MAG	G00003-a5-T1-B5-Rm2-P0-L0	75°-1T-200w-610CL-0L-MAG	G00003-a6-T1-B5-Rm2-P0-L0	90°-1T-200w-610CL-0L-MAG
G00003-a4-T2-B5-Rm2-P6-L0	60°-2T-200w-610CL-P195-0L-MAG	G00003-a5-T2-B5-Rm2-P6-L0	75°-2T-200w-610CL-P195-0L-MAG	G00003-a6-T2-B5-Rm2-P6-L0	90°-2T-200w-610CL-P195-0L-MAG
G00003-a4-T3-B5-Rm2-P6-L0	60°-3T-200w-610CL-P195-0L-MAG	G00003-a5-T3-B5-Rm2-P6-L0	75°-3T-200w-610CL-P195-0L-MAG	G00003-a6-T3-B5-Rm2-P6-L0	90°-3T-200w-610CL-P195-0L-MAG

NON STANDARD SIZES ARE AVAILABLE ON REQUEST.
STANDARD ORDER QTY: PER SET



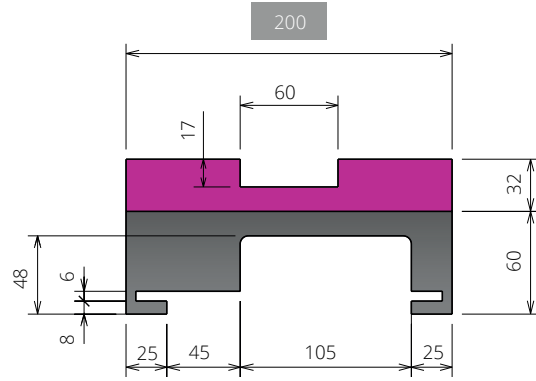
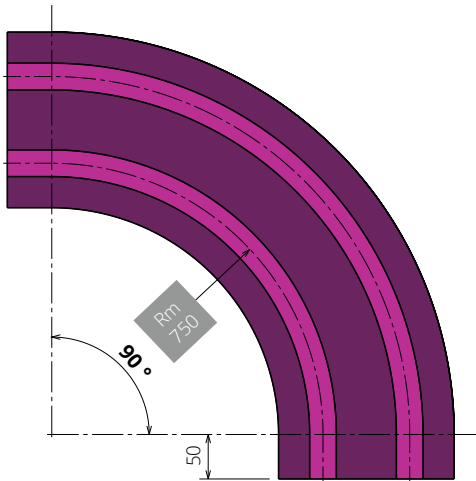
LEAD IN & OUT AVAILABLE IN
125mm - 100mm - 50mm AND WITHOUT



Rm = 610mm - SINGLE TRACK

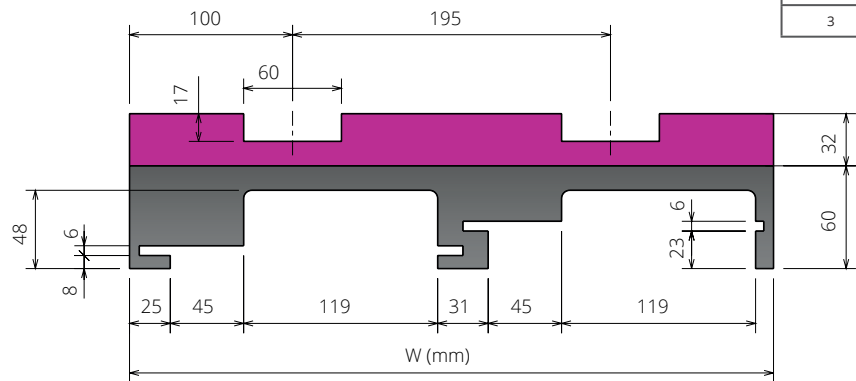
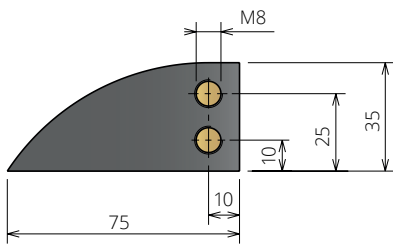
$\alpha 15^\circ$		$\alpha 30^\circ$		$\alpha 45^\circ$	
CODE	DESCRIPTION	CODE	DESCRIPTION	CODE	DESCRIPTION
G00003-a1-T1-B5-Rm2-P0-L0	15°-1T-200w-610CL-0L-MAG	G00003-a2-T1-B5-Rm2-P0-L0	30°-1T-200w-610CL-0L-MAG	G00003-a3-T1-B5-Rm2-P0-L0	45°-1T-200w-610CL-0L-MAG
G00003-a1-T1-B5-Rm2-P0-L1	15°-1T-200w-610CL-50L-MAG	G00003-a2-T1-B5-Rm2-P0-L1	30°-1T-200w-610CL-50L-MAG	G00003-a3-T1-B5-Rm2-P0-L1	45°-1T-200w-610CL-50L-MAG
G00003-a1-T1-B5-Rm2-P0-L2	15°-1T-200w-610CL-100L-MAG	G00003-a2-T1-B5-Rm2-P0-L2	30°-1T-200w-610CL-100L-MAG	G00003-a3-T1-B5-Rm2-P0-L2	45°-1T-200w-610CL-100L-MAG
G00003-a1-T1-B5-Rm2-P0-L3	15°-1T-200w-610CL-125L-MAG	G00003-a2-T1-B5-Rm2-P0-L3	30°-1T-200w-610CL-125L-MAG	G00003-a3-T1-B5-Rm2-P0-L3	45°-1T-200w-610CL-125L-MAG
$\alpha 60^\circ$		$\alpha 75^\circ$		$\alpha 90^\circ$	
CODE	DESCRIPTION	CODE	DESCRIPTION	CODE	DESCRIPTION
G00003-a4-T1-B5-Rm2-P0-L0	60°-1T-200w-610CL-0L-MAG	G00003-a5-T1-B5-Rm2-P0-L0	75°-1T-200w-610CL-0L-MAG	G00003-a6-T1-B5-Rm2-P0-L0	90°-1T-200w-610CL-0L-MAG
G00003-a4-T1-B5-Rm2-P0-L1	60°-1T-200w-610CL-50L-MAG	G00003-a5-T1-B5-Rm2-P0-L1	75°-1T-200w-610CL-50L-MAG	G00003-a6-T1-B5-Rm2-P0-L1	90°-1T-200w-610CL-50L-MAG
G00003-a4-T1-B5-Rm2-P0-L2	60°-1T-200w-610CL-100L-MAG	G00003-a5-T1-B5-Rm2-P0-L2	75°-1T-200w-610CL-100L-MAG	G00003-a6-T1-B5-Rm2-P0-L2	90°-1T-200w-610CL-100L-MAG
G00003-a4-T1-B5-Rm2-P0-L3	60°-1T-200w-610CL-125L-MAG	G00003-a5-T1-B5-Rm2-P0-L3	75°-1T-200w-610CL-125L-MAG	G00003-a6-T1-B5-Rm2-P0-L3	90°-1T-200w-610CL-125L-MAG

NON STANDARD SIZES ARE AVAILABLE ON REQUEST.
STANDARD ORDER QTY: PER SET



SINGLE TRACK - G00003-a6-T1-B5-Rm4-P0-L1

TRACKS	W
1	200
2	395
3	590



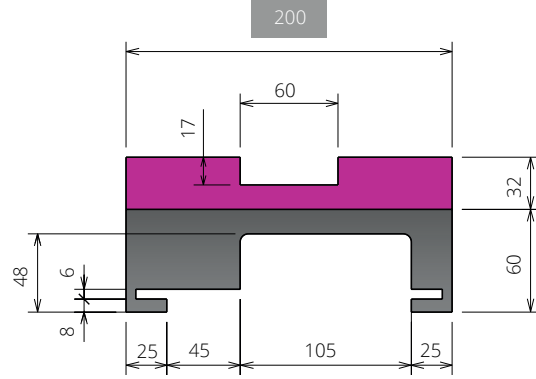
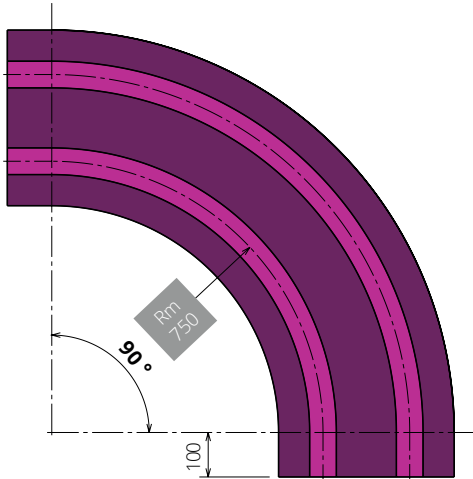
MULTI TRACK - G00003-a6-T2-B5-Rm4-P6-L1

Rm = 750mm - MULTI TRACK - 50mm LEAD IN / LEAD OUT

$\alpha 15^\circ$		$\alpha 30^\circ$		$\alpha 45^\circ$	
CODE	DESCRIPTION	CODE	DESCRIPTION	CODE	DESCRIPTION
G00003-a1-T1-B5-Rm4-P0-L1	15°-1T-200w-750CL-50L-MAG	G00003-a2-T1-B5-Rm4-P0-L1	30°-1T-200w-750CL-50L-MAG	G00003-a3-T1-B5-Rm4-P0-L1	45°-1T-200w-750CL-50L-MAG
G00003-a1-T2-B5-Rm4-P6-L1	15°-2T-200w-750CL-P195-50L-MAG	G00003-a2-T2-B5-Rm4-P6-L1	30°-2T-200w-750CL-P195-50L-MAG	G00003-a3-T2-B5-Rm4-P6-L1	45°-2T-200w-750CL-P195-50L-MAG
G00003-a1-T3-B5-Rm4-P6-L1	15°-3T-200w-750CL-P195-50L-MAG	G00003-a2-T3-B5-Rm4-P6-L1	30°-3T-200w-750CL-P195-50L-MAG	G00003-a3-T3-B5-Rm4-P6-L1	45°-3T-200w-750CL-P195-50L-MAG
$\alpha 60^\circ$		$\alpha 75^\circ$		$\alpha 90^\circ$	
CODE	DESCRIPTION	CODE	DESCRIPTION	CODE	DESCRIPTION
G00003-a4-T1-B5-Rm4-P0-L1	60°-1T-200w-750CL-50L-MAG	G00003-a5-T1-B5-Rm4-P0-L1	75°-1T-200w-750CL-50L-MAG	G00003-a6-T1-B5-Rm4-P0-L1	90°-1T-200w-750CL-50L-MAG
G00003-a4-T2-B5-Rm4-P6-L1	60°-2T-200w-750CL-P195-50L-MAG	G00003-a5-T2-B5-Rm4-P6-L1	75°-2T-200w-750CL-P195-50L-MAG	G00003-a6-T2-B5-Rm4-P6-L1	90°-2T-200w-750CL-P195-50L-MAG
G00003-a4-T3-B5-Rm4-P6-L1	60°-3T-200w-750CL-P195-50L-MAG	G00003-a5-T3-B5-Rm4-P6-L1	75°-3T-200w-750CL-P195-50L-MAG	G00003-a6-T3-B5-Rm4-P6-L1	90°-3T-200w-750CL-P195-50L-MAG

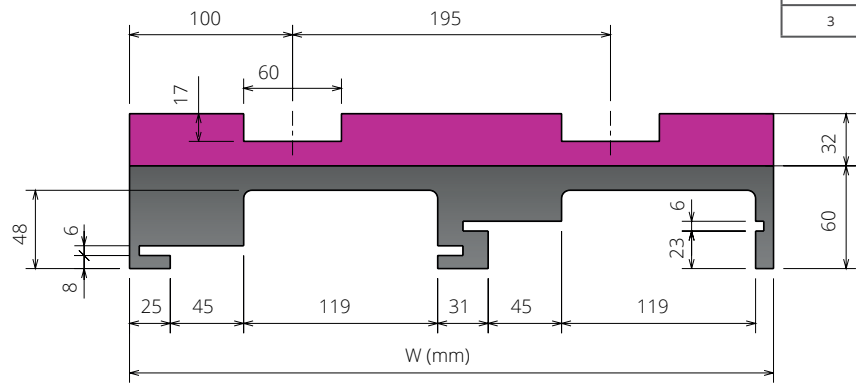
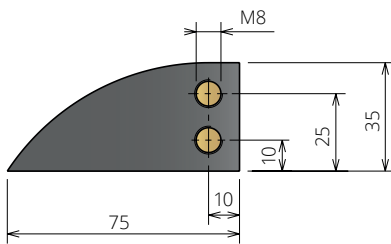
NON STANDARD SIZES ARE AVAILABLE ON REQUEST.
STANDARD ORDER QTY: PER SET





SINGLE TRACK - G00003-a6-T1-B5-Rm4-P0-L2

TRACKS	W
1	200
2	395
3	590

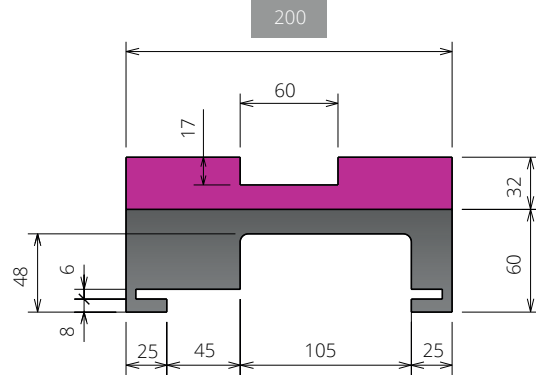
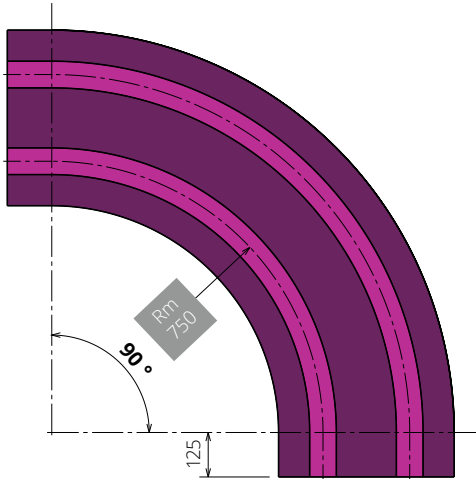


MULTI TRACK - G00003-a6-T2-B5-Rm4-P6-L2

Rm = 750mm - MULTI TRACK - 100mm LEAD IN / LEAD OUT

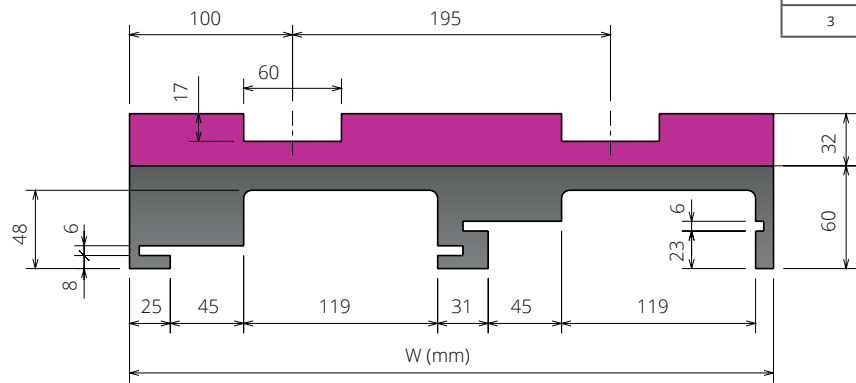
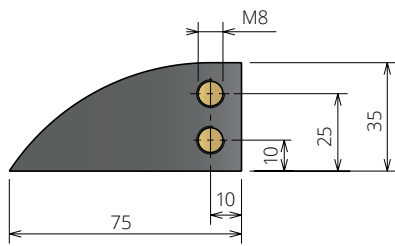
$\alpha 15^\circ$		$\alpha 30^\circ$		$\alpha 45^\circ$	
CODE	DESCRIPTION	CODE	DESCRIPTION	CODE	DESCRIPTION
G00003-a1-T1-B5-Rm4-P0-L2	15°-1T-200w-750CL-100L-MAG	G00003-a2-T1-B5-Rm4-P0-L2	30°-1T-200w-750CL-100L-MAG	G00003-a3-T1-B5-Rm4-P0-L2	45°-1T-200w-750CL-100L-MAG
G00003-a1-T2-B5-Rm4-P6-L2	15°-2T-200w-750CL-P195-100L-MAG	G00003-a2-T2-B5-Rm4-P6-L2	30°-2T-200w-750CL-P195-100L-MAG	G00003-a3-T2-B5-Rm4-P6-L2	45°-2T-200w-750CL-P195-100L-MAG
G00003-a1-T3-B5-Rm4-P6-L2	15°-3T-200w-750CL-P195-100L-MAG	G00003-a2-T3-B5-Rm4-P6-L2	30°-3T-200w-750CL-P195-100L-MAG	G00003-a3-T3-B5-Rm4-P6-L2	45°-3T-200w-750CL-P195-100L-MAG
$\alpha 60^\circ$		$\alpha 75^\circ$		$\alpha 90^\circ$	
CODE	DESCRIPTION	CODE	DESCRIPTION	CODE	DESCRIPTION
G00003-a4-T1-B5-Rm4-P0-L2	60°-1T-200w-750C-100L-MAG	G00003-a5-T1-B5-Rm4-P0-L2	75°-1T-200w-750CL-100L-MAG	G00003-a6-T1-B5-Rm4-P0-L2	90°-1T-200w-750CL-100L-MAG
G00003-a4-T2-B5-Rm4-P6-L2	60°-2T-200w-750CL-P195-100L-MAG	G00003-a5-T2-B5-Rm4-P6-L2	75°-2T-200w-750CL-P195-100L-MAG	G00003-a6-T2-B5-Rm4-P6-L2	90°-2T-200w-750CL-P195-100L-MAG
G00003-a4-T3-B5-Rm4-P6-L2	60°-3T-200w-750CL-P195-100L-MAG	G00003-a5-T3-B5-Rm4-P6-L2	75°-3T-200w-750CL-P195-100L-MAG	G00003-a6-T3-B5-Rm4-P6-L2	90°-3T-200w-750CL-P195-100L-MAG

NON STANDARD SIZES ARE AVAILABLE ON REQUEST.
STANDARD ORDER QTY: PER SET



SINGLE TRACK - G00003-a6-T1-B5-Rm4-P0-L3

TRACKS	W
1	200
2	395
3	590



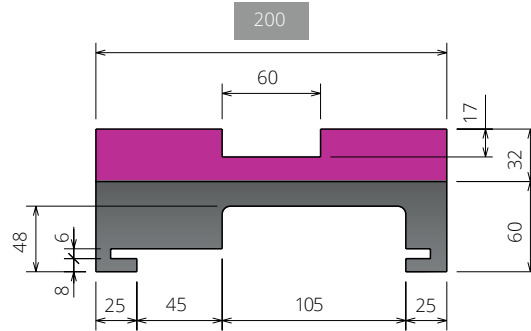
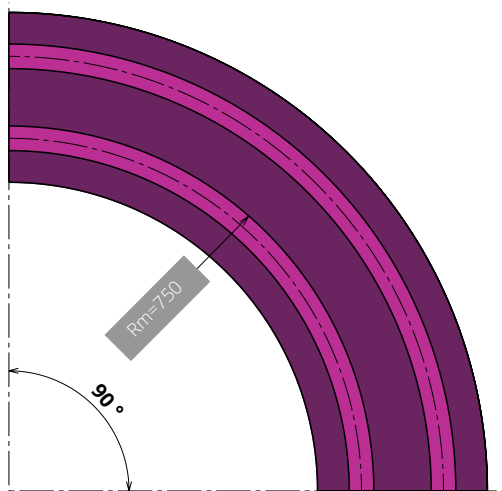
MULTI TRACK - G00003-a6-T2-B5-Rm4-P6-L3

Rm = 750mm - MULTI TRACK - 125mm LEAD IN / LEAD OUT

$\alpha 15^\circ$		$\alpha 30^\circ$		$\alpha 45^\circ$	
CODE	DESCRIPTION	CODE	DESCRIPTION	CODE	DESCRIPTION
G00003-a1-T1-B5-Rm4-P0-L3	15°-1T-200-750CL-125L-MAG	G00003-a2-T1-B5-Rm4-P0-L3	30°-1T-200w-750CL-125L-MAG	G00003-a3-T1-B5-Rm4-P0-L3	45°-1T-200w-750CL-125L-MAG
G00003-a1-T2-B5-Rm4-P6-L3	15°-2T-200w-750CL-P195-125L-MAG	G00003-a2-T2-B5-Rm4-P6-L3	30°-2T-200w-750CL-P195-125L-MAG	G00003-a3-T2-B5-Rm4-P6-L3	45°-2T-200w-750CL-P195-125L-MAG
G00003-a1-T3-B5-Rm4-P6-L3	15°-3T-200w-750CL-P195-125L-MAG	G00003-a2-T3-B5-Rm4-P6-L3	30°-3T-200w-750CL-P195-125L-MAG	G00003-a3-T3-B5-Rm4-P6-L3	45°-3T-200w-750CL-P195-125L-MAG
$\alpha 60^\circ$		$\alpha 75^\circ$		$\alpha 90^\circ$	
CODE	DESCRIPTION	CODE	DESCRIPTION	CODE	DESCRIPTION
G00003-a4-T1-B5-Rm4-P0-L3	60°-1T-200w-750CL-125L-MAG	G00003-a5-T1-B5-Rm4-P0-L3	75°-1T-200w-750CL-125L-MAG	G00003-a6-T1-B5-Rm4-P0-L3	90°-1T-200w-750CL-125L-MAG
G00003-a4-T2-B5-Rm4-P6-L3	60°-2T-200w-750CL-P195-125L-MAG	G00003-a5-T2-B5-Rm4-P6-L3	75°-2T-200w-750CL-P195-125L-MAG	G00003-a6-T2-B5-Rm4-P6-L3	90°-2T-200w-750CL-P195-125L-MAG
G00003-a4-T3-B5-Rm4-P6-L3	60°-3T-200w-750CL-P195-125L-MAG	G00003-a5-T3-B5-Rm4-P6-L3	75°-3T-200w-750CL-P195-125L-MAG	G00003-a6-T3-B5-Rm4-P6-L3	90°-3T-200w-750CL-P195-125L-MAG

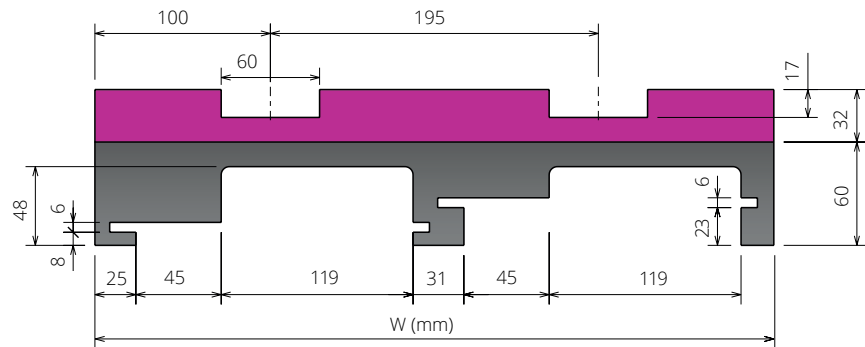
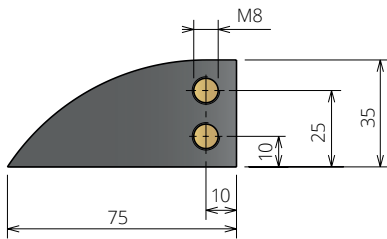
NON STANDARD SIZES ARE AVAILABLE ON REQUEST.
STANDARD ORDER QTY: PER SET





SINGLE TRACK - G00003-a6-T1-B5-Rm4-P0-L0

TRACKS	W
1	200
2	395
3	590

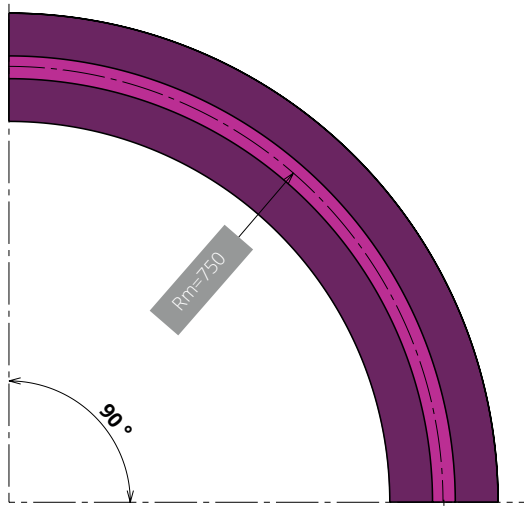


MULTI TRACK - G00003-a6-T2-B5-Rm4-P6-L0

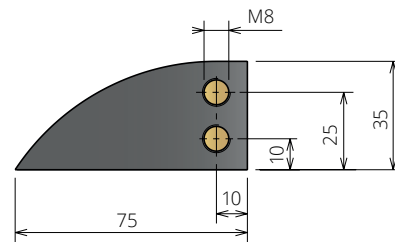
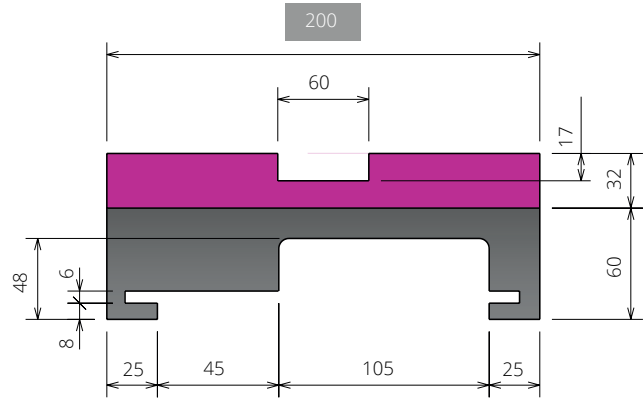
Rm = 750mm - MULTI TRACK - NO LEAD IN / LEAD OUT

$\alpha 15^\circ$		$\alpha 30^\circ$		$\alpha 45^\circ$	
CODE	DESCRIPTION	CODE	DESCRIPTION	CODE	DESCRIPTION
G00003-a1-T1-B5-Rm4-P0-L0	15°-1T-200w-750CL-0L-MAG	G00003-a2-T1-B5-Rm4-P0-L0	30°-1T-200w-750CL-0L-MAG	G00003-a3-T1-B5-Rm4-P0-L0	45°-1T-200w-750CL-0L-MAG
G00003-a1-T2-B5-Rm4-P6-L0	15°-2T-200w-750CL-P195-0L-MAG	G00003-a2-T2-B5-Rm4-P6-L0	30°-2T-200w-750CL-P195-0L-MAG	G00003-a3-T2-B5-Rm4-P6-L0	45°-2T-200w-750CL-P195-0L-MAG
G00003-a1-T3-B5-Rm4-P6-L0	15°-3T-200w-750CL-P195-0L-MAG	G00003-a2-T3-B5-Rm4-P6-L0	30°-3T-200w-750CL-P195-0L-MAG	G00003-a3-T3-B5-Rm4-P6-L0	45°-3T-200w-750CL-P195-0L-MAG
$\alpha 60^\circ$		$\alpha 75^\circ$		$\alpha 90^\circ$	
CODE	DESCRIPTION	CODE	DESCRIPTION	CODE	DESCRIPTION
G00003-a4-T1-B5-Rm4-P0-L0	60°-1T-200w-750CL-0L-MAG	G00003-a5-T1-B5-Rm4-P0-L0	75°-1T-200w-750CL-0L-MAG	G00003-a6-T1-B5-Rm4-P0-L0	90°-1T-200w-750CL-0L-MAG
G00003-a4-T2-B5-Rm4-P6-L0	60°-2T-200w-750CL-P195-0L-MAG	G00003-a5-T2-B5-Rm4-P6-L0	75°-2T-200w-750CL-P195-0L-MAG	G00003-a6-T2-B5-Rm4-P6-L0	90°-2T-200w-750CL-P195-0L-MAG
G00003-a4-T3-B5-Rm4-P6-L0	60°-3T-200w-750CL-P195-0L-MAG	G00003-a5-T3-B5-Rm4-P6-L0	75°-3T-200w-750CL-P195-0L-MAG	G00003-a6-T3-B5-Rm4-P6-L0	90°-3T-200w-750CL-P195-0L-MAG

NON STANDARD SIZES ARE AVAILABLE ON REQUEST.
STANDARD ORDER QTY: PER SET



IN & OUT AVAILABLE ALSO 125mm - 100mm - 50mm



Rm = 750mm - SINGLE TRACK

α 15°		α 30°		α 45°	
CODE	DESCRIPTION	CODE	DESCRIPTION	CODE	DESCRIPTION
G00003-a1-T1-B5-Rm4-P0-L0	15°-1T-200w-750CL-0L-MAG	G00003-a2-T1-B5-Rm4-P0-L0	30°-1T-200w-750CL-0L-MAG	G00003-a3-T1-B5-Rm4-P0-L0	45°-1T-200w-750CL-0L-MAG
G00003-a1-T1-B5-Rm4-P0-L1	15°-1T-200w-750CL-50L-MAG	G00003-a2-T1-B5-Rm4-P0-L1	30°-1T-200w-750CL-50L-MAG	G00003-a3-T1-B5-Rm4-P0-L1	45°-1T-200w-750CL-50L-MAG
G00003-a1-T1-B5-Rm4-P0-L2	15°-1T-200w-750CL-100L-MAG	G00003-a2-T1-B5-Rm4-P0-L2	30°-1T-200w-750CL-100L-MAG	G00003-a3-T1-B5-Rm4-P0-L2	45°-1T-200w-750CL-100L-MAG
G00003-a1-T1-B5-Rm4-P0-L3	15°-1T-200w-750CL-125L-MAG	G00003-a2-T1-B5-Rm4-P0-L3	30°-1T-200w-750CL-125L-MAG	G00003-a3-T1-B5-Rm4-P0-L3	45°-1T-200w-750CL-125L-MAG
α 60°		α 75°		α 90°	
CODE	DESCRIPTION	CODE	DESCRIPTION	CODE	DESCRIPTION
G00003-a4-T1-B5-Rm4-P0-L0	60°-1T-200w-750CL-0L-MAG	G00003-a5-T1-B5-Rm4-P0-L0	75°-1T-200w-750CL-0L-MAG	G00003-a6-T1-B5-Rm4-P0-L0	90°-1T-200w-750CL-0L-MAG
G00003-a4-T1-B5-Rm4-P0-L1	60°-1T-200w-750CL-50L-MAG	G00003-a5-T1-B5-Rm4-P0-L1	75°-1T-200w-750CL-50L-MAG	G00003-a6-T1-B5-Rm4-P0-L1	90°-1T-200w-750CL-50L-MAG
G00003-a4-T1-B5-Rm4-P0-L2	60°-1T-200w-750CL-100L-MAG	G00003-a5-T1-B5-Rm4-P0-L2	75°-1T-200w-750CL-100L-MAG	G00003-a6-T1-B5-Rm4-P0-L2	90°-1T-200w-750CL-100L-MAG
G00003-a4-T1-B5-Rm4-P0-L3	60°-1T-200w-750CL-125L-MAG	G00003-a5-T1-B5-Rm4-P0-L3	75°-1T-200w-750CL-125L-MAG	G00003-a6-T1-B5-Rm4-P0-L3	90°-1T-200w-750CL-125L-MAG

NON STANDARD SIZES ARE AVAILABLE ON REQUEST.
STANDARD ORDER QTY: PER SET



CHAINS/BELTS
PG. A8 & PG. B15



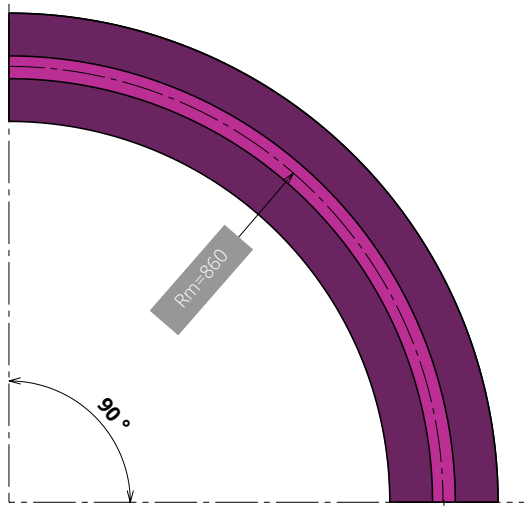
MATERIALS



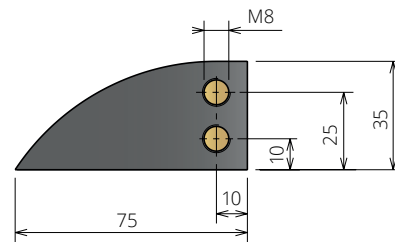
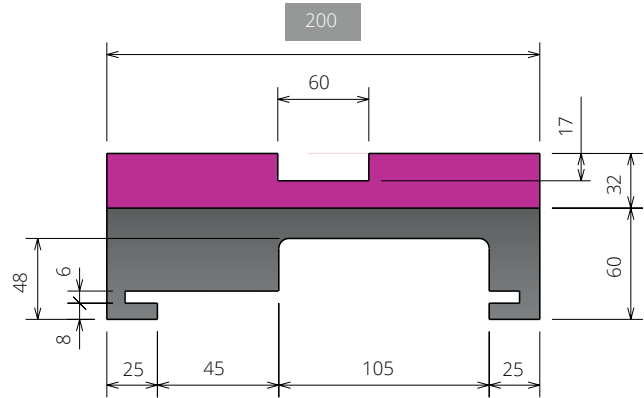
TABLE OF
CONTENTS



BACK TO CORNER TRACKS/
CURVES/BENDS INDEX (G)



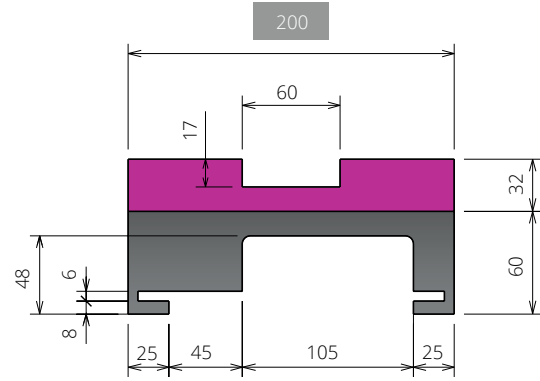
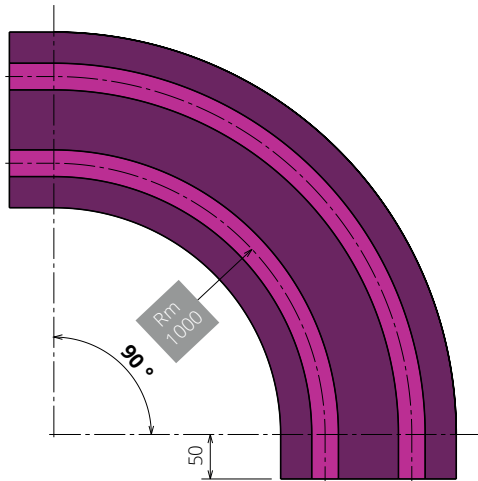
IN & OUT AVAILABLE ALSO 125mm - 100mm - 50mm



Rm = 860mm - SINGLE TRACK

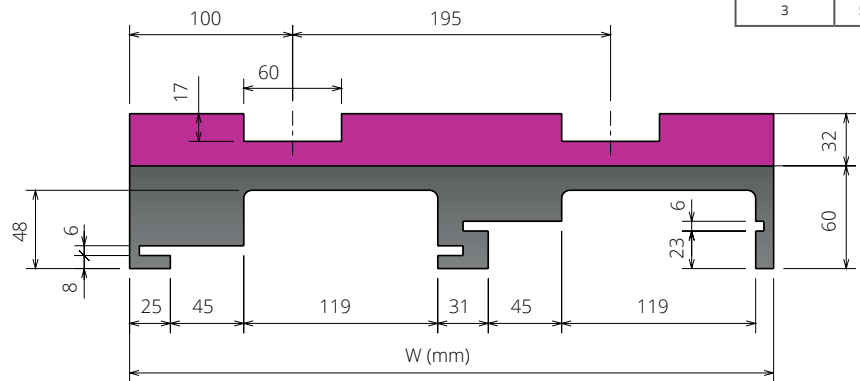
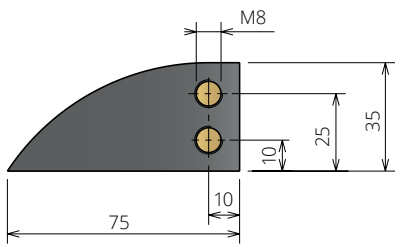
$\alpha 15^\circ$		$\alpha 30^\circ$		$\alpha 45^\circ$	
CODE	DESCRIPTION	CODE	DESCRIPTION	CODE	DESCRIPTION
G00003-a1-T1-B5-Rm5-P0-L0	15°-1T-200w-860CL-0L-MAG	G00003-a2-T1-B5-Rm5-P0-L0	30°-1T-200w-860CL-0L-MAG	G00003-a3-T1-B5-Rm5-P0-L0	45°-1T-200w-860CL-0L-MAG
G00003-a1-T1-B5-Rm5-P0-L1	15°-1T-200w-860CL-50L-MAG	G00003-a2-T1-B5-Rm5-P0-L1	30°-1T-200w-860CL-50L-MAG	G00003-a3-T1-B5-Rm5-P0-L1	45°-1T-200w-860CL-50L-MAG
G00003-a1-T1-B5-Rm5-P0-L2	15°-1T-200w-860CL-100L-MAG	G00003-a2-T1-B5-Rm5-P0-L2	30°-1T-200w-860CL-100L-MAG	G00003-a3-T1-B5-Rm5-P0-L2	45°-1T-200w-860CL-100L-MAG
G00003-a1-T1-B5-Rm5-P0-L3	15°-1T-200w-860CL-125L-MAG	G00003-a2-T1-B5-Rm5-P0-L3	30°-1T-200w-860CL-125L-MAG	G00003-a3-T1-B5-Rm5-P0-L3	45°-1T-200w-860CL-125L-MAG
$\alpha 60^\circ$		$\alpha 75^\circ$		$\alpha 90^\circ$	
CODE	DESCRIPTION	CODE	DESCRIPTION	CODE	DESCRIPTION
G00003-a4-T1-B5-Rm5-P0-L0	60°-1T-200w-860CL-0L-MAG	G00003-a5-T1-B5-Rm5-P0-L0	75°-1T-200w-860CL-0L-MAG	G00003-a6-T1-B5-Rm5-P0-L0	90°-1T-200w-860CL-0L-MAG
G00003-a4-T1-B5-Rm5-P0-L1	60°-1T-200w-860CL-50L-MAG	G00003-a5-T1-B5-Rm5-P0-L1	75°-1T-200w-860CL-50L-MAG	G00003-a6-T1-B5-Rm5-P0-L1	90°-1T-200w-860CL-50L-MAG
G00003-a4-T1-B5-Rm5-P0-L2	60°-1T-200w-860CL-100L-MAG	G00003-a5-T1-B5-Rm5-P0-L2	75°-1T-200w-860CL-100L-MAG	G00003-a6-T1-B5-Rm5-P0-L2	90°-1T-200w-860CL-100L-MAG
G00003-a4-T1-B5-Rm5-P0-L3	60°-1T-200w-860CL-125L-MAG	G00003-a5-T1-B5-Rm5-P0-L3	75°-1T-200w-860CL-125L-MAG	G00003-a6-T1-B5-Rm5-P0-L3	90°-1T-200w-860CL-125L-MAG

NON STANDARD SIZES ARE AVAILABLE ON REQUEST.
STANDARD ORDER QTY: PER SET



SINGLE TRACK - G00003-a6-T1-B5-Rm6-P0-L1

TRACKS	W
1	200
2	395
3	590

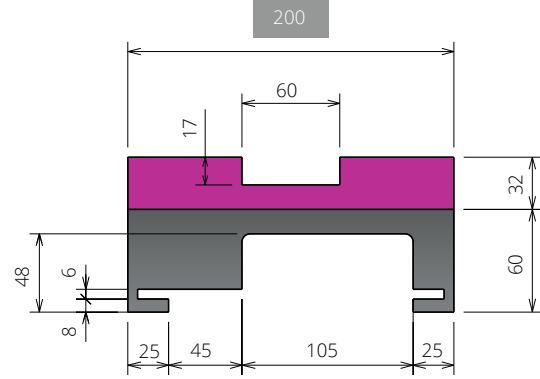
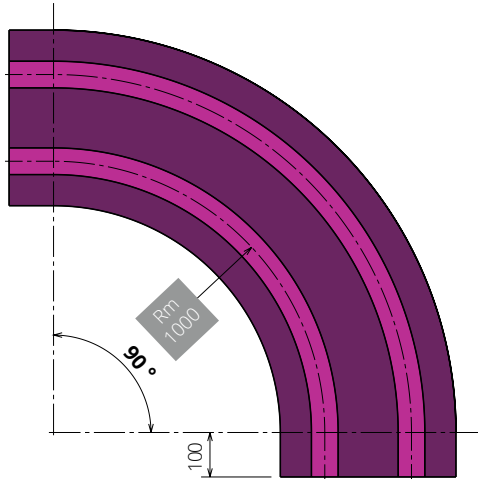


MULTI TRACK - G00003-a6-T2-B5-Rm6-P6-L1

Rm = 750mm - MULTI TRACK - 50mm LEAD IN / LEAD OUT

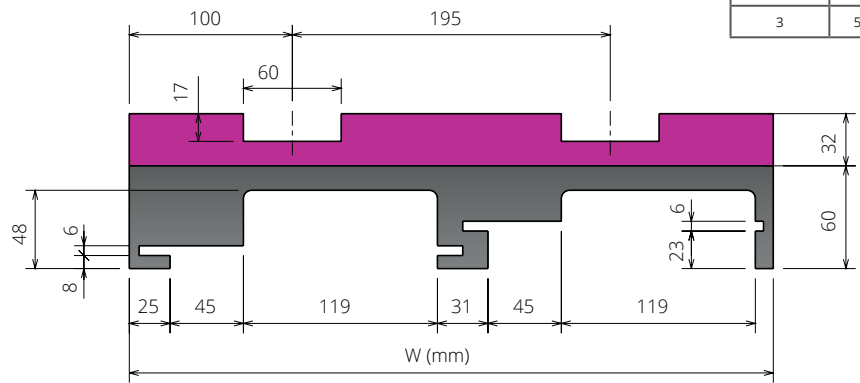
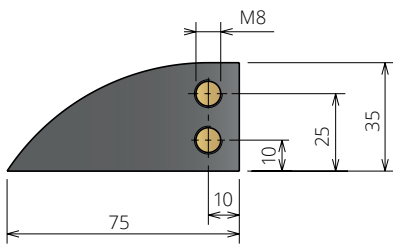
α 15°		α 30°		α 45°	
CODE	DESCRIPTION	CODE	DESCRIPTION	CODE	DESCRIPTION
G00003-a1-T1-B5-Rm6-P0-L1	15°-1T-200w-1000CL-50L-MAG	G00003-a2-T1-B5-Rm6-P0-L1	30°-1T-200w-1000CL-50L-MAG	G00003-a3-T1-B5-Rm6-P0-L1	45°-1T-200w-1000CL-50L-MAG
G00003-a1-T2-B5-Rm6-P6-L1	15°-2T-200w-1000CL-P195-50L-MAG	G00003-a2-T2-B5-Rm6-P6-L1	30°-2T-200w-1000CL-P195-50L-MAG	G00003-a3-T2-B5-Rm6-P6-L1	45°-2T-200w-1000CL-P195-50L-MAG
G00003-a1-T3-B5-Rm6-P6-L1	15°-3T-200w-1000CL-P195-50L-MAG	G00003-a2-T3-B5-Rm6-P6-L1	30°-3T-200w-1000CL-P195-50L-MAG	G00003-a3-T3-B5-Rm6-P6-L1	45°-3T-200w-1000CL-P195-50L-MAG
α 60°		α 75°		α 90°	
CODE	DESCRIPTION	CODE	DESCRIPTION	CODE	DESCRIPTION
G00003-a4-T1-B5-Rm6-P0-L1	60°-1T-200w-1000CL-50L-MAG	G00003-a5-T1-B5-Rm6-P0-L1	75°-1T-200w-1000CL-50L-MAG	G00003-a6-T1-B5-Rm6-P0-L1	90°-1T-200w-1000CL-50L-MAG
G00003-a4-T2-B5-Rm6-P6-L1	60°-2T-200w-1000CL-P195-50L-MAG	G00003-a5-T2-B5-Rm6-P6-L1	75°-2T-200w-1000CL-P195-50L-MAG	G00003-a6-T2-B5-Rm6-P6-L1	90°-2T-200w-1000CL-P195-50L-MAG
G00003-a4-T3-B5-Rm6-P6-L1	60°-3T-200w-1000CL-P195-50L-MAG	G00003-a5-T3-B5-Rm6-P6-L1	75°-3T-200w-1000CL-P195-50L-MAG	G00003-a6-T3-B5-Rm6-P6-L1	90°-3T-200w-1000CL-P195-50L-MAG

NON STANDARD SIZES ARE AVAILABLE ON REQUEST.
STANDARD ORDER QTY: PER SET



SINGLE TRACK - G00003-a6-T1-B5-Rm6-P0-L2

TRACKS	W
1	200
2	395
3	590

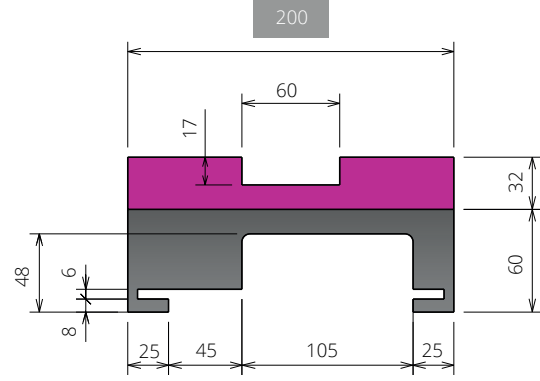
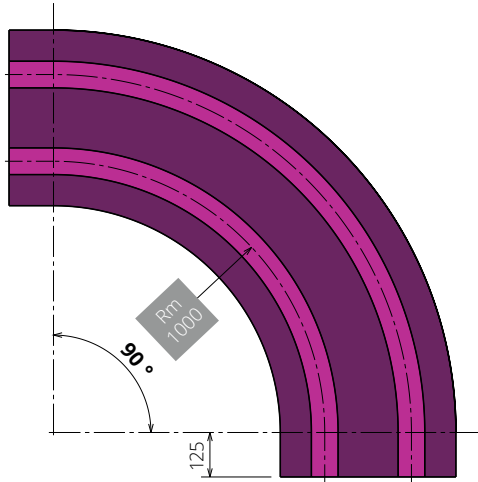


MULTI TRACK - G00003-a6-T2-B5-Rm6-P6-L2

Rm = 750mm - MULTI TRACK - 50mm LEAD IN / LEAD OUT

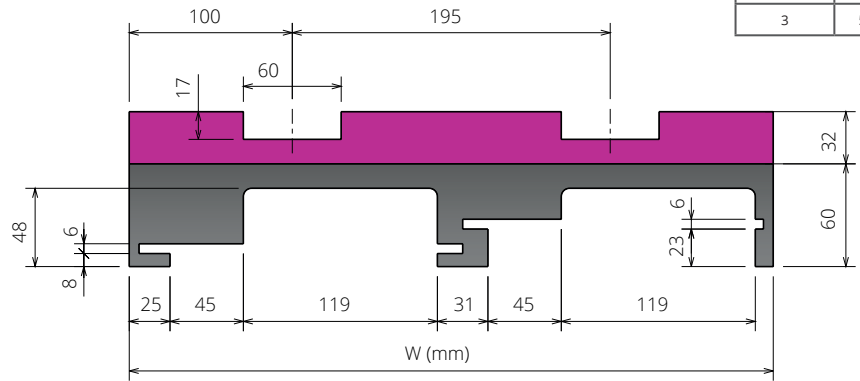
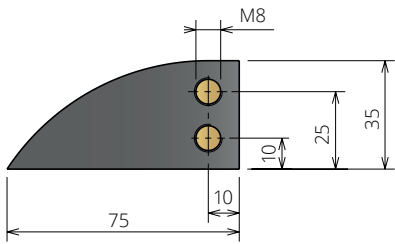
$\alpha 15^\circ$		$\alpha 30^\circ$		$\alpha 45^\circ$	
CODE	DESCRIPTION	CODE	DESCRIPTION	CODE	DESCRIPTION
G00003-a1-T1-B5-Rm6-P0-L2	15°-1T-200w-1000CL-100L-MAG	G00003-a2-T1-B5-Rm6-P0-L2	30°-1T-200w-1000CL-100L-MAG	G00003-a3-T1-B5-Rm6-P0-L2	45°-1T-200w-1000CL-100L-MAG
G00003-a1-T2-B5-Rm6-P6-L2	15°-2T-200w-1000CL-P195-100L-MAG	G00003-a2-T2-B5-Rm6-P6-L2	30°-2T-200w-1000CL-P195-100L-MAG	G00003-a3-T2-B5-Rm6-P6-L2	45°-2T-200w-1000CL-P195-100L-MAG
G00003-a1-T3-B5-Rm6-P6-L2	15°-3T-200w-1000CL-P195-100L-MAG	G00003-a2-T3-B5-Rm6-P6-L2	30°-3T-200w-1000CL-P195-100L-MAG	G00003-a3-T3-B5-Rm6-P6-L2	45°-3T-200w-1000CL-P195-100L-MAG
$\alpha 60^\circ$		$\alpha 75^\circ$		$\alpha 90^\circ$	
CODE	DESCRIPTION	CODE	DESCRIPTION	CODE	DESCRIPTION
G00003-a4-T1-B5-Rm6-P0-L2	60°-1T-200w-1000CL-100L-MAG	G00003-a5-T1-B5-Rm6-P0-L2	75°-1T-200w-1000CL-100L-MAG	G00003-a6-T1-B5-Rm6-P0-L2	90°-1T-200w-1000CL-100L-MAG
G00003-a4-T2-B5-Rm6-P6-L2	60°-2T-200w-1000CL-P195-100L-MAG	G00003-a5-T2-B5-Rm6-P6-L2	75°-2T-200w-1000CL-P195-100L-MAG	G00003-a6-T2-B5-Rm6-P6-L2	90°-2T-200w-1000CL-P195-100L-MAG
G00003-a4-T3-B5-Rm6-P6-L2	60°-3T-200w-1000CL-P195-100L-MAG	G00003-a5-T3-B5-Rm6-P6-L2	75°-3T-200w-1000CL-P195-100L-MAG	G00003-a6-T3-B5-Rm6-P6-L2	90°-3T-200w-1000CL-P195-100L-MAG

NON STANDARD SIZES ARE AVAILABLE ON REQUEST.
STANDARD ORDER QTY: PER SET



SINGLE TRACK - G00003-a6-T1-B5-Rm6-P0-L3

TRACKS	W
1	200
2	395
3	590



MULTI TRACK - G00003-a6-T2-B5-Rm6-P6-L3

Rm = 750mm - MULTI TRACK - 50mm LEAD IN / LEAD OUT

$\alpha 15^\circ$		$\alpha 30^\circ$		$\alpha 45^\circ$	
CODE	DESCRIPTION	CODE	DESCRIPTION	CODE	DESCRIPTION
G00003-a1-T1-B5-Rm6-P0-L3	15°-1T-200w-1000CL-125L-MAG	G00003-a2-T1-B5-Rm6-P0-L3	30°-1T-200w-1000CL-125L-MAG	G00003-a3-T1-B5-Rm6-P0-L3	45°-1T-200w-1000CL-125L-MAG
G00003-a1-T2-B5-Rm6-P6-L3	15°-2T-200w-1000CL-P195-125L-MAG	G00003-a2-T2-B5-Rm6-P6-L3	30°-2T-200w-1000CL-P195-125L-MAG	G00003-a3-T2-B5-Rm6-P6-L3	45°-2T-200w-1000CL-P195-125L-MAG
G00003-a1-T3-B5-Rm6-P6-L3	15°-3T-200w-1000CL-P195-125L-MAG	G00003-a2-T3-B5-Rm6-P6-L3	30°-3T-200w-1000CL-P195-125L-MAG	G00003-a3-T3-B5-Rm6-P6-L3	45°-3T-200w-1000CL-P195-125L-MAG
$\alpha 60^\circ$		$\alpha 75^\circ$		$\alpha 90^\circ$	
CODE	DESCRIPTION	CODE	DESCRIPTION	CODE	DESCRIPTION
G00003-a4-T1-B5-Rm6-P0-L3	60°-1T-200w-1000CL-125L-MAG	G00003-a5-T1-B5-Rm6-P0-L3	75°-1T-200w-1000CL-125L-MAG	G00003-a6-T1-B5-Rm6-P0-L3	90°-1T-200w-1000CL-125L-MAG
G00003-a4-T2-B5-Rm6-P6-L3	60°-2T-200w-1000CL-P195-125L-MAG	G00003-a5-T2-B5-Rm6-P6-L3	75°-2T-200w-1000CL-P195-125L-MAG	G00003-a6-T2-B5-Rm6-P6-L3	90°-2T-200w-1000CL-P195-125L-MAG
G00003-a4-T3-B5-Rm6-P6-L3	60°-3T-200w-1000CL-P195-125L-MAG	G00003-a5-T3-B5-Rm6-P6-L3	75°-3T-200w-1000CL-P195-125L-MAG	G00003-a6-T3-B5-Rm6-P6-L3	90°-3T-200w-1000CL-P195-125L-MAG

NON STANDARD SIZES ARE AVAILABLE ON REQUEST.
STANDARD ORDER QTY: PER SET



CHAINS/BELTS
PG. A8 & PG. B15



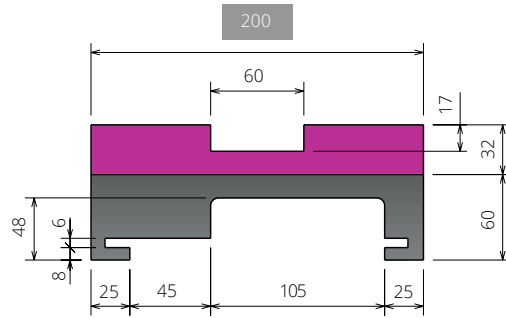
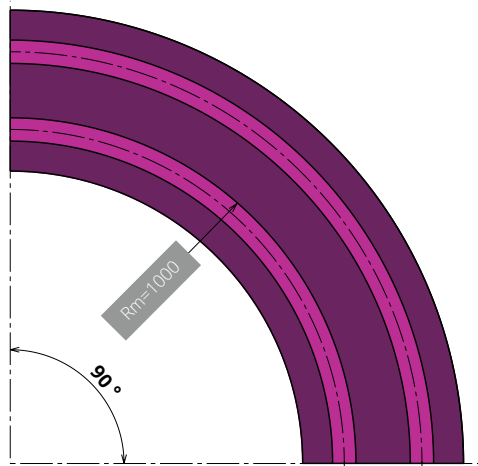
MATERIALS



TABLE OF
CONTENTS

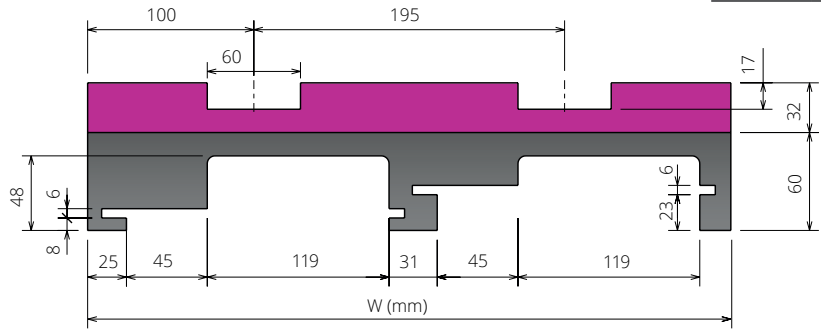
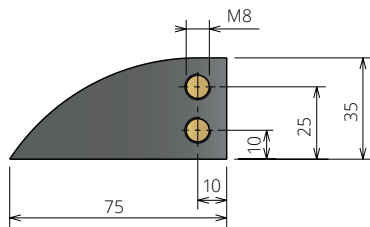


BACK TO CORNER TRACKS/
CURVES/BENDS INDEX (G)



SINGLE TRACK - G00003-a6-T1-B5-Rm6-P0-L0

TRACKS	W
1	200
2	395
3	590

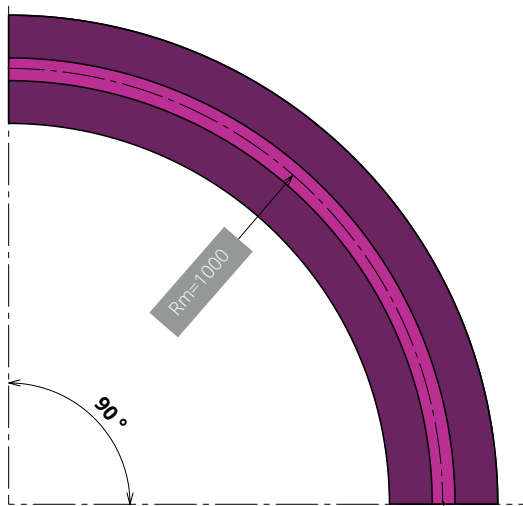


MULTI TRACK - G00003-a6-T2-B5-Rm6-P6-L0

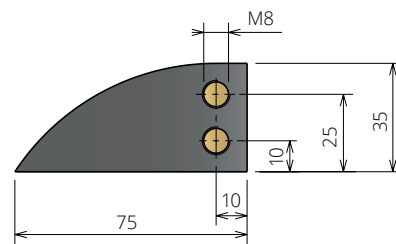
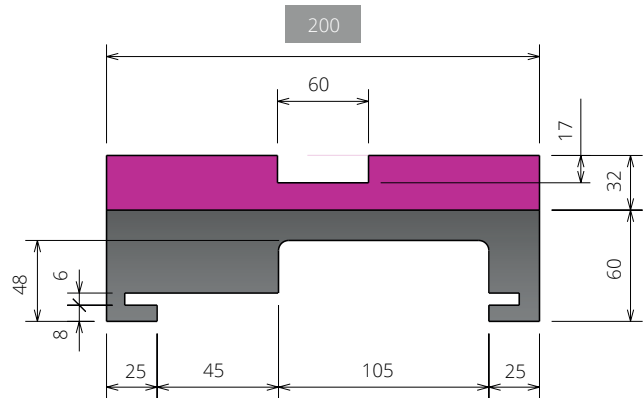
Rm = 1000mm - MULTI TRACK - NO LEAD IN / LEAD OUT

$\alpha 15^\circ$		$\alpha 30^\circ$		$\alpha 45^\circ$	
CODE	DESCRIPTION	CODE	DESCRIPTION	CODE	DESCRIPTION
G00003-a1-T1-B5-Rm6-P0-L0	15°-1T-200w-1000CL-0L-MAG	G00003-a2-T1-B5-Rm6-P0-L0	30°-1T-200w-1000CL-0L-MAG	G00003-a3-T1-B5-Rm6-P0-L0	45°-1T-200w-1000CL-0L-MAG
G00003-a1-T2-B5-Rm6-P6-L0	15°-2T-200w-1000CL-P195-0L-MAG	G00003-a2-T2-B5-Rm6-P6-L0	30°-2T-200w-1000CL-P195-0L-MAG	G00003-a3-T2-B5-Rm6-P6-L0	45°-2T-200w-1000CL-P195-0L-MAG
G00003-a1-T3-B5-Rm6-P6-L0	15°-3T-200w-1000CL-P195-0L-MAG	G00003-a2-T3-B5-Rm6-P6-L0	30°-3T-200w-1000CL-P195-0L-MAG	G00003-a3-T3-B5-Rm6-P6-L0	45°-3T-200w-1000CL-P195-0L-MAG
$\alpha 60^\circ$		$\alpha 75^\circ$		$\alpha 90^\circ$	
CODE	DESCRIPTION	CODE	DESCRIPTION	CODE	DESCRIPTION
G00003-a4-T1-B5-Rm6-P0-L0	60°-1T-200w-1000CL-0L-MAG	G00003-a5-T1-B5-Rm6-P0-L0	75°-1T-200w-1000CL-0L-MAG	G00003-a6-T1-B5-Rm6-P0-L0	90°-1T-200w-1000CL-0L-MAG
G00003-a4-T2-B5-Rm6-P6-L0	60°-2T-200w-1000CL-P195-0L-MAG	G00003-a5-T2-B5-Rm6-P6-L0	75°-2T-200w-1000CL-P195-0L-MAG	G00003-a6-T2-B5-Rm6-P6-L0	90°-2T-200w-1000CL-P195-0L-MAG
G00003-a4-T3-B5-Rm6-P6-L0	60°-3T-200w-1000CL-P195-0L-MAG	G00003-a5-T3-B5-Rm6-P6-L0	75°-3T-200w-1000CL-P195-0L-MAG	G00003-a6-T3-B5-Rm6-P6-L0	90°-3T-200w-1000CL-P195-0L-MAG

NON STANDARD SIZES ARE AVAILABLE ON REQUEST.
STANDARD ORDER QTY: PER SET



IN & OUT AVAILABLE ALSO 125mm - 100mm - 50mm



Rm = 1000mm - SINGLE TRACK

$\alpha 15^\circ$		$\alpha 30^\circ$		$\alpha 45^\circ$	
CODE	DESCRIPTION	CODE	DESCRIPTION	CODE	DESCRIPTION
G00003-a1-T1-B5-Rm6-P0-L0	15°-1T-200w-1000CL-0L-MAG	G00003-a2-T1-B5-Rm6-P0-L0	30°-1T-200w-1000CL-0L-MAG	G00003-a3-T1-B5-Rm6-P0-L0	45°-1T-200w-1000CL-0L-MAG
G00003-a1-T1-B5-Rm6-P0-L1	15°-1T-200w-1000CL-50L-MAG	G00003-a2-T1-B5-Rm6-P0-L1	30°-1T-200w-1000CL-50L-MAG	G00003-a3-T1-B5-Rm6-P0-L1	45°-1T-200w-1000CL-50L-MAG
G00003-a1-T1-B5-Rm6-P0-L2	15°-1T-200w-1000CL-100L-MAG	G00003-a2-T1-B5-Rm6-P0-L2	30°-1T-200w-1000CL-100L-MAG	G00003-a3-T1-B5-Rm6-P0-L2	45°-1T-200w-1000CL-100L-MAG
G00003-a1-T1-B5-Rm6-P0-L3	15°-1T-200w-1000CL-125L-MAG	G00003-a2-T1-B5-Rm6-P0-L3	30°-1T-200w-1000CL-125L-MAG	G00003-a3-T1-B5-Rm6-P0-L3	45°-1T-200w-1000CL-125L-MAG
$\alpha 60^\circ$		$\alpha 75^\circ$		$\alpha 90^\circ$	
CODE	DESCRIPTION	CODE	DESCRIPTION	CODE	DESCRIPTION
G00003-a4-T1-B5-Rm6-P0-L0	60°-1T-200w-1000CL-0L-MAG	G00003-a5-T1-B5-Rm6-P0-L0	75°-1T-200w-1000CL-0L-MAG	G00003-a6-T1-B5-Rm6-P0-L0	90°-1T-200w-1000CL-0L-MAG
G00003-a4-T1-B5-Rm6-P0-L1	60°-1T-200w-1000CL-50L-MAG	G00003-a5-T1-B5-Rm6-P0-L1	75°-1T-200w-1000CL-50L-MAG	G00003-a6-T1-B5-Rm6-P0-L1	90°-1T-200w-1000CL-50L-MAG
G00003-a4-T1-B5-Rm6-P0-L2	60°-1T-200w-1000CL-100L-MAG	G00003-a5-T1-B5-Rm6-P0-L2	75°-1T-200w-1000CL-100L-MAG	G00003-a6-T1-B5-Rm6-P0-L2	90°-1T-200w-1000CL-100L-MAG
G00003-a4-T1-B5-Rm6-P0-L3	60°-1T-200w-1000CL-125L-MAG	G00003-a5-T1-B5-Rm6-P0-L3	75°-1T-200w-1000CL-125L-MAG	G00003-a6-T1-B5-Rm6-P0-L3	90°-1T-200w-1000CL-125L-MAG

NON STANDARD SIZES ARE AVAILABLE ON REQUEST.
STANDARD ORDER QTY: PER SET



CHAINS/BELTS
PG. A8 & PG. B15



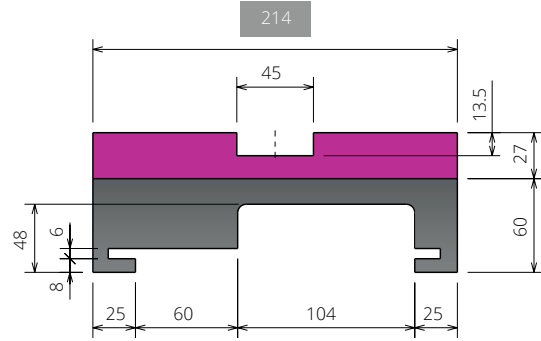
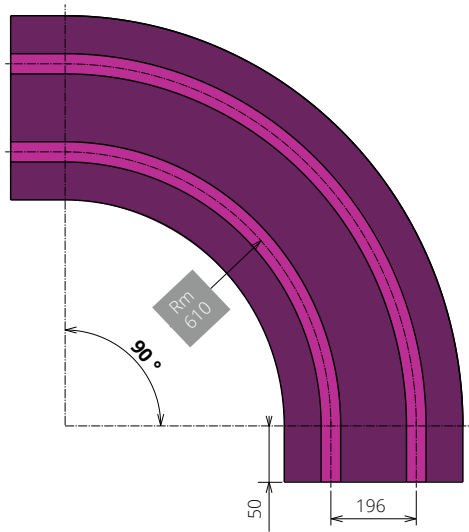
MATERIALS



TABLE OF
CONTENTS

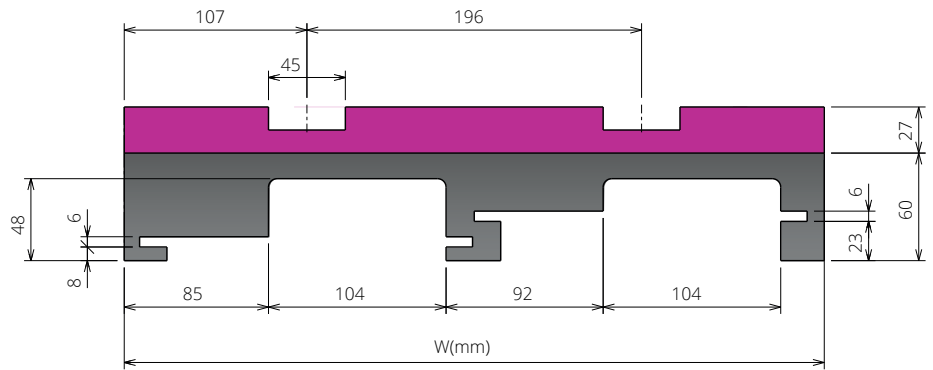
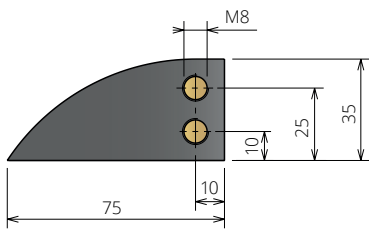


BACK TO CORNER TRACKS/
CURVES/BENDS INDEX (G)



SINGLE TRACK - G00003-a6-T1-B6-Rm2-P0-L1

TRACKS	W
1	214
2	410
3	606

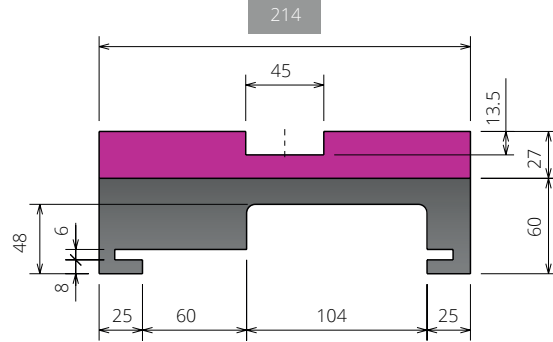
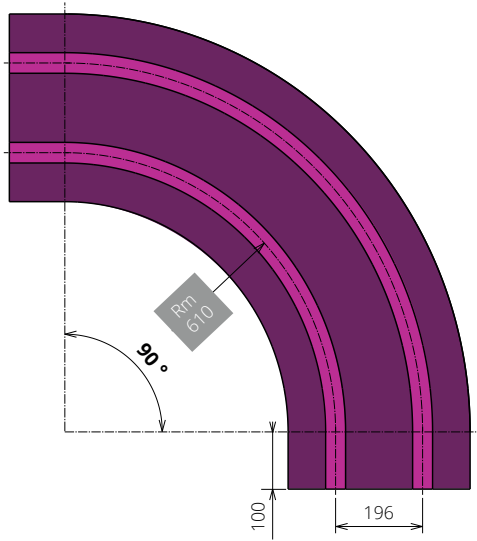


MULTI TRACK - G00003-a6-T2-B6-Rm2-P7-L1

Rm = 610mm - MULTI TRACK - 50mm LEAD IN / LEAD OUT

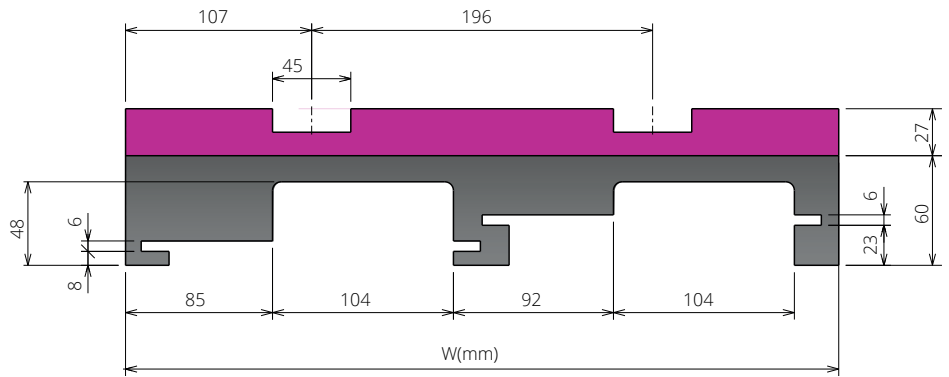
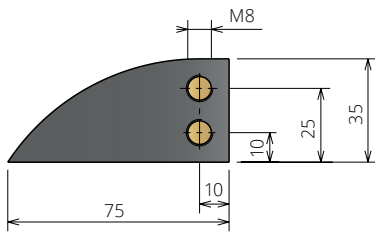
$\alpha 15^\circ$		$\alpha 30^\circ$		$\alpha 45^\circ$	
CODE	DESCRIPTION	CODE	DESCRIPTION	CODE	DESCRIPTION
G00003-a1-T1-B6-Rm2-P0-L1	15°-1T-214w-610CL-50L-MAG	G00003-a2-T1-B6-Rm2-P0-L1	30°-1T-214w-610CL-50L-MAG	G00003-a3-T1-B6-Rm2-P0-L1	45°-1T-214w-610CL-50L-MAG
G00003-a1-T2-B6-Rm2-P7-L1	15°-2T-214w-610CL-P196-50L-MAG	G00003-a2-T2-B6-Rm2-P7-L1	30°-2T-214w-610CL-P196-50L-MAG	G00003-a3-T2-B6-Rm2-P7-L1	45°-2T-214w-610CL-P196-50L-MAG
G00003-a1-T3-B6-Rm2-P7-L1	15°-3T-214w-610CL-P196-50L-MAG	G00003-a2-T3-B6-Rm2-P7-L1	30°-3T-214w-610CL-P196-50L-MAG	G00003-a3-T3-B6-Rm2-P7-L1	45°-3T-214w-610CL-P196-50L-MAG
$\alpha 60^\circ$		$\alpha 75^\circ$		$\alpha 90^\circ$	
CODE	DESCRIPTION	CODE	DESCRIPTION	CODE	DESCRIPTION
G00003-a4-T1-B6-Rm2-P0-L1	60°-1T-214w-610CL-50L-MAG	G00003-a5-T1-B6-Rm2-P0-L1	75°-1T-214w-610CL-50L-MAG	G00003-a6-T1-B6-Rm2-P0-L1	90°-1T-214w-610CL-50L-MAG
G00003-a4-T2-B6-Rm2-P7-L1	60°-2T-214w-610CL-P196-50L-MAG	G00003-a5-T2-B6-Rm2-P7-L1	75°-2T-214w-610CL-P196-50L-MAG	G00003-a6-T2-B6-Rm2-P7-L1	90°-2T-214w-610CL-P196-50L-MAG
G00003-a4-T3-B6-Rm2-P7-L1	60°-3T-214w-610CL-P196-50L-MAG	G00003-a5-T3-B6-Rm2-P7-L1	75°-3T-214w-610CL-P196-50L-MAG	G00003-a6-T3-B6-Rm2-P7-L1	90°-3T-214w-610CL-P196-50L-MAG

NON STANDARD SIZES ARE AVAILABLE ON REQUEST.
STANDARD ORDER QTY: PER SET



SINGLE TRACK - G00003-a6-T1-B6-Rm2-P0-L2

TRACKS	W
1	214
2	410
3	606



MULTI TRACK - G00003-a6-T2-B6-Rm2-P7-L2

Rm = 610mm - MULTI TRACK - 100mm LEAD IN / LEAD OUT

$\alpha 15^\circ$		$\alpha 30^\circ$		$\alpha 45^\circ$	
CODE	DESCRIPTION	CODE	DESCRIPTION	CODE	DESCRIPTION
G00003-a1-T1-B6-Rm2-P0-L2	15°-1T-214w-610CL-100L-MAG	G00003-a2-T1-B6-Rm2-P0-L2	30°-1T-214w-610CL-100L-MAG	G00003-a3-T1-B6-Rm2-P0-L2	45°-1T-214w-610CL-100L-MAG
G00003-a1-T2-B6-Rm2-P7-L2	15°-2T-214w-610CL-P196-100L-MAG	G00003-a2-T2-B6-Rm2-P7-L2	30°-2T-214w-610CL-P196-100L-MAG	G00003-a3-T2-B6-Rm2-P7-L2	45°-2T-214w-610CL-P196-100L-MAG
G00003-a1-T3-B6-Rm2-P7-L2	15°-3T-214w-610CL-P196-100L-MAG	G00003-a2-T3-B6-Rm2-P7-L2	30°-3T-214w-610CL-P196-100L-MAG	G00003-a3-T3-B6-Rm2-P7-L2	45°-3T-214w-610CL-P196-100L-MAG
$\alpha 60^\circ$		$\alpha 75^\circ$		$\alpha 90^\circ$	
CODE	DESCRIPTION	CODE	DESCRIPTION	CODE	DESCRIPTION
G00003-a4-T1-B6-Rm2-P0-L2	60°-1T-214w-610CL-100L-MAG	G00003-a5-T1-B6-Rm2-P0-L2	75°-1T-214w-610CL-100L-MAG	G00003-a6-T1-B6-Rm2-P0-L2	90°-1T-214w-610CL-100L-MAG
G00003-a4-T2-B6-Rm2-P7-L2	60°-2T-214w-610CL-P196-100L-MAG	G00003-a5-T2-B6-Rm2-P7-L2	75°-2T-214w-610CL-P196-100L-MAG	G00003-a6-T2-B6-Rm2-P7-L2	90°-2T-214w-610CL-P196-100L-MAG
G00003-a4-T3-B6-Rm2-P7-L2	60°-3T-214w-610CL-P196-100L-MAG	G00003-a5-T3-B6-Rm2-P7-L2	75°-3T-214w-610CL-P196-100L-MAG	G00003-a6-T3-B6-Rm2-P7-L2	90°-3T-214w-610CL-P196-100L-MAG

NON STANDARD SIZES ARE AVAILABLE ON REQUEST.
STANDARD ORDER QTY: PER SET



CHAINS/BELTS
PG. A8 & PG. B15



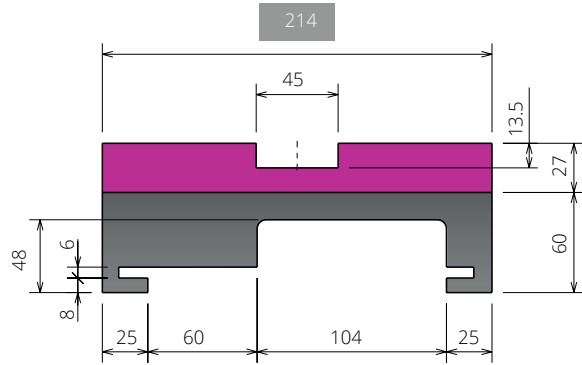
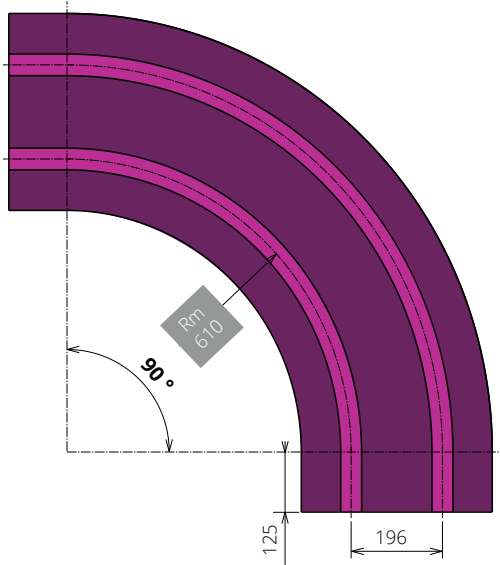
MATERIALS



TABLE OF
CONTENTS

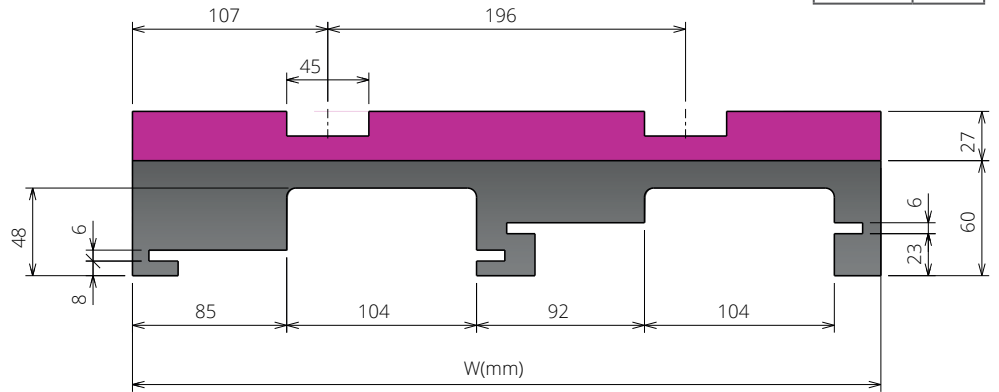
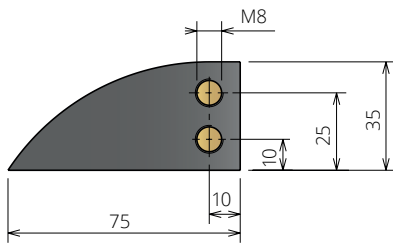


BACK TO CORNER TRACKS/
CURVES/BENDS INDEX (G)



SINGLE TRACK - G00003-a6-T1-B6-Rm2-P0-L3

TRACKS	W
1	214
2	410
3	606



MULTI TRACK - G00003-a6-T2-B6-Rm2-P7-L3

Rm = 610mm - MULTI TRACK - 125mm LEAD IN / LEAD OUT

α 15°		α 30°		α 45°	
CODE	DESCRIPTION	CODE	DESCRIPTION	CODE	DESCRIPTION
G00003-a1-T1-B6-Rm2-P0-L3	15°-1T-214w-610CL-125L-MAG	G00003-a2-T1-B6-Rm2-P0-L3	30°-1T-214w-610CL-125L-MAG	G00003-a3-T1-B6-Rm2-P0-L3	45°-1T-214w-610CL-125L-MAG
G00003-a1-T2-B6-Rm2-P7-L3	15°-2T-214w-610CL-P196-125L-MAG	G00003-a2-T2-B6-Rm2-P7-L3	30°-2T-214w-610CL-P196-125L-MAG	G00003-a3-T2-B6-Rm2-P7-L3	45°-2T-214w-610CL-P196-125L-MAG
G00003-a1-T3-B6-Rm2-P7-L3	15°-3T-214w-610CL-P196-125L-MAG	G00003-a2-T3-B6-Rm2-P7-L3	30°-3T-214w-610CL-P196-125L-MAG	G00003-a3-T3-B6-Rm2-P7-L3	45°-3T-214w-610CL-P196-125L-MAG
α 60°		α 75°		α 90°	
CODE	DESCRIPTION	CODE	DESCRIPTION	CODE	DESCRIPTION
G00003-a4-T1-B6-Rm2-P0-L3	60°-1T-214w-610CL-125L-MAG	G00003-a5-T1-B6-Rm2-P0-L3	75°-1T-214w-610CL-125L-MAG	G00003-a6-T1-B6-Rm2-P0-L3	90°-1T-214w-610CL-125L-MAG
G00003-a4-T2-B6-Rm2-P7-L3	60°-2T-214w-610CL-P196-125L-MAG	G00003-a5-T2-B6-Rm2-P7-L3	75°-2T-214w-610CL-P196-125L-MAG	G00003-a6-T2-B6-Rm2-P7-L3	90°-2T-214w-610CL-P196-125L-MAG
G00003-a4-T3-B6-Rm2-P7-L3	60°-3T-214w-610CL-P196-125L-MAG	G00003-a5-T3-B6-Rm2-P7-L3	75°-3T-214w-610CL-P196-125L-MAG	G00003-a6-T3-B6-Rm2-P7-L3	90°-3T-214w-610CL-P196-125L-MAG

NON STANDARD SIZES ARE AVAILABLE ON REQUEST.
STANDARD ORDER QTY: PER SET



CHAINS/BELTS
PG. A8 & PG. B15



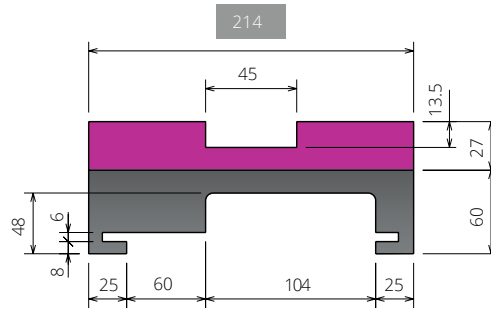
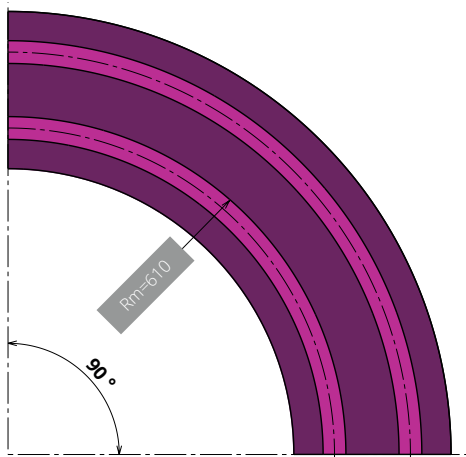
MATERIALS



TABLE OF
CONTENTS

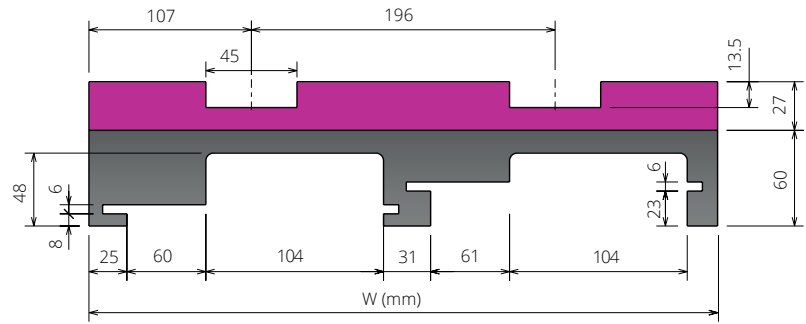
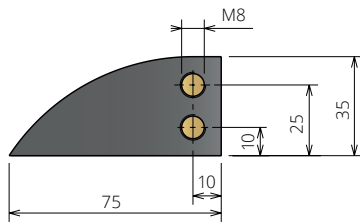


BACK TO CORNER TRACKS/
CURVES/BENDS INDEX (G)



SINGLE TRACK - G00003-a6-T1-B6-Rm2-P0-L0

TRACKS	W
1	214
2	410
3	606



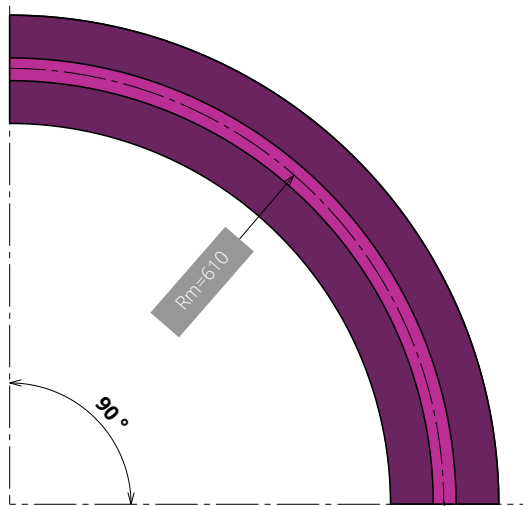
MULTI TRACK - G00003-a6-T2-B6-Rm2-P7-L0

Rm = 610mm - MULTI TRACK - NO LEAD IN / LEAD OUT

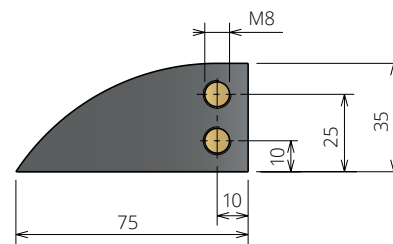
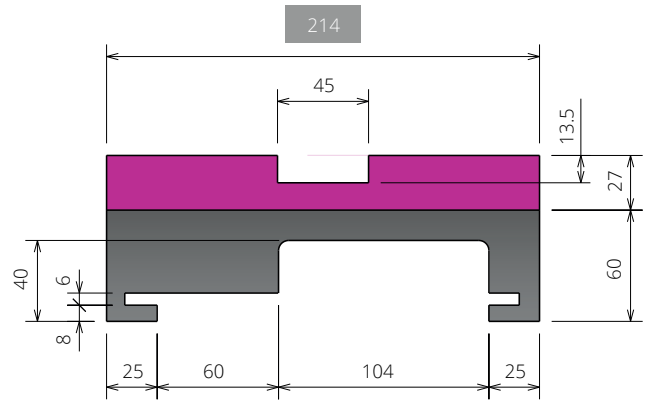
$\alpha 15^\circ$		$\alpha 30^\circ$		$\alpha 45^\circ$	
CODE	DESCRIPTION	CODE	DESCRIPTION	CODE	DESCRIPTION
G00003-a1-T1-B6-Rm2-P0-L0	15°-1T-214w-610CL-0L-MAG	G00003-a2-T1-B6-Rm2-P0-L0	30°-1T-214w-610CL-0L-MAG	G00003-a3-T1-B6-Rm2-P0-L0	45°-1T-214w-610CL-0L-MAG
G00003-a1-T2-B6-Rm2-P7-L0	15°-2T-214w-610CL-P196-0L-MAG	G00003-a2-T2-B6-Rm2-P7-L0	30°-2T-214w-610CL-P196-0L-MAG	G00003-a3-T2-B6-Rm2-P7-L0	45°-2T-214w-610CL-P196-0L-MAG
G00003-a1-T3-B6-Rm2-P7-L0	15°-3T-214w-610CL-P196-0L-MAG	G00003-a2-T3-B6-Rm2-P7-L0	30°-3T-214w-610CL-P196-0L-MAG	G00003-a3-T3-B6-Rm2-P7-L0	45°-3T-214w-610CL-P196-0L-MAG
$\alpha 60^\circ$		$\alpha 75^\circ$		$\alpha 90^\circ$	
CODE	DESCRIPTION	CODE	DESCRIPTION	CODE	DESCRIPTION
G00003-a4-T1-B6-Rm2-P0-L0	60°-1T-214w-610CL-0L-MAG	G00003-a5-T1-B6-Rm2-P0-L0	75°-1T-214w-610CL-0L-MAG	G00003-a6-T1-B6-Rm2-P0-L0	90°-1T-214w-610CL-0L-MAG
G00003-a4-T2-B6-Rm2-P7-L0	60°-2T-214w-610CL-P196-0L-MAG	G00003-a5-T2-B6-Rm2-P7-L0	75°-2T-214w-610CL-P196-0L-MAG	G00003-a6-T2-B6-Rm2-P7-L0	90°-2T-214w-610CL-P196-0L-MAG
G00003-a4-T3-B6-Rm2-P7-L0	60°-3T-214w-610CL-P196-0L-MAG	G00003-a5-T3-B6-Rm2-P7-L0	75°-3T-214w-610CL-P196-0L-MAG	G00003-a6-T3-B6-Rm2-P7-L0	90°-3T-214w-610CL-P196-0L-MAG

NON STANDARD SIZES ARE AVAILABLE ON REQUEST.
STANDARD ORDER QTY: PER SET





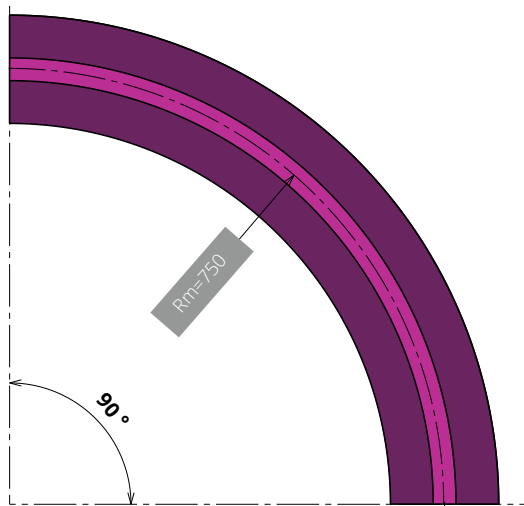
IN & OUT AVAILABLE ALSO 125mm - 100mm - 50mm



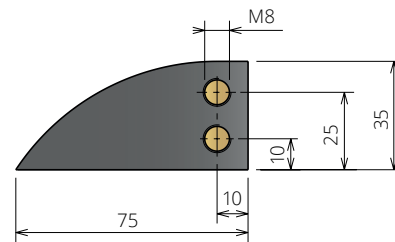
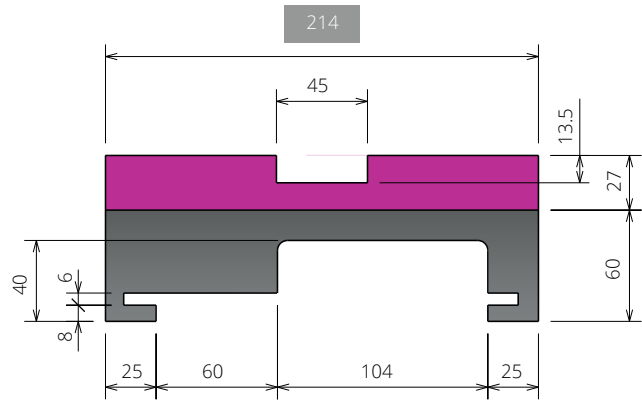
Rm = 610mm - SINGLE TRACK

α 15°		α 30°		α 45°	
CODE	DESCRIPTION	CODE	DESCRIPTION	CODE	DESCRIPTION
G00003-α1-T1-B6-Rm2-P0-L0	15°-1T-214W-610CL-0L-MAG	G00003-α2-T1-B6-Rm2-P0-L0	30°-1T-214W-610CL-0L-MAG	G00003-α3-T1-B6-Rm2-P0-L0	45°-1T-214W-610CL-0L-MAG
G00003-α1-T1-B6-Rm2-P0-L1	15°-1T-214W-610CL-50L-MAG	G00003-α2-T1-B6-Rm2-P0-L1	30°-1T-214W-610CL-50L-MAG	G00003-α3-T1-B6-Rm2-P0-L1	45°-1T-214W-610CL-50L-MAG
G00003-α1-T1-B6-Rm2-P0-L2	15°-1T-214W-610CL-100L-MAG	G00003-α2-T1-B6-Rm2-P0-L2	30°-1T-214W-610CL-100L-MAG	G00003-α3-T1-B6-Rm2-P0-L2	45°-1T-214W-610CL-100L-MAG
G00003-α1-T1-B6-Rm2-P0-L3	15°-1T-214W-610CL-125L-MAG	G00003-α2-T1-B6-Rm2-P0-L3	30°-1T-214W-610CL-125L-MAG	G00003-α3-T1-B6-Rm2-P0-L3	45°-1T-214W-610CL-125L-MAG
α 60°		α 75°		α 90°	
CODE	DESCRIPTION	CODE	DESCRIPTION	CODE	DESCRIPTION
G00003-α4-T1-B6-Rm2-P0-L0	60°-1T-214W-610CL-0L-MAG	G00003-α5-T1-B6-Rm2-P0-L0	75°-1T-214W-610CL-0L-MAG	G00003-α6-T1-B6-Rm2-P0-L0	90°-1T-214W-610CL-0L-MAG
G00003-α4-T1-B6-Rm2-P0-L1	60°-1T-214W-610CL-50L-MAG	G00003-α5-T1-B6-Rm2-P0-L1	75°-1T-214W-610CL-50L-MAG	G00003-α6-T1-B6-Rm2-P0-L1	90°-1T-214W-610CL-50L-MAG
G00003-α4-T1-B6-Rm2-P0-L2	60°-1T-214W-610CL-100L-MAG	G00003-α5-T1-B6-Rm2-P0-L2	75°-1T-214W-610CL-100L-MAG	G00003-α6-T1-B6-Rm2-P0-L2	90°-1T-214W-610CL-100L-MAG
G00003-α4-T1-B6-Rm2-P0-L3	60°-1T-214W-610CL-125L-MAG	G00003-α5-T1-B6-Rm2-P0-L3	75°-1T-214W-610CL-125L-MAG	G00003-α6-T1-B6-Rm2-P0-L3	90°-1T-214W-610CL-125L-MAG

NON STANDARD SIZES ARE AVAILABLE ON REQUEST.
STANDARD ORDER QTY: PER SET



IN & OUT AVAILABLE ALSO 125mm - 100mm - 50mm



Rm = 750mm - SINGLE TRACK

$\alpha 15^\circ$		$\alpha 30^\circ$		$\alpha 45^\circ$	
CODE	DESCRIPTION	CODE	DESCRIPTION	CODE	DESCRIPTION
G00003-a1-T1-B6-Rm4-P0-L0	15°-1T-214W-750CL-0L-MAG	G00003-a2-T1-B6-Rm4-P0-L0	30°-1T-214W-750CL-0L-MAG	G00003-a3-T1-B6-Rm4-P0-L0	45°-1T-214W-750CL-0L-MAG
G00003-a1-T1-B6-Rm4-P0-L1	15°-1T-214W-750CL-50L-MAG	G00003-a2-T1-B6-Rm4-P0-L1	30°-1T-214W-750CL-50L-MAG	G00003-a3-T1-B6-Rm4-P0-L1	45°-1T-214W-750CL-50L-MAG
G00003-a1-T1-B6-Rm4-P0-L2	15°-1T-214W-750CL-100L-MAG	G00003-a2-T1-B6-Rm4-P0-L2	30°-1T-214W-750CL-100L-MAG	G00003-a3-T1-B6-Rm4-P0-L2	45°-1T-214W-750CL-100L-MAG
G00003-a1-T1-B6-Rm4-P0-L3	15°-1T-214W-750CL-125L-MAG	G00003-a2-T1-B6-Rm4-P0-L3	30°-1T-214W-750CL-125L-MAG	G00003-a3-T1-B6-Rm4-P0-L3	45°-1T-214W-750CL-125L-MAG
$\alpha 60^\circ$		$\alpha 75^\circ$		$\alpha 90^\circ$	
CODE	DESCRIPTION	CODE	DESCRIPTION	CODE	DESCRIPTION
G00003-a4-T1-B6-Rm4-P0-L0	60°-1T-214W-750CL-0L-MAG	G00003-a5-T1-B6-Rm4-P0-L0	75°-1T-214W-750CL-0L-MAG	G00003-a6-T1-B6-Rm4-P0-L0	90°-1T-214W-750CL-0L-MAG
G00003-a4-T1-B6-Rm4-P0-L1	60°-1T-214W-750CL-50L-MAG	G00003-a5-T1-B6-Rm4-P0-L1	75°-1T-214W-750CL-50L-MAG	G00003-a6-T1-B6-Rm4-P0-L1	90°-1T-214W-750CL-50L-MAG
G00003-a4-T1-B6-Rm4-P0-L2	60°-1T-214W-750CL-100L-MAG	G00003-a5-T1-B6-Rm4-P0-L2	75°-1T-214W-750CL-100L-MAG	G00003-a6-T1-B6-Rm4-P0-L2	90°-1T-214W-750CL-100L-MAG
G00003-a4-T1-B6-Rm4-P0-L3	60°-1T-214W-750CL-125L-MAG	G00003-a5-T1-B6-Rm4-P0-L3	75°-1T-214W-750CL-125L-MAG	G00003-a6-T1-B6-Rm4-P0-L3	90°-1T-214W-750CL-125L-MAG

NON STANDARD SIZES ARE AVAILABLE ON REQUEST.
STANDARD ORDER QTY: PER SET



CHAINS/BELTS
PG. A8 & PG. B15



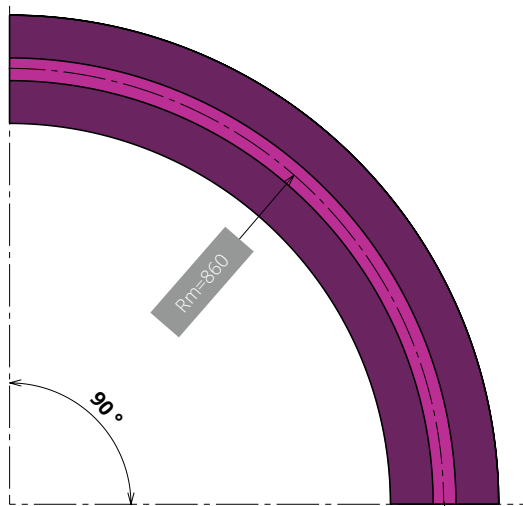
MATERIALS



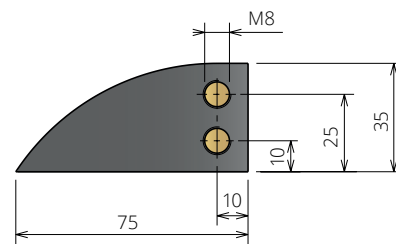
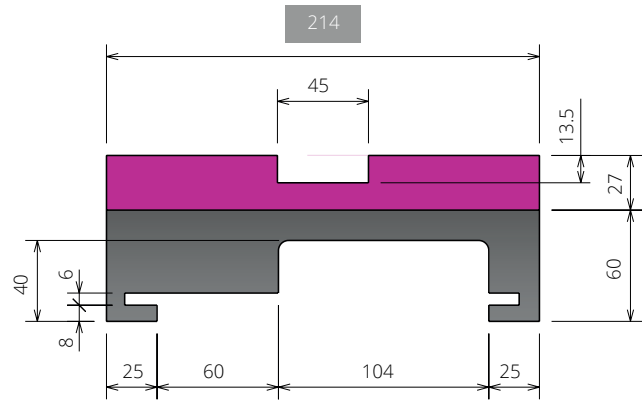
TABLE OF
CONTENTS



BACK TO CORNER TRACKS/
CURVES/BENDS INDEX (G)



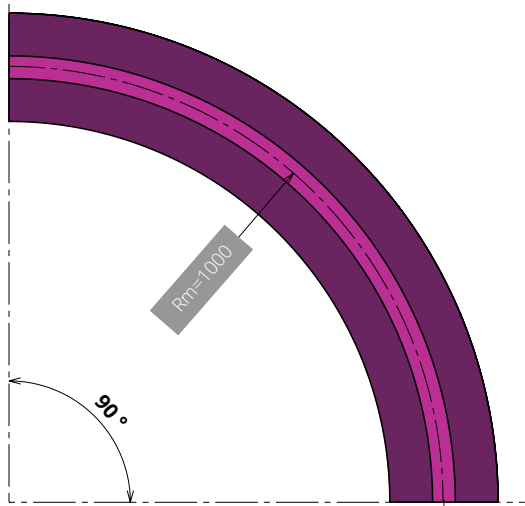
IN & OUT AVAILABLE ALSO 125mm - 100mm - 50mm



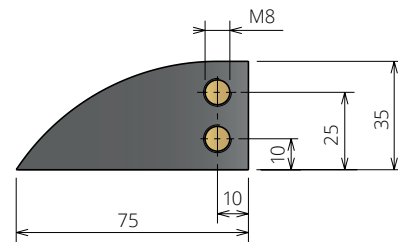
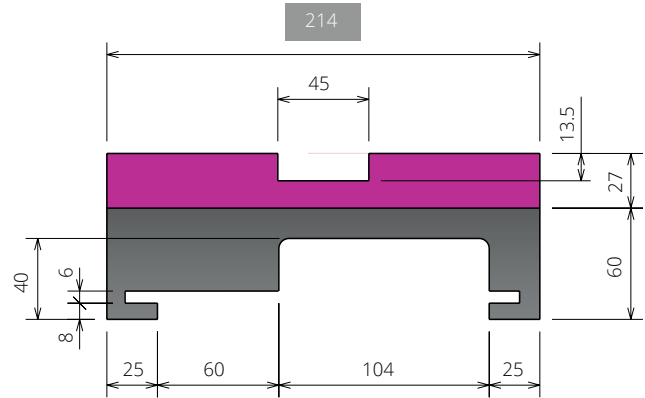
Rm = 860mm - SINGLE TRACK

$\alpha 15^\circ$		$\alpha 30^\circ$		$\alpha 45^\circ$	
CODE	DESCRIPTION	CODE	DESCRIPTION	CODE	DESCRIPTION
G00003- $\alpha 1$ -T1-B6-Rm5-P0-L0	15°-1T-214W-860CL-0L-MAG	G00003- $\alpha 2$ -T1-B6-Rm5-P0-L0	30°-1T-214W-860CL-0L-MAG	G00003- $\alpha 3$ -T1-B6-Rm5-P0-L0	45°-1T-214W-860CL-0L-MAG
G00003- $\alpha 1$ -T1-B6-Rm5-P0-L1	15°-1T-214W-860CL-50L-MAG	G00003- $\alpha 2$ -T1-B6-Rm5-P0-L1	30°-1T-214W-860CL-50L-MAG	G00003- $\alpha 3$ -T1-B6-Rm5-P0-L1	45°-1T-214W-860CL-50L-MAG
G00003- $\alpha 1$ -T1-B6-Rm5-P0-L2	15°-1T-214W-860CL-100L-MAG	G00003- $\alpha 2$ -T1-B6-Rm5-P0-L2	30°-1T-214W-860CL-100L-MAG	G00003- $\alpha 3$ -T1-B6-Rm5-P0-L2	45°-1T-214W-860CL-100L-MAG
G00003- $\alpha 1$ -T1-B6-Rm5-P0-L3	15°-1T-214W-860CL-125L-MAG	G00003- $\alpha 2$ -T1-B6-Rm5-P0-L3	30°-1T-214W-860CL-125L-MAG	G00003- $\alpha 3$ -T1-B6-Rm5-P0-L3	45°-1T-214W-860CL-125L-MAG
$\alpha 60^\circ$		$\alpha 75^\circ$		$\alpha 90^\circ$	
CODE	DESCRIPTION	CODE	DESCRIPTION	CODE	DESCRIPTION
G00003- $\alpha 4$ -T1-B6-Rm5-P0-L0	60°-1T-214W-860CL-0L-MAG	G00003- $\alpha 5$ -T1-B6-Rm5-P0-L0	75°-1T-214W-860CL-0L-MAG	G00003- $\alpha 6$ -T1-B6-Rm5-P0-L0	90°-1T-214W-860CL-0L-MAG
G00003- $\alpha 4$ -T1-B6-Rm5-P0-L1	60°-1T-214W-860CL-50L-MAG	G00003- $\alpha 5$ -T1-B6-Rm5-P0-L1	75°-1T-214W-860CL-50L-MAG	G00003- $\alpha 6$ -T1-B6-Rm5-P0-L1	90°-1T-214W-860CL-50L-MAG
G00003- $\alpha 4$ -T1-B6-Rm5-P0-L2	60°-1T-214W-860CL-100L-MAG	G00003- $\alpha 5$ -T1-B6-Rm5-P0-L2	75°-1T-214W-860CL-100L-MAG	G00003- $\alpha 6$ -T1-B6-Rm5-P0-L2	90°-1T-214W-860CL-100L-MAG
G00003- $\alpha 4$ -T1-B6-Rm5-P0-L3	60°-1T-214W-860CL-125L-MAG	G00003- $\alpha 5$ -T1-B6-Rm5-P0-L3	75°-1T-214W-860CL-125L-MAG	G00003- $\alpha 6$ -T1-B6-Rm5-P0-L3	90°-1T-214W-860CL-125L-MAG

NON STANDARD SIZES ARE AVAILABLE ON REQUEST.
STANDARD ORDER QTY: PER SET



IN & OUT AVAILABLE ALSO 125mm - 100mm - 50mm



Rm = 1000mm - SINGLE TRACK

$\alpha 15^\circ$		$\alpha 30^\circ$		$\alpha 45^\circ$	
CODE	DESCRIPTION	CODE	DESCRIPTION	CODE	DESCRIPTION
G00003- $\alpha 1$ -T1-B6-Rm6-P0-L0	15°-1T-214W-1000CL-0L-MAG	G00003- $\alpha 2$ -T1-B6-Rm6-P0-L0	30°-1T-214W-1000CL-0L-MAG	G00003- $\alpha 3$ -T1-B6-Rm6-P0-L0	45°-1T-214W-1000CL-0L-MAG
G00003- $\alpha 1$ -T1-B6-Rm6-P0-L1	15°-1T-214W-1000CL-50L-MAG	G00003- $\alpha 2$ -T1-B6-Rm6-P0-L1	30°-1T-214W-1000CL-50L-MAG	G00003- $\alpha 3$ -T1-B6-Rm6-P0-L1	45°-1T-214W-1000CL-50L-MAG
G00003- $\alpha 1$ -T1-B6-Rm6-P0-L2	15°-1T-214W-1000CL-100L-MAG	G00003- $\alpha 2$ -T1-B6-Rm6-P0-L2	30°-1T-214W-1000CL-100L-MAG	G00003- $\alpha 3$ -T1-B6-Rm6-P0-L2	45°-1T-214W-1000CL-100L-MAG
G00003- $\alpha 1$ -T1-B6-Rm6-P0-L3	15°-1T-214W-1000CL-125L-MAG	G00003- $\alpha 2$ -T1-B6-Rm6-P0-L3	30°-1T-214W-1000CL-125L-MAG	G00003- $\alpha 3$ -T1-B6-Rm6-P0-L3	45°-1T-214W-1000CL-125L-MAG
$\alpha 60^\circ$		$\alpha 75^\circ$		$\alpha 90^\circ$	
CODE	DESCRIPTION	CODE	DESCRIPTION	CODE	DESCRIPTION
G00003- $\alpha 4$ -T1-B6-Rm6-P0-L0	60°-1T-214W-1000CL-0L-MAG	G00003- $\alpha 5$ -T1-B6-Rm6-P0-L0	75°-1T-214W-1000CL-0L-MAG	G00003- $\alpha 6$ -T1-B6-Rm6-P0-L0	90°-1T-214W-1000CL-0L-MAG
G00003- $\alpha 4$ -T1-B6-Rm6-P0-L1	60°-1T-214W-1000CL-50L-MAG	G00003- $\alpha 5$ -T1-B6-Rm6-P0-L1	75°-1T-214W-1000CL-50L-MAG	G00003- $\alpha 6$ -T1-B6-Rm6-P0-L1	90°-1T-214W-1000CL-50L-MAG
G00003- $\alpha 4$ -T1-B6-Rm6-P0-L2	60°-1T-214W-1000CL-100L-MAG	G00003- $\alpha 5$ -T1-B6-Rm6-P0-L2	75°-1T-214W-1000CL-100L-MAG	G00003- $\alpha 6$ -T1-B6-Rm6-P0-L2	90°-1T-214W-1000CL-100L-MAG
G00003- $\alpha 4$ -T1-B6-Rm6-P0-L3	60°-1T-214W-1000CL-125L-MAG	G00003- $\alpha 5$ -T1-B6-Rm6-P0-L3	75°-1T-214W-1000CL-125L-MAG	G00003- $\alpha 6$ -T1-B6-Rm6-P0-L3	90°-1T-214W-1000CL-125L-MAG

NON STANDARD SIZES ARE AVAILABLE ON REQUEST.
STANDARD ORDER QTY: PER SET

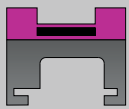
G00004

K1000 CORNER TRACKS / CURVES / BENDS MAGNETIC

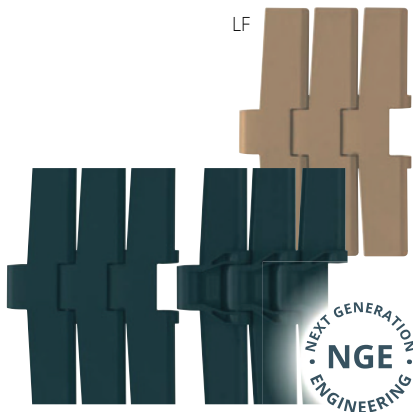


MAGNETIC

The magnetic corner track is the most effective and reliable system for the table top conveyor design.

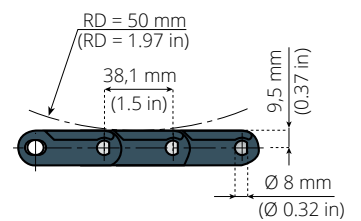
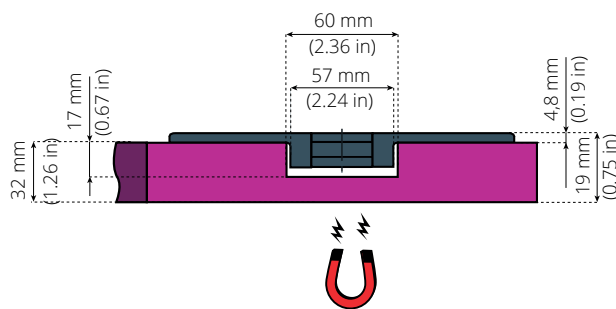


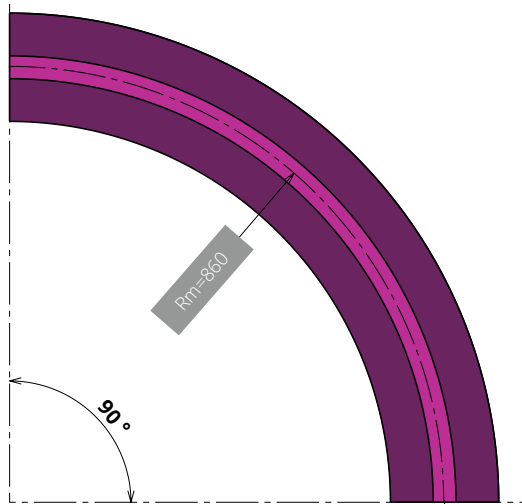
The magnets are carefully selected and positioned to provide the correct magnetic field to hold the chain on the corner track and this provides a flat carrying surface for the chain; thus, improving product stability and support for the product.



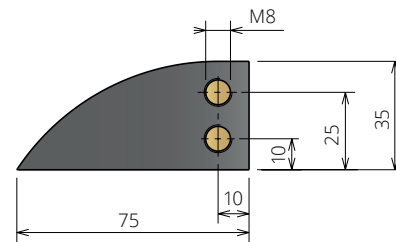
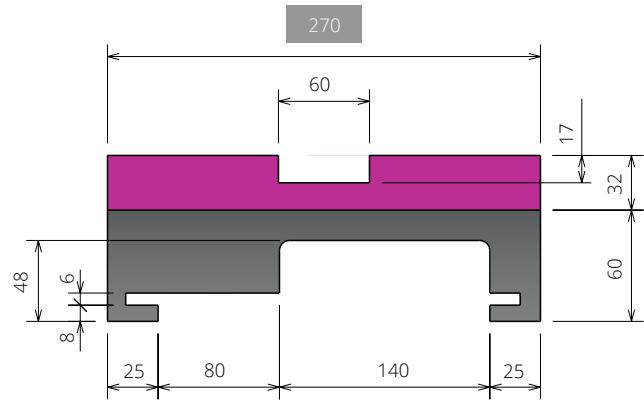
NGE
NEXT GENERATION
ENGINEERING

PG: B15





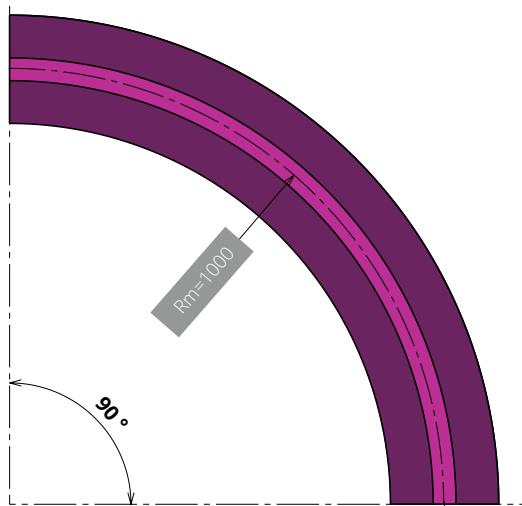
IN & OUT AVAILABLE ALSO 125mm - 100mm - 50mm



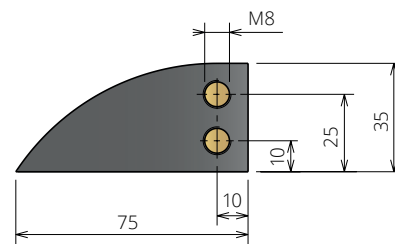
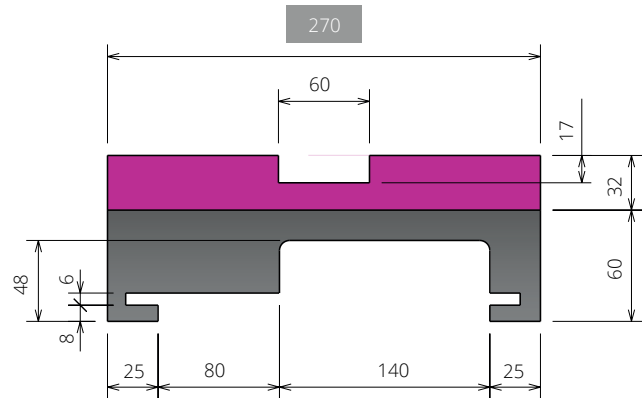
Rm = 860mm - SINGLE TRACK

$\alpha 15^\circ$		$\alpha 30^\circ$		$\alpha 45^\circ$	
CODE	DESCRIPTION	CODE	DESCRIPTION	CODE	DESCRIPTION
G00004-a1-T1-B7-Rm5-P0-L0	15°-1T-270w-860CL-0L-MAG	G00004-a2-T1-B7-Rm5-P0-L0	30°-1T-270w-860CL-0L-MAG	G00004-a3-T1-B7-Rm5-P0-L0	45°-1T-270w-860CL-0L-MAG
G00004-a1-T1-B7-Rm5-P0-L1	15°-1T-270w-860CL-50L-MAG	G00004-a2-T1-B7-Rm5-P0-L1	30°-1T-270w-860CL-50L-MAG	G00004-a3-T1-B7-Rm5-P0-L1	45°-1T-270w-860CL-50L-MAG
G00004-a1-T1-B7-Rm5-P0-L2	15°-1T-270w-860CL-100L-MAG	G00004-a2-T1-B7-Rm5-P0-L2	30°-1T-270w-860CL-100L-MAG	G00004-a3-T1-B7-Rm5-P0-L2	45°-1T-270w-860CL-100L-MAG
G00004-a1-T1-B7-Rm5-P0-L3	15°-1T-270w-860CL-125L-MAG	G00004-a2-T1-B7-Rm5-P0-L3	30°-1T-270w-860CL-125L-MAG	G00004-a3-T1-B7-Rm5-P0-L3	45°-1T-270w-860CL-125L-MAG
$\alpha 60^\circ$		$\alpha 75^\circ$		$\alpha 90^\circ$	
CODE	DESCRIPTION	CODE	DESCRIPTION	CODE	DESCRIPTION
G00004-a4-T1-B7-Rm5-P0-L0	60°-1T-270w-860CL-0L-MAG	G00004-a5-T1-B7-Rm5-P0-L0	75°-1T-270w-860CL-0L-MAG	G00004-a6-T1-B7-Rm5-P0-L0	90°-1T-270w-860CL-0L-MAG
G00004-a4-T1-B7-Rm5-P0-L1	60°-1T-270w-860CL-50L-MAG	G00004-a5-T1-B7-Rm5-P0-L1	75°-1T-270w-860CL-50L-MAG	G00004-a6-T1-B7-Rm5-P0-L1	90°-1T-270w-860CL-50L-MAG
G00004-a4-T1-B7-Rm5-P0-L2	60°-1T-270w-860CL-100L-MAG	G00004-a5-T1-B7-Rm5-P0-L2	75°-1T-270w-860CL-100L-MAG	G00004-a6-T1-B7-Rm5-P0-L2	90°-1T-270w-860CL-100L-MAG
G00004-a4-T1-B7-Rm5-P0-L3	60°-1T-270w-860CL-125L-MAG	G00004-a5-T1-B7-Rm5-P0-L3	75°-1T-270w-860CL-125L-MAG	G00004-a6-T1-B7-Rm5-P0-L3	90°-1T-270w-860CL-125L-MAG

NON STANDARD SIZES ARE AVAILABLE ON REQUEST.
STANDARD ORDER QTY: PER SET



IN & OUT AVAILABLE ALSO 125mm - 100mm - 50mm



Rm = 1000mm - SINGLE TRACK

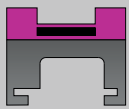
$\alpha 15^\circ$		$\alpha 30^\circ$		$\alpha 45^\circ$	
CODE	DESCRIPTION	CODE	DESCRIPTION	CODE	DESCRIPTION
G00004-a1-T1-B7-Rm6-P0-L0	15°-1T-270w-1000CL-0L-MAG	G00004-a2-T1-B7-Rm6-P0-L0	30°-1T-270w-1000CL-0L-MAG	G00004-a3-T1-B7-Rm6-P0-L0	45°-1T-270w-1000CL-0L-MAG
G00004-a1-T1-B7-Rm6-P0-L1	15°-1T-270w-1000CL-50L-MAG	G00004-a2-T1-B7-Rm6-P0-L1	30°-1T-270w-1000CL-50L-MAG	G00004-a3-T1-B7-Rm6-P0-L1	45°-1T-270w-1000CL-50L-MAG
G00004-a1-T1-B7-Rm6-P0-L2	15°-1T-270w-1000CL-100L-MAG	G00004-a2-T1-B7-Rm6-P0-L2	30°-1T-270w-1000CL-100L-MAG	G00004-a3-T1-B7-Rm6-P0-L2	45°-1T-270w-1000CL-100L-MAG
G00004-a1-T1-B7-Rm6-P0-L3	15°-1T-270w-1000CL-125L-MAG	G00004-a2-T1-B7-Rm6-P0-L3	30°-1T-270w-1000CL-125L-MAG	G00004-a3-T1-B7-Rm6-P0-L3	45°-1T-270w-1000CL-125L-MAG
$\alpha 60^\circ$		$\alpha 75^\circ$		$\alpha 90^\circ$	
CODE	DESCRIPTION	CODE	DESCRIPTION	CODE	DESCRIPTION
G00004-a4-T1-B7-Rm6-P0-L0	60°-1T-270w-1000CL-0L-MAG	G00004-a5-T1-B7-Rm6-P0-L0	75°-1T-270w-1000CL-0L-MAG	G00004-a6-T1-B7-Rm6-P0-L0	90°-1T-270w-1000CL-0L-MAG
G00004-a4-T1-B7-Rm6-P0-L1	60°-1T-270w-1000CL-50L-MAG	G00004-a5-T1-B7-Rm6-P0-L1	75°-1T-270w-1000CL-50L-MAG	G00004-a6-T1-B7-Rm6-P0-L1	90°-1T-270w-1000CL-50L-MAG
G00004-a4-T1-B7-Rm6-P0-L2	60°-1T-270w-1000CL-100L-MAG	G00004-a5-T1-B7-Rm6-P0-L2	75°-1T-270w-1000CL-100L-MAG	G00004-a6-T1-B7-Rm6-P0-L2	90°-1T-270w-1000CL-100L-MAG
G00004-a4-T1-B7-Rm6-P0-L3	60°-1T-270w-1000CL-125L-MAG	G00004-a5-T1-B7-Rm6-P0-L3	75°-1T-270w-1000CL-125L-MAG	G00004-a6-T1-B7-Rm6-P0-L3	90°-1T-270w-1000CL-125L-MAG

NON STANDARD SIZES ARE AVAILABLE ON REQUEST.
STANDARD ORDER QTY: PER SET



G00005

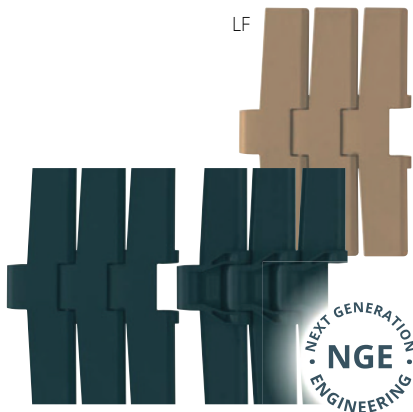
K1200 CORNER TRACKS / CURVES / BENDS MAGNETIC



MAGNETIC

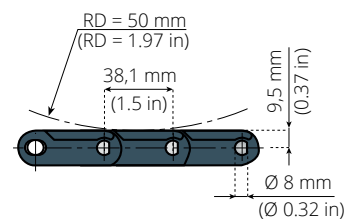
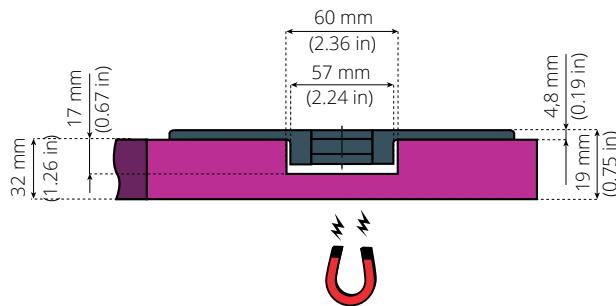
The magnetic corner track is the most effective and reliable system for the table top conveyor design.

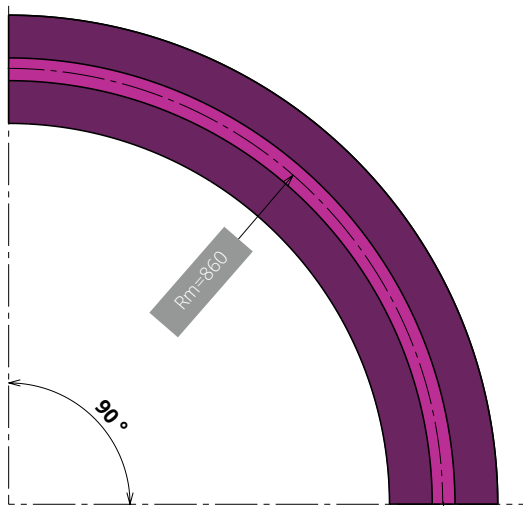
The magnets are carefully selected and positioned to provide the correct magnetic field to hold the chain on the corner track and this provides a flat carrying surface for the chain; thus, improving product stability and support for the product.



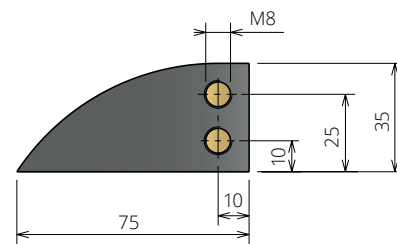
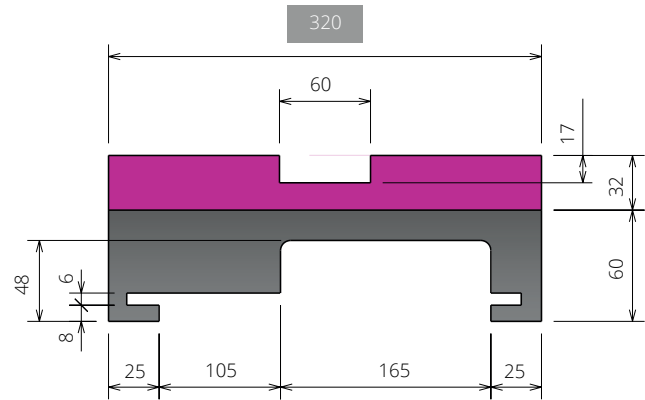
NGE
NEXT GENERATION
ENGINEERING

PG: B15





IN & OUT AVAILABLE ALSO 125mm - 100mm - 50mm



Rm = 860mm - SINGLE TRACK

$\alpha 15^\circ$		$\alpha 30^\circ$		$\alpha 45^\circ$	
CODE	DESCRIPTION	CODE	DESCRIPTION	CODE	DESCRIPTION
G00005-a1-T1-B9-Rm5-P0-L0	15°-1T-320w-860CL-0L-MAG	G00005-a2-T1-B9-Rm5-P0-L0	30°-1T-320w-860CL-0L-MAG	G00005-a3-T1-B9-Rm5-P0-L0	45°-1T-320w-860CL-0L-MAG
G00005-a1-T1-B9-Rm5-P0-L1	15°-1T-320w-860CL-50L-MAG	G00005-a2-T1-B9-Rm5-P0-L1	30°-1T-320w-860CL-50L-MAG	G00005-a3-T1-B9-Rm5-P0-L1	45°-1T-320w-860CL-50L-MAG
G00005-a1-T1-B9-Rm5-P0-L2	15°-1T-320w-860CL-100L-MAG	G00005-a2-T1-B9-Rm5-P0-L2	30°-1T-320w-860CL-100L-MAG	G00005-a3-T1-B9-Rm5-P0-L2	45°-1T-320w-860CL-100L-MAG
G00005-a1-T1-B9-Rm5-P0-L3	15°-1T-320w-860CL-125L-MAG	G00005-a2-T1-B9-Rm5-P0-L3	30°-1T-320w-860CL-125L-MAG	G00005-a3-T1-B9-Rm5-P0-L3	45°-1T-320w-860CL-125L-MAG
$\alpha 60^\circ$		$\alpha 75^\circ$		$\alpha 90^\circ$	
CODE	DESCRIPTION	CODE	DESCRIPTION	CODE	DESCRIPTION
G00005-a4-T1-B9-Rm5-P0-L0	60°-1T-320w-860CL-0L-MAG	G00005-a5-T1-B9-Rm5-P0-L0	75°-1T-320w-860CL-0L-MAG	G00005-a6-T1-B9-Rm5-P0-L0	90°-1T-320w-860CL-0L-MAG
G00005-a4-T1-B9-Rm5-P0-L1	60°-1T-320w-860CL-50L-MAG	G00005-a5-T1-B9-Rm5-P0-L1	75°-1T-320w-860CL-50L-MAG	G00005-a6-T1-B9-Rm5-P0-L1	90°-1T-320w-860CL-50L-MAG
G00005-a4-T1-B9-Rm5-P0-L2	60°-1T-320w-860CL-100L-MAG	G00005-a5-T1-B9-Rm5-P0-L2	75°-1T-320w-860CL-100L-MAG	G00005-a6-T1-B9-Rm5-P0-L2	90°-1T-320w-860CL-100L-MAG
G00005-a4-T1-B9-Rm5-P0-L3	60°-1T-320w-860CL-125L-MAG	G00005-a5-T1-B9-Rm5-P0-L3	75°-1T-320w-860CL-125L-MAG	G00005-a6-T1-B9-Rm5-P0-L3	90°-1T-320w-860CL-125L-MAG

NON STANDARD SIZES ARE AVAILABLE ON REQUEST.
STANDARD ORDER QTY: PER SET



CHAINS/BELTS
PG. B15



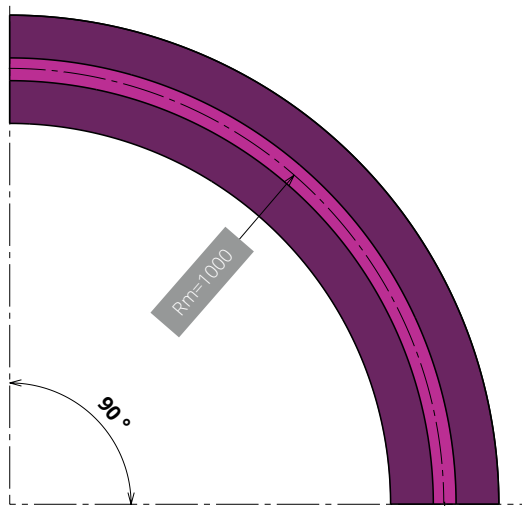
MATERIALS



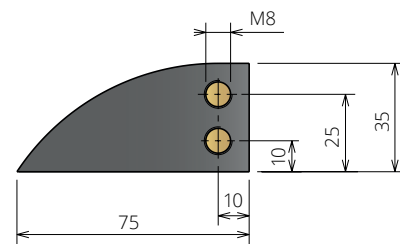
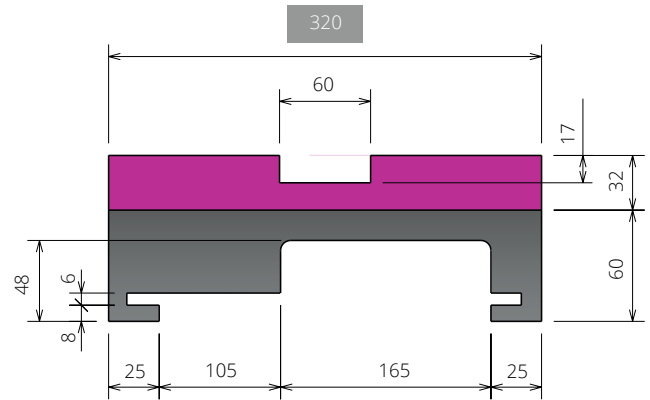
TABLE OF
CONTENTS



BACK TO CORNER TRACKS/
CURVES/BENDS INDEX (G)



IN & OUT AVAILABLE ALSO 125mm - 100mm - 50mm



Rm = 1000mm - SINGLE TRACK

$\alpha 15^\circ$		$\alpha 30^\circ$		$\alpha 45^\circ$	
CODE	DESCRIPTION	CODE	DESCRIPTION	CODE	DESCRIPTION
G00005-a1-T1-B9-Rm6-P0-L0	15°-1T-320w-1000CL-0L-MAG	G00005-a2-T1-B9-Rm6-P0-L0	30°-1T-320w-1000CL-0L-MAG	G00005-a3-T1-B9-Rm6-P0-L0	45°-1T-320w-1000CL-0L-MAG
G00005-a1-T1-B9-Rm6-P0-L1	15°-1T-320w-1000CL-50L-MAG	G00005-a2-T1-B9-Rm6-P0-L1	30°-1T-320w-1000CL-50L-MAG	G00005-a3-T1-B9-Rm6-P0-L1	45°-1T-320w-1000CL-50L-MAG
G00005-a1-T1-B9-Rm6-P0-L2	15°-1T-320w-1000CL-100L-MAG	G00005-a2-T1-B9-Rm6-P0-L2	30°-1T-320w-1000CL-100L-MAG	G00005-a3-T1-B9-Rm6-P0-L2	45°-1T-320w-1000CL-100L-MAG
G00005-a1-T1-B9-Rm6-P0-L3	15°-1T-320w-1000CL-125L-MAG	G00005-a2-T1-B9-Rm6-P0-L3	30°-1T-320w-1000CL-125L-MAG	G00005-a3-T1-B9-Rm6-P0-L3	45°-1T-320w-1000CL-125L-MAG
$\alpha 60^\circ$		$\alpha 75^\circ$		$\alpha 90^\circ$	
CODE	DESCRIPTION	CODE	DESCRIPTION	CODE	DESCRIPTION
G00005-a4-T1-B9-Rm6-P0-L0	60°-1T-320w-1000CL-0L-MAG	G00005-a5-T1-B9-Rm6-P0-L0	75°-1T-320w-1000CL-0L-MAG	G00005-a6-T1-B9-Rm6-P0-L0	90°-1T-320w-1000CL-0L-MAG
G00005-a4-T1-B9-Rm6-P0-L1	60°-1T-320w-1000CL-50L-MAG	G00005-a5-T1-B9-Rm6-P0-L1	75°-1T-320w-1000CL-50L-MAG	G00005-a6-T1-B9-Rm6-P0-L1	90°-1T-320w-1000CL-50L-MAG
G00005-a4-T1-B9-Rm6-P0-L2	60°-1T-320w-1000CL-100L-MAG	G00005-a5-T1-B9-Rm6-P0-L2	75°-1T-320w-1000CL-100L-MAG	G00005-a6-T1-B9-Rm6-P0-L2	90°-1T-320w-1000CL-100L-MAG
G00005-a4-T1-B9-Rm6-P0-L3	60°-1T-320w-1000CL-125L-MAG	G00005-a5-T1-B9-Rm6-P0-L3	75°-1T-320w-1000CL-125L-MAG	G00005-a6-T1-B9-Rm6-P0-L3	90°-1T-320w-1000CL-125L-MAG

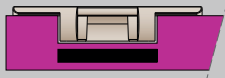
NON STANDARD SIZES ARE AVAILABLE ON REQUEST.
STANDARD ORDER QTY: PER SET



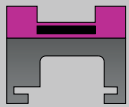
G000006

K325/K330 CORNER TRACKS / CURVES / BENDS MAGNETIC

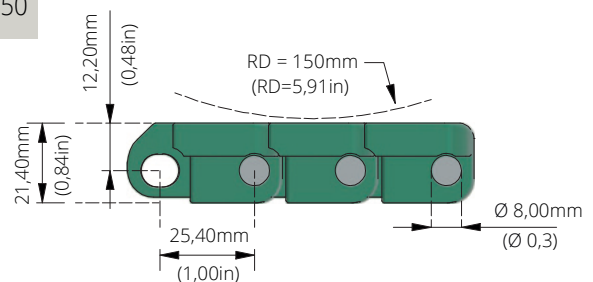
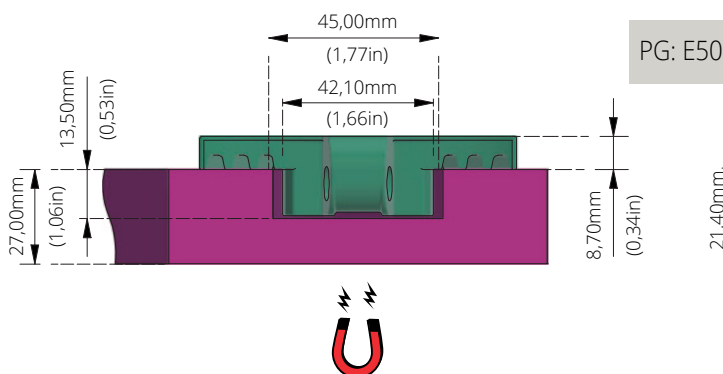
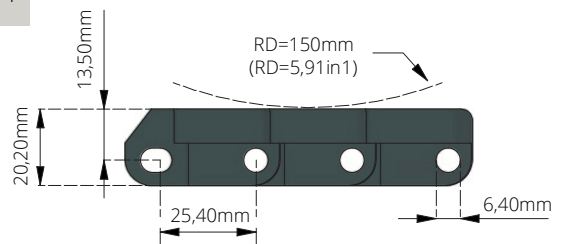
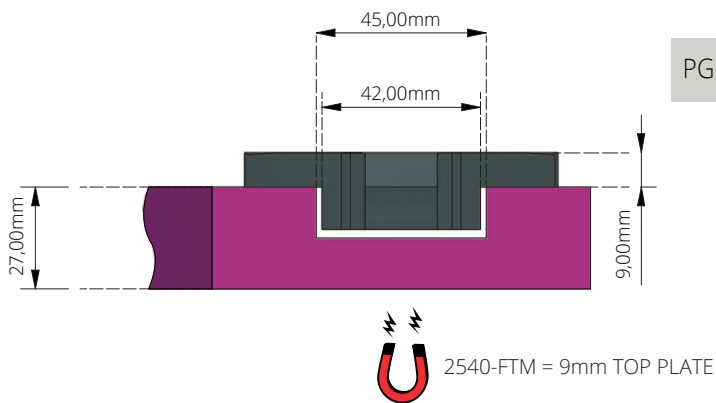
MAGNETIC

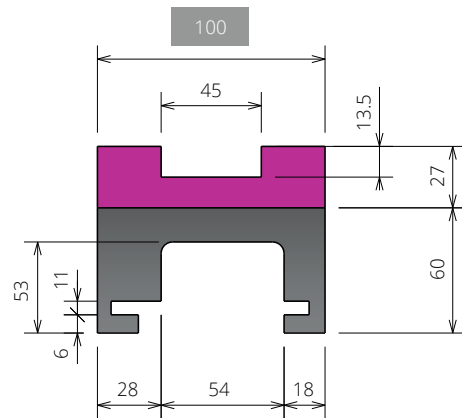
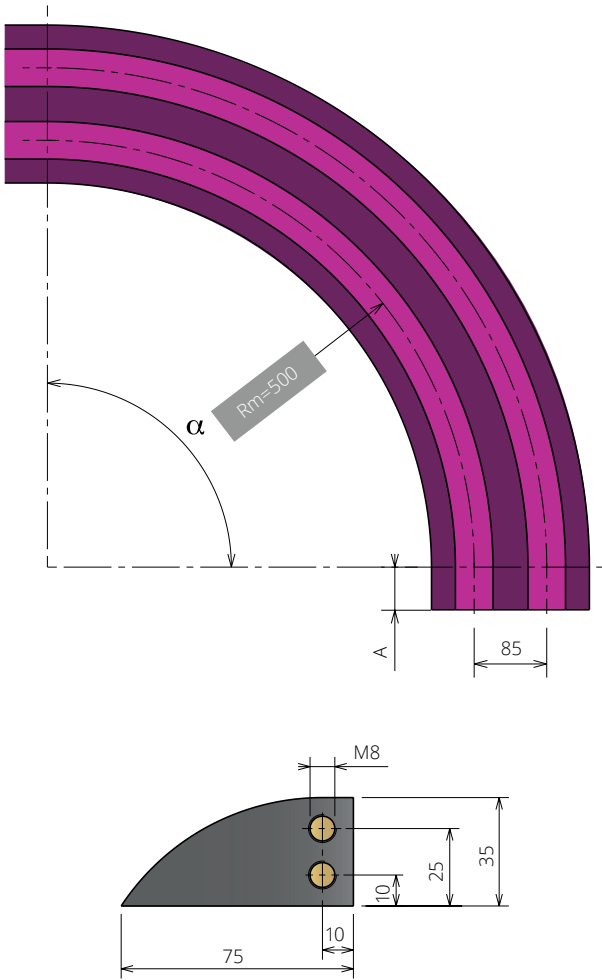


The magnetic corner track is the most effective and reliable system for the table top conveyor design.



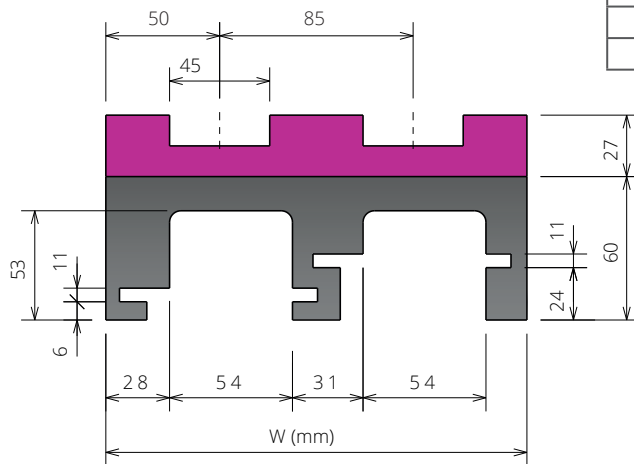
The magnets are carefully selected and positioned to provide the correct magnetic field to hold the chain on the corner track and this provides a flat carrying surface for the chain; thus, improving product stability and support for the product.





SINGLE TRACK - G00006-a6-T1-B1-Rm1-P0-L1

TRACKS	W
1	100
2	185
3	270
4	355
5	440
6	525
7	610
8	695

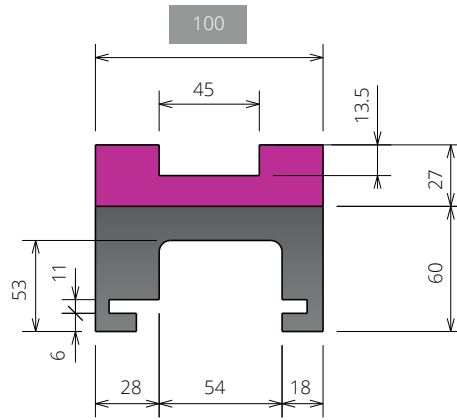
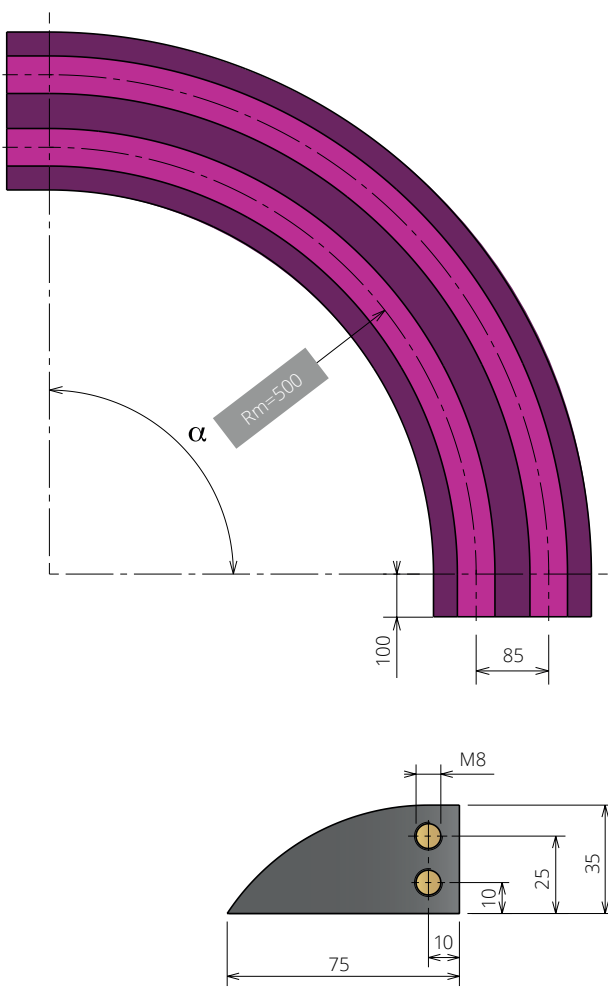


MULTI TRACK - G00006-a6-T2-B1-Rm1-P1-L1

Rm = 500mm - MULTI TRACK - 50mm LEAD IN / LEAD OUT

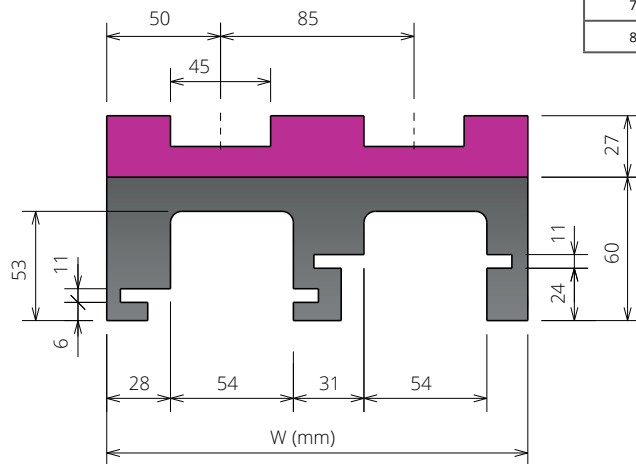
$\alpha 15^\circ$		$\alpha 30^\circ$		$\alpha 45^\circ$	
CODE	DESCRIPTION	CODE	DESCRIPTION	CODE	DESCRIPTION
G00006-a1-T1-B1-Rm1-P0-L1	15°-1T-100w-500CL-50L-MAG	G00006-a2-T1-B1-Rm1-P0-L1	30°-1T-100w-500CL-50L-MAG	G00006-a3-T1-B1-Rm1-P0-L1	45°-1T-100w-500CL-50L-MAG
G00006-a1-T2-B1-Rm1-P1-L1	15°-2T-100w-500CL-P85-50L-MAG	G00006-a2-T2-B1-Rm1-P1-L1	30°-2T-100w-500CL-P85-50L-MAG	G00006-a3-T2-B1-Rm1-P1-L1	45°-2T-100w-500CL-P85-50L-MAG
G00006-a1-T3-B1-Rm1-P1-L1	15°-3T-100w-500CL-P85-50L-MAG	G00006-a2-T3-B1-Rm1-P1-L1	30°-3T-100w-500CL-P85-50L-MAG	G00006-a3-T3-B1-Rm1-P1-L1	45°-3T-100w-500CL-P85-50L-MAG
G00006-a1-T4-B1-Rm1-P1-L1	15°-4T-100w-500CL-P85-50L-MAG	G00006-a2-T4-B1-Rm1-P1-L1	30°-4T-100w-500CL-P85-50L-MAG	G00006-a3-T4-B1-Rm1-P1-L1	45°-4T-100w-500CL-P85-50L-MAG
G00006-a1-T5-B1-Rm1-P1-L1	15°-5T-100w-500CL-P85-50L-MAG	G00006-a2-T5-B1-Rm1-P1-L1	30°-5T-100w-500CL-P85-50L-MAG	G00006-a3-T5-B1-Rm1-P1-L1	45°-5T-100w-500CL-P85-50L-MAG
G00006-a1-T6-B1-Rm1-P1-L1	15°-6T-100w-500CL-P85-50L-MAG	G00006-a2-T6-B1-Rm1-P1-L1	30°-6T-100w-500CL-P85-50L-MAG	G00006-a3-T6-B1-Rm1-P1-L1	45°-6T-100w-500CL-P85-50L-MAG
G00006-a1-T7-B1-Rm1-P1-L1	15°-7T-100w-500CL-P85-50L-MAG	G00006-a2-T7-B1-Rm1-P1-L1	30°-7T-100w-500CL-P85-50L-MAG	G00006-a3-T7-B1-Rm1-P1-L1	45°-7T-100w-500CL-P85-50L-MAG
G00006-a1-T8-B1-Rm1-P1-L1	15°-8T-100w-500CL-P85-50L-MAG	G00006-a2-T8-B1-Rm1-P1-L1	30°-8T-100w-500CL-P85-50L-MAG	G00006-a3-T8-B1-Rm1-P1-L1	45°-8T-100w-500CL-P85-50L-MAG
$\alpha 60^\circ$		$\alpha 75^\circ$		$\alpha 90^\circ$	
CODE	DESCRIPTION	CODE	DESCRIPTION	CODE	DESCRIPTION
G00006-a4-T1-B1-Rm1-P0-L1	60°-1T-100w-500CL-50L-MAG	G00006-a5-T1-B1-Rm1-P0-L1	75°-1T-100w-500CL-50L-MAG	G00006-a6-T1-B1-Rm1-P0-L1	90°-1T-100w-500CL-50L-MAG
G00006-a4-T2-B1-Rm1-P1-L1	60°-2T-100w-500CL-P85-50L-MAG	G00006-a5-T2-B1-Rm1-P1-L1	75°-2T-100w-500CL-P85-50L-MAG	G00006-a6-T2-B1-Rm1-P1-L1	90°-2T-100w-500CL-P85-50L-MAG
G00006-a4-T3-B1-Rm1-P1-L1	60°-3T-100w-500CL-P85-50L-MAG	G00006-a5-T3-B1-Rm1-P1-L1	75°-3T-100w-500CL-P85-50L-MAG	G00006-a6-T3-B1-Rm1-P1-L1	90°-3T-100w-500CL-P85-50L-MAG
G00006-a4-T4-B1-Rm1-P1-L1	60°-4T-100w-500CL-P85-50L-MAG	G00006-a5-T4-B1-Rm1-P1-L1	75°-4T-100w-500CL-P85-50L-MAG	G00006-a6-T4-B1-Rm1-P1-L1	90°-4T-100w-500CL-P85-50L-MAG
G00006-a4-T5-B1-Rm1-P1-L1	60°-5T-100w-500CL-P85-50L-MAG	G00006-a5-T5-B1-Rm1-P1-L1	75°-5T-100w-500CL-P85-50L-MAG	G00006-a6-T5-B1-Rm1-P1-L1	90°-5T-100w-500CL-P85-50L-MAG
G00006-a4-T6-B1-Rm1-P1-L1	60°-6T-100w-500CL-P85-50L-MAG	G00006-a5-T6-B1-Rm1-P1-L1	75°-6T-100w-500CL-P85-50L-MAG	G00006-a6-T6-B1-Rm1-P1-L1	90°-6T-100w-500CL-P85-50L-MAG
G00006-a4-T7-B1-Rm1-P1-L1	60°-7T-100w-500CL-P85-50L-MAG	G00006-a5-T7-B1-Rm1-P1-L1	75°-7T-100w-500CL-P85-50L-MAG	G00006-a6-T7-B1-Rm1-P1-L1	90°-7T-100w-500CL-P85-50L-MAG
G00006-a4-T8-B1-Rm1-P1-L1	60°-8T-100w-500CL-P85-50L-MAG	G00006-a5-T8-B1-Rm1-P1-L1	75°-8T-100w-500CL-P85-50L-MAG	G00006-a6-T8-B1-Rm1-P1-L1	90°-8T-100w-500CL-P85-50L-MAG

NON STANDARD SIZES ARE AVAILABLE ON REQUEST.
STANDARD ORDER QTY: PER SET



SINGLE TRACK - G00006-a6-T1-B1-Rm1-P0-L2

TRACKS	W
1	100
2	185
3	270
4	355
5	440
6	525
7	610
8	695



MULTI TRACK - G00006-a6-T2-B1-Rm1-P1-L2

Rm = 500mm - MULTI TRACK - 100mm LEAD IN / LEAD OUT

$\alpha 15^\circ$		$\alpha 30^\circ$		$\alpha 45^\circ$	
CODE	DESCRIPTION	CODE	DESCRIPTION	CODE	DESCRIPTION
G00006-a1-T1-B1-Rm1-P0-L2	15°-1T-100w-500CL-100L-MAG	G00006-a2-T1-B1-Rm1-P0-L2	30°-1T-100w-500CL-100L-MAG	G00006-a3-T1-B1-Rm1-P0-L2	45°-1T-100w-500CL-100L-MAG
G00006-a1-T2-B1-Rm1-P1-L2	15°-2T-100w-500CL-P85-100L-MAG	G00006-a2-T2-B1-Rm1-P1-L2	30°-2T-100w-500CL-P85-100L-MAG	G00006-a3-T2-B1-Rm1-P1-L2	45°-2T-100w-500CL-P85-100L-MAG
G00006-a1-T3-B1-Rm1-P1-L2	15°-3T-100w-500CL-P85-100L-MAG	G00006-a2-T3-B1-Rm1-P1-L2	30°-3T-100w-500CL-P85-100L-MAG	G00006-a3-T3-B1-Rm1-P1-L2	45°-3T-100w-500CL-P85-100L-MAG
G00006-a1-T4-B1-Rm1-P1-L2	15°-4T-100w-500CL-P85-100L-MAG	G00006-a2-T4-B1-Rm1-P1-L2	30°-4T-100w-500CL-P85-100L-MAG	G00006-a3-T4-B1-Rm1-P1-L2	45°-4T-100w-500CL-P85-100L-MAG
G00006-a1-T5-B1-Rm1-P1-L2	15°-5T-100w-500CL-P85-100L-MAG	G00006-a2-T5-B1-Rm1-P1-L2	30°-5T-100w-500CL-P85-100L-MAG	G00006-a3-T5-B1-Rm1-P1-L2	45°-5T-100w-500CL-P85-100L-MAG
G00006-a1-T6-B1-Rm1-P1-L2	15°-6T-100w-500CL-P85-100L-MAG	G00006-a2-T6-B1-Rm1-P1-L2	30°-6T-100w-500CL-P85-100L-MAG	G00006-a3-T6-B1-Rm1-P1-L2	45°-6T-100w-500CL-P85-100L-MAG
G00006-a1-T7-B1-Rm1-P1-L2	15°-7T-100w-500CL-P85-100L-MAG	G00006-a2-T7-B1-Rm1-P1-L2	30°-7T-100w-500CL-P85-100L-MAG	G00006-a3-T7-B1-Rm1-P1-L2	45°-7T-100w-500CL-P85-100L-MAG
G00006-a1-T8-B1-Rm1-P1-L2	15°-8T-100w-500CL-P85-100L-MAG	G00006-a2-T8-B1-Rm1-P1-L2	30°-8T-100w-500CL-P85-100L-MAG	G00006-a3-T8-B1-Rm1-P1-L2	45°-8T-100w-500CL-P85-100L-MAG
$\alpha 60^\circ$		$\alpha 75^\circ$		$\alpha 90^\circ$	
CODE	DESCRIPTION	CODE	DESCRIPTION	CODE	DESCRIPTION
G00006-a4-T1-B1-Rm1-P0-L2	60°-1T-100w-500CL-100L-MAG	G00006-a5-T1-B1-Rm1-P0-L2	75°-1T-100w-500CL-100L-MAG	G00006-a6-T1-B1-Rm1-P1-L2	90°-1T-100w-500CL-100L-MAG
G00006-a4-T2-B1-Rm1-P1-L2	60°-2T-100w-500CL-P85-100L-MAG	G00006-a5-T2-B1-Rm1-P1-L2	75°-2T-100w-500CL-P85-100L-MAG	G00006-a6-T2-B1-Rm1-P1-L2	90°-2T-100w-500CL-P85-100L-MAG
G00006-a4-T3-B1-Rm1-P1-L2	60°-3T-100w-500CL-P85-100L-MAG	G00006-a5-T3-B1-Rm1-P1-L2	75°-3T-100w-500CL-P85-100L-MAG	G00006-a6-T3-B1-Rm1-P1-L2	90°-3T-100w-500CL-P85-100L-MAG
G00006-a4-T4-B1-Rm1-P1-L2	60°-4T-100w-500CL-P85-100L-MAG	G00006-a5-T4-B1-Rm1-P1-L2	75°-4T-100w-500CL-P85-100L-MAG	G00006-a6-T4-B1-Rm1-P1-L2	90°-4T-100w-500CL-P85-100L-MAG
G00006-a4-T5-B1-Rm1-P1-L2	60°-5T-100w-500CL-P85-100L-MAG	G00006-a5-T5-B1-Rm1-P1-L2	75°-5T-100w-500CL-P85-100L-MAG	G00006-a6-T5-B1-Rm1-P1-L2	90°-5T-100w-500CL-P85-100L-MAG
G00006-a4-T6-B1-Rm1-P1-L2	60°-6T-100w-500CL-P85-100L-MAG	G00006-a5-T6-B1-Rm1-P1-L2	75°-6T-100w-500CL-P85-100L-MAG	G00006-a6-T6-B1-Rm1-P1-L2	90°-6T-100w-500CL-P85-100L-MAG
G00006-a4-T7-B1-Rm1-P1-L2	60°-7T-100w-500CL-P85-100L-MAG	G00006-a5-T7-B1-Rm1-P1-L2	75°-7T-100w-500CL-P85-100L-MAG	G00006-a6-T7-B1-Rm1-P1-L2	90°-7T-100w-500CL-P85-100L-MAG
G00006-a4-T8-B1-Rm1-P1-L2	60°-8T-100w-500CL-P85-100L-MAG	G00006-a5-T8-B1-Rm1-P1-L2	75°-8T-100w-500CL-P85-100L-MAG	G00006-a6-T8-B1-Rm1-P1-L2	90°-8T-100w-500CL-P85-100L-MAG

NON STANDARD SIZES ARE AVAILABLE ON REQUEST.
STANDARD ORDER QTY: PER SET



CHAINS/BELTS
PG. E44 - E50



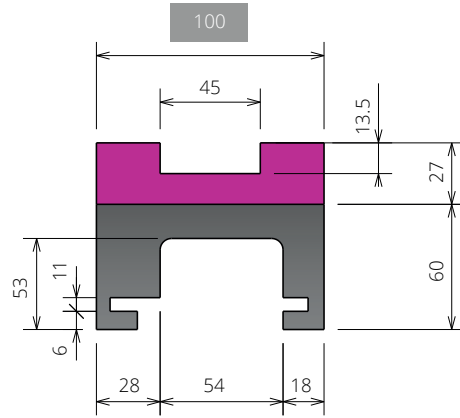
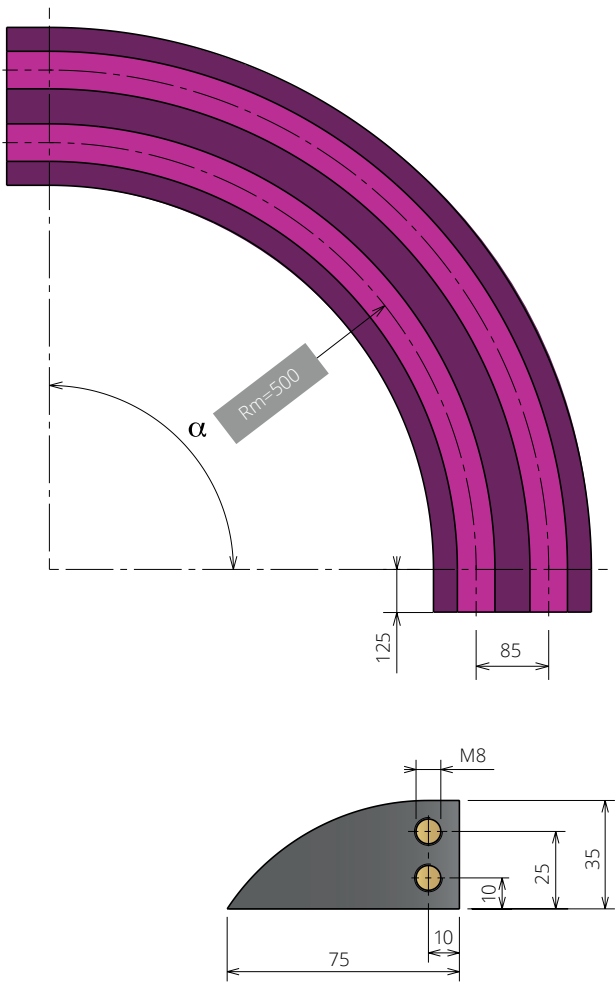
MATERIALS



TABLE OF
CONTENTS

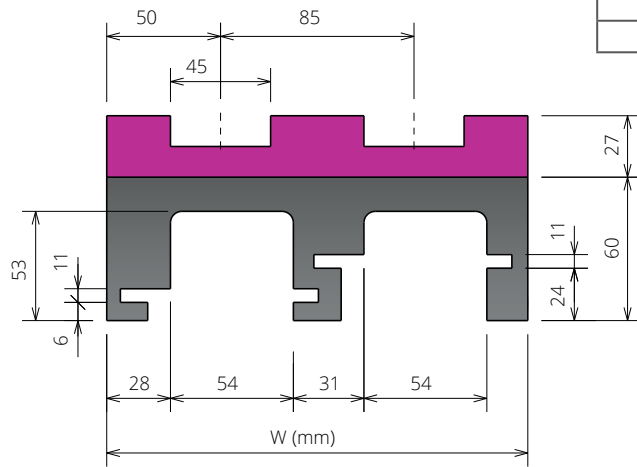


BACK TO CORNER TRACKS/
CURVES/BENDS INDEX (G)



SINGLE TRACK - G00006-a6-T1-B1-Rm1-P0-L3

TRACKS	W
1	100
2	185
3	270
4	355
5	440
6	525
7	610
8	695

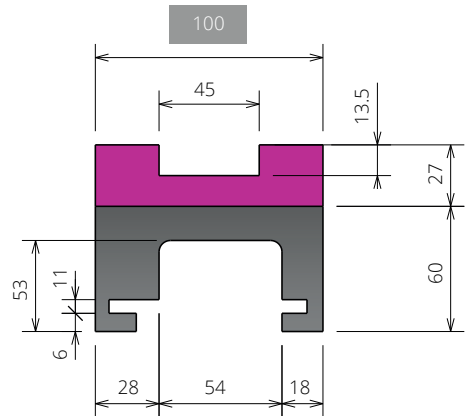
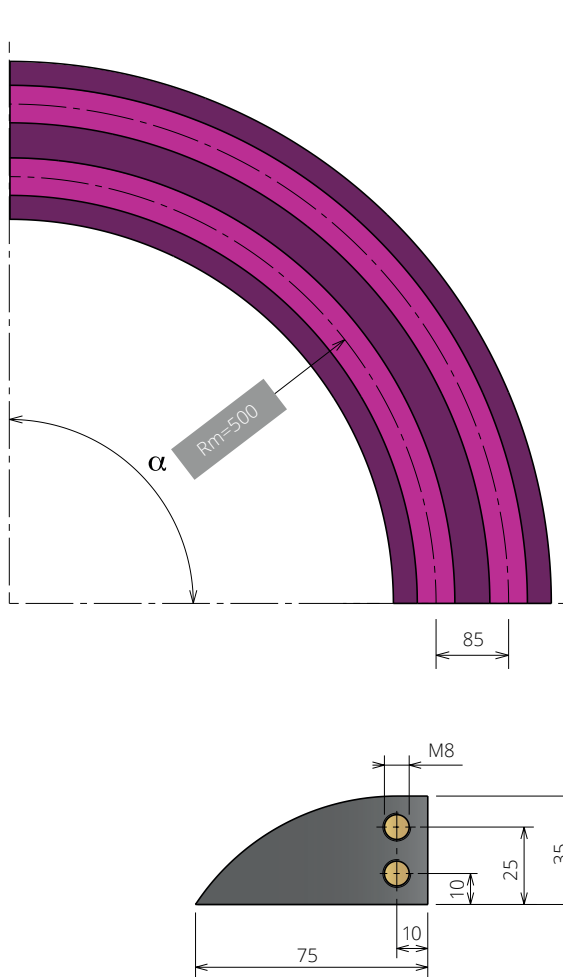


MULTI TRACK - G00006-a6-T2-B1-Rm1-P1-L3

Rm = 500mm - MULTI TRACK - 125mm LEAD IN / LEAD OUT

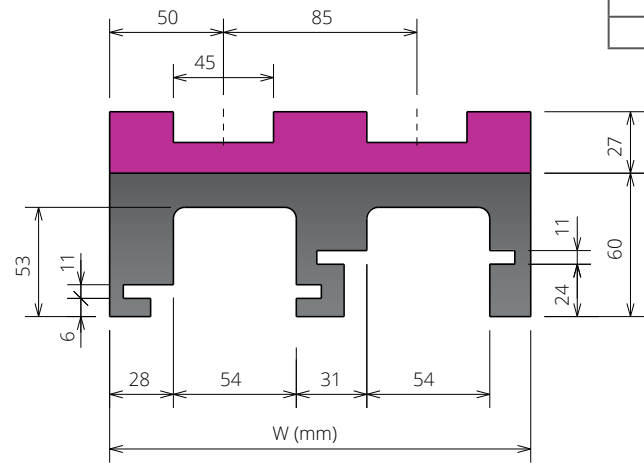
$\alpha 15^\circ$		$\alpha 30^\circ$		$\alpha 45^\circ$	
CODE	DESCRIPTION	CODE	DESCRIPTION	CODE	DESCRIPTION
G00006-a1-T1-B1-Rm1-P0-L3	15°-1T-100w-500CL-125L-MAG	G00006-a2-T1-B1-Rm1-P0-L3	30°-1T-100w-500CL-125L-MAG	G00006-a3-T1-B1-Rm1-P0-L3	45°-1T-100w-500CL-125L-MAG
G00006-a1-T2-B1-Rm1-P1-L3	15°-2T-100w-500CL-P85-125L-MAG	G00006-a2-T2-B1-Rm1-P1-L3	30°-2T-100w-500CL-P85-125L-MAG	G00006-a3-T2-B1-Rm1-P1-L3	45°-2T-100w-500CL-P85-125L-MAG
G00006-a1-T3-B1-Rm1-P1-L3	15°-3T-100w-500CL-P85-125L-MAG	G00006-a2-T3-B1-Rm1-P1-L3	30°-3T-100w-500CL-P85-125L-MAG	G00006-a3-T3-B1-Rm1-P1-L3	45°-3T-100w-500CL-P85-125L-MAG
G00006-a1-T4-B1-Rm1-P1-L3	15°-4T-100w-500CL-P85-125L-MAG	G00006-a2-T4-B1-Rm1-P1-L3	30°-4T-100w-500CL-P85-125L-MAG	G00006-a3-T4-B1-Rm1-P1-L3	45°-4T-100w-500CL-P85-125L-MAG
G00006-a1-T5-B1-Rm1-P1-L3	15°-5T-100w-500CL-P85-125L-MAG	G00006-a2-T5-B1-Rm1-P1-L3	30°-5T-100w-500CL-P85-125L-MAG	G00006-a3-T5-B1-Rm1-P1-L3	45°-5T-100w-500CL-P85-125L-MAG
G00006-a1-T6-B1-Rm1-P1-L3	15°-6T-100w-500CL-P85-125L-MAG	G00006-a2-T6-B1-Rm1-P1-L3	30°-6T-100w-500CL-P85-125L-MAG	G00006-a3-T6-B1-Rm1-P1-L3	45°-6T-100w-500CL-P85-125L-MAG
G00006-a1-T7-B1-Rm1-P1-L3	15°-7T-100w-500CL-P85-125L-MAG	G00006-a2-T7-B1-Rm1-P1-L3	30°-7T-100w-500CL-P85-125L-MAG	G00006-a3-T7-B1-Rm1-P1-L3	45°-7T-100w-500CL-P85-125L-MAG
G00006-a1-T8-B1-Rm1-P1-L3	15°-8T-100w-500CL-P85-125L-MAG	G00006-a2-T8-B1-Rm1-P1-L3	30°-8T-100w-500CL-P85-125L-MAG	G00006-a3-T8-B1-Rm1-P1-L3	45°-8T-100w-500CL-P85-125L-MAG
$\alpha 60^\circ$		$\alpha 75^\circ$		$\alpha 90^\circ$	
CODE	DESCRIPTION	CODE	DESCRIPTION	CODE	DESCRIPTION
G00006-a4-T1-B1-Rm1-P0-L3	60°-1T-100w-500CL-125L-MAG	G00006-a5-T1-B1-Rm1-P0-L3	75°-1T-100w-500CL-125L-MAG	G00006-a6-T1-B1-Rm1-P0-L3	90°-1T-100w-500CL-125L-MAG
G00006-a4-T2-B1-Rm1-P1-L3	60°-2T-100w-500CL-P85-125L-MAG	G00006-a5-T2-B1-Rm1-P1-L3	75°-2T-100w-500CL-P85-125L-MAG	G00006-a6-T2-B1-Rm1-P1-L3	90°-2T-100w-500CL-P85-125L-MAG
G00006-a4-T3-B1-Rm1-P1-L3	60°-3T-100w-500CL-P85-125L-MAG	G00006-a5-T3-B1-Rm1-P1-L3	75°-3T-100w-500CL-P85-125L-MAG	G00006-a6-T3-B1-Rm1-P1-L3	90°-3T-100w-500CL-P85-125L-MAG
G00006-a4-T4-B1-Rm1-P1-L3	60°-4T-100w-500CL-P85-125L-MAG	G00006-a5-T4-B1-Rm1-P1-L3	75°-4T-100w-500CL-P85-125L-MAG	G00006-a6-T4-B1-Rm1-P1-L3	90°-4T-100w-500CL-P85-125L-MAG
G00006-a4-T5-B1-Rm1-P1-L3	60°-5T-100w-500CL-P85-125L-MAG	G00006-a5-T5-B1-Rm1-P1-L3	75°-5T-100w-500CL-P85-125L-MAG	G00006-a6-T5-B1-Rm1-P1-L3	90°-5T-100w-500CL-P85-125L-MAG
G00006-a4-T6-B1-Rm1-P1-L3	60°-6T-100w-500CL-P85-125L-MAG	G00006-a5-T6-B1-Rm1-P1-L3	75°-6T-100w-500CL-P85-125L-MAG	G00006-a6-T6-B1-Rm1-P1-L3	90°-6T-100w-500CL-P85-125L-MAG
G00006-a4-T7-B1-Rm1-P1-L3	60°-7T-100w-500CL-P85-125L-MAG	G00006-a5-T7-B1-Rm1-P1-L3	75°-7T-100w-500CL-P85-125L-MAG	G00006-a6-T7-B1-Rm1-P1-L3	90°-7T-100w-500CL-P85-125L-MAG
G00006-a4-T8-B1-Rm1-P1-L3	60°-8T-100w-500CL-P85-125L-MAG	G00006-a5-T8-B1-Rm1-P1-L3	75°-8T-100w-500CL-P85-125L-MAG	G00006-a6-T8-B1-Rm1-P1-L3	90°-8T-100w-500CL-P85-125L-MAG

NON STANDARD SIZES ARE AVAILABLE ON REQUEST.
STANDARD ORDER QTY: PER SET



SINGLE TRACK - G00006-a6-T1-B1-Rm1-P0-L0

TRACKS	W
1	100
2	185
3	270
4	355
5	440
6	525
7	610
8	695

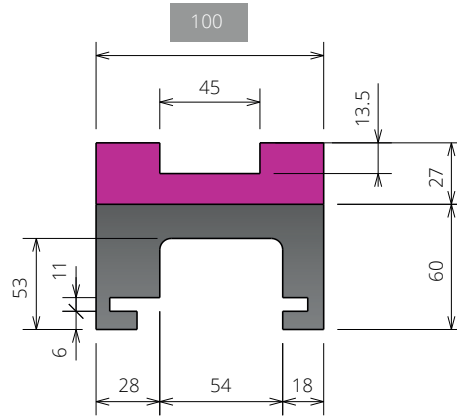
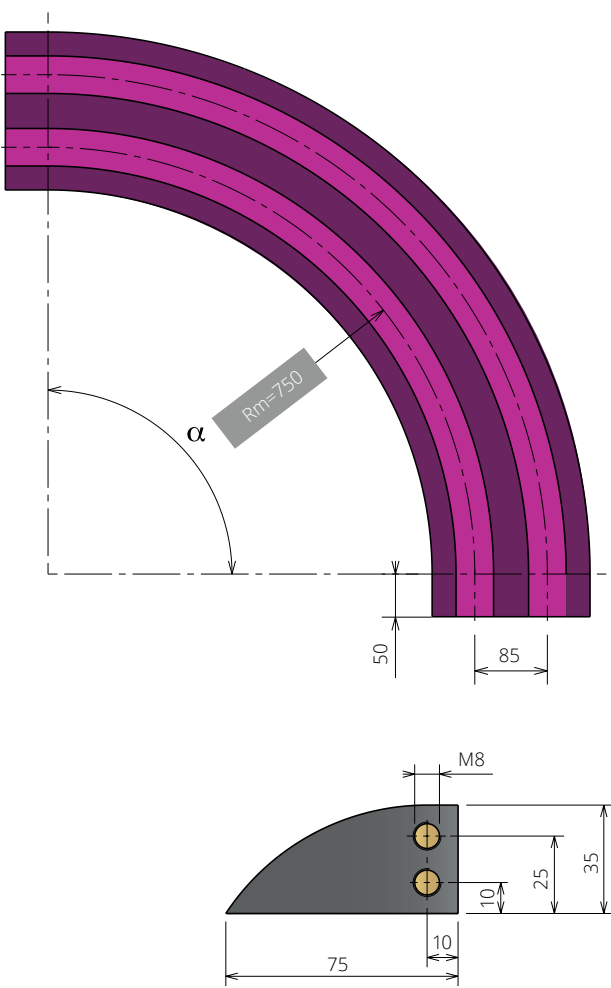


MULTI TRACK - G00006-a6-T2-B1-Rm1-P1-L0

Rm = 500mm - MULTI TRACK - NO LEAD IN / LEAD OUT

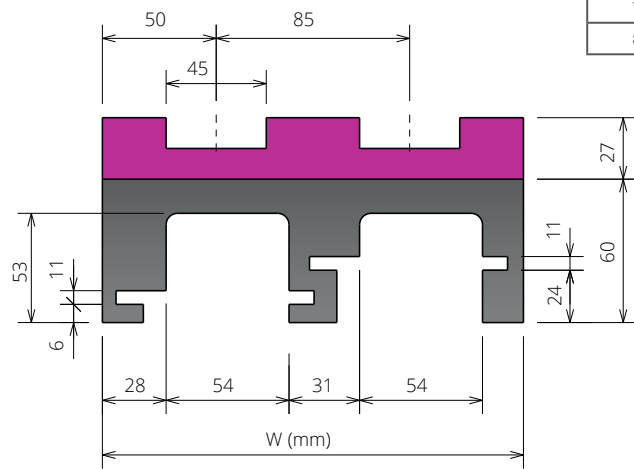
$\alpha 15^\circ$		$\alpha 30^\circ$		$\alpha 45^\circ$	
CODE	DESCRIPTION	CODE	DESCRIPTION	CODE	DESCRIPTION
G00006-a1-T1-B1-Rm1-P0-L0	15°-1T-100w-500CL-OL-MAG	G00006-a2-T1-B1-Rm1-P0-L0	30°-1T-100w-500CL-OL-MAG	G00006-a3-T1-B1-Rm1-P0-L0	45°-1T-100w-500CL-OL-MAG
G00006-a1-T2-B1-Rm1-P1-L0	15°-2T-100w-500CL-P85-OL-MAG	G00006-a2-T2-B1-Rm1-P1-L0	30°-2T-100w-500CL-P85-OL-MAG	G00006-a3-T2-B1-Rm1-P1-L0	45°-2T-100w-500CL-P85-OL-MAG
G00006-a1-T3-B1-Rm1-P1-L0	15°-3T-100w-500CL-P85-OL-MAG	G00006-a2-T3-B1-Rm1-P1-L0	30°-3T-100w-500CL-P85-OL-MAG	G00006-a3-T3-B1-Rm1-P1-L0	45°-3T-100w-500CL-P85-OL-MAG
G00006-a1-T4-B1-Rm1-P1-L0	15°-4T-100w-500CL-P85-OL-MAG	G00006-a2-T4-B1-Rm1-P1-L0	30°-4T-100w-500CL-P85-OL-MAG	G00006-a3-T4-B1-Rm1-P1-L0	45°-4T-100w-500CL-P85-OL-MAG
G00006-a1-T5-B1-Rm1-P1-L0	15°-5T-100w-500CL-P85-OL-MAG	G00006-a2-T5-B1-Rm1-P1-L0	30°-5T-100w-500CL-P85-OL-MAG	G00006-a3-T5-B1-Rm1-P1-L0	45°-5T-100w-500CL-P85-OL-MAG
G00006-a1-T6-B1-Rm1-P1-L0	15°-6T-100w-500CL-P85-OL-MAG	G00006-a2-T6-B1-Rm1-P1-L0	30°-6T-100w-500CL-P85-OL-MAG	G00006-a3-T6-B1-Rm1-P1-L0	45°-6T-100w-500CL-P85-OL-MAG
G00006-a1-T7-B1-Rm1-P1-L0	15°-7T-100w-500CL-P85-OL-MAG	G00006-a2-T7-B1-Rm1-P1-L0	30°-7T-100w-500CL-P85-OL-MAG	G00006-a3-T7-B1-Rm1-P1-L0	45°-7T-100w-500CL-P85-OL-MAG
G00006-a1-T8-B1-Rm1-P1-L0	15°-8T-100w-500CL-P85-OL-MAG	G00006-a2-T8-B1-Rm1-P1-L0	30°-8T-100w-500CL-P85-OL-MAG	G00006-a3-T8-B1-Rm1-P1-L0	45°-8T-100w-500CL-P85-OL-MAG
$\alpha 60^\circ$		$\alpha 75^\circ$		$\alpha 90^\circ$	
CODE	DESCRIPTION	CODE	DESCRIPTION	CODE	DESCRIPTION
G00006-a4-T1-B1-Rm1-P0-L0	60°-1T-100w-500CL-OL-MAG	G00006-a5-T1-B1-Rm1-P0-L0	75°-1T-100w-500CL-OL-MAG	G00006-a6-T1-B1-Rm1-P0-L0	90°-1T-100w-500CL-OL-MAG
G00006-a4-T2-B1-Rm1-P1-L0	60°-2T-100w-500CL-P85-OL-MAG	G00006-a5-T2-B1-Rm1-P1-L0	75°-2T-100w-500CL-P85-OL-MAG	G00006-a6-T2-B1-Rm1-P1-L0	90°-2T-100w-500CL-P85-OL-MAG
G00006-a4-T3-B1-Rm1-P1-L0	60°-3T-100w-500CL-P85-OL-MAG	G00006-a5-T3-B1-Rm1-P1-L0	75°-3T-100w-500CL-P85-OL-MAG	G00006-a6-T3-B1-Rm1-P1-L0	90°-3T-100w-500CL-P85-OL-MAG
G00006-a4-T4-B1-Rm1-P1-L0	60°-4T-100w-500CL-P85-OL-MAG	G00006-a5-T4-B1-Rm1-P1-L0	75°-4T-100w-500CL-P85-OL-MAG	G00006-a6-T4-B1-Rm1-P1-L0	90°-4T-100w-500CL-P85-OL-MAG
G00006-a4-T5-B1-Rm1-P1-L0	60°-5T-100w-500CL-P85-OL-MAG	G00006-a5-T5-B1-Rm1-P1-L0	75°-5T-100w-500CL-P85-OL-MAG	G00006-a6-T5-B1-Rm1-P1-L0	90°-5T-100w-500CL-P85-OL-MAG
G00006-a4-T6-B1-Rm1-P1-L0	60°-6T-100w-500CL-P85-OL-MAG	G00006-a5-T6-B1-Rm1-P1-L0	75°-6T-100w-500CL-P85-OL-MAG	G00006-a6-T6-B1-Rm1-P1-L0	90°-6T-100w-500CL-P85-OL-MAG
G00006-a4-T7-B1-Rm1-P1-L0	60°-7T-100w-500CL-P85-OL-MAG	G00006-a5-T7-B1-Rm1-P1-L0	75°-7T-100w-500CL-P85-OL-MAG	G00006-a6-T7-B1-Rm1-P1-L0	90°-7T-100w-500CL-P85-OL-MAG
G00006-a4-T8-B1-Rm1-P1-L0	60°-8T-100w-500CL-P85-OL-MAG	G00006-a5-T8-B1-Rm1-P1-L0	75°-8T-100w-500CL-P85-OL-MAG	G00006-a6-T8-B1-Rm1-P1-L0	90°-8T-100w-500CL-P85-OL-MAG

NON STANDARD SIZES ARE AVAILABLE ON REQUEST.
STANDARD ORDER QTY: PER SET



SINGLE TRACK - G00006-a6-T1-B1-Rm4-P0-L1

TRACKS	W
1	100
2	185
3	270
4	355
5	440
6	525
7	610
8	695

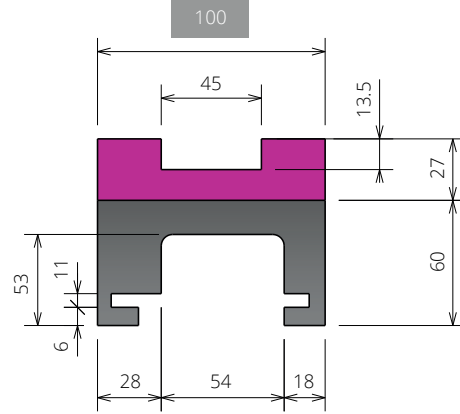
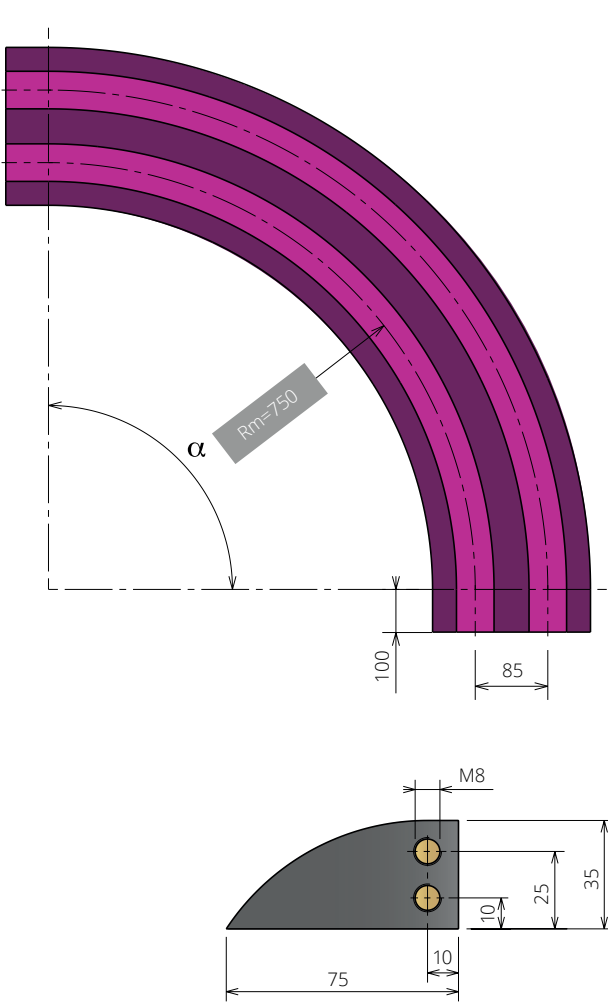


MULTI TRACK - G00006-a6-T2-B1-Rm4-P1-L1

Rm = 750mm - MULTI TRACK - 50mm LEAD IN / LEAD OUT

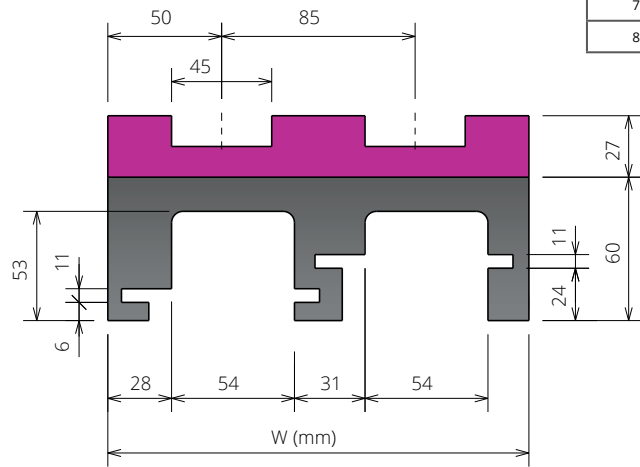
$\alpha 15^\circ$		$\alpha 30^\circ$		$\alpha 45^\circ$	
CODE	DESCRIPTION	CODE	DESCRIPTION	CODE	DESCRIPTION
G00006-a1-T1-B1-Rm4-P0-L1	15°-1T-100w-750CL-50L-MAG	G00006-a2-T1-B1-Rm4-P0-L1	30°-1T-100w-750CL-50L-MAG	G00006-a3-T1-B1-Rm4-P0-L1	45°-1T-100w-750CL-50L-MAG
G00006-a1-T2-B1-Rm4-P1-L1	15°-2T-100w-750CL-P85-50L-MAG	G00006-a2-T2-B1-Rm4-P1-L1	30°-2T-100w-750CL-P85-50L-MAG	G00006-a3-T2-B1-Rm4-P1-L1	45°-2T-100w-750CL-P85-50L-MAG
G00006-a1-T3-B1-Rm4-P1-L1	15°-3T-100w-750CL-P85-50L-MAG	G00006-a2-T3-B1-Rm4-P1-L1	30°-3T-100w-750CL-P85-50L-MAG	G00006-a3-T3-B1-Rm4-P1-L1	45°-3T-100w-750CL-P85-50L-MAG
G00006-a1-T4-B1-Rm4-P1-L1	15°-4T-100w-750CL-P85-50L-MAG	G00006-a2-T4-B1-Rm4-P1-L1	30°-4T-100w-750CL-P85-50L-MAG	G00006-a3-T4-B1-Rm4-P1-L1	45°-4T-100w-750CL-P85-50L-MAG
G00006-a1-T5-B1-Rm4-P1-L1	15°-5T-100w-750CL-P85-50L-MAG	G00006-a2-T5-B1-Rm4-P1-L1	30°-5T-100w-750CL-P85-50L-MAG	G00006-a3-T5-B1-Rm4-P1-L1	45°-5T-100w-750CL-P85-50L-MAG
G00006-a1-T6-B1-Rm4-P1-L1	15°-6T-100w-750CL-P85-50L-MAG	G00006-a2-T6-B1-Rm4-P1-L1	30°-6T-100w-750CL-P85-50L-MAG	G00006-a3-T6-B1-Rm4-P1-L1	45°-6T-100w-750CL-P85-50L-MAG
G00006-a1-T7-B1-Rm4-P1-L1	15°-7T-100w-750CL-P85-50L-MAG	G00006-a2-T7-B1-Rm4-P1-L1	30°-7T-100w-750CL-P85-50L-MAG	G00006-a3-T7-B1-Rm4-P1-L1	45°-7T-100w-750CL-P85-50L-MAG
G00006-a1-T8-B1-Rm4-P1-L1	15°-8T-100w-750CL-P85-50L-MAG	G00006-a2-T8-B1-Rm4-P1-L1	30°-8T-100w-750CL-P85-50L-MAG	G00006-a3-T8-B1-Rm4-P1-L1	45°-8T-100w-750CL-P85-50L-MAG
$\alpha 60^\circ$		$\alpha 75^\circ$		$\alpha 90^\circ$	
CODE	DESCRIPTION	CODE	DESCRIPTION	CODE	DESCRIPTION
G00006-a4-T1-B1-Rm4-P0-L1	60°-1T-100w-750CL-50L-MAG	G00006-a5-T1-B1-Rm4-P0-L1	75°-1T-100w-750CL-50L-MAG	G00006-a6-T1-B1-Rm4-P0-L1	90°-1T-100w-750CL-50L-MAG
G00006-a4-T2-B1-Rm4-P1-L1	60°-2T-100w-750CL-P85-50L-MAG	G00006-a5-T2-B1-Rm4-P1-L1	75°-2T-100w-750CL-P85-50L-MAG	G00006-a6-T2-B1-Rm4-P1-L1	90°-2T-100w-750CL-P85-50L-MAG
G00006-a4-T3-B1-Rm4-P1-L1	60°-3T-100w-750CL-P85-50L-MAG	G00006-a5-T3-B1-Rm4-P1-L1	75°-3T-100w-750CL-P85-50L-MAG	G00006-a6-T3-B1-Rm4-P1-L1	90°-3T-100w-750CL-P85-50L-MAG
G00006-a4-T4-B1-Rm4-P1-L1	60°-4T-100w-750CL-P85-50L-MAG	G00006-a5-T4-B1-Rm4-P1-L1	75°-4T-100w-750CL-P85-50L-MAG	G00006-a6-T4-B1-Rm4-P1-L1	90°-4T-100w-750CL-P85-50L-MAG
G00006-a4-T5-B1-Rm4-P1-L1	60°-5T-100w-750CL-P85-50L-MAG	G00006-a5-T5-B1-Rm4-P1-L1	75°-5T-100w-750CL-P85-50L-MAG	G00006-a6-T5-B1-Rm4-P1-L1	90°-5T-100w-750CL-P85-50L-MAG
G00006-a4-T6-B1-Rm4-P1-L1	60°-6T-100w-750CL-P85-50L-MAG	G00006-a5-T6-B1-Rm4-P1-L1	75°-6T-100w-750CL-P85-50L-MAG	G00006-a6-T6-B1-Rm4-P1-L1	90°-6T-100w-750CL-P85-50L-MAG
G00006-a4-T7-B1-Rm4-P1-L1	60°-7T-100w-750CL-P85-50L-MAG	G00006-a5-T7-B1-Rm4-P1-L1	75°-7T-100w-750CL-P85-50L-MAG	G00006-a6-T7-B1-Rm4-P1-L1	90°-7T-100w-750CL-P85-50L-MAG
G00006-a4-T8-B1-Rm4-P1-L1	60°-8T-100w-750CL-P85-50L-MAG	G00006-a5-T8-B1-Rm4-P1-L1	75°-8T-100w-750CL-P85-50L-MAG	G00006-a6-T8-B1-Rm4-P1-L1	90°-8T-100w-750CL-P85-50L-MAG

NON STANDARD SIZES ARE AVAILABLE ON REQUEST.
STANDARD ORDER QTY: PER SET



SINGLE TRACK - G00006-a6-T1-B1-Rm4-P0-L2

TRACKS	W
1	100
2	185
3	270
4	355
5	440
6	525
7	610
8	695



MULTI TRACK - G00006-a6-T2-B1-Rm4-P1-L2

Rm = 750mm - MULTI TRACK - 100mm LEAD IN / LEAD OUT

$\alpha 15^\circ$		$\alpha 30^\circ$		$\alpha 45^\circ$	
CODE	DESCRIPTION	CODE	DESCRIPTION	CODE	DESCRIPTION
G00006-a1-T1-B1-Rm4-P0-L2	15°-1T-100w-750CL-100L-MAG	G00006-a2-T1-B1-Rm4-P0-L2	30°-1T-100w-750CL-100L-MAG	G00006-a3-T1-B1-Rm4-P0-L2	45°-1T-100w-750CL-100L-MAG
G00006-a1-T2-B1-Rm4-P1-L2	15°-2T-100w-750CL-P85-100L-MAG	G00006-a2-T2-B1-Rm4-P1-L2	30°-2T-100w-750CL-P85-100L-MAG	G00006-a3-T2-B1-Rm4-P1-L2	45°-2T-100w-750CL-P85-100L-MAG
G00006-a1-T3-B1-Rm4-P1-L2	15°-3T-100w-750CL-P85-100L-MAG	G00006-a2-T3-B1-Rm4-P1-L2	30°-3T-100w-750CL-P85-100L-MAG	G00006-a3-T3-B1-Rm4-P1-L2	45°-3T-100w-750CL-P85-100L-MAG
G00006-a1-T4-B1-Rm4-P1-L2	15°-4T-100w-750CL-P85-100L-MAG	G00006-a2-T4-B1-Rm4-P1-L2	30°-4T-100w-750CL-P85-100L-MAG	G00006-a3-T4-B1-Rm4-P1-L2	45°-4T-100w-750CL-P85-100L-MAG
G00006-a1-T5-B1-Rm4-P1-L2	15°-5T-100w-750CL-P85-100L-MAG	G00006-a2-T5-B1-Rm4-P1-L2	30°-5T-100w-750CL-P85-100L-MAG	G00006-a3-T5-B1-Rm4-P1-L2	45°-5T-100w-750CL-P85-100L-MAG
G00006-a1-T6-B1-Rm4-P1-L2	15°-6T-100w-750CL-P85-100L-MAG	G00006-a2-T6-B1-Rm4-P1-L2	30°-6T-100w-750CL-P85-100L-MAG	G00006-a3-T6-B1-Rm4-P1-L2	45°-6T-100w-750CL-P85-100L-MAG
G00006-a1-T7-B1-Rm4-P1-L2	15°-7T-100w-750CL-P85-100L-MAG	G00006-a2-T7-B1-Rm4-P1-L2	30°-7T-100w-750CL-P85-100L-MAG	G00006-a3-T7-B1-Rm4-P1-L2	45°-7T-100w-750CL-P85-100L-MAG
G00006-a1-T8-B1-Rm4-P1-L2	15°-8T-100w-750CL-P85-100L-MAG	G00006-a2-T8-B1-Rm4-P1-L2	30°-8T-100w-750CL-P85-100L-MAG	G00006-a3-T8-B1-Rm4-P1-L2	45°-8T-100w-750CL-P85-100L-MAG
$\alpha 60^\circ$		$\alpha 75^\circ$		$\alpha 90^\circ$	
CODE	DESCRIPTION	CODE	DESCRIPTION	CODE	DESCRIPTION
G00006-a4-T1-B1-Rm4-P0-L2	60°-1T-100w-750CL-100L-MAG	G00006-a5-T1-B1-Rm4-P0-L2	75°-1T-100w-750CL-100L-MAG	G00006-a6-T1-B1-Rm4-P0-L2	90°-1T-100w-750CL-100L-MAG
G00006-a4-T2-B1-Rm4-P1-L2	60°-2T-100w-750CL-P85-100L-MAG	G00006-a5-T2-B1-Rm4-P1-L2	75°-2T-100w-750CL-P85-100L-MAG	G00006-a6-T2-B1-Rm4-P1-L2	90°-2T-100w-750CL-P85-100L-MAG
G00006-a4-T3-B1-Rm4-P1-L2	60°-3T-100w-750CL-P85-100L-MAG	G00006-a5-T3-B1-Rm4-P1-L2	75°-3T-100w-750CL-P85-100L-MAG	G00006-a6-T3-B1-Rm4-P1-L2	90°-3T-100w-750CL-P85-100L-MAG
G00006-a4-T4-B1-Rm4-P1-L2	60°-4T-100w-750CL-P85-100L-MAG	G00006-a5-T4-B1-Rm4-P1-L2	75°-4T-100w-750CL-P85-100L-MAG	G00006-a6-T4-B1-Rm4-P1-L2	90°-4T-100w-750CL-P85-100L-MAG
G00006-a4-T5-B1-Rm4-P1-L2	60°-5T-100w-750CL-P85-100L-MAG	G00006-a5-T5-B1-Rm4-P1-L2	75°-5T-100w-750CL-P85-100L-MAG	G00006-a6-T5-B1-Rm4-P1-L2	90°-5T-100w-750CL-P85-100L-MAG
G00006-a4-T6-B1-Rm4-P1-L2	60°-6T-100w-750CL-P85-100L-MAG	G00006-a5-T6-B1-Rm4-P1-L2	75°-6T-100w-750CL-P85-100L-MAG	G00006-a6-T6-B1-Rm4-P1-L2	90°-6T-100w-750CL-P85-100L-MAG
G00006-a4-T7-B1-Rm4-P1-L2	60°-7T-100w-750CL-P85-100L-MAG	G00006-a5-T7-B1-Rm4-P1-L2	75°-7T-100w-750CL-P85-100L-MAG	G00006-a6-T7-B1-Rm4-P1-L2	90°-7T-100w-750CL-P85-100L-MAG
G00006-a4-T8-B1-Rm4-P1-L2	60°-8T-100w-750CL-P85-100L-MAG	G00006-a5-T8-B1-Rm4-P1-L2	75°-8T-100w-750CL-P85-100L-MAG	G00006-a6-T8-B1-Rm4-P1-L2	90°-8T-100w-750CL-P85-100L-MAG

NON STANDARD SIZES ARE AVAILABLE ON REQUEST.
STANDARD ORDER QTY: PER SET



CHAINS/BELTS
PG. E44 - E50



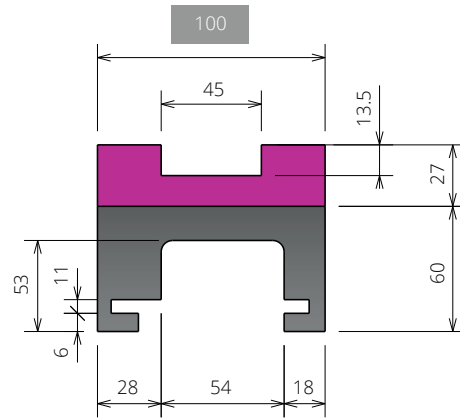
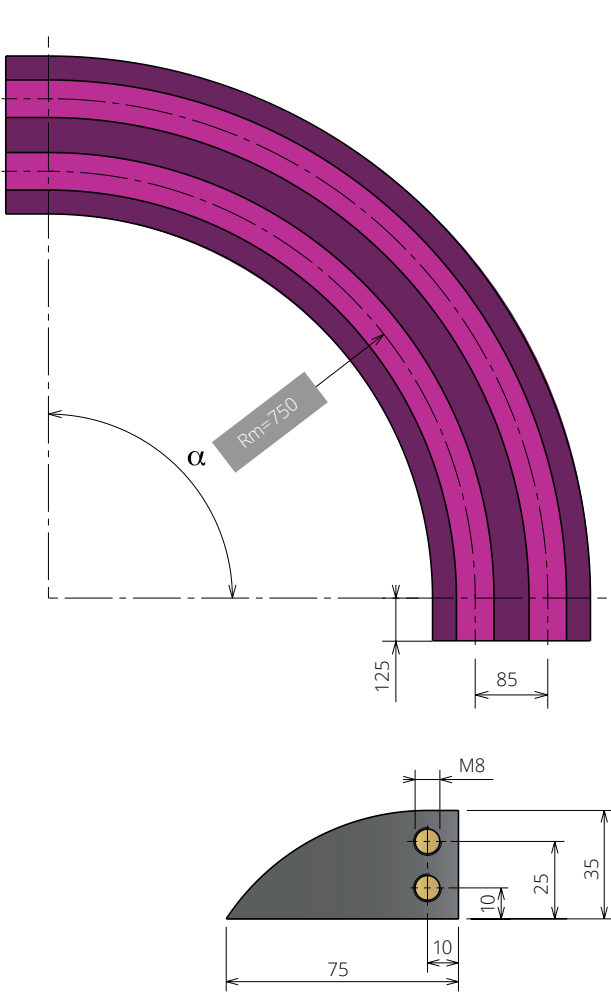
MATERIALS



TABLE OF
CONTENTS

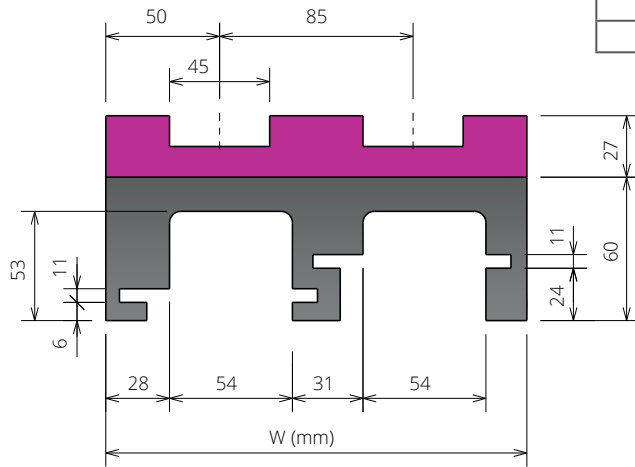


BACK TO CORNER TRACKS/
CURVES/BENDS INDEX (G)



SINGLE TRACK - G00006-a6-T1-B1-Rm4-P0-L3

TRACKS	W
1	100
2	185
3	270
4	355
5	440
6	525
7	610
8	695



MULTI TRACK - G00006-a6-T2-B1-Rm4-P1-L3

Rm = 750mm - MULTI TRACK - 125mm LEAD IN / LEAD OUT

α 15°		α 30°		α 45°	
CODE	DESCRIPTION	CODE	DESCRIPTION	CODE	DESCRIPTION
G00006-a1-T1-B1-Rm4-P0-L3	15°-1T-100w-750CL-125L-MAG	G00006-a2-T1-B1-Rm4-P0-L3	30°-1T-100w-750CL-125L-MAG	G00006-a3-T1-B1-Rm4-P0-L3	45°-1T-100w-750CL-125L-MAG
G00006-a1-T2-B1-Rm4-P1-L3	15°-2T-100w-750CL-P85-125L-MAG	G00006-a2-T2-B1-Rm4-P1-L3	30°-2T-100w-750CL-P85-125L-MAG	G00006-a3-T2-B1-Rm4-P1-L3	45°-2T-100w-750CL-P85-125L-MAG
G00006-a1-T3-B1-Rm4-P1-L3	15°-3T-100w-750CL-P85-125L-MAG	G00006-a2-T3-B1-Rm4-P1-L3	30°-3T-100w-750CL-P85-125L-MAG	G00006-a3-T3-B1-Rm4-P1-L3	45°-3T-100w-750CL-P85-125L-MAG
G00006-a1-T4-B1-Rm4-P1-L3	15°-4T-100w-750CL-P85-125L-MAG	G00006-a2-T4-B1-Rm4-P1-L3	30°-4T-100w-750CL-P85-125L-MAG	G00006-a3-T4-B1-Rm4-P1-L3	45°-4T-100w-750CL-P85-125L-MAG
G00006-a1-T5-B1-Rm4-P1-L3	15°-5T-100w-750CL-P85-125L-MAG	G00006-a2-T5-B1-Rm4-P1-L3	30°-5T-100w-750CL-P85-125L-MAG	G00006-a3-T5-B1-Rm4-P1-L3	45°-5T-100w-750CL-P85-125L-MAG
G00006-a1-T6-B1-Rm4-P1-L3	15°-6T-100w-750CL-P85-125L-MAG	G00006-a2-T6-B1-Rm4-P1-L3	30°-6T-100w-750CL-P85-125L-MAG	G00006-a3-T6-B1-Rm4-P1-L3	45°-6T-100w-750CL-P85-125L-MAG
G00006-a1-T7-B1-Rm4-P1-L3	15°-7T-100w-750CL-P85-125L-MAG	G00006-a2-T7-B1-Rm4-P1-L3	30°-7T-100w-750CL-P85-125L-MAG	G00006-a3-T7-B1-Rm4-P1-L3	45°-7T-100w-750CL-P85-125L-MAG
G00006-a1-T8-B1-Rm4-P1-L3	15°-8T-100w-750CL-P85-125L-MAG	G00006-a2-T8-B1-Rm4-P1-L3	30°-8T-100w-750CL-P85-125L-MAG	G00006-a3-T8-B1-Rm4-P1-L3	45°-8T-100w-750CL-P85-125L-MAG
α 60°		α 75°		α 90°	
CODE	DESCRIPTION	CODE	DESCRIPTION	CODE	DESCRIPTION
G00006-a4-T1-B1-Rm4-P0-L3	60°-1T-100w-750CL-125L-MAG	G00006-a5-T1-B1-Rm4-P0-L3	75°-1T-100w-750CL-125L-MAG	G00006-a6-T1-B1-Rm4-P0-L3	90°-1T-100w-750CL-125L-MAG
G00006-a4-T2-B1-Rm4-P1-L3	60°-2T-100w-750CL-P85-125L-MAG	G00006-a5-T2-B1-Rm4-P1-L3	75°-2T-100w-750CL-P85-125L-MAG	G00006-a6-T2-B1-Rm4-P1-L3	90°-2T-100w-750CL-P85-125L-MAG
G00006-a4-T3-B1-Rm4-P1-L3	60°-3T-100w-750CL-P85-125L-MAG	G00006-a5-T3-B1-Rm4-P1-L3	75°-3T-100w-750CL-P85-125L-MAG	G00006-a6-T3-B1-Rm4-P1-L3	90°-3T-100w-750CL-P85-125L-MAG
G00006-a4-T4-B1-Rm4-P1-L3	60°-4T-100w-750CL-P85-125L-MAG	G00006-a5-T4-B1-Rm4-P1-L3	75°-4T-100w-750CL-P85-125L-MAG	G00006-a6-T4-B1-Rm4-P1-L3	90°-4T-100w-750CL-P85-125L-MAG
G00006-a4-T5-B1-Rm4-P1-L3	60°-5T-100w-750CL-P85-125L-MAG	G00006-a5-T5-B1-Rm4-P1-L3	75°-5T-100w-750CL-P85-125L-MAG	G00006-a6-T5-B1-Rm4-P1-L3	90°-5T-100w-750CL-P85-125L-MAG
G00006-a4-T6-B1-Rm4-P1-L3	60°-6T-100w-750CL-P85-125L-MAG	G00006-a5-T6-B1-Rm4-P1-L3	75°-6T-100w-750CL-P85-125L-MAG	G00006-a6-T6-B1-Rm4-P1-L3	90°-6T-100w-750CL-P85-125L-MAG
G00006-a4-T7-B1-Rm4-P1-L3	60°-7T-100w-750CL-P85-125L-MAG	G00006-a5-T7-B1-Rm4-P1-L3	75°-7T-100w-750CL-P85-125L-MAG	G00006-a6-T7-B1-Rm4-P1-L3	90°-7T-100w-750CL-P85-125L-MAG
G00006-a4-T8-B1-Rm4-P1-L3	60°-8T-100w-750CL-P85-125L-MAG	G00006-a5-T8-B1-Rm4-P1-L3	75°-8T-100w-750CL-P85-125L-MAG	G00006-a6-T8-B1-Rm4-P1-L3	90°-8T-100w-750CL-P85-125L-MAG

NON STANDARD SIZES ARE AVAILABLE ON REQUEST.
STANDARD ORDER QTY: PER SET



CHAINS/BELTS
PG. E44 - E50



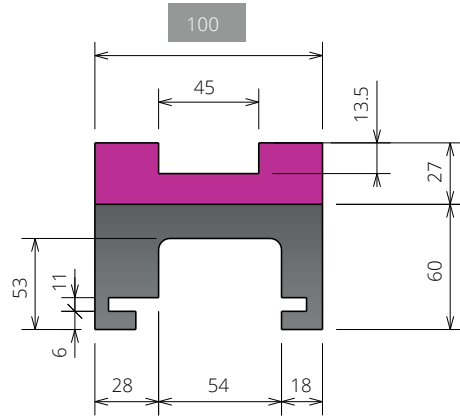
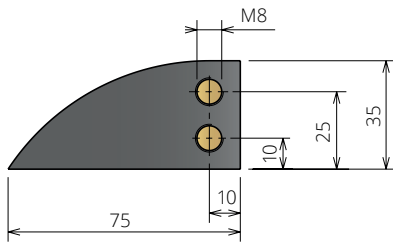
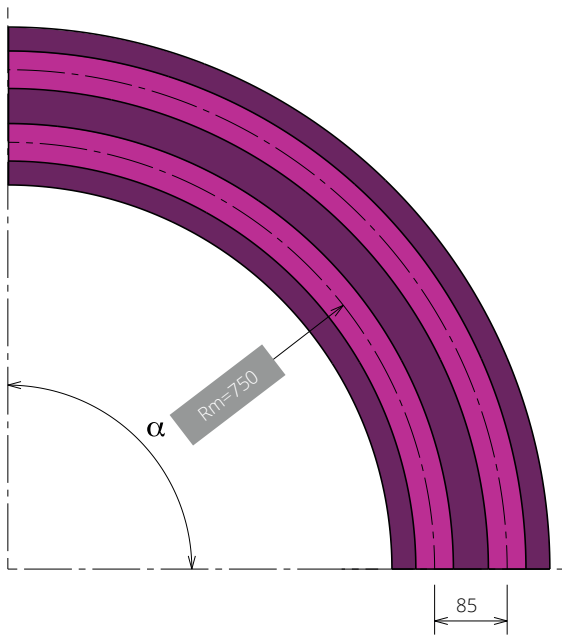
MATERIALS



TABLE OF
CONTENTS

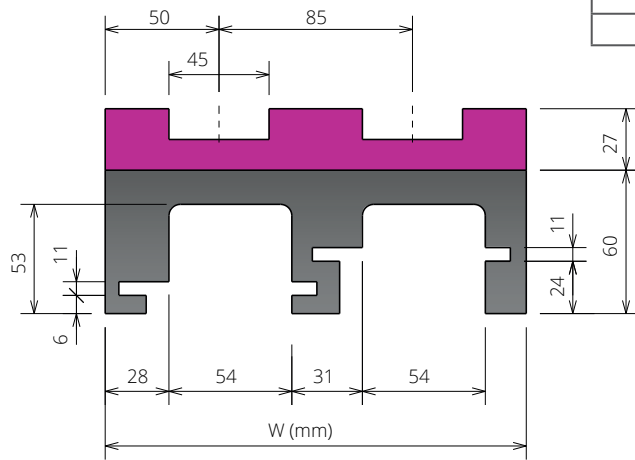


BACK TO CORNER TRACKS/
CURVES/BENDS INDEX (G)



SINGLE TRACK - G00006-a6-T1-B1-Rm4-P0-L0

TRACKS	W
1	100
2	185
3	270
4	355
5	440
6	525
7	610
8	695

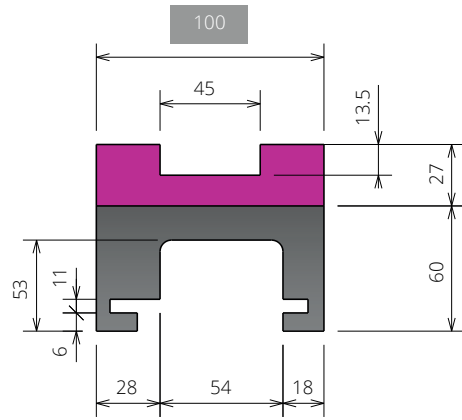
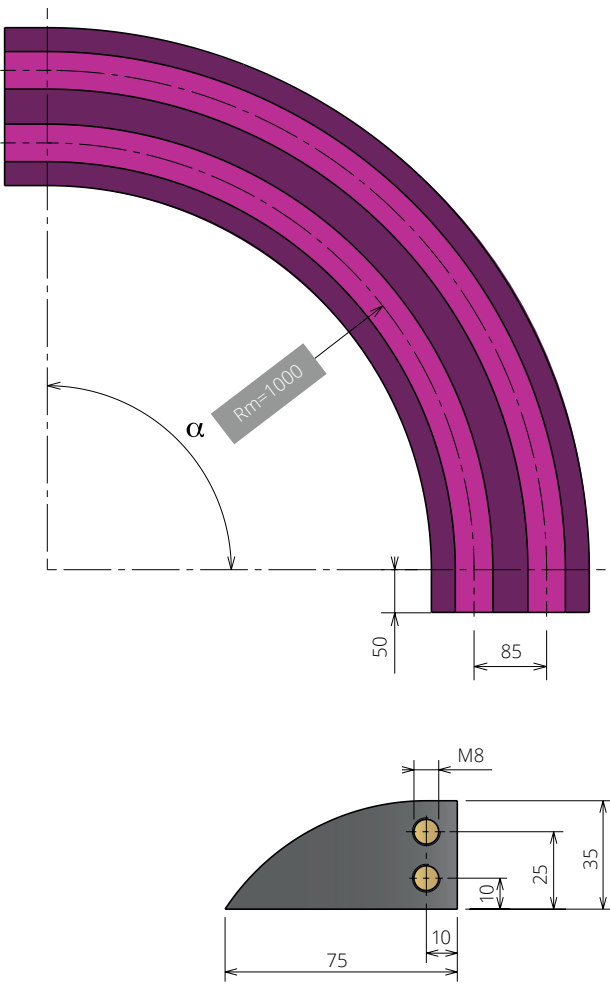


MULTI TRACK - G00006-a6-T2-B1-Rm4-P1-L0

Rm = 750mm - MULTI TRACK - NO LEAD IN / LEAD OUT

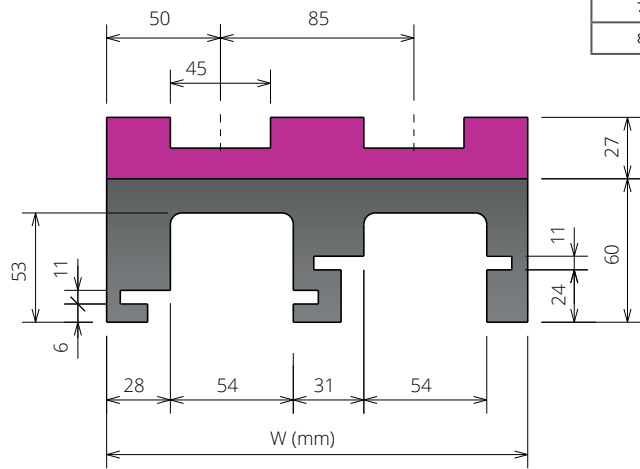
$\alpha 15^\circ$		$\alpha 30^\circ$		$\alpha 45^\circ$	
CODE	DESCRIPTION	CODE	DESCRIPTION	CODE	DESCRIPTION
G00006-a1-T1-B1-Rm4-P0-L0	15°-1T-100w-750CL-OL-MAG	G00006-a2-T1-B1-Rm4-P0-L0	30°-1T-100w-750CL-OL-MAG	G00006-a3-T1-B1-Rm4-P0-L0	45°-1T-100w-750CL-OL-MAG
G00006-a1-T2-B1-Rm4-P1-L0	15°-2T-100w-750CL-P85-OL-MAG	G00006-a2-T2-B1-Rm4-P1-L0	30°-2T-100w-750CL-P85-OL-MAG	G00006-a3-T2-B1-Rm4-P1-L0	45°-2T-100w-750CL-P85-OL-MAG
G00006-a1-T3-B1-Rm4-P1-L0	15°-3T-100w-750CL-P85-OL-MAG	G00006-a2-T3-B1-Rm4-P1-L0	30°-3T-100w-750CL-P85-OL-MAG	G00006-a3-T3-B1-Rm4-P1-L0	45°-3T-100w-750CL-P85-OL-MAG
G00006-a1-T4-B1-Rm4-P1-L0	15°-4T-100w-750CL-P85-OL-MAG	G00006-a2-T4-B1-Rm4-P1-L0	30°-4T-100w-750CL-P85-OL-MAG	G00006-a3-T4-B1-Rm4-P1-L0	45°-4T-100w-750CL-P85-OL-MAG
G00006-a1-T5-B1-Rm4-P1-L0	15°-5T-100w-750CL-P85-OL-MAG	G00006-a2-T5-B1-Rm4-P1-L0	30°-5T-100w-750CL-P85-OL-MAG	G00006-a3-T5-B1-Rm4-P1-L0	45°-5T-100w-750CL-P85-OL-MAG
G00006-a1-T6-B1-Rm4-P1-L0	15°-6T-100w-750CL-P85-OL-MAG	G00006-a2-T6-B1-Rm4-P1-L0	30°-6T-100w-750CL-P85-OL-MAG	G00006-a3-T6-B1-Rm4-P1-L0	45°-6T-100w-750CL-P85-OL-MAG
G00006-a1-T7-B1-Rm4-P1-L0	15°-7T-100w-750CL-P85-OL-MAG	G00006-a2-T7-B1-Rm4-P1-L0	30°-7T-100w-750CL-P85-OL-MAG	G00006-a3-T7-B1-Rm4-P1-L0	45°-7T-100w-750CL-P85-OL-MAG
G00006-a1-T8-B1-Rm4-P1-L0	15°-8T-100w-750CL-P85-OL-MAG	G00006-a2-T8-B1-Rm4-P1-L0	30°-8T-100w-750CL-P85-OL-MAG	G00006-a3-T8-B1-Rm4-P1-L0	45°-8T-100w-750CL-P85-OL-MAG
$\alpha 60^\circ$		$\alpha 75^\circ$		$\alpha 90^\circ$	
CODE	DESCRIPTION	CODE	DESCRIPTION	CODE	DESCRIPTION
G00006-a4-T1-B1-Rm4-P0-L0	60°-1T-100w-750CL-OL-MAG	G00006-a5-T1-B1-Rm4-P0-L0	75°-1T-100w-750CL-OL-MAG	G00006-a6-T1-B1-Rm4-P0-L0	90°-1T-100w-750CL-OL-MAG
G00006-a4-T2-B1-Rm4-P1-L0	60°-2T-100w-750CL-P85-OL-MAG	G00006-a5-T2-B1-Rm4-P1-L0	75°-2T-100w-750CL-P85-OL-MAG	G00006-a6-T2-B1-Rm4-P1-L0	90°-2T-100w-750CL-P85-OL-MAG
G00006-a4-T3-B1-Rm4-P1-L0	60°-3T-100w-750CL-P85-OL-MAG	G00006-a5-T3-B1-Rm4-P1-L0	75°-3T-100w-750CL-P85-OL-MAG	G00006-a6-T3-B1-Rm4-P1-L0	90°-3T-100w-750CL-P85-OL-MAG
G00006-a4-T4-B1-Rm4-P1-L0	60°-4T-100w-750CL-P85-OL-MAG	G00006-a5-T4-B1-Rm4-P1-L0	75°-4T-100w-750CL-P85-OL-MAG	G00006-a6-T4-B1-Rm4-P1-L0	90°-4T-100w-750CL-P85-OL-MAG
G00006-a4-T5-B1-Rm4-P1-L0	60°-5T-100w-750CL-P85-OL-MAG	G00006-a5-T5-B1-Rm4-P1-L0	75°-5T-100w-750CL-P85-OL-MAG	G00006-a6-T5-B1-Rm4-P1-L0	90°-5T-100w-750CL-P85-OL-MAG
G00006-a4-T6-B1-Rm4-P1-L0	60°-6T-100w-750CL-P85-OL-MAG	G00006-a5-T6-B1-Rm4-P1-L0	75°-6T-100w-750CL-P85-OL-MAG	G00006-a6-T6-B1-Rm4-P1-L0	90°-6T-100w-750CL-P85-OL-MAG
G00006-a4-T7-B1-Rm4-P1-L0	60°-7T-100w-750CL-P85-OL-MAG	G00006-a5-T7-B1-Rm4-P1-L0	75°-7T-100w-750CL-P85-OL-MAG	G00006-a6-T7-B1-Rm4-P1-L0	90°-7T-100w-750CL-P85-OL-MAG
G00006-a4-T8-B1-Rm4-P1-L0	60°-8T-100w-750CL-P85-OL-MAG	G00006-a5-T8-B1-Rm4-P1-L0	75°-8T-100w-750CL-P85-OL-MAG	G00006-a6-T8-B1-Rm4-P1-L0	90°-8T-100w-750CL-P85-OL-MAG

NON STANDARD SIZES ARE AVAILABLE ON REQUEST.
STANDARD ORDER QTY: PER SET



SINGLE TRACK - G00006-a6-T1-B1-Rm6-P0-L1

TRACKS	W
1	100
2	185
3	270
4	355
5	440
6	525
7	610
8	695

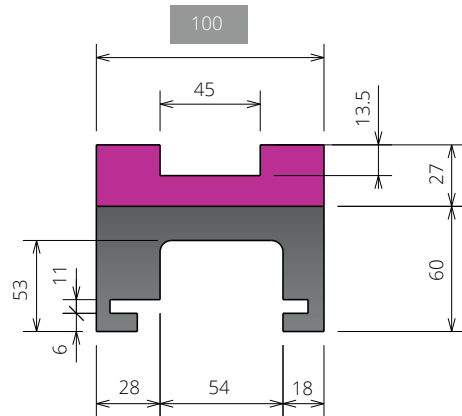
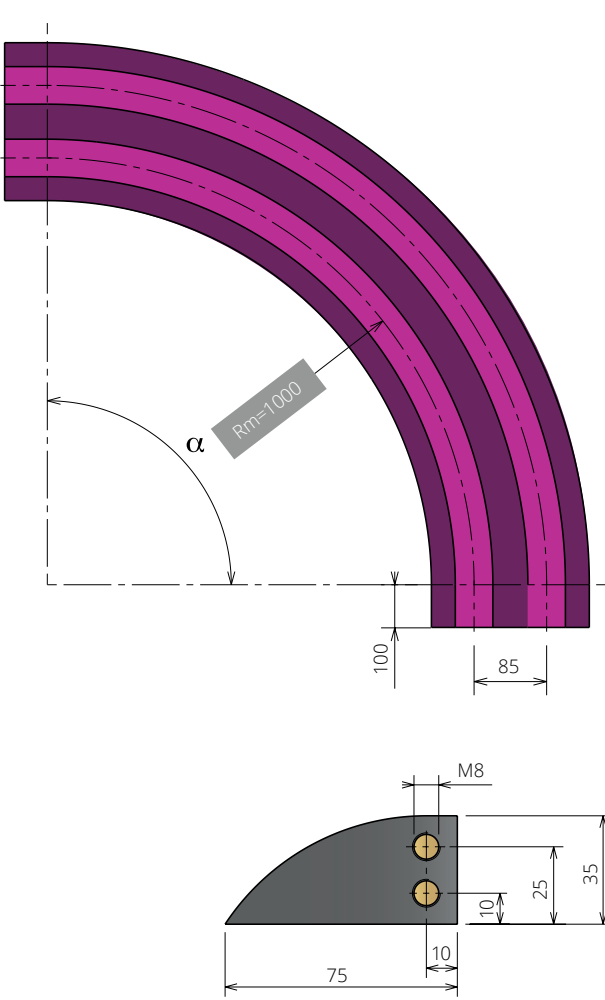


MULTI TRACK - G00006-a6-T2-B1-Rm6-P1-L1

Rm = 1000mm - MULTI TRACK - 50mm LEAD IN / LEAD OUT

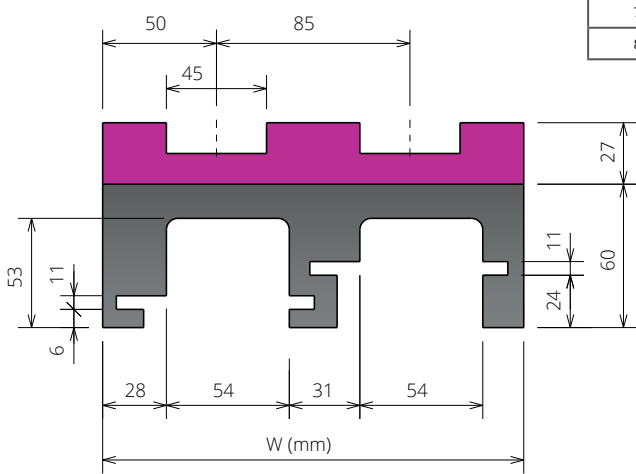
$\alpha 15^\circ$		$\alpha 30^\circ$		$\alpha 45^\circ$	
CODE	DESCRIPTION	CODE	DESCRIPTION	CODE	DESCRIPTION
G00006-a1-T1-B1-Rm6-P0-L1	15°-1T-100w-1000CL-50L-MAG	G00006-a2-T1-B1-Rm6-P0-L1	30°-1T-100w-1000CL-50L-MAG	G00006-a3-T1-B1-Rm6-P0-L1	45°-1T-100w-1000CL-50L-MAG
G00006-a1-T2-B1-Rm6-P1-L1	15°-2T-100w-1000CL-P85-50L-MAG	G00006-a2-T2-B1-Rm6-P1-L1	30°-2T-100w-1000CL-P85-50L-MAG	G00006-a3-T2-B1-Rm6-P1-L1	45°-2T-100w-1000CL-P85-50L-MAG
G00006-a1-T3-B1-Rm6-P1-L1	15°-3T-100w-1000CL-P85-50L-MAG	G00006-a2-T3-B1-Rm6-P1-L1	30°-3T-100w-1000CL-P85-50L-MAG	G00006-a3-T3-B1-Rm6-P1-L1	45°-3T-100w-1000CL-P85-50L-MAG
G00006-a1-T4-B1-Rm6-P1-L1	15°-4T-100w-1000CL-P85-50L-MAG	G00006-a2-T4-B1-Rm6-P1-L1	30°-4T-100w-1000CL-P85-50L-MAG	G00006-a3-T4-B1-Rm6-P1-L1	45°-4T-100w-1000CL-P85-50L-MAG
G00006-a1-T5-B1-Rm6-P1-L1	15°-5T-100w-1000CL-P85-50L-MAG	G00006-a2-T5-B1-Rm6-P1-L1	30°-5T-100w-1000CL-P85-50L-MAG	G00006-a3-T5-B1-Rm6-P1-L1	45°-5T-100w-1000CL-P85-50L-MAG
G00006-a1-T6-B1-Rm6-P1-L1	15°-6T-100w-1000CL-P85-50L-MAG	G00006-a2-T6-B1-Rm6-P1-L1	30°-6T-100w-1000CL-P85-50L-MAG	G00006-a3-T6-B1-Rm6-P1-L1	45°-6T-100w-1000CL-P85-50L-MAG
G00006-a1-T7-B1-Rm6-P1-L1	15°-7T-100w-1000CL-P85-50L-MAG	G00006-a2-T7-B1-Rm6-P1-L1	30°-7T-100w-1000CL-P85-50L-MAG	G00006-a3-T7-B1-Rm6-P1-L1	45°-7T-100w-1000CL-P85-50L-MAG
G00006-a1-T8-B1-Rm6-P1-L1	15°-8T-100w-1000CL-P85-50L-MAG	G00006-a2-T8-B1-Rm6-P1-L1	30°-8T-100w-1000CL-P85-50L-MAG	G00006-a3-T8-B1-Rm6-P1-L1	45°-8T-100w-1000CL-P85-50L-MAG
$\alpha 60^\circ$		$\alpha 75^\circ$		$\alpha 90^\circ$	
CODE	DESCRIPTION	CODE	DESCRIPTION	CODE	DESCRIPTION
G00006-a4-T1-B1-Rm6-P0-L1	60°-1T-100w-1000CL-50L-MAG	G00006-a5-T1-B1-Rm6-P0-L1	75°-1T-100w-1000CL-50L-MAG	G00006-a6-T1-B1-Rm6-P0-L1	90°-1T-100w-1000CL-50L-MAG
G00006-a4-T2-B1-Rm6-P1-L1	60°-2T-100w-1000CL-P85-50L-MAG	G00006-a5-T2-B1-Rm6-P1-L1	75°-2T-100w-1000CL-P85-50L-MAG	G00006-a6-T2-B1-Rm6-P1-L1	90°-2T-100w-1000CL-P85-50L-MAG
G00006-a4-T3-B1-Rm6-P1-L1	60°-3T-100w-1000CL-P85-50L-MAG	G00006-a5-T3-B1-Rm6-P1-L1	75°-3T-100w-1000CL-P85-50L-MAG	G00006-a6-T3-B1-Rm6-P1-L1	90°-3T-100w-1000CL-P85-50L-MAG
G00006-a4-T4-B1-Rm6-P1-L1	60°-4T-100w-1000CL-P85-50L-MAG	G00006-a5-T4-B1-Rm6-P1-L1	75°-4T-100w-1000CL-P85-50L-MAG	G00006-a6-T4-B1-Rm6-P1-L1	90°-4T-100w-1000CL-P85-50L-MAG
G00006-a4-T5-B1-Rm6-P1-L1	60°-5T-100w-1000CL-P85-50L-MAG	G00006-a5-T5-B1-Rm6-P1-L1	75°-5T-100w-1000CL-P85-50L-MAG	G00006-a6-T5-B1-Rm6-P1-L1	90°-5T-100w-1000CL-P85-50L-MAG
G00006-a4-T6-B1-Rm6-P1-L1	60°-6T-100w-1000CL-P85-50L-MAG	G00006-a5-T6-B1-Rm6-P1-L1	75°-6T-100w-1000CL-P85-50L-MAG	G00006-a6-T6-B1-Rm6-P1-L1	90°-6T-100w-1000CL-P85-50L-MAG
G00006-a4-T7-B1-Rm6-P1-L1	60°-7T-100w-1000CL-P85-50L-MAG	G00006-a5-T7-B1-Rm6-P1-L1	75°-7T-100w-1000CL-P85-50L-MAG	G00006-a6-T7-B1-Rm6-P1-L1	90°-7T-100w-1000CL-P85-50L-MAG
G00006-a4-T8-B1-Rm6-P1-L1	60°-8T-100w-1000CL-P85-50L-MAG	G00006-a5-T8-B1-Rm6-P1-L1	75°-8T-100w-1000CL-P85-50L-MAG	G00006-a6-T8-B1-Rm6-P1-L1	90°-8T-100w-1000CL-P85-50L-MAG

NON STANDARD SIZES ARE AVAILABLE ON REQUEST.
STANDARD ORDER QTY: PER SET



SINGLE TRACK - G00006-a6-T1-B1-Rm6-P0-L2

TRACKS	W
1	100
2	185
3	270
4	355
5	440
6	525
7	610
8	695

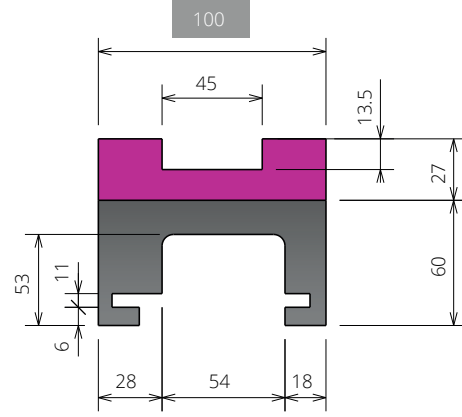
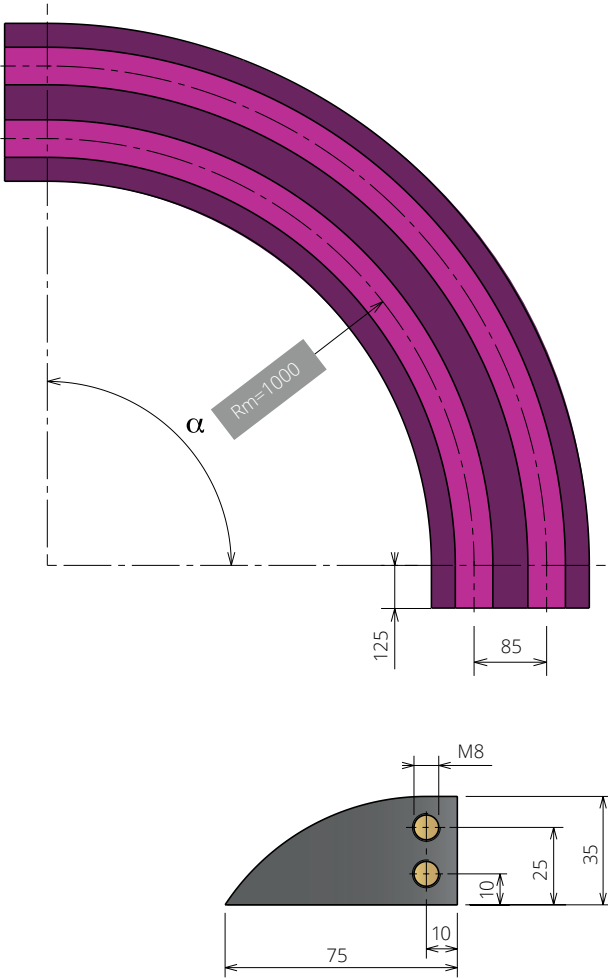


MULTI TRACK - G00006-a6-T2-B1-Rm6-P1-L2

Rm = 1000mm - MULTI TRACK - 100mm LEAD IN / LEAD OUT

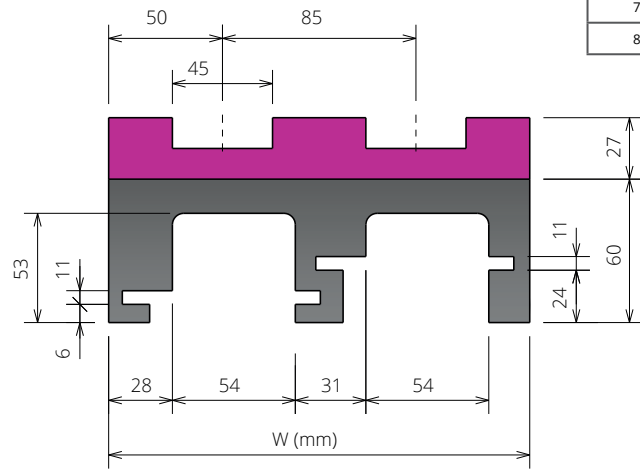
$\alpha 15^\circ$		$\alpha 30^\circ$		$\alpha 45^\circ$	
CODE	DESCRIPTION	CODE	DESCRIPTION	CODE	DESCRIPTION
G00006-a1-T1-B1-Rm6-P0-L2	15°-1T-100w-1000CL-100L-MAG	G00006-a2-T1-B1-Rm6-P0-L2	30°-1T-100w-1000CL-100L-MAG	G00006-a3-T1-B1-Rm6-P0-L2	45°-1T-100w-1000CL-100L-MAG
G00006-a1-T2-B1-Rm6-P1-L2	15°-2T-100w-1000CL-P85-100L-MAG	G00006-a2-T2-B1-Rm6-P1-L2	30°-2T-100w-1000CL-P85-100L-MAG	G00006-a3-T2-B1-Rm6-P1-L2	45°-2T-100w-1000CL-P85-100L-MAG
G00006-a1-T3-B1-Rm6-P1-L2	15°-3T-100w-1000CL-P85-100L-MAG	G00006-a2-T3-B1-Rm6-P1-L2	30°-3T-100w-1000CL-P85-100L-MAG	G00006-a3-T3-B1-Rm6-P1-L2	45°-3T-100w-1000CL-P85-100L-MAG
G00006-a1-T4-B1-Rm6-P1-L2	15°-4T-100w-1000CL-P85-100L-MAG	G00006-a2-T4-B1-Rm6-P1-L2	30°-4T-100w-1000CL-P85-100L-MAG	G00006-a3-T4-B1-Rm6-P1-L2	45°-4T-100w-1000CL-P85-100L-MAG
G00006-a1-T5-B1-Rm6-P1-L2	15°-5T-100w-1000CL-P85-100L-MAG	G00006-a2-T5-B1-Rm6-P1-L2	30°-5T-100w-1000CL-P85-100L-MAG	G00006-a3-T5-B1-Rm6-P1-L2	45°-5T-100w-1000CL-P85-100L-MAG
G00006-a1-T6-B1-Rm6-P1-L2	15°-6T-100w-1000CL-P85-100L-MAG	G00006-a2-T6-B1-Rm6-P1-L2	30°-6T-100w-1000CL-P85-100L-MAG	G00006-a3-T6-B1-Rm6-P1-L2	45°-6T-100w-1000CL-P85-100L-MAG
G00006-a1-T7-B1-Rm6-P1-L2	15°-7T-100w-1000CL-P85-100L-MAG	G00006-a2-T7-B1-Rm6-P1-L2	30°-7T-100w-1000CL-P85-100L-MAG	G00006-a3-T7-B1-Rm6-P1-L2	45°-7T-100w-1000CL-P85-100L-MAG
G00006-a1-T8-B1-Rm6-P1-L2	15°-8T-100w-1000CL-P85-100L-MAG	G00006-a2-T8-B1-Rm6-P1-L2	30°-8T-100w-1000CL-P85-100L-MAG	G00006-a3-T8-B1-Rm6-P1-L2	45°-8T-100w-1000CL-P85-100L-MAG
$\alpha 60^\circ$		$\alpha 75^\circ$		$\alpha 90^\circ$	
CODE	DESCRIPTION	CODE	DESCRIPTION	CODE	DESCRIPTION
G00006-a4-T1-B1-Rm6-P0-L2	60°-1T-100w-1000CL-100L-MAG	G00006-a5-T1-B1-Rm6-P0-L2	75°-1T-100w-1000CL-100L-MAG	G00006-a6-T1-B1-Rm6-P0-L2	90°-1T-100w-1000CL-100L-MAG
G00006-a4-T2-B1-Rm6-P1-L2	60°-2T-100w-1000CL-P85-100L-MAG	G00006-a5-T2-B1-Rm6-P1-L2	75°-2T-100w-1000CL-P85-100L-MAG	G00006-a6-T2-B1-Rm6-P1-L2	90°-2-T100w-1000CL-P85-100L-MAG
G00006-a4-T3-B1-Rm6-P1-L2	60°-3T-100w-1000CL-P85-100L-MAG	G00006-a5-T3-B1-Rm6-P1-L2	75°-3T-100w-1000CL-P85-100L-MAG	G00006-a6-T3-B1-Rm6-P1-L2	90°-3T-100w-1000CL-P85-100L-MAG
G00006-a4-T4-B1-Rm6-P1-L2	60°-4T-100w-1000CL-P85-100L-MAG	G00006-a5-T4-B1-Rm6-P1-L2	75°-4T-100w-1000CL-P85-100L-MAG	G00006-a6-T4-B1-Rm6-P1-L2	90°-4T-100w-1000CL-P85-100L-MAG
G00006-a4-T5-B1-Rm6-P1-L2	60°-5T-100w-1000CL-P85-100L-MAG	G00006-a5-T5-B1-Rm6-P1-L2	75°-5T-100w-1000CL-P85-100L-MAG	G00006-a6-T5-B1-Rm6-P1-L2	90°-5T-100w-1000CL-P85-100L-MAG
G00006-a4-T6-B1-Rm6-P1-L2	60°-6T-100w-1000CL-P85-100L-MAG	G00006-a5-T6-B1-Rm6-P1-L2	75°-6T-100w-1000CL-P85-100L-MAG	G00006-a6-T6-B1-Rm6-P1-L2	90°-6T-100w-1000CL-P85-100L-MAG
G00006-a4-T7-B1-Rm6-P1-L2	60°-7T-100w-1000CL-P85-100L-MAG	G00006-a5-T7-B1-Rm6-P1-L2	75°-7T-100w-1000CL-P85-100L-MAG	G00006-a6-T7-B1-Rm6-P1-L2	90°-7T-100w-1000CL-P85-100L-MAG
G00006-a4-T8-B1-Rm6-P1-L2	60°-8T-100w-1000CL-P85-100L-MAG	G00006-a5-T8-B1-Rm6-P1-L2	75°-8T-100w-1000CL-P85-100L-MAG	G00006-a6-T8-B1-Rm6-P1-L2	90°-8T-100w-1000CL-P85-100L-MAG

NON STANDARD SIZES ARE AVAILABLE ON REQUEST.
STANDARD ORDER QTY: PER SET



SINGLE TRACK - G00006-a6-T1-B1-Rm6-P0-L3

TRACKS	W
1	100
2	185
3	270
4	355
5	440
6	525
7	610
8	695

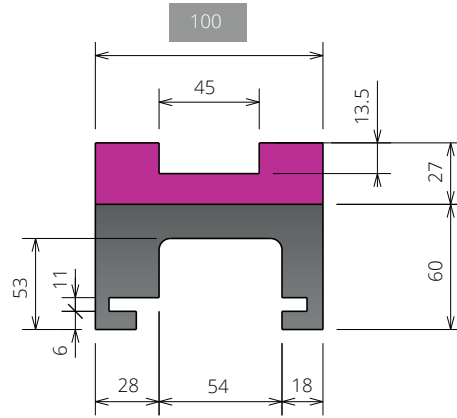
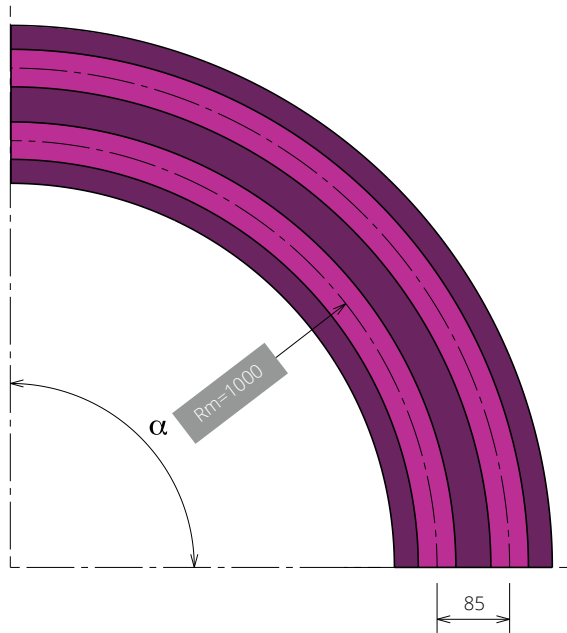


MULTI TRACK - G00006-a6-T2-B1-Rm6-P1-L3

Rm = 1000mm - MULTI TRACK - 125mm LEAD IN / LEAD OUT

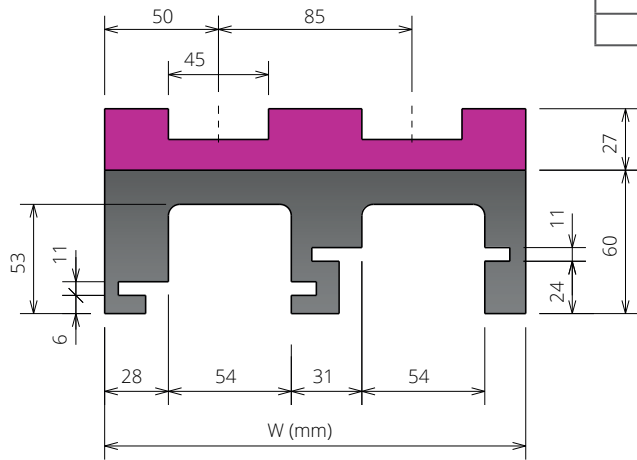
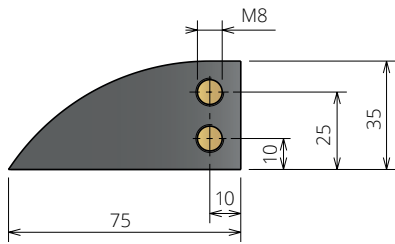
α 15°		α 30°		α 45°	
CODE	DESCRIPTION	CODE	DESCRIPTION	CODE	DESCRIPTION
G00006-a1-T1-B1-Rm6-P0-L3	15°-1T-100w-1000CL-125L-MAG	G00006-a2-T1-B1-Rm6-P0-L3	30°-1T-100w-1000CL-125L-MAG	G00006-a3-T1-B1-Rm6-P0-L3	45°-1T-100w-1000CL-125L-MAG
G00006-a1-T2-B1-Rm6-P1-L3	15°-2T-100w-1000CL-P85-125L-MAG	G00006-a2-T2-B1-Rm6-P1-L3	30°-2T-100w-1000CL-P85-125L-MAG	G00006-a3-T2-B1-Rm6-P1-L3	45°-2T-100w-1000CL-P85-125L-MAG
G00006-a1-T3-B1-Rm6-P1-L3	15°-3T-100w-1000CL-P85-125L-MAG	G00006-a2-T3-B1-Rm6-P1-L3	30°-3T-100w-1000CL-P85-125L-MAG	G00006-a3-T3-B1-Rm6-P1-L3	45°-3T-100w-1000CL-P85-125L-MAG
G00006-a1-T4-B1-Rm6-P1-L3	15°-4T-100w-1000CL-P85-125L-MAG	G00006-a2-T4-B1-Rm6-P1-L3	30°-4T-100w-1000CL-P85-125L-MAG	G00006-a3-T4-B1-Rm6-P1-L3	45°-4T-100w-1000CL-P85-125L-MAG
G00006-a1-T5-B1-Rm6-P1-L3	15°-5T-100w-1000CL-P85-125L-MAG	G00006-a2-T5-B1-Rm6-P1-L3	30°-5T-100w-1000CL-P85-125L-MAG	G00006-a3-T5-B1-Rm6-P1-L3	45°-5T-100w-1000CL-P85-125L-MAG
G00006-a1-T6-B1-Rm6-P1-L3	15°-6T-100w-1000CL-P85-125L-MAG	G00006-a2-T6-B1-Rm6-P1-L3	30°-6T-100w-1000CL-P85-125L-MAG	G00006-a3-T6-B1-Rm6-P1-L3	45°-6T-100w-1000CL-P85-125L-MAG
G00006-a1-T7-B1-Rm6-P1-L3	15°-7T-100w-1000CL-P85-125L-MAG	G00006-a2-T7-B1-Rm6-P1-L3	30°-7T-100w-1000CL-P85-125L-MAG	G00006-a3-T7-B1-Rm6-P1-L3	45°-7T-100w-1000CL-P85-125L-MAG
G00006-a1-T8-B1-Rm6-P1-L3	15°-8T-100w-1000CL-P85-125L-MAG	G00006-a2-T8-B1-Rm6-P1-L3	30°-8T-100w-1000CL-P85-125L-MAG	G00006-a3-T8-B1-Rm6-P1-L3	45°-8T-100w-1000CL-P85-125L-MAG
α 60°		α 75°		α 90°	
CODE	DESCRIPTION	CODE	DESCRIPTION	CODE	DESCRIPTION
G00006-a4-T1-B1-Rm6-P0-L3	60°-1T-100w-1000CL-125L-MAG	G00006-a5-T1-B1-Rm6-P0-L3	75°-1T-100w-1000CL-125L-MAG	G00006-a6-T1-B1-Rm6-P0-L3	90°-1T-100w-1000CL-125L-MAG
G00006-a4-T2-B1-Rm6-P1-L3	60°-2T-100w-1000CL-P85-125L-MAG	G00006-a5-T2-B1-Rm6-P1-L3	75°-2T-100w-1000CL-P85-125L-MAG	G00006-a6-T2-B1-Rm6-P1-L3	90°-2T-100w-1000CL-P85-125L-MAG
G00006-a4-T3-B1-Rm6-P1-L3	60°-3T-100w-1000CL-P85-125L-MAG	G00006-a5-T3-B1-Rm6-P1-L3	75°-3T-100w-1000CL-P85-125L-MAG	G00006-a6-T3-B1-Rm6-P1-L3	90°-3T-100w-1000CL-P85-125L-MAG
G00006-a4-T4-B1-Rm6-P1-L3	60°-4T-100w-1000CL-P85-125L-MAG	G00006-a5-T4-B1-Rm6-P1-L3	75°-4T-100w-1000CL-P85-125L-MAG	G00006-a6-T4-B1-Rm6-P1-L3	90°-4T-100w-1000CL-P85-125L-MAG
G00006-a4-T5-B1-Rm6-P1-L3	60°-5T-100w-1000CL-P85-125L-MAG	G00006-a5-T5-B1-Rm6-P1-L3	75°-5T-100w-1000CL-P85-125L-MAG	G00006-a6-T5-B1-Rm6-P1-L3	90°-5T-100w-1000CL-P85-125L-MAG
G00006-a4-T6-B1-Rm6-P1-L3	60°-6T-100w-1000CL-P85-125L-MAG	G00006-a5-T6-B1-Rm6-P1-L3	75°-6T-100w-1000CL-P85-125L-MAG	G00006-a6-T6-B1-Rm6-P1-L3	90°-6T-100w-1000CL-P85-125L-MAG
G00006-a4-T7-B1-Rm6-P1-L3	60°-7T-100w-1000CL-P85-125L-MAG	G00006-a5-T7-B1-Rm6-P1-L3	75°-7T-100w-1000CL-P85-125L-MAG	G00006-a6-T7-B1-Rm6-P1-L3	90°-7T-100w-1000CL-P85-125L-MAG
G00006-a4-T8-B1-Rm6-P1-L3	60°-8T-100w-1000CL-P85-125L-MAG	G00006-a5-T8-B1-Rm6-P1-L3	75°-8T-100w-1000CL-P85-125L-MAG	G00006-a6-T8-B1-Rm6-P1-L3	90°-8T-100w-1000CL-P85-125L-MAG

NON STANDARD SIZES ARE AVAILABLE ON REQUEST.
STANDARD ORDER QTY: PER SET



SINGLE TRACK - G00006-a6-T1-B1-Rm6-P0-L0

TRACKS	W
1	100
2	185
3	270
4	355
5	440
6	525
7	610
8	695

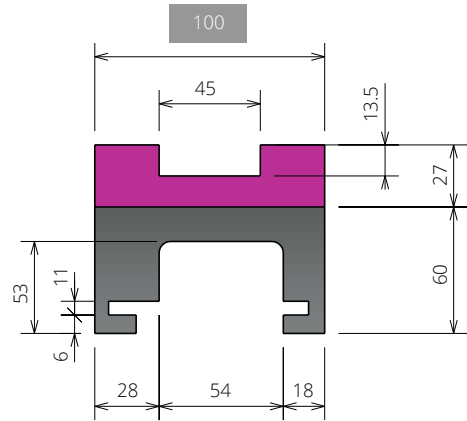
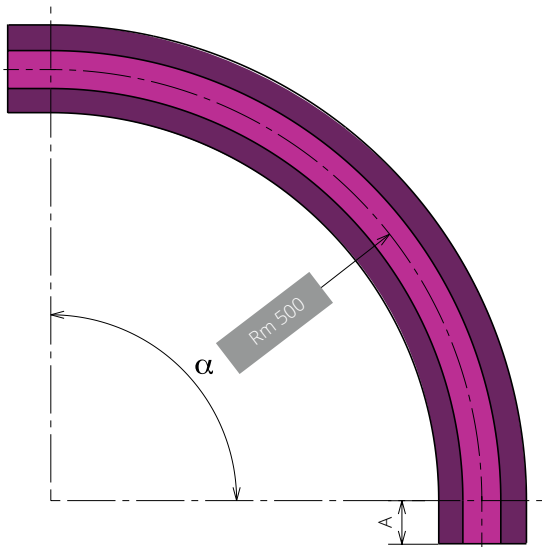


MULTI TRACK - G00006-a6-T2-B1-Rm6-P1-L0

Rm = 1000mm - MULTI TRACK - NO LEAD IN / LEAD OUT

$\alpha 15^\circ$		$\alpha 30^\circ$		$\alpha 45^\circ$	
CODE	DESCRIPTION	CODE	DESCRIPTION	CODE	DESCRIPTION
G00006-a1-T1-B1-Rm6-P0-L0	15°-1T-100w-1000CL-0L-MAG	G00006-a2-T1-B1-Rm6-P0-L0	30°-1T-100w-1000CL-0L-MAG	G00006-a3-T1-B1-Rm6-P0-L0	45°-1T-100w-1000CL-0L-MAG
G00006-a1-T2-B1-Rm6-P1-L0	15°-2T-100w-1000CL-P85-0L-MAG	G00006-a2-T2-B1-Rm6-P1-L0	30°-2T-100w-1000CL-P85-0L-MAG	G00006-a3-T2-B1-Rm6-P1-L0	45°-2T-100w-1000CL-P85-0L-MAG
G00006-a1-T3-B1-Rm6-P1-L0	15°-3T-100w-1000CL-P85-0L-MAG	G00006-a2-T3-B1-Rm6-P1-L0	30°-3T-100w-1000CL-P85-0L-MAG	G00006-a3-T3-B1-Rm6-P1-L0	45°-3T-100w-1000CL-P85-0L-MAG
G00006-a1-T4-B1-Rm6-P1-L0	15°-4T-100w-1000CL-P85-0L-MAG	G00006-a2-T4-B1-Rm6-P1-L0	30°-4T-100w-1000CL-P85-0L-MAG	G00006-a3-T4-B1-Rm6-P1-L0	45°-4T-100w-1000CL-P85-0L-MAG
G00006-a1-T5-B1-Rm6-P1-L0	15°-5T-100w-1000CL-P85-0L-MAG	G00006-a2-T5-B1-Rm6-P1-L0	30°-5T-100w-1000CL-P85-0L-MAG	G00006-a3-T5-B1-Rm6-P1-L0	45°-5T-100w-1000CL-P85-0L-MAG
G00006-a1-T6-B1-Rm6-P1-L0	15°-6T-100w-1000CL-P85-0L-MAG	G00006-a2-T6-B1-Rm6-P1-L0	30°-6T-100w-1000CL-P85-0L-MAG	G00006-a3-T6-B1-Rm6-P1-L0	45°-6T-100w-1000CL-P85-0L-MAG
G00006-a1-T7-B1-Rm6-P1-L0	15°-7T-100w-1000CL-P85-0L-MAG	G00006-a2-T7-B1-Rm6-P1-L0	30°-7T-100w-1000CL-P85-0L-MAG	G00006-a3-T7-B1-Rm6-P1-L0	45°-7T-100w-1000CL-P85-0L-MAG
G00006-a1-T8-B1-Rm6-P1-L0	15°-8T-100w-1000CL-P85-0L-MAG	G00006-a2-T8-B1-Rm6-P1-L0	30°-8T-100w-1000CL-P85-0L-MAG	G00006-a3-T8-B1-Rm6-P1-L0	45°-8T-100w-1000CL-P85-0L-MAG
$\alpha 60^\circ$		$\alpha 75^\circ$		$\alpha 90^\circ$	
CODE	DESCRIPTION	CODE	DESCRIPTION	CODE	DESCRIPTION
G00006-a4-T1-B1-Rm6-P0-L0	60°-1T-100w-1000CL-0L-MAG	G00006-a5-T1-B1-Rm6-P0-L0	75°-1T-100w-1000CL-0L-MAG	G00006-a6-T1-B1-Rm6-P0-L0	90°-1T-100w-1000CL-0L-MAG
G00006-a4-T2-B1-Rm6-P1-L0	60°-2T-100w-1000CL-P85-0L-MAG	G00006-a5-T2-B1-Rm6-P1-L0	75°-2T-100w-1000CL-P85-0L-MAG	G00006-a6-T2-B1-Rm6-P1-L0	90°-2T-100w-1000CL-P85-0L-MAG
G00006-a4-T3-B1-Rm6-P1-L0	60°-3T-100w-1000CL-P85-0L-MAG	G00006-a5-T3-B1-Rm6-P1-L0	75°-3T-100w-1000CL-P85-0L-MAG	G00006-a6-T3-B1-Rm6-P1-L0	90°-3T-100w-1000CL-P85-0L-MAG
G00006-a4-T4-B1-Rm6-P1-L0	60°-4T-100w-1000CL-P85-0L-MAG	G00006-a5-T4-B1-Rm6-P1-L0	75°-4T-100w-1000CL-P85-0L-MAG	G00006-a6-T4-B1-Rm6-P1-L0	90°-4T-100w-1000CL-P85-0L-MAG
G00006-a4-T5-B1-Rm6-P1-L0	60°-5T-100w-1000CL-P85-0L-MAG	G00006-a5-T5-B1-Rm6-P1-L0	75°-5T-100w-1000CL-P85-0L-MAG	G00006-a6-T5-B1-Rm6-P1-L0	90°-5T-100w-1000CL-P85-0L-MAG
G00006-a4-T6-B1-Rm6-P1-L0	60°-6T-100w-1000CL-P85-0L-MAG	G00006-a5-T6-B1-Rm6-P1-L0	75°-6T-100w-1000CL-P85-0L-MAG	G00006-a6-T6-B1-Rm6-P1-L0	90°-6T-100w-1000CL-P85-0L-MAG
G00006-a4-T7-B1-Rm6-P1-L0	60°-7T-100w-1000CL-P85-0L-MAG	G00006-a5-T7-B1-Rm6-P1-L0	75°-7T-100w-1000CL-P85-0L-MAG	G00006-a6-T7-B1-Rm6-P1-L0	90°-7T-100w-1000CL-P85-0L-MAG
G00006-a4-T8-B1-Rm6-P1-L0	60°-8T-100w-1000CL-P85-0L-MAG	G00006-a5-T8-B1-Rm6-P1-L0	75°-8T-100w-1000CL-P85-0L-MAG	G00006-a6-T8-B1-Rm6-P1-L0	90°-8T-100w-1000CL-P85-0L-MAG

NON STANDARD SIZES ARE AVAILABLE ON REQUEST.
STANDARD ORDER QTY: PER SET

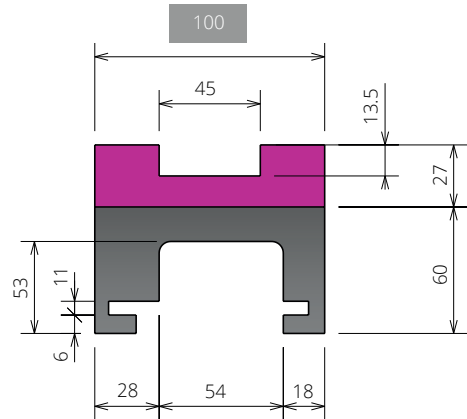
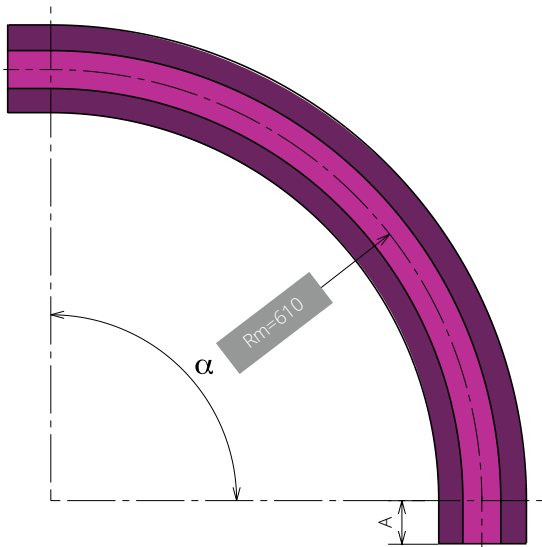


LEAD IN & OUT AVAILABLE IN
125mm - 100mm 50mm AND WITHOUT

Rm = 500mm - SINGLE TRACK

$\alpha 15^\circ$		$\alpha 30^\circ$		$\alpha 45^\circ$	
CODE	DESCRIPTION	CODE	DESCRIPTION	CODE	DESCRIPTION
G00006-a1-T1-B1-Rm1-P0-L0	15°-1T-100w-500CL-0L-MAG	G00006-a2-T1-B1-Rm1-P0-L0	30°-1T-100w-500CL-0L-MAG	G00006-a3-T1-B1-Rm1-P0-L0	45°-1T-100w-500CL-0L-MAG
G00006-a1-T1-B1-Rm1-P0-L1	15°-1T-100w-500CL-50L-MAG	G00006-a2-T1-B1-Rm1-P0-L1	30°-1T-100w-500CL-50L-MAG	G00006-a3-T1-B1-Rm1-P0-L1	45°-1T-100w-500CL-50L-MAG
G00006-a1-T1-B1-Rm1-P0-L2	15°-1T-100w-500CL-100L-MAG	G00006-a2-T1-B1-Rm1-P0-L2	30°-1T-100w-500CL-100L-MAG	G00006-a3-T1-B1-Rm1-P0-L2	45°-1T-100w-500CL-100L-MAG
G00006-a1-T1-B1-Rm1-P0-L3	15°-1T-100w-500CL-125L-MAG	G00006-a2-T1-B1-Rm1-P0-L3	30°-1T-100w-500CL-125L-MAG	G00006-a3-T1-B1-Rm1-P0-L3	45°-1T-100w-500CL-125L-MAG
$\alpha 60^\circ$		$\alpha 75^\circ$		$\alpha 90^\circ$	
CODE	DESCRIPTION	CODE	DESCRIPTION	CODE	DESCRIPTION
G00006-a4-T1-B1-Rm1-P0-L0	60°-1T-100w-500CL-0L-MAG	G00006-a5-T1-B1-Rm1-P0-L0	75°-1T-100w-500CL-0L-MAG	G00006-a6-T1-B1-Rm1-P0-L0	90°-1T-100w-500CL-0L-MAG
G00006-a4-T1-B1-Rm1-P0-L1	60°-1T-100w-500CL-50L-MAG	G00006-a5-T1-B1-Rm1-P0-L1	75°-1T-100w-500CL-50L-MAG	G00006-a6-T1-B1-Rm1-P0-L1	90°-1T-100w-500CL-50L-MAG
G00006-a4-T1-B1-Rm1-P0-L2	60°-1T-100w-500CL-100L-MAG	G00006-a5-T1-B1-Rm1-P0-L2	75°-1T-100w-500CL-100L-MAG	G00006-a6-T1-B1-Rm1-P0-L2	90°-1T-100w-500CL-100L-MAG
G00006-a4-T1-B1-Rm1-P0-L3	60°-1T-100w-500CL-125L-MAG	G00006-a5-T1-B1-Rm1-P0-L3	75°-1T-100w-500CL-125L-MAG	G00006-a6-T1-B1-Rm1-P0-L3	90°-1T-100w-500CL-125L-MAG

NON STANDARD SIZES ARE AVAILABLE ON REQUEST.
STANDARD ORDER QTY: PER SET



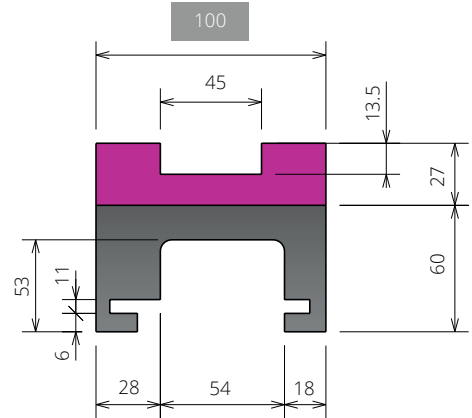
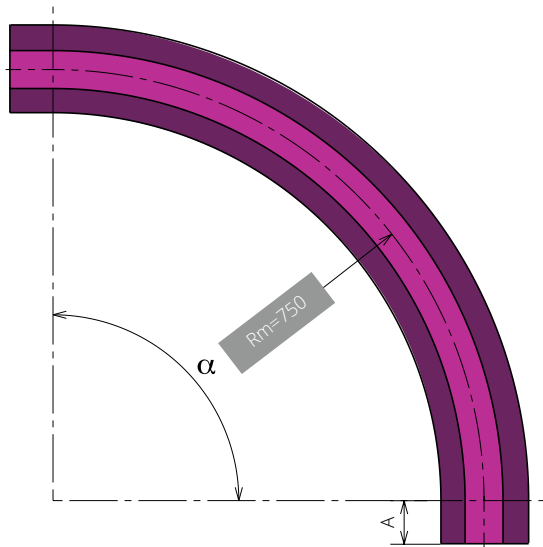
LEAD IN & OUT AVAILABLE IN
125mm - 100mm 50mm AND WITHOUT

Rm = 610mm - SINGLE TRACK

$\alpha 15^\circ$		$\alpha 30^\circ$		$\alpha 45^\circ$	
CODE	DESCRIPTION	CODE	DESCRIPTION	CODE	DESCRIPTION
G00006-a1-T1-B1-Rm2-P0-L0	15°-1T-100w-610CL-0L-MAG	G00006-a2-T1-B1-Rm2-P0-L0	30°-1T-100w-610CL-0L-MAG	G00006-a3-T1-B1-Rm2-P0-L0	45°-1T-100w-610CL-0L-MAG
G00006-a1-T1-B1-Rm2-P0-L1	15°-1T-100w-610CL-50L-MAG	G00006-a2-T1-B1-Rm2-P0-L1	30°-1T-100w-610CL-50L-MAG	G00006-a3-T1-B1-Rm2-P0-L1	45°-1T-100w-610CL-50L-MAG
G00006-a1-T1-B1-Rm2-P0-L2	15°-1T-100w-610CL-100L-MAG	G00006-a2-T1-B1-Rm2-P0-L2	30°-1T-100w-610CL-100L-MAG	G00006-a3-T1-B1-Rm2-P0-L2	45°-1T-100w-610CL-100L-MAG
G00006-a1-T1-B1-Rm2-P0-L3	15°-1T-100w-610CL-125L-MAG	G00006-a2-T1-B1-Rm2-P0-L3	30°-1T-100w-610CL-125L-MAG	G00006-a3-T1-B1-Rm2-P0-L3	45°-1T-100w-610CL-125L-MAG
$\alpha 60^\circ$		$\alpha 75^\circ$		$\alpha 90^\circ$	
CODE	DESCRIPTION	CODE	DESCRIPTION	CODE	DESCRIPTION
G00006-a4-T1-B1-Rm2-P0-L0	60°-1T-100w-610CL-0L-MAG	G00006-a5-T1-B1-Rm2-P0-L0	75°-1T-100w-610CL-0L-MAG	G00006-a6-T1-B1-Rm2-P0-L0	90°-1T-100w-610CL-0L-MAG
G00006-a4-T1-B1-Rm2-P0-L1	60°-1T-100w-610CL-50L-MAG	G00006-a5-T1-B1-Rm2-P0-L1	75°-1T-100w-610CL-50L-MAG	G00006-a6-T1-B1-Rm2-P0-L1	90°-1T-100w-610CL-50L-MAG
G00006-a4-T1-B1-Rm2-P0-L2	60°-1T-100w-610CL-100L-MAG	G00006-a5-T1-B1-Rm2-P0-L2	75°-1T-100w-610CL-100L-MAG	G00006-a6-T1-B1-Rm2-P0-L2	90°-1T-100w-610CL-100L-MAG
G00006-a4-T1-B1-Rm2-P0-L3	60°-1T-100w-610CL-125L-MAG	G00006-a5-T1-B1-Rm2-P0-L3	75°-1T-100w-610CL-125L-MAG	G00006-a6-T1-B1-Rm2-P0-L3	90°-1T-100w-610CL-125L-MAG

NON STANDARD SIZES ARE AVAILABLE ON REQUEST.
STANDARD ORDER QTY: PER SET





LEAD IN & OUT AVAILABLE IN
125mm - 100mm 50mm AND WITHOUT

Rm = 750mm - SINGLE TRACK

$\alpha 15^\circ$		$\alpha 30^\circ$		$\alpha 45^\circ$	
CODE	DESCRIPTION	CODE	DESCRIPTION	CODE	DESCRIPTION
G00006-a1-T1-B1-Rm4-P0-L0	15°-1T-100w-750CL-0L-MAG	G00006-a2-T1-B1-Rm4-P0-L0	30°-1T-100w-750CL-0L-MAG	G00006-a3-T1-B1-Rm4-P0-L0	45°-1T-100w-750CL-0L-MAG
G00006-a1-T1-B1-Rm4-P0-L1	15°-1T-100w-750CL-50L-MAG	G00006-a2-T1-B1-Rm4-P0-L1	30°-1T-100w-750CL-50L-MAG	G00006-a3-T1-B1-Rm4-P0-L1	45°-1T-100w-750CL-50L-MAG
G00006-a1-T1-B1-Rm4-P0-L2	15°-1T-100w-750CL-100L-MAG	G00006-a2-T1-B1-Rm4-P0-L2	30°-1T-100w-750CL-100L-MAG	G00006-a3-T1-B1-Rm4-P0-L2	45°-1T-100w-750CL-100L-MAG
G00006-a1-T1-B1-Rm4-P0-L3	15°-1T-100w-750CL-125L-MAG	G00006-a2-T1-B1-Rm4-P0-L3	30°-1T-100w-750CL-125L-MAG	G00006-a3-T1-B1-Rm4-P0-L3	45°-1T-100w-750CL-125L-MAG
$\alpha 60^\circ$		$\alpha 75^\circ$		$\alpha 90^\circ$	
CODE	DESCRIPTION	CODE	DESCRIPTION	CODE	DESCRIPTION
G00006-a4-T1-B1-Rm4-P0-L0	60°-1T-100w-750CL-0L-MAG	G00006-a5-T1-B1-Rm4-P0-L0	75°-1T-100w-750CL-0L-MAG	G00006-a6-T1-B1-Rm4-P0-L0	90°-1T-100w-750CL-0L-MAG
G00006-a4-T1-B1-Rm4-P0-L1	60°-1T-100w-750CL-50L-MAG	G00006-a5-T1-B1-Rm4-P0-L1	75°-1T-100w-750CL-50L-MAG	G00006-a6-T1-B1-Rm4-P0-L1	90°-1T-100w-750CL-50L-MAG
G00006-a4-T1-B1-Rm4-P0-L2	60°-1T-100w-750CL-100L-MAG	G00006-a5-T1-B1-Rm4-P0-L2	75°-1T-100w-750CL-100L-MAG	G00006-a6-T1-B1-Rm4-P0-L2	90°-1T-100w-750CL-100L-MAG
G00006-a4-T1-B1-Rm4-P0-L3	60°-1T-100w-750CL-125L-MAG	G00006-a5-T1-B1-Rm4-P0-L3	75°-1T-100w-750CL-125L-MAG	G00006-a6-T1-B1-Rm4-P0-L3	90°-1T-100w-750CL-125L-MAG

NON STANDARD SIZES ARE AVAILABLE ON REQUEST.
STANDARD ORDER QTY: PER SET



CHAINS/BELTS
PG. E44 - E50



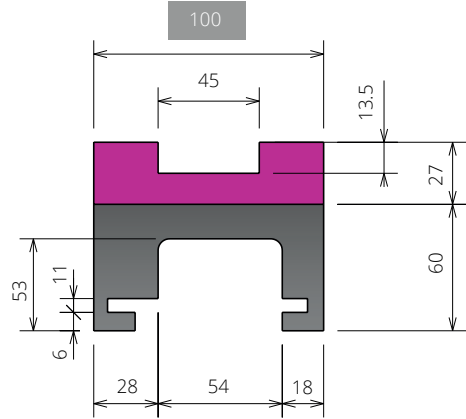
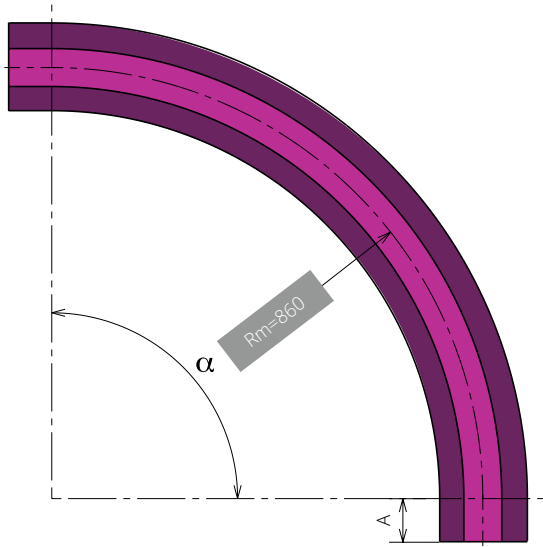
MATERIALS



TABLE OF
CONTENTS



BACK TO CORNER TRACKS/
CURVES/BENDS INDEX (G)



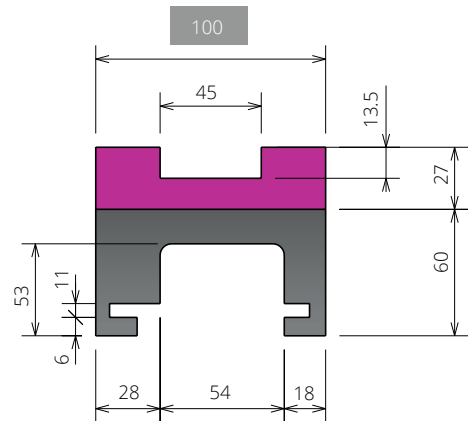
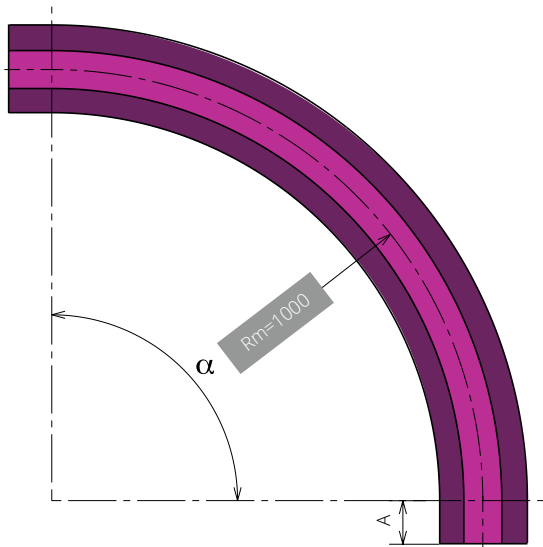
LEAD IN & OUT AVAILABLE IN
125mm - 100mm 50mm AND WITHOUT

Rm = 860mm - SINGLE TRACK

$\alpha 15^\circ$		$\alpha 30^\circ$		$\alpha 45^\circ$	
CODE	DESCRIPTION	CODE	DESCRIPTION	CODE	DESCRIPTION
G00006-a1-T1-B1-Rm5-P0-L0	15°-1T-100w-860CL-0L-MAG	G00006-a2-T1-B1-Rm5-P0-L0	30°-1T-100w-860CL-0L-MAG	G00006-a3-T1-B1-Rm5-P0-L0	45°-1T-100w-860CL-0L-MAG
G00006-a1-T1-B1-Rm5-P0-L1	15°-1T-100w-860CL-50L-MAG	G00006-a2-T1-B1-Rm5-P0-L1	30°-1T-100w-860CL-50L-MAG	G00006-a3-T1-B1-Rm5-P0-L1	45°-1T-100w-860CL-50L-MAG
G00006-a1-T1-B1-Rm5-P0-L2	15°-1T-100w-860CL-100L-MAG	G00006-a2-T1-B1-Rm5-P0-L2	30°-1T-100w-860CL-100L-MAG	G00006-a3-T1-B1-Rm5-P0-L2	45°-1T-100w-860CL-100L-MAG
G00006-a1-T1-B1-Rm5-P0-L3	15°-1T-100w-860CL-125L-MAG	G00006-a2-T1-B1-Rm5-P0-L3	30°-1T-100w-860CL-125L-MAG	G00006-a3-T1-B1-Rm5-P0-L3	45°-1T-100w-860CL-125L-MAG
$\alpha 60^\circ$		$\alpha 75^\circ$		$\alpha 90^\circ$	
CODE	DESCRIPTION	CODE	DESCRIPTION	CODE	DESCRIPTION
G00006-a4-T1-B1-Rm5-P0-L0	60°-1T-100w-860CL-0L-MAG	G00006-a5-T1-B1-Rm5-P0-L0	75°-1T-100w-860CL-0L-MAG	G00006-a6-T1-B1-Rm5-P0-L0	90°-1T-100w-860CL-0L-MAG
G00006-a4-T1-B1-Rm5-P0-L1	60°-1T-100w-860CL-50L-MAG	G00006-a5-T1-B1-Rm5-P0-L1	75°-1T-100w-860CL-50L-MAG	G00006-a6-T1-B1-Rm5-P0-L1	90°-1T-100w-860CL-50L-MAG
G00006-a4-T1-B1-Rm5-P0-L2	60°-1T-100w-860CL-100L-MAG	G00006-a5-T1-B1-Rm5-P0-L2	75°-1T-100w-860CL-100L-MAG	G00006-a6-T1-B1-Rm5-P0-L2	90°-1T-100w-860CL-100L-MAG
G00006-a4-T1-B1-Rm5-P0-L3	60°-1T-100w-860CL-125L-MAG	G00006-a5-T1-B1-Rm5-P0-L3	75°-1T-100w-860CL-125L-MAG	G00006-a6-T1-B1-Rm5-P0-L3	90°-1T-100w-860CL-125L-MAG

NON STANDARD SIZES ARE AVAILABLE ON REQUEST.
STANDARD ORDER QTY: PER SET

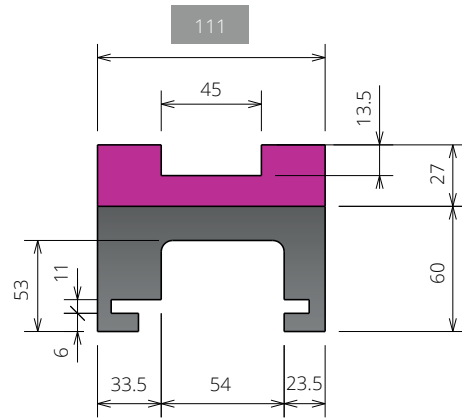
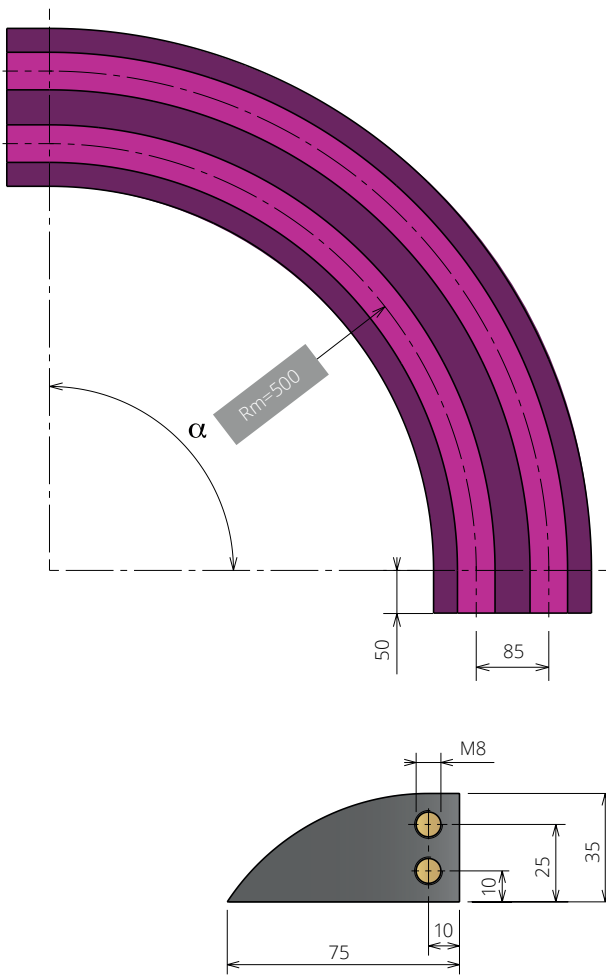




LEAD IN & OUT AVAILABLE IN
125mm - 100mm 50mm AND WITHOUT

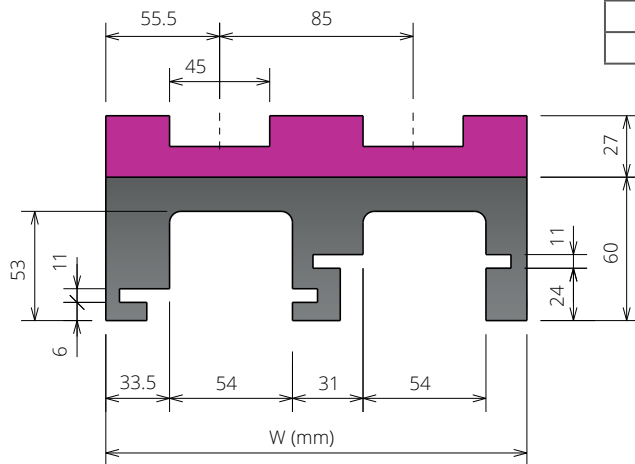
Rm = 1000mm - SINGLE TRACK					
α 15°		α 30°		α 45°	
CODE	DESCRIPTION	CODE	DESCRIPTION	CODE	DESCRIPTION
G00006-a1-T1-B1-Rm6-P0-L0	15°-1T-100w-1000CL-0L-MAG	G00006-a2-T1-B1-Rm6-P0-L0	30°-1T-100w-1000CL-0L-MAG	G00006-a3-T1-B1-Rm6-P0-L0	45°-1T-100w-1000CL-0L-MAG
G00006-a1-T1-B1-Rm6-P0-L1	15°-1T-100w-1000CL-50L-MAG	G00006-a2-T1-B1-Rm6-P0-L1	30°-1T-100w-1000CL-50L-MAG	G00006-a3-T1-B1-Rm6-P0-L1	45°-1T-100w-1000CL-50L-MAG
G00006-a1-T1-B1-Rm6-P0-L2	15°-1T-100w-1000CL-100L-MAG	G00006-a2-T1-B1-Rm6-P0-L2	30°-1T-100w-1000CL-100L-MAG	G00006-a3-T1-B1-Rm6-P0-L2	45°-1T-100w-1000CL-100L-MAG
G00006-a1-T1-B1-Rm6-P0-L3	15°-1T-100w-1000CL-125L-MAG	G00006-a2-T1-B1-Rm6-P0-L3	30°-1T-100w-1000CL-125L-MAG	G00006-a3-T1-B1-Rm6-P0-L3	45°-1T-100w-1000CL-125L-MAG
α 60°		α 75°		α 90°	
CODE	DESCRIPTION	CODE	DESCRIPTION	CODE	DESCRIPTION
G00006-a4-T1-B1-Rm6-P0-L0	60°-1T-100w-1000CL-0L-MAG	G00006-a5-T1-B1-Rm6-P0-L0	75°-1T-100w-1000CL-0L-MAG	G00006-a6-T1-B1-Rm6-P0-L0	90°-1T-100w-1000CL-0L-MAG
G00006-a4-T1-B1-Rm6-P0-L1	60°-1T-100w-1000CL-50L-MAG	G00006-a5-T1-B1-Rm6-P0-L1	75°-1T-100w-1000CL-50L-MAG	G00006-a6-T1-B1-Rm6-P0-L1	90°-1T-100w-1000CL-50L-MAG
G00006-a4-T1-B1-Rm6-P0-L2	60°-1T-100w-1000CL-100L-MAG	G00006-a5-T1-B1-Rm6-P0-L2	75°-1T-100w-1000CL-100L-MAG	G00006-a6-T1-B1-Rm6-P0-L2	90°-1T-100w-1000CL-100L-MAG
G00006-a4-T1-B1-Rm6-P0-L3	60°-1T-100w-1000CL-125L-MAG	G00006-a5-T1-B1-Rm6-P0-L3	75°-1T-100w-1000CL-125L-MAG	G00006-a6-T1-B1-Rm6-P0-L3	90°-1T-100w-1000CL-125L-MAG

NON STANDARD SIZES ARE AVAILABLE ON REQUEST.
STANDARD ORDER QTY: PER SET



SINGLE TRACK - G00006-a6-T1-B3-Rm1-P0-L1

TRACKS	W
1	111
2	196
3	281
4	366
5	451
6	536
7	621
8	706



MULTI TRACK - G00006-a6-T2-B3-Rm1-P1-L1

Rm = 500mm - MULTI TRACK - 50mm LEAD IN / LEAD OUT

α 15°		α 30°		α 45°	
CODE	DESCRIPTION	CODE	DESCRIPTION	CODE	DESCRIPTION
G00006-a1-T1-B3-Rm1-P0-L1	15°-1T-111w-500CL-50L-MAG	G00006-a2-T1-B3-Rm1-P0-L1	30°-1T-111w-500CL-50L-MAG	G00006-a3-T1-B3-Rm1-P0-L1	45°-1T-111w-500CL-50L-MAG
G00006-a1-T2-B3-Rm1-P1-L1	15°-2T-111w-500CL-P85-50L-MAG	G00006-a2-T2-B3-Rm1-P1-L1	30°-2T-111w-500CL-P85-50L-MAG	G00006-a3-T2-B3-Rm1-P1-L1	45°-2T-111w-500CL-P85-50L-MAG
G00006-a1-T3-B3-Rm1-P1-L1	15°-3T-111w-500CL-P85-50L-MAG	G00006-a2-T3-B3-Rm1-P1-L1	30°-3T-111w-500CL-P85-50L-MAG	G00006-a3-T3-B3-Rm1-P1-L1	45°-3T-111w-500CL-P85-50L-MAG
G00006-a1-T4-B3-Rm1-P1-L1	15°-4T-111w-500CL-P85-50L-MAG	G00006-a2-T4-B3-Rm1-P1-L1	30°-4T-111w-500CL-P85-50L-MAG	G00006-a3-T4-B3-Rm1-P1-L1	45°-4T-111w-500CL-P85-50L-MAG
G00006-a1-T5-B3-Rm1-P1-L1	15°-5T-111w-500CL-P85-50L-MAG	G00006-a2-T5-B3-Rm1-P1-L1	30°-5T-111w-500CL-P85-50L-MAG	G00006-a3-T5-B3-Rm1-P1-L1	45°-5T-111w-500CL-P85-50L-MAG
G00006-a1-T6-B3-Rm1-P1-L1	15°-6T-111w-500CL-P85-50L-MAG	G00006-a2-T6-B3-Rm1-P1-L1	30°-6T-111w-500CL-P85-50L-MAG	G00006-a3-T6-B3-Rm1-P1-L1	45°-6T-111w-500CL-P85-50L-MAG
G00006-a1-T7-B3-Rm1-P1-L1	15°-7T-111w-500CL-P85-50L-MAG	G00006-a2-T7-B3-Rm1-P1-L1	30°-7T-111w-500CL-P85-50L-MAG	G00006-a3-T7-B3-Rm1-P1-L1	45°-7T-111w-500CL-P85-50L-MAG
G00006-a1-T8-B3-Rm1-P1-L1	15°-8T-111w-500CL-P85-50L-MAG	G00006-a2-T8-B3-Rm1-P1-L1	30°-8T-111w-500CL-P85-50L-MAG	G00006-a3-T8-B3-Rm1-P1-L1	45°-8T-111w-500CL-P85-50L-MAG
α 60°		α 75°		α 90°	
CODE	DESCRIPTION	CODE	DESCRIPTION	CODE	DESCRIPTION
G00006-a4-T1-B3-Rm1-P0-L1	60°-1T-111w-500CL-50L-MAG	G00006-a5-T1-B3-Rm1-P0-L1	75°-1T-111w-500CL-50L-MAG	G00006-a6-T1-B3-Rm1-P0-L1	90°-1T-111w-500CL-50L-MAG
G00006-a4-T2-B3-Rm1-P1-L1	60°-2T-111w-500CL-P85-50L-MAG	G00006-a5-T2-B3-Rm1-P1-L1	75°-2T-111w-500CL-P85-50L-MAG	G00006-a6-T2-B3-Rm1-P1-L1	90°-2T-111w-500CL-P85-50L-MAG
G00006-a4-T3-B3-Rm1-P1-L1	60°-3T-111w-500CL-P85-50L-MAG	G00006-a5-T3-B3-Rm1-P1-L1	75°-3T-111w-500CL-P85-50L-MAG	G00006-a6-T3-B3-Rm1-P1-L1	90°-3T-111w-500CL-P85-50L-MAG
G00006-a4-T4-B3-Rm1-P1-L1	60°-4T-111w-500CL-P85-50L-MAG	G00006-a5-T4-B3-Rm1-P1-L1	75°-4T-111w-500CL-P85-50L-MAG	G00006-a6-T4-B3-Rm1-P1-L1	90°-4T-111w-500CL-P85-50L-MAG
G00006-a4-T5-B3-Rm1-P1-L1	60°-5T-111w-500CL-P85-50L-MAG	G00006-a5-T5-B3-Rm1-P1-L1	75°-5T-111w-500CL-P85-50L-MAG	G00006-a6-T5-B3-Rm1-P1-L1	90°-5T-111w-500CL-P85-50L-MAG
G00006-a4-T6-B3-Rm1-P1-L1	60°-6T-111w-500CL-P85-50L-MAG	G00006-a5-T6-B3-Rm1-P1-L1	75°-6T-111w-500CL-P85-50L-MAG	G00006-a6-T6-B3-Rm1-P1-L1	90°-6T-111w-500CL-P85-50L-MAG
G00006-a4-T7-B3-Rm1-P1-L1	60°-7T-111w-500CL-P85-50L-MAG	G00006-a5-T7-B3-Rm1-P1-L1	75°-7T-111w-500CL-P85-50L-MAG	G00006-a6-T7-B3-Rm1-P1-L1	90°-7T-111w-500CL-P85-50L-MAG
G00006-a4-T8-B3-Rm1-P1-L1	60°-8T-111w-500CL-P85-50L-MAG	G00006-a5-T8-B3-Rm1-P1-L1	75°-8T-111w-500CL-P85-50L-MAG	G00006-a6-T8-B3-Rm1-P1-L1	90°-8T-111w-500CL-P85-50L-MAG

NON STANDARD SIZES ARE AVAILABLE ON REQUEST.
STANDARD ORDER QTY: PER SET



CHAINS/BELTS
PG. E44 - E50



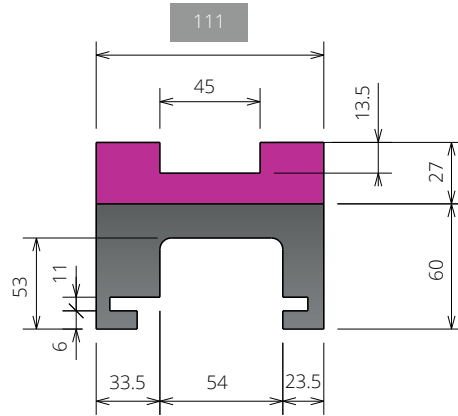
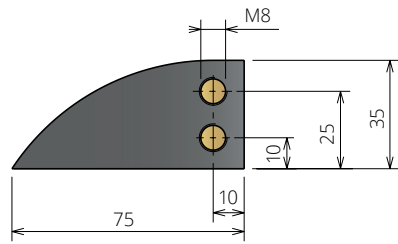
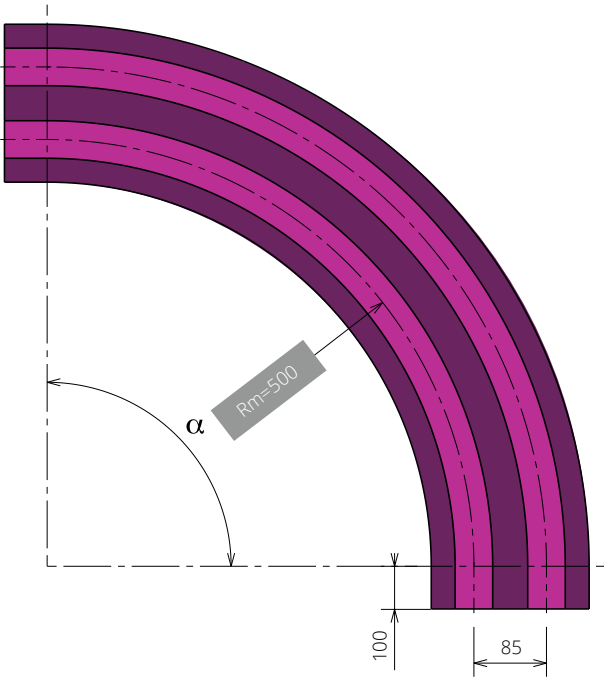
MATERIALS



TABLE OF
CONTENTS

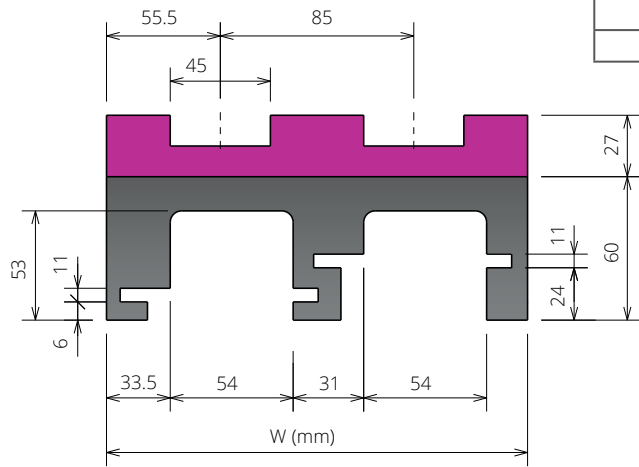


BACK TO CORNER TRACKS/
CURVES/BENDS INDEX (G)



SINGLE TRACK - G00006-a6-T1-B3-Rm1-P0-L2

TRACKS	W
1	111
2	196
3	281
4	366
5	451
6	536
7	621
8	706



MULTI TRACK - G00006-a6-T2-B3-Rm1-P1-L2

Rm = 500mm - MULTI TRACK - 100mm LEAD IN / LEAD OUT

$\alpha 15^\circ$		$\alpha 30^\circ$		$\alpha 45^\circ$	
CODE	DESCRIPTION	CODE	DESCRIPTION	CODE	DESCRIPTION
G00006-a1-T1-B3-Rm1-P0-L2	15°-1T-111w-500CL-100L-MAG	G00006-a2-T1-B3-Rm1-P0-L2	30°-1T-111w-500CL-100L-MAG	G00006-a3-T1-B3-Rm1-P0-L2	45°-1T-111w-500CL-100L-MAG
G00006-a1-T2-B3-Rm1-P1-L2	15°-2T-111w-500CL-P85-100L-MAG	G00006-a2-T2-B3-Rm1-P1-L2	30°-2T-111w-500CL-P85-100L-MAG	G00006-a3-T2-B3-Rm1-P1-L2	45°-2T-111w-500CL-P85-100L-MAG
G00006-a1-T3-B3-Rm1-P1-L2	15°-3T-111w-500CL-P85-100L-MAG	G00006-a2-T3-B3-Rm1-P1-L2	30°-3T-111w-500CL-P85-100L-MAG	G00006-a3-T3-B3-Rm1-P1-L2	45°-3T-111w-500CL-P85-100L-MAG
G00006-a1-T4-B3-Rm1-P1-L2	15°-4T-111w-500CL-P85-100L-MAG	G00006-a2-T4-B3-Rm1-P1-L2	30°-4T-111w-500CL-P85-100L-MAG	G00006-a3-T4-B3-Rm1-P1-L2	45°-4T-111w-500CL-P85-100L-MAG
G00006-a1-T5-B3-Rm1-P1-L2	15°-5T-111w-500CL-P85-100L-MAG	G00006-a2-T5-B3-Rm1-P1-L2	30°-5T-111w-500CL-P85-100L-MAG	G00006-a3-T5-B3-Rm1-P1-L2	45°-5T-111w-500CL-P85-100L-MAG
G00006-a1-T6-B3-Rm1-P1-L2	15°-6T-111w-500CL-P85-100L-MAG	G00006-a2-T6-B3-Rm1-P1-L2	30°-6T-111w-500CL-P85-100L-MAG	G00006-a3-T6-B3-Rm1-P1-L2	45°-6T-111w-500CL-P85-100L-MAG
G00006-a1-T7-B3-Rm1-P1-L2	15°-7T-111w-500CL-P85-100L-MAG	G00006-a2-T7-B3-Rm1-P1-L2	30°-7T-111w-500CL-P85-100L-MAG	G00006-a3-T7-B3-Rm1-P1-L2	45°-7T-111w-500CL-P85-100L-MAG
G00006-a1-T8-B3-Rm1-P1-L2	15°-8T-111w-500CL-P85-100L-MAG	G00006-a2-T8-B3-Rm1-P1-L2	30°-8T-111w-500CL-P85-100L-MAG	G00006-a3-T8-B3-Rm1-P1-L2	45°-8T-111w-500CL-P85-100L-MAG
$\alpha 60^\circ$		$\alpha 75^\circ$		$\alpha 90^\circ$	
CODE	DESCRIPTION	CODE	DESCRIPTION	CODE	DESCRIPTION
G00006-a4-T1-B3-Rm1-P0-L2	60°-1T-111w-500CL-100L-MAG	G00006-a5-T1-B3-Rm1-P0-L2	75°-1T-111w-500CL-100L-MAG	G00006-a6-T1-B3-Rm1-P0-L2	90°-1T-111w-500CL-100L-MAG
G00006-a4-T2-B3-Rm1-P1-L2	60°-2T-111w-500CL-P85-100L-MAG	G00006-a5-T2-B3-Rm1-P1-L2	75°-2T-111w-500CL-P85-100L-MAG	G00006-a6-T2-B3-Rm1-P1-L2	90°-2T-111w-500CL-P85-100L-MAG
G00006-a4-T3-B3-Rm1-P1-L2	60°-3T-111w-500CL-P85-100L-MAG	G00006-a5-T3-B3-Rm1-P1-L2	75°-3T-111w-500CL-P85-100L-MAG	G00006-a6-T3-B3-Rm1-P1-L2	90°-3T-111w-500CL-P85-100L-MAG
G00006-a4-T4-B3-Rm1-P1-L2	60°-4T-111w-500CL-P85-100L-MAG	G00006-a5-T4-B3-Rm1-P1-L2	75°-4T-111w-500CL-P85-100L-MAG	G00006-a6-T4-B3-Rm1-P1-L2	90°-4T-111w-500CL-P85-100L-MAG
G00006-a4-T5-B3-Rm1-P1-L2	60°-5T-111w-500CL-P85-100L-MAG	G00006-a5-T5-B3-Rm1-P1-L2	75°-5T-111w-500CL-P85-100L-MAG	G00006-a6-T5-B3-Rm1-P1-L2	90°-5T-111w-500CL-P85-100L-MAG
G00006-a4-T6-B3-Rm1-P1-L2	60°-6T-111w-500CL-P85-100L-MAG	G00006-a5-T6-B3-Rm1-P1-L2	75°-6T-111w-500CL-P85-100L-MAG	G00006-a6-T6-B3-Rm1-P1-L2	90°-6T-111w-500CL-P85-100L-MAG
G00006-a4-T7-B3-Rm1-P1-L2	60°-7T-111w-500CL-P85-100L-MAG	G00006-a5-T7-B3-Rm1-P1-L2	75°-7T-111w-500CL-P85-100L-MAG	G00006-a6-T7-B3-Rm1-P1-L2	90°-7T-111w-500CL-P85-100L-MAG
G00006-a4-T8-B3-Rm1-P1-L2	60°-8T-111w-500CL-P85-100L-MAG	G00006-a5-T8-B3-Rm1-P1-L2	75°-8T-111w-500CL-P85-100L-MAG	G00006-a6-T8-B3-Rm1-P1-L2	90°-8T-111w-500CL-P85-100L-MAG

NON STANDARD SIZES ARE AVAILABLE ON REQUEST.
STANDARD ORDER QTY: PER SET



CHAINS/BELTS
PG. E44 - E50



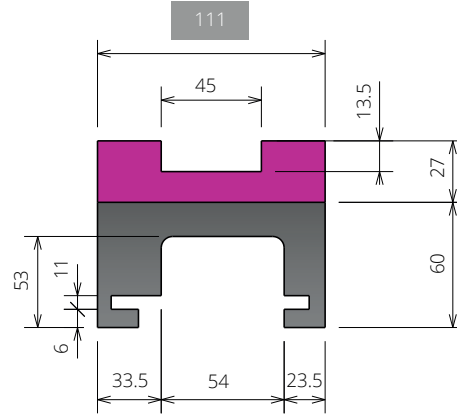
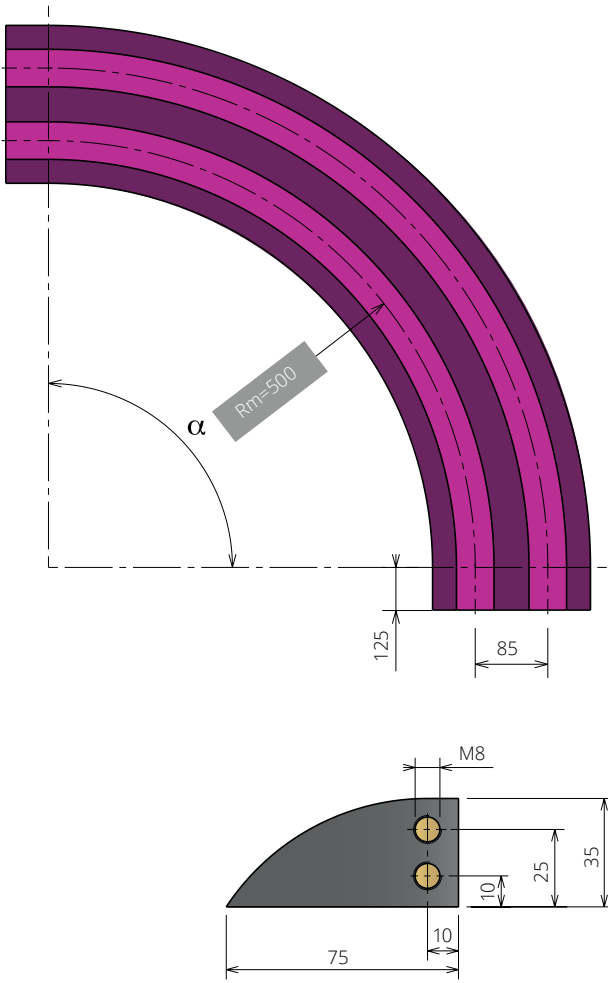
MATERIALS



TABLE OF
CONTENTS

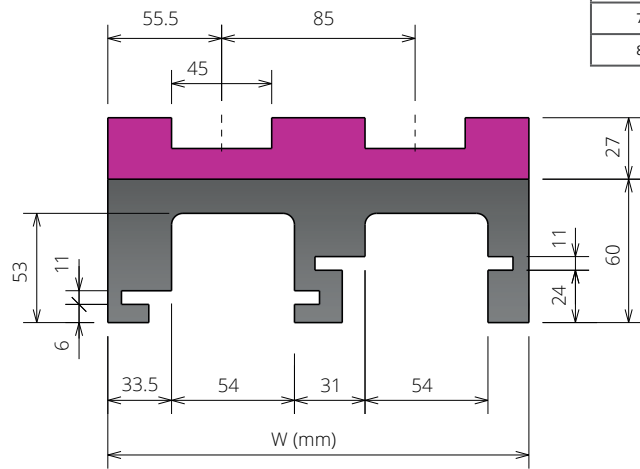


BACK TO CORNER TRACKS/
CURVES/BENDS INDEX (G)



SINGLE TRACK - G00006-a6-T1-B3-Rm1-P0-L3

TRACKS	W
1	111
2	196
3	281
4	366
5	451
6	536
7	621
8	706

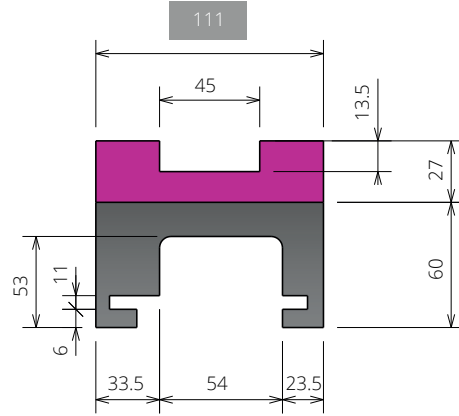
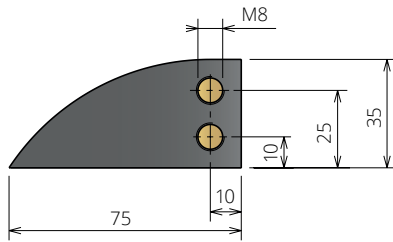
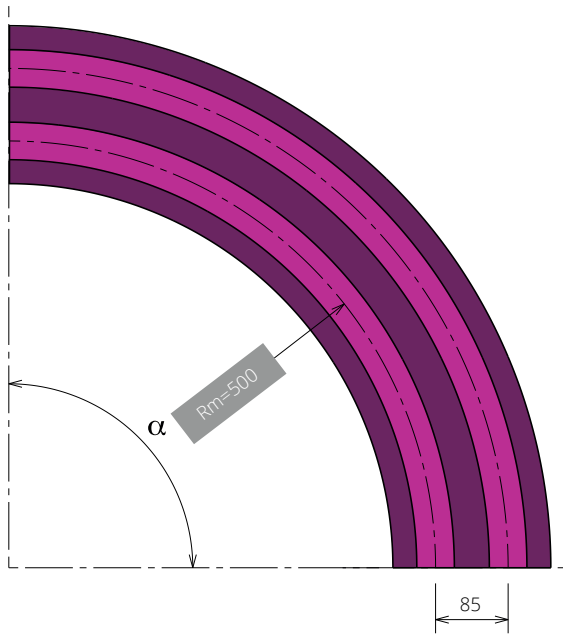


MULTI TRACK - G00006-a6-T2-B3-Rm1-P1-L3

Rm = 500mm - MULTI TRACK - 125mm LEAD IN / LEAD OUT

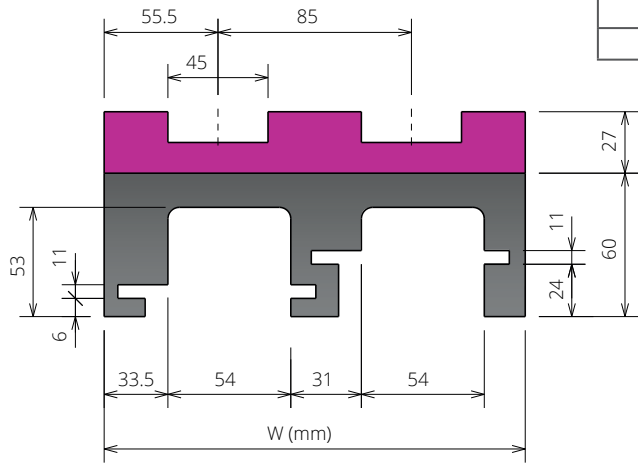
$\alpha 15^\circ$		$\alpha 30^\circ$		$\alpha 45^\circ$	
CODE	DESCRIPTION	CODE	DESCRIPTION	CODE	DESCRIPTION
G00006-a1-T1-B3-Rm1-P0-L3	15°-1T-111w-500CL-125L-MAG	G00006-a2-T1-B3-Rm1-P0-L3	30°-1T-111w-500CL-125L-MAG	G00006-a3-T1-B3-Rm1-P0-L3	45°-1T-111w-500CL-125L-MAG
G00006-a1-T2-B3-Rm1-P1-L3	15°-2T-111w-500CL-P85-125L-MAG	G00006-a2-T2-B3-Rm1-P1-L3	30°-2T-111w-500CL-P85-125L-MAG	G00006-a3-T2-B3-Rm1-P1-L3	45°-2T-111w-500CL-P85-125L-MAG
G00006-a1-T3-B3-Rm1-P1-L3	15°-3T-111w-500CL-P85-125L-MAG	G00006-a2-T3-B3-Rm1-P1-L3	30°-3T-111w-500CL-P85-125L-MAG	G00006-a3-T3-B3-Rm1-P1-L3	45°-3T-111w-500CL-P85-125L-MAG
G00006-a1-T4-B3-Rm1-P1-L3	15°-4T-111w-500CL-P85-125L-MAG	G00006-a2-T4-B3-Rm1-P1-L3	30°-4T-111w-500CL-P85-125L-MAG	G00006-a3-T4-B3-Rm1-P1-L3	45°-4T-111w-500CL-P85-125L-MAG
G00006-a1-T5-B3-Rm1-P1-L3	15°-5T-111w-500CL-P85-125L-MAG	G00006-a2-T5-B3-Rm1-P1-L3	30°-5T-111w-500CL-P85-125L-MAG	G00006-a3-T5-B3-Rm1-P1-L3	45°-5T-111w-500CL-P85-125L-MAG
G00006-a1-T6-B3-Rm1-P1-L3	15°-6T-111w-500CL-P85-125L-MAG	G00006-a2-T6-B3-Rm1-P1-L3	30°-6T-111w-500CL-P85-125L-MAG	G00006-a3-T6-B3-Rm1-P1-L3	45°-6T-111w-500CL-P85-125L-MAG
G00006-a1-T7-B3-Rm1-P1-L3	15°-7T-111w-500CL-P85-125L-MAG	G00006-a2-T7-B3-Rm1-P1-L3	30°-7T-111w-500CL-P85-125L-MAG	G00006-a3-T7-B3-Rm1-P1-L3	45°-7T-111w-500CL-P85-125L-MAG
G00006-a1-T8-B3-Rm1-P1-L3	15°-8T-111w-500CL-P85-125L-MAG	G00006-a2-T8-B3-Rm1-P1-L3	30°-8T-111w-500CL-P85-125L-MAG	G00006-a3-T8-B3-Rm1-P1-L3	45°-8T-111w-500CL-P85-125L-MAG
$\alpha 60^\circ$		$\alpha 75^\circ$		$\alpha 90^\circ$	
CODE	DESCRIPTION	CODE	DESCRIPTION	CODE	DESCRIPTION
G00006-a4-T1-B3-Rm1-P0-L3	60°-1T-111w-500CL-125L-MAG	G00006-a5-T1-B3-Rm1-P0-L3	75°-1T-111w-500CL-125L-MAG	G00006-a6-T1-B3-Rm1-P0-L3	90°-1T-111w-500CL-125L-MAG
G00006-a4-T2-B3-Rm1-P1-L3	60°-2T-111w-500CL-P85-125L-MAG	G00006-a5-T2-B3-Rm1-P1-L3	75°-2T-111w-500CL-P85-125L-MAG	G00006-a6-T2-B3-Rm1-P1-L3	90°-2T-111w-500CL-P85-125L-MAG
G00006-a4-T3-B3-Rm1-P1-L3	60°-3T-111w-500CL-P85-125L-MAG	G00006-a5-T3-B3-Rm1-P1-L3	75°-3T-111w-500CL-P85-125L-MAG	G00006-a6-T3-B3-Rm1-P1-L3	90°-3T-111w-500CL-P85-125L-MAG
G00006-a4-T4-B3-Rm1-P1-L3	60°-4T-111w-500CL-P85-125L-MAG	G00006-a5-T4-B3-Rm1-P1-L3	75°-4T-111w-500CL-P85-125L-MAG	G00006-a6-T4-B3-Rm1-P1-L3	90°-4T-111w-500CL-P85-125L-MAG
G00006-a4-T5-B3-Rm1-P1-L3	60°-5T-111w-500CL-P85-125L-MAG	G00006-a5-T5-B3-Rm1-P1-L3	75°-5T-111w-500CL-P85-125L-MAG	G00006-a6-T5-B3-Rm1-P1-L3	90°-5T-111w-500CL-P85-125L-MAG
G00006-a4-T6-B3-Rm1-P1-L3	60°-6T-111w-500CL-P85-125L-MAG	G00006-a5-T6-B3-Rm1-P1-L3	75°-6T-111w-500CL-P85-125L-MAG	G00006-a6-T6-B3-Rm1-P1-L3	90°-6T-111w-500CL-P85-125L-MAG
G00006-a4-T7-B3-Rm1-P1-L3	60°-7T-111w-500CL-P85-125L-MAG	G00006-a5-T7-B3-Rm1-P1-L3	75°-7T-111w-500CL-P85-125L-MAG	G00006-a6-T7-B3-Rm1-P1-L3	90°-7T-111w-500CL-P85-125L-MAG
G00006-a4-T8-B3-Rm1-P1-L3	60°-8T-111w-500CL-P85-125L-MAG	G00006-a5-T8-B3-Rm1-P1-L3	75°-8T-111w-500CL-P85-125L-MAG	G00006-a6-T8-B3-Rm1-P1-L3	90°-8T-111w-500CL-P85-125L-MAG

NON STANDARD SIZES ARE AVAILABLE ON REQUEST.
STANDARD ORDER QTY: PER SET



SINGLE TRACK - G00006-a6-T1-B3-Rm1-P0-L0

TRACKS	W
1	111
2	196
3	281
4	366
5	451
6	536
7	621
8	706

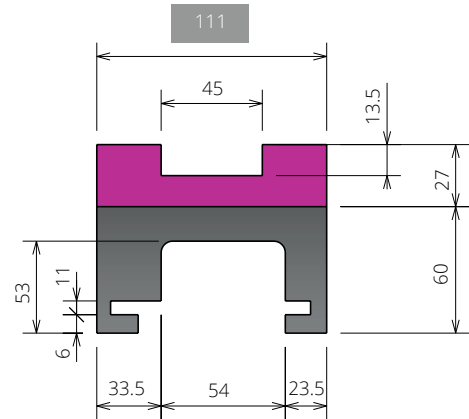
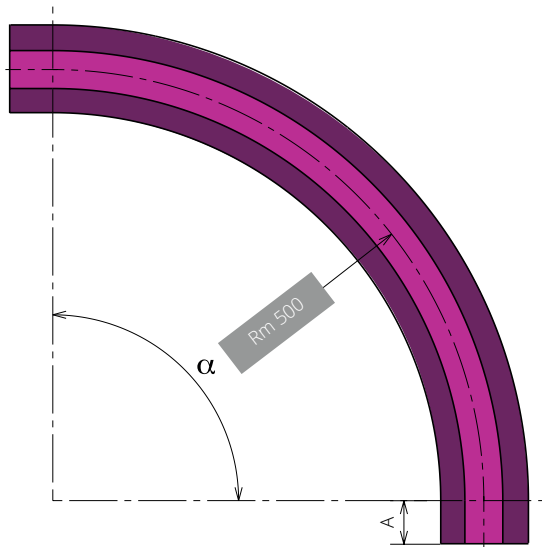


MULTI TRACK - G00006-a6-T2-B3-Rm1-P1-L0

Rm = 500mm - MULTI TRACK - NO LEAD IN / LEAD OUT

$\alpha 15^\circ$		$\alpha 30^\circ$		$\alpha 45^\circ$	
CODE	DESCRIPTION	CODE	DESCRIPTION	CODE	DESCRIPTION
G00006-a1-T1-B3-Rm1-P0-L0	15°-1T-111w-500CL-0L-MAG	G00006-a2-T1-B3-Rm1-P0-L0	30°-1T-111w-500CL-0L-MAG	G00006-a3-T1-B3-Rm1-P0-L0	45°-1T-111w-500CL-0L-MAG
G00006-a1-T2-B3-Rm1-P1-L0	15°-2T-111w-500CL-P85-0L-MAG	G00006-a2-T2-B3-Rm1-P1-L0	30°-2T-111w-500CL-P85-0L-MAG	G00006-a3-T2-B3-Rm1-P1-L0	45°-2T-111w-500CL-P85-0L-MAG
G00006-a1-T3-B3-Rm1-P1-L0	15°-3T-111w-500CL-P85-0L-MAG	G00006-a2-T3-B3-Rm1-P1-L0	30°-3T-111w-500CL-P85-0L-MAG	G00006-a3-T3-B3-Rm1-P1-L0	45°-3T-111w-500CL-P85-0L-MAG
G00006-a1-T4-B3-Rm1-P1-L0	15°-4T-111w-500CL-P85-0L-MAG	G00006-a2-T4-B3-Rm1-P1-L0	30°-4T-111w-500CL-P85-0L-MAG	G00006-a3-T4-B3-Rm1-P1-L0	45°-4T-111w-500CL-P85-0L-MAG
G00006-a1-T5-B3-Rm1-P1-L0	15°-5T-111w-500CL-P85-0L-MAG	G00006-a2-T5-B3-Rm1-P1-L0	30°-5T-111w-500CL-P85-0L-MAG	G00006-a3-T5-B3-Rm1-P1-L0	45°-5T-111w-500CL-P85-0L-MAG
G00006-a1-T6-B3-Rm1-P1-L0	15°-6T-111w-500CL-P85-0L-MAG	G00006-a2-T6-B3-Rm1-P1-L0	30°-6T-111w-500CL-P85-0L-MAG	G00006-a3-T6-B3-Rm1-P1-L0	45°-6T-111w-500CL-P85-0L-MAG
G00006-a1-T7-B3-Rm1-P1-L0	15°-7T-111w-500CL-P85-0L-MAG	G00006-a2-T7-B3-Rm1-P1-L0	30°-7T-111w-500CL-P85-0L-MAG	G00006-a3-T7-B3-Rm1-P1-L0	45°-7T-111w-500CL-P85-0L-MAG
G00006-a1-T8-B3-Rm1-P1-L0	15°-8T-111w-500CL-P85-0L-MAG	G00006-a2-T8-B3-Rm1-P1-L0	30°-8T-111w-500CL-P85-0L-MAG	G00006-a3-T8-B3-Rm1-P1-L0	45°-8T-111w-500CL-P85-0L-MAG
$\alpha 60^\circ$		$\alpha 75^\circ$		$\alpha 90^\circ$	
CODE	DESCRIPTION	CODE	DESCRIPTION	CODE	DESCRIPTION
G00006-a4-T1-B3-Rm1-P0-L0	60°-1T-111w-500CL-0L-MAG	G00006-a5-T1-B3-Rm1-P0-L0	75°-1T-111w-500CL-0L-MAG	G00006-a6-T1-B3-Rm1-P0-L0	90°-1T-111w-500CL-0L-MAG
G00006-a4-T2-B3-Rm1-P1-L0	60°-2T-111w-500CL-P85-0L-MAG	G00006-a5-T2-B3-Rm1-P1-L0	75°-2T-111w-500CL-P85-0L-MAG	G00006-a6-T2-B3-Rm1-P1-L0	90°-2T-111w-500CL-P85-0L-MAG
G00006-a4-T3-B3-Rm1-P1-L0	60°-3T-111w-500CL-P85-0L-MAG	G00006-a5-T3-B3-Rm1-P1-L0	75°-3T-111w-500CL-P85-0L-MAG	G00006-a6-T3-B3-Rm1-P1-L0	90°-3T-111w-500CL-P85-0L-MAG
G00006-a4-T4-B3-Rm1-P1-L0	60°-4T-111w-500CL-P85-0L-MAG	G00006-a5-T4-B3-Rm1-P1-L0	75°-4T-111w-500CL-P85-0L-MAG	G00006-a6-T4-B3-Rm1-P1-L0	90°-4T-111w-500CL-P85-0L-MAG
G00006-a4-T5-B3-Rm1-P1-L0	60°-5T-111w-500CL-P85-0L-MAG	G00006-a5-T5-B3-Rm1-P1-L0	75°-5T-111w-500CL-P85-0L-MAG	G00006-a6-T5-B3-Rm1-P1-L0	90°-5T-111w-500CL-P85-0L-MAG
G00006-a4-T6-B3-Rm1-P1-L0	60°-6T-111w-500CL-P85-0L-MAG	G00006-a5-T6-B3-Rm1-P1-L0	75°-6T-111w-500CL-P85-0L-MAG	G00006-a6-T6-B3-Rm1-P1-L0	90°-6T-111w-500CL-P85-0L-MAG
G00006-a4-T7-B3-Rm1-P1-L0	60°-7T-111w-500CL-P85-0L-MAG	G00006-a5-T7-B3-Rm1-P1-L0	75°-7T-111w-500CL-P85-0L-MAG	G00006-a6-T7-B3-Rm1-P1-L0	90°-7T-111w-500CL-P85-0L-MAG
G00006-a4-T8-B3-Rm1-P1-L0	60°-8T-111w-500CL-P85-0L-MAG	G00006-a5-T8-B3-Rm1-P1-L0	75°-8T-111w-500CL-P85-0L-MAG	G00006-a6-T8-B3-Rm1-P1-L0	90°-8T-111w-500CL-P85-0L-MAG

NON STANDARD SIZES ARE AVAILABLE ON REQUEST.
STANDARD ORDER QTY: PER SET



LEAD IN & OUT AVAILABLE IN
125mm - 100mm 50mm AND WITHOUT

Rm = 500mm - SINGLE TRACK

$\alpha 15^\circ$		$\alpha 30^\circ$		$\alpha 45^\circ$	
CODE	DESCRIPTION	CODE	DESCRIPTION	CODE	DESCRIPTION
G00006-a1-T1-B3-Rm1-P0-L0	15°-1T-111w-500CL-0L-MAG	G00006-a2-T1-B3-Rm1-P0-L0	30°-1T-111w-500CL-0L-MAG	G00006-a3-T1-B3-Rm1-P0-L0	45°-1T-111w-500CL-0L-MAG
G00006-a1-T1-B3-Rm1-P0-L1	15°-1T-111w-500CL-50L-MAG	G00006-a2-T1-B3-Rm1-P0-L1	30°-1T-111w-500CL-50L-MAG	G00006-a3-T1-B3-Rm1-P0-L1	45°-1T-111w-500CL-50L-MAG
G00006-a1-T1-B3-Rm1-P0-L2	15°-1T-111w-500CL-100L-MAG	G00006-a2-T1-B3-Rm1-P0-L2	30°-1T-111w-500CL-100L-MAG	G00006-a3-T1-B3-Rm1-P0-L2	45°-1T-111w-500CL-100L-MAG
G00006-a1-T1-B3-Rm1-P0-L3	15°-1T-111w-500CL-125L-MAG	G00006-a2-T1-B3-Rm1-P0-L3	30°-1T-111w-500CL-125L-MAG	G00006-a3-T1-B3-Rm1-P0-L3	45°-1T-111w-500CL-125L-MAG
$\alpha 60^\circ$		$\alpha 75^\circ$		$\alpha 90^\circ$	
CODE	DESCRIPTION	CODE	DESCRIPTION	CODE	DESCRIPTION
G00006-a4-T1-B3-Rm1-P0-L0	60°-1T-111w-500CL-0L-MAG	G00006-a5-T1-B3-Rm1-P0-L0	75°-1T-111w-500CL-0L-MAG	G00006-a6-T1-B3-Rm1-P0-L0	90°-1T-111w-500CL-0L-MAG
G00006-a4-T1-B3-Rm1-P0-L1	60°-1T-111w-500CL-25L-MAG	G00006-a5-T1-B3-Rm1-P0-L1	75°-1T-111w-500CL-50L-MAG	G00006-a6-T1-B3-Rm1-P0-L1	90°-1T-111w-500CL-50L-MAG
G00006-a4-T1-B3-Rm1-P0-L2	60°-1T-111w-500CL-50L-MAG	G00006-a5-T1-B3-Rm1-P0-L2	75°-1T-111w-500CL-100L-MAG	G00006-a6-T1-B3-Rm1-P0-L2	90°-1T-111w-500CL-100L-MAG
G00006-a4-T1-B3-Rm1-P0-L3	60°-1T-111w-500CL-100L-MAG	G00006-a5-T1-B3-Rm1-P0-L3	75°-1T-111w-500CL-125L-MAG	G00006-a6-T1-B3-Rm1-P0-L3	90°-1T-111w-500CL-125L-MAG

NON STANDARD SIZES ARE AVAILABLE ON REQUEST.
STANDARD ORDER QTY: PER SET



CHAINS/BELTS
PG. E44 - E50



MATERIALS



TABLE OF
CONTENTS



BACK TO CORNER TRACKS/
CURVES/BENDS INDEX (G)

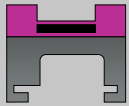
G00007

K450 CORNER TRACKS / CURVES / BENDS MAGNETIC

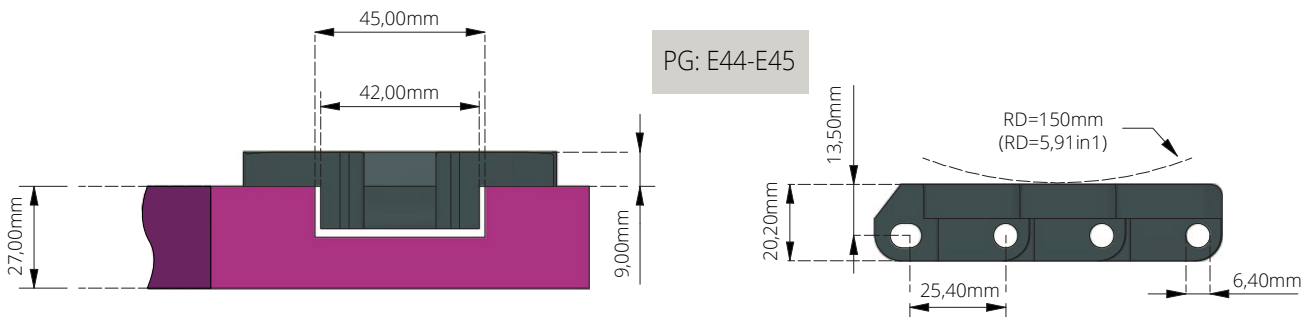


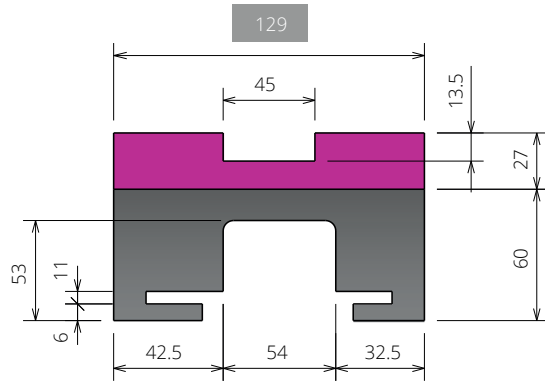
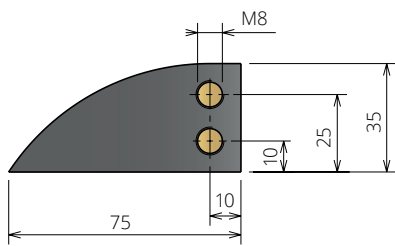
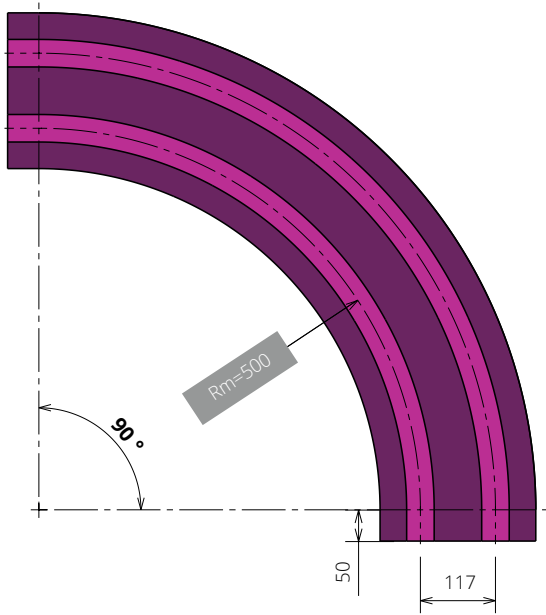
MAGNETIC

The magnetic corner track is the most effective and reliable system for the table top conveyor design.



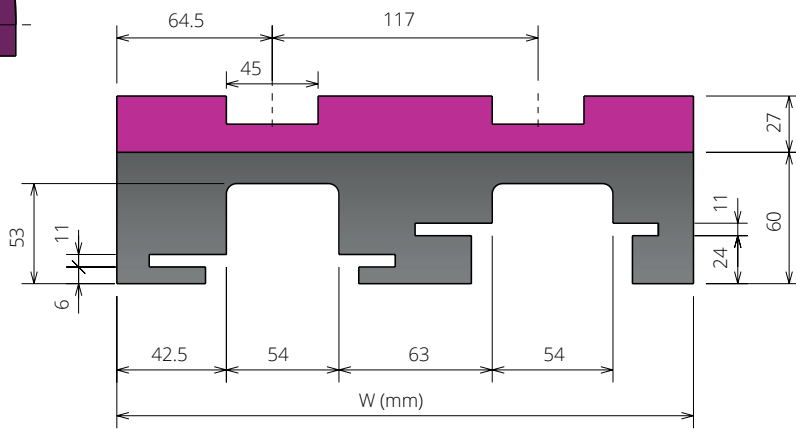
The magnets are carefully selected and positioned to provide the correct magnetic field to hold the chain on the corner track and this provides a flat carrying surface for the chain; thus, improving product stability and support for the product.





SINGLE TRACK - G00007-a6-T1-B4-Rm1-P0-L1

TRACKS	W
1	129
2	246
3	363
4	480
5	597
6	714
7	831
8	948



MULTI TRACK - G00007-a6-T2-B4-Rm1-P4-L1

Rm = 610mm - MULTI TRACK - 50mm LEAD IN / LEAD OUT

$\alpha 15^\circ$		$\alpha 30^\circ$		$\alpha 45^\circ$	
CODE	DESCRIPTION	CODE	DESCRIPTION	CODE	DESCRIPTION
G00007-a1-T1-B4-Rm1-P0-L1	15°-1T-129w-500CL-50L-MAG	G00007-a2-T1-B4-Rm1-P0-L1	30°-1T-129w-500CL-50L-MAG	G00007-a3-T1-B4-Rm1-P0-L1	45°-1T-129w-500CL-50L-MAG
G00007-a1-T2-B4-Rm1-P4-L1	15°-2T-129w-500CL-P117-50L-MAG	G00007-a2-T2-B4-Rm1-P4-L1	30°-2T-129w-500CL-P117-50L-MAG	G00007-a3-T2-B4-Rm1-P4-L1	45°-2T-129w-500CL-P117-50L-MAG
G00007-a1-T3-B4-Rm1-P4-L1	15°-3T-129w-500CL-P117-50L-MAG	G00007-a2-T3-B4-Rm1-P4-L1	30°-3T-129w-500CL-P117-50L-MAG	G00007-a3-T3-B4-Rm1-P4-L1	45°-3T-129w-500CL-P117-50L-MAG
G00007-a1-T4-B4-Rm1-P4-L1	15°-4T-129w-500CL-P117-50L-MAG	G00007-a2-T4-B4-Rm1-P4-L1	30°-4T-129w-500CL-P117-50L-MAG	G00007-a3-T4-B4-Rm1-P4-L1	45°-4T-129w-500CL-P117-50L-MAG
G00007-a1-T5-B4-Rm1-P4-L1	15°-5T-129w-500CL-P117-50L-MAG	G00007-a2-T5-B4-Rm1-P4-L1	30°-5T-129w-500CL-P117-50L-MAG	G00007-a3-T5-B4-Rm1-P4-L1	45°-5T-129w-500CL-P117-50L-MAG
G00007-a1-T6-B4-Rm1-P4-L1	15°-6T-129w-500CL-P117-50L-MAG	G00007-a2-T6-B4-Rm1-P4-L1	30°-6T-129w-500CL-P117-50L-MAG	G00007-a3-T6-B4-Rm1-P4-L1	45°-6T-129w-500CL-P117-50L-MAG
G00007-a1-T7-B4-Rm1-P4-L1	15°-7T-129w-500CL-P117-50L-MAG	G00007-a2-T7-B4-Rm1-P4-L1	30°-7T-129w-500CL-P117-50L-MAG	G00007-a3-T7-B4-Rm1-P4-L1	45°-7T-129w-500CL-P117-50L-MAG
G00007-a1-T8-B4-Rm1-P4-L1	15°-8T-129w-500CL-P117-50L-MAG	G00007-a2-T8-B4-Rm1-P4-L1	30°-8T-129w-500CL-P117-50L-MAG	G00007-a3-T8-B4-Rm1-P4-L1	45°-8T-129w-500CL-P117-50L-MAG
$\alpha 60^\circ$		$\alpha 75^\circ$		$\alpha 90^\circ$	
CODE	DESCRIPTION	CODE	DESCRIPTION	CODE	DESCRIPTION
G00007-a4-T1-B4-Rm1-P0-L1	60°-1T-129w-500CL-50L-MAG	G00007-a5-T1-B4-Rm1-P0-L1	75°-1T-129w-500CL-50L-MAG	G00007-a6-T1-B4-Rm1-P0-L1	90°-1T-129w-500CL-50L-MAG
G00007-a4-T2-B4-Rm1-P4-L1	60°-2T-129w-500CL-P117-50L-MAG	G00007-a5-T2-B4-Rm1-P4-L1	75°-2T-129w-500CL-P117-50L-MAG	G00007-a6-T2-B4-Rm1-P4-L1	90°-2T-129w-500CL-P117-50L-MAG
G00007-a4-T3-B4-Rm1-P4-L1	60°-3T-129w-500CL-P117-50L-MAG	G00007-a5-T3-B4-Rm1-P4-L1	75°-3T-129w-500CL-P117-50L-MAG	G00007-a6-T3-B4-Rm1-P4-L1	90°-3T-129w-500CL-P117-50L-MAG
G00007-a4-T4-B4-Rm1-P4-L1	60°-4T-129w-500CL-P117-50L-MAG	G00007-a5-T4-B4-Rm1-P4-L1	75°-4T-129w-500CL-P117-50L-MAG	G00007-a6-T4-B4-Rm1-P4-L1	90°-4T-129w-500CL-P117-50L-MAG
G00007-a4-T5-B4-Rm1-P4-L1	60°-5T-129w-500CL-P117-50L-MAG	G00007-a5-T5-B4-Rm1-P4-L1	75°-5T-129w-500CL-P117-50L-MAG	G00007-a6-T5-B4-Rm1-P4-L1	90°-5T-129w-500CL-P117-50L-MAG
G00007-a4-T6-B4-Rm1-P4-L1	60°-6T-129w-500CL-P117-50L-MAG	G00007-a5-T6-B4-Rm1-P4-L1	75°-6T-129w-500CL-P117-50L-MAG	G00007-a6-T6-B4-Rm1-P4-L1	90°-6T-129w-500CL-P117-50L-MAG
G00007-a4-T7-B4-Rm1-P4-L1	60°-7T-129w-500CL-P117-50L-MAG	G00007-a5-T7-B4-Rm1-P4-L1	75°-7T-129w-500CL-P117-50L-MAG	G00007-a6-T7-B4-Rm1-P4-L1	90°-7T-129w-500CL-P117-50L-MAG
G00007-a4-T8-B4-Rm1-P4-L1	60°-8T-129w-500CL-P117-50L-MAG	G00007-a5-T8-B4-Rm1-P4-L1	75°-8T-129w-500CL-P117-50L-MAG	G00007-a6-T8-B4-Rm1-P4-L1	90°-8T-129w-500CL-P117-50L-MAG

NON STANDARD SIZES ARE AVAILABLE ON REQUEST.
STANDARD ORDER QTY: PER SET



CHAINS/BELTS
PG. E44 - E45



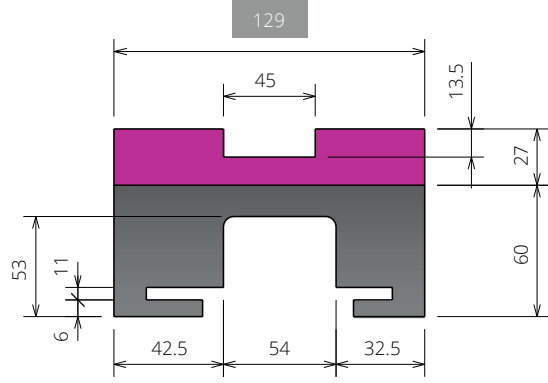
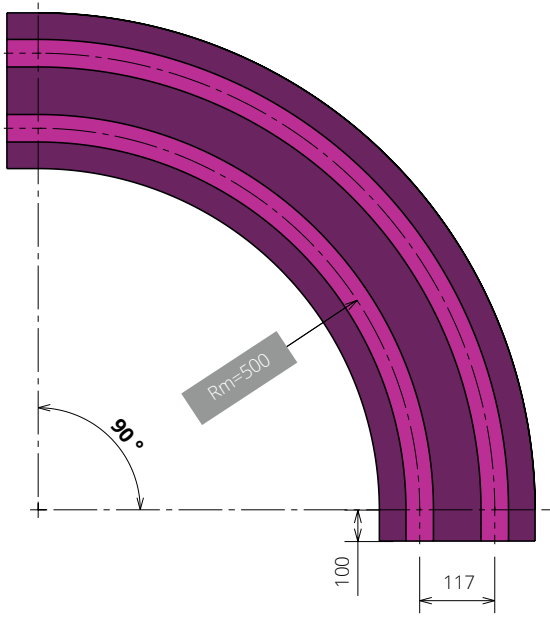
MATERIALS



TABLE OF
CONTENTS

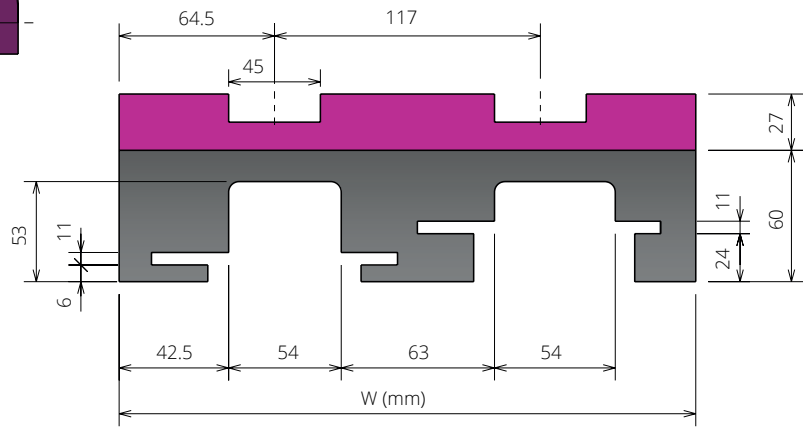
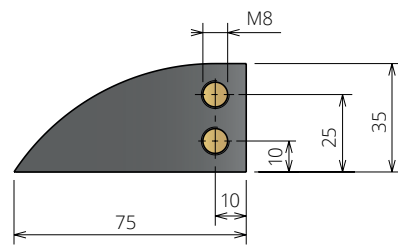


BACK TO CORNER TRACKS/
CURVES/BENDS INDEX (G)



SINGLE TRACK - G00007-a6-T1-B4-Rm1-P0-L2

TRACKS	W
1	129
2	246
3	363
4	480
5	597
6	714
7	831
8	948

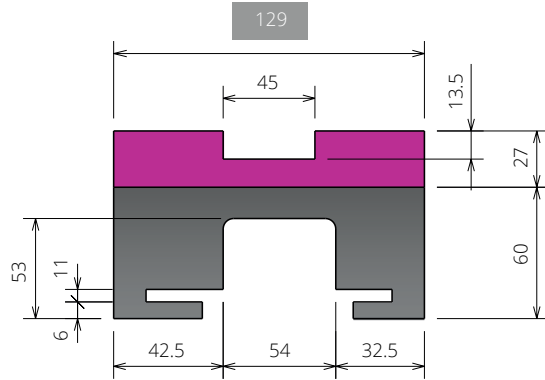
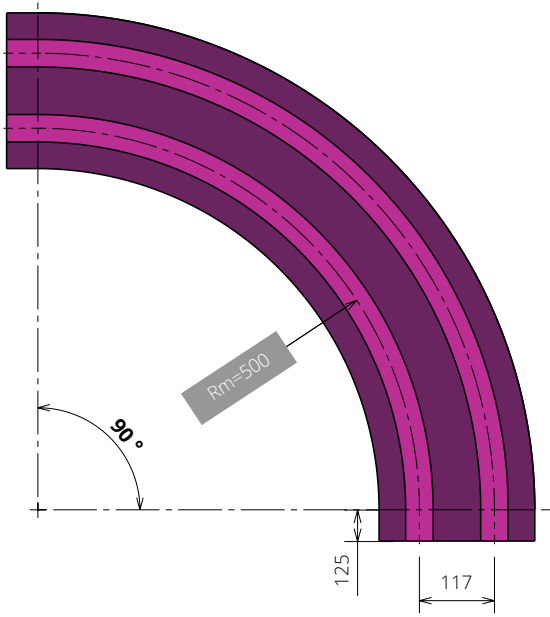


MULTI TRACK - G00007-a6-T2-B4-Rm1-P4-L2

Rm = 610mm - MULTI TRACK - 100mm LEAD IN / LEAD OUT

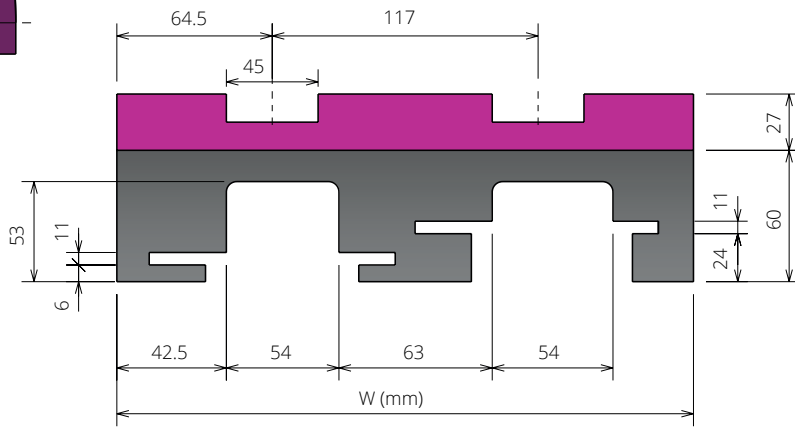
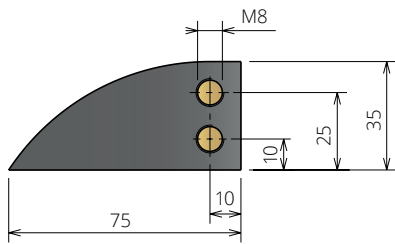
$\alpha 15^\circ$		$\alpha 30^\circ$		$\alpha 45^\circ$	
CODE	DESCRIPTION	CODE	DESCRIPTION	CODE	DESCRIPTION
G00007-a1-T1-B4-Rm1-P0-L2	15°-1T-129w-500CL-100L-MAG	G00007-a2-T1-B4-Rm1-P0-L2	30°-1T-129w-500CL-100L-MAG	G00007-a3-T1-B4-Rm1-P0-L2	45°-1T-129w-500CL-100L-MAG
G00007-a1-T2-B4-Rm1-P4-L2	15°-2T-129w-500CL-P117-100L-MAG	G00007-a2-T2-B4-Rm1-P4-L2	30°-2T-129w-500CL-P117-100L-MAG	G00007-a3-T2-B4-Rm1-P4-L2	45°-2T-129w-500CL-P117-100L-MAG
G00007-a1-T3-B4-Rm1-P4-L2	15°-3T-129w-500CL-P117-100L-MAG	G00007-a2-T3-B4-Rm1-P4-L2	30°-3T-129w-500CL-P117-100L-MAG	G00007-a3-T3-B4-Rm1-P4-L2	45°-3T-129w-500CL-P117-100L-MAG
G00007-a1-T4-B4-Rm1-P4-L2	15°-4T-129w-500CL-P117-100L-MAG	G00007-a2-T4-B4-Rm1-P4-L2	30°-4T-129w-500CL-P117-100L-MAG	G00007-a3-T4-B4-Rm1-P4-L2	45°-4T-129w-500CL-P117-100L-MAG
G00007-a1-T5-B4-Rm1-P4-L2	15°-5T-129w-500CL-P117-100L-MAG	G00007-a2-T5-B4-Rm1-P4-L2	30°-5T-129w-500CL-P117-100L-MAG	G00007-a3-T5-B4-Rm1-P4-L2	45°-5T-129w-500CL-P117-100L-MAG
G00007-a1-T6-B4-Rm1-P4-L2	15°-6T-129w-500CL-P117-100L-MAG	G00007-a2-T6-B4-Rm1-P4-L2	30°-6T-129w-500CL-P117-100L-MAG	G00007-a3-T6-B4-Rm1-P4-L2	45°-6T-129w-500CL-P117-100L-MAG
G00007-a1-T7-B4-Rm1-P4-L2	15°-7T-129w-500CL-P117-100L-MAG	G00007-a2-T7-B4-Rm1-P4-L2	30°-7T-129w-500CL-P117-100L-MAG	G00007-a3-T7-B4-Rm1-P4-L2	45°-7T-129w-500CL-P117-100L-MAG
G00007-a1-T8-B4-Rm1-P4-L2	15°-8T-129w-500CL-P117-100L-MAG	G00007-a2-T8-B4-Rm1-P4-L2	30°-8T-129w-500CL-P117-100L-MAG	G00007-a3-T8-B4-Rm1-P4-L2	45°-8T-129w-500CL-P117-100L-MAG
$\alpha 60^\circ$		$\alpha 75^\circ$		$\alpha 90^\circ$	
CODE	DESCRIPTION	CODE	DESCRIPTION	CODE	DESCRIPTION
G00007-a4-T1-B4-Rm1-P0-L2	60°-1T-129w-500CL-100L-MAG	G00007-a5-T1-B4-Rm1-P0-L2	75°-1T-129w-500CL-100L-MAG	G00007-a6-T1-B4-Rm1-P0-L2	90°-1T-129w-500CL-100L-MAG
G00007-a4-T2-B4-Rm1-P4-L2	60°-2T-129w-500CL-P117-100L-MAG	G00007-a5-T2-B4-Rm1-P4-L2	75°-2T-129w-500CL-P117-100L-MAG	G00007-a6-T2-B4-Rm1-P4-L2	90°-2T-129w-500CL-P117-100L-MAG
G00007-a4-T3-B4-Rm1-P4-L2	60°-3T-129w-500CL-P117-100L-MAG	G00007-a5-T3-B4-Rm1-P4-L2	75°-3T-129w-500CL-P117-100L-MAG	G00007-a6-T3-B4-Rm1-P4-L2	90°-3T-129w-500CL-P117-100L-MAG
G00007-a4-T4-B4-Rm1-P4-L2	60°-4T-129w-500CL-P117-100L-MAG	G00007-a5-T4-B4-Rm1-P4-L2	75°-4T-129w-500CL-P117-100L-MAG	G00007-a6-T4-B4-Rm1-P4-L2	90°-4T-129w-500CL-P117-100L-MAG
G00007-a4-T5-B4-Rm1-P4-L2	60°-5T-129w-500CL-P117-100L-MAG	G00007-a5-T5-B4-Rm1-P4-L2	75°-5T-129w-500CL-P117-100L-MAG	G00007-a6-T5-B4-Rm1-P4-L2	90°-5T-129w-500CL-P117-100L-MAG
G00007-a4-T6-B4-Rm1-P4-L2	60°-6T-129w-500CL-P117-100L-MAG	G00007-a5-T6-B4-Rm1-P4-L2	75°-6T-129w-500CL-P117-100L-MAG	G00007-a6-T6-B4-Rm1-P4-L2	90°-6T-129w-500CL-P117-100L-MAG
G00007-a4-T7-B4-Rm1-P4-L2	60°-7T-129w-500CL-P117-100L-MAG	G00007-a5-T7-B4-Rm1-P4-L2	75°-7T-129w-500CL-P117-100L-MAG	G00007-a6-T7-B4-Rm1-P4-L2	90°-7T-129w-500CL-P117-100L-MAG
G00007-a4-T8-B4-Rm1-P4-L2	60°-8T-129w-500CL-P117-100L-MAG	G00007-a5-T8-B4-Rm1-P4-L2	75°-8T-129w-500CL-P117-100L-MAG	G00007-a6-T8-B4-Rm1-P4-L2	90°-8T-129w-500CL-P117-100L-MAG

NON STANDARD SIZES ARE AVAILABLE ON REQUEST.
STANDARD ORDER QTY: PER SET



SINGLE TRACK - G00007-a6-T1-B4-Rm1-P0-L3

TRACKS	W
1	129
2	246
3	363
4	480
5	597
6	714
7	831
8	948

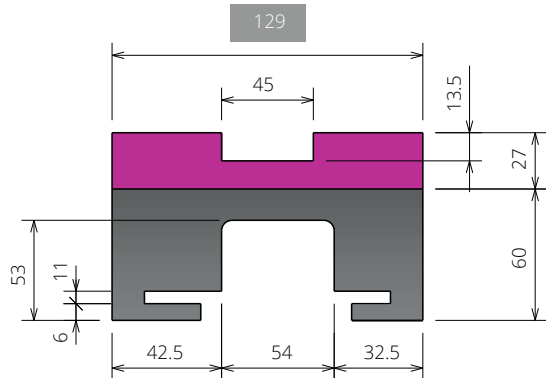
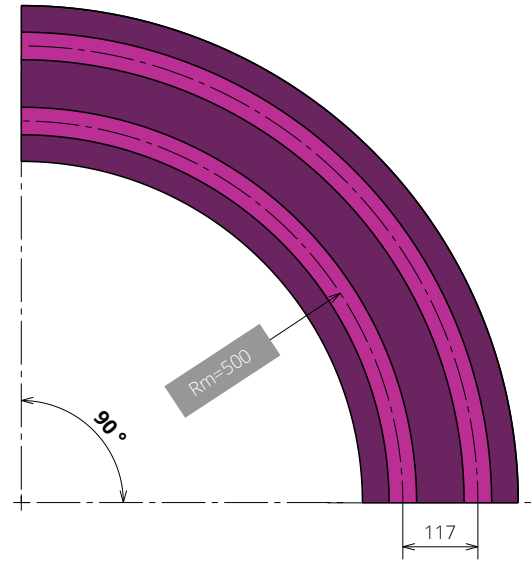


MULTI TRACK - G00007-a6-T2-B4-Rm1-P4-L3

Rm = 610mm - MULTI TRACK - 125mm LEAD IN / LEAD OUT

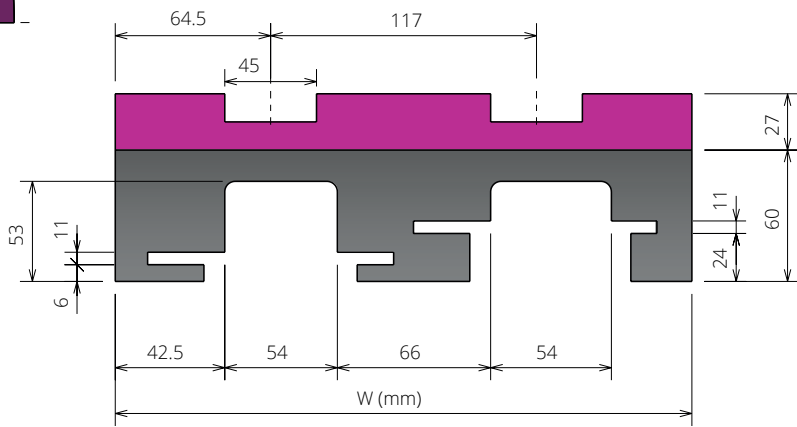
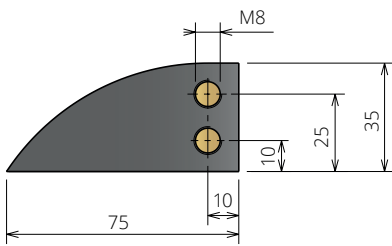
$\alpha 15^\circ$		$\alpha 30^\circ$		$\alpha 45^\circ$	
CODE	DESCRIPTION	CODE	DESCRIPTION	CODE	DESCRIPTION
G00007-a1-T1-B4-Rm1-P0-L3	15°-1T-129w-500CL-125L-MAG	G00007-a2-T1-B4-Rm1-P0-L3	30°-1T-129w-500CL-125L-MAG	G00007-a3-T1-B4-Rm1-P0-L3	45°-1T-129w-500CL-125L-MAG
G00007-a1-T2-B4-Rm1-P4-L3	15°-2T-129w-500CL-P117-125L-MAG	G00007-a2-T2-B4-Rm1-P4-L3	30°-2T-129w-500CL-P117-125L-MAG	G00007-a3-T2-B4-Rm1-P4-L3	45°-2T-129w-500CL-P117-125L-MAG
G00007-a1-T3-B4-Rm1-P4-L3	15°-3T-129w-500CL-P117-125L-MAG	G00007-a2-T3-B4-Rm1-P4-L3	30°-3T-129w-500CL-P117-125L-MAG	G00007-a3-T3-B4-Rm1-P4-L3	45°-3T-129w-500CL-P117-125L-MAG
G00007-a1-T4-B4-Rm1-P4-L3	15°-4T-129w-500CL-P117-125L-MAG	G00007-a2-T4-B4-Rm1-P4-L3	30°-4T-129w-500CL-P117-125L-MAG	G00007-a3-T4-B4-Rm1-P4-L3	45°-4T-129w-500CL-P117-125L-MAG
G00007-a1-T5-B4-Rm1-P4-L3	15°-5T-129w-500CL-P117-125L-MAG	G00007-a2-T5-B4-Rm1-P4-L3	30°-5T-129w-500CL-P117-125L-MAG	G00007-a3-T5-B4-Rm1-P4-L3	45°-5T-129w-500CL-P117-125L-MAG
G00007-a1-T6-B4-Rm1-P4-L3	15°-6T-129w-500CL-P117-125L-MAG	G00007-a2-T6-B4-Rm1-P4-L3	30°-6T-129w-500CL-P117-125L-MAG	G00007-a3-T6-B4-Rm1-P4-L3	45°-6T-129w-500CL-P117-125L-MAG
G00007-a1-T7-B4-Rm1-P4-L3	15°-7T-129w-500CL-P117-125L-MAG	G00007-a2-T7-B4-Rm1-P4-L3	30°-7T-129w-500CL-P117-125L-MAG	G00007-a3-T7-B4-Rm1-P4-L3	45°-7T-129w-500CL-P117-125L-MAG
G00007-a1-T8-B4-Rm1-P4-L3	15°-8T-129w-500CL-P117-125L-MAG	G00007-a2-T8-B4-Rm1-P4-L3	30°-8T-129w-500CL-P117-125L-MAG	G00007-a3-T8-B4-Rm1-P4-L3	45°-8T-129w-500CL-P117-125L-MAG
$\alpha 60^\circ$		$\alpha 75^\circ$		$\alpha 90^\circ$	
CODE	DESCRIPTION	CODE	DESCRIPTION	CODE	DESCRIPTION
G00007-a4-T1-B4-Rm1-P0-L3	60°-1T-129w-500CL-125L-MAG	G00007-a5-T1-B4-Rm1-P0-L3	75°-1T-129w-500CL-125L-MAG	G00007-a6-T1-B4-Rm1-P0-L3	90°-1T-129w-500CL-125L-MAG
G00007-a4-T2-B4-Rm1-P4-L3	60°-2T-129w-500CL-P117-125L-MAG	G00007-a5-T2-B4-Rm1-P4-L3	75°-2T-129w-500CL-P117-125L-MAG	G00007-a6-T2-B4-Rm1-P4-L3	90°-2T-129w-500CL-P117-125L-MAG
G00007-a4-T3-B4-Rm1-P4-L3	60°-3T-129w-500CL-P117-125L-MAG	G00007-a5-T3-B4-Rm1-P4-L3	75°-3T-129w-500CL-P117-125L-MAG	G00007-a6-T3-B4-Rm1-P4-L3	90°-3T-129w-500CL-P117-125L-MAG
G00007-a4-T4-B4-Rm1-P4-L3	60°-4T-129w-500CL-P117-125L-MAG	G00007-a5-T4-B4-Rm1-P4-L3	75°-4T-129w-500CL-P117-125L-MAG	G00007-a6-T4-B4-Rm1-P4-L3	90°-4T-129w-500CL-P117-125L-MAG
G00007-a4-T5-B4-Rm1-P4-L3	60°-5T-129w-500CL-P117-125L-MAG	G00007-a5-T5-B4-Rm1-P4-L3	75°-5T-129w-500CL-P117-125L-MAG	G00007-a6-T5-B4-Rm1-P4-L3	90°-5T-129w-500CL-P117-125L-MAG
G00007-a4-T6-B4-Rm1-P4-L3	60°-6T-129w-500CL-P117-125L-MAG	G00007-a5-T6-B4-Rm1-P4-L3	75°-6T-129w-500CL-P117-125L-MAG	G00007-a6-T6-B4-Rm1-P4-L3	90°-6T-129w-500CL-P117-125L-MAG
G00007-a4-T7-B4-Rm1-P4-L3	60°-7T-129w-500CL-P117-125L-MAG	G00007-a5-T7-B4-Rm1-P4-L3	75°-7T-129w-500CL-P117-125L-MAG	G00007-a6-T7-B4-Rm1-P4-L3	90°-7T-129w-500CL-P117-125L-MAG
G00007-a4-T8-B4-Rm1-P4-L3	60°-8T-129w-500CL-P117-125L-MAG	G00007-a5-T8-B4-Rm1-P4-L3	75°-8T-129w-500CL-P117-125L-MAG	G00007-a6-T8-B4-Rm1-P4-L3	90°-8T-129w-500CL-P117-125L-MAG

NON STANDARD SIZES ARE AVAILABLE ON REQUEST.
STANDARD ORDER QTY: PER SET



SINGLE TRACK - G00007-a6-T1-B4-Rm1-P0-L0

TRACKS	W
1	129
2	246
3	363
4	480
5	597
6	714
7	831
8	948



MULTI TRACK - G00007-a6-T2-B4-Rm1-P4-L0

Rm = 610mm - MULTI TRACK - NO LEAD IN / LEAD OUT

$\alpha 15^\circ$		$\alpha 30^\circ$		$\alpha 45^\circ$	
CODE	DESCRIPTION	CODE	DESCRIPTION	CODE	DESCRIPTION
G00007-a1-T1-B4-Rm1-P0-L0	15°-1T-129w-500CL-0L-MAG	G00007-a2-T1-B4-Rm1-P0-L0	30°-1T-129w-500CL-0L-MAG	G00007-a3-T1-B4-Rm1-P0-L0	45°-1T-129w-500CL-0L-MAG
G00007-a1-T2-B4-Rm1-P4-L0	15°-2T-129w-500CL-P117-0L-MAG	G00007-a2-T2-B4-Rm1-P4-L0	30°-2T-129w-500CL-P117-0L-MAG	G00007-a3-T2-B4-Rm1-P4-L0	45°-2T-129w-500CL-P117-0L-MAG
G00007-a1-T3-B4-Rm1-P4-L0	15°-3T-129w-500CL-P117-0L-MAG	G00007-a2-T3-B4-Rm1-P4-L0	30°-3T-129w-500CL-P117-0L-MAG	G00007-a3-T3-B4-Rm1-P4-L0	45°-3T-129w-500CL-P117-0L-MAG
G00007-a1-T4-B4-Rm1-P4-L0	15°-4T-129w-500CL-P117-0L-MAG	G00007-a2-T4-B4-Rm1-P4-L0	30°-4T-129w-500CL-P117-0L-MAG	G00007-a3-T4-B4-Rm1-P4-L0	45°-4T-129w-500CL-P117-0L-MAG
G00007-a1-T5-B4-Rm1-P4-L0	15°-5T-129w-500CL-P117-0L-MAG	G00007-a2-T5-B4-Rm1-P4-L0	30°-5T-129w-500CL-P117-0L-MAG	G00007-a3-T5-B4-Rm1-P4-L0	45°-5T-129w-500CL-P117-0L-MAG
G00007-a1-T6-B4-Rm1-P4-L0	15°-6T-129w-500CL-P117-0L-MAG	G00007-a2-T6-B4-Rm1-P4-L0	30°-6T-129w-500CL-P117-0L-MAG	G00007-a3-T6-B4-Rm1-P4-L0	45°-6T-129w-500CL-P117-0L-MAG
G00007-a1-T7-B4-Rm1-P4-L0	15°-7T-129w-500CL-P117-0L-MAG	G00007-a2-T7-B4-Rm1-P4-L0	30°-7T-129w-500CL-P117-0L-MAG	G00007-a3-T7-B4-Rm1-P4-L0	45°-7T-129w-500CL-P117-0L-MAG
G00007-a1-T8-B4-Rm1-P4-L0	15°-8T-129w-500CL-P117-0L-MAG	G00007-a2-T8-B4-Rm1-P4-L0	30°-8T-129w-500CL-P117-0L-MAG	G00007-a3-T8-B4-Rm1-P4-L0	45°-8T-129w-500CL-P117-0L-MAG
$\alpha 60^\circ$		$\alpha 75^\circ$		$\alpha 90^\circ$	
CODE	DESCRIPTION	CODE	DESCRIPTION	CODE	DESCRIPTION
G00007-a4-T1-B4-Rm1-P0-L0	60°-1T-129w-500CL-0L-MAG	G00007-a5-T1-B4-Rm1-P0-L0	75°-1T-129w-500CL-0L-MAG	G00007-a6-T1-B4-Rm1-P0-L0	90°-1T-129w-500CL-0L-MAG
G00007-a4-T2-B4-Rm1-P4-L0	60°-2T-129w-500CL-P117-0L-MAG	G00007-a5-T2-B4-Rm1-P4-L0	75°-2T-129w-500CL-P117-0L-MAG	G00007-a6-T2-B4-Rm1-P4-L0	90°-2T-129w-500CL-P117-0L-MAG
G00007-a4-T3-B4-Rm1-P4-L0	60°-3T-129w-500CL-P117-0L-MAG	G00007-a5-T3-B4-Rm1-P4-L0	75°-3T-129w-500CL-P117-0L-MAG	G00007-a6-T3-B4-Rm1-P4-L0	90°-3T-129w-500CL-P117-0L-MAG
G00007-a4-T4-B4-Rm1-P4-L0	60°-4T-129w-500CL-P117-0L-MAG	G00007-a5-T4-B4-Rm1-P4-L0	75°-4T-129w-500CL-P117-0L-MAG	G00007-a6-T4-B4-Rm1-P4-L0	90°-4T-129w-500CL-P117-0L-MAG
G00007-a4-T5-B4-Rm1-P4-L0	60°-5T-129w-500CL-P117-0L-MAG	G00007-a5-T5-B4-Rm1-P4-L0	75°-5T-129w-500CL-P117-0L-MAG	G00007-a6-T5-B4-Rm1-P4-L0	90°-5T-129w-500CL-P117-0L-MAG
G00007-a4-T6-B4-Rm1-P4-L0	60°-6T-129w-500CL-P117-0L-MAG	G00007-a5-T6-B4-Rm1-P4-L0	75°-6T-129w-500CL-P117-0L-MAG	G00007-a6-T6-B4-Rm1-P4-L0	90°-6T-129w-500CL-P117-0L-MAG
G00007-a4-T7-B4-Rm1-P4-L0	60°-7T-129w-500CL-P117-0L-MAG	G00007-a5-T7-B4-Rm1-P4-L0	75°-7T-129w-500CL-P117-0L-MAG	G00007-a6-T7-B4-Rm1-P4-L0	90°-7T-129w-500CL-P117-0L-MAG
G00007-a4-T8-B4-Rm1-P4-L0	60°-8T-129w-500CL-P117-0L-MAG	G00007-a5-T8-B4-Rm1-P4-L0	75°-8T-129w-500CL-P117-0L-MAG	G00007-a6-T8-B4-Rm1-P4-L0	90°-8T-129w-500CL-P117-0L-MAG

NON STANDARD SIZES ARE AVAILABLE ON REQUEST.
STANDARD ORDER QTY: PER SET



CHAINS/BELTS
PG. E44 - E45



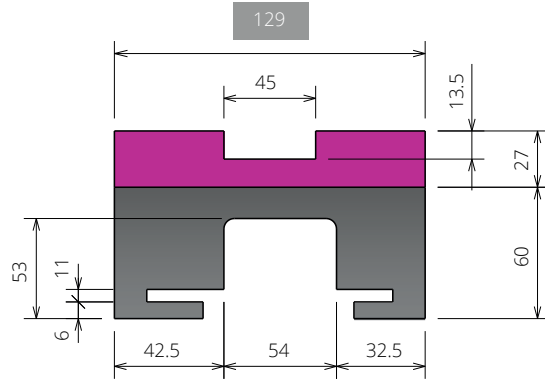
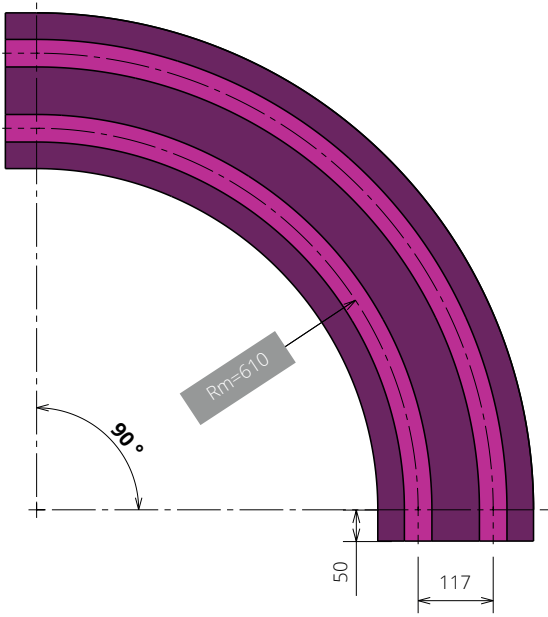
MATERIALS



TABLE OF
CONTENTS

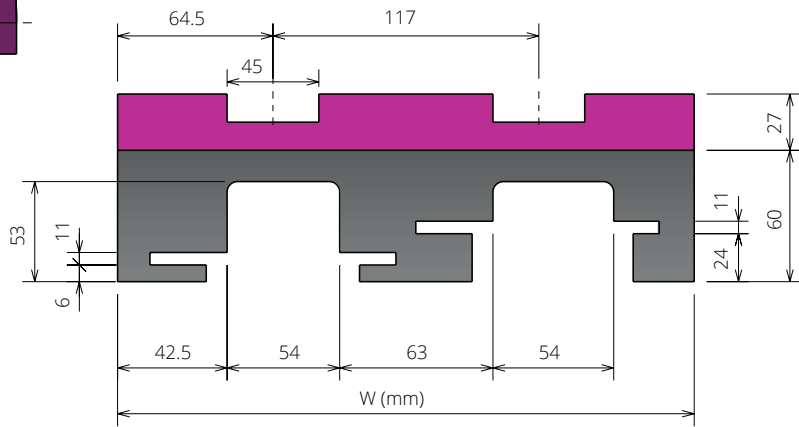
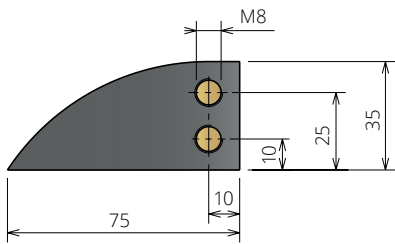


BACK TO CORNER TRACKS/
CURVES/BENDS INDEX (G)



SINGLE TRACK - G00007-a6-T1-B4-Rm2-P0-L1

TRACKS	W
1	129
2	246
3	363
4	480
5	597
6	714
7	831
8	948



MULTI TRACK - G00007-a6-T2-B4-Rm2-P4-L1

Rm = 610mm - MULTI TRACK - 50mm LEAD IN / LEAD OUT

$\alpha 15^\circ$		$\alpha 30^\circ$		$\alpha 45^\circ$	
CODE	DESCRIPTION	CODE	DESCRIPTION	CODE	DESCRIPTION
G00007-a1-T1-B4-Rm2-P0-L1	15°-1T-129w-610CL-50L-MAG	G00007-a2-T1-B4-Rm2-P0-L1	30°-1T-129w-610CL-50L-MAG	G00007-a3-T1-B4-Rm2-P0-L1	45°-1T-129w-610CL-50L-MAG
G00007-a1-T2-B4-Rm2-P4-L1	15°-2T-129w-610CL-P117-50L-MAG	G00007-a2-T2-B4-Rm2-P4-L1	30°-2T-129w-610CL-P117-50L-MAG	G00007-a3-T2-B4-Rm2-P4-L1	45°-2T-129w-610CL-P117-50L-MAG
G00007-a1-T3-B4-Rm2-P4-L1	15°-3T-129w-610CL-P117-50L-MAG	G00007-a2-T3-B4-Rm2-P4-L1	30°-3T-129w-610CL-P117-50L-MAG	G00007-a3-T3-B4-Rm2-P4-L1	45°-3T-129w-610CL-P117-50L-MAG
G00007-a1-T4-B4-Rm2-P4-L1	15°-4T-129w-610CL-P117-50L-MAG	G00007-a2-T4-B4-Rm2-P4-L1	30°-4T-129w-610CL-P117-50L-MAG	G00007-a3-T4-B4-Rm2-P4-L1	45°-4T-129w-610CL-P117-50L-MAG
G00007-a1-T5-B4-Rm2-P4-L1	15°-5T-129w-610CL-P117-50L-MAG	G00007-a2-T5-B4-Rm2-P4-L1	30°-5T-129w-610CL-P117-50L-MAG	G00007-a3-T5-B4-Rm2-P4-L1	45°-5T-129w-610CL-P117-50L-MAG
G00007-a1-T6-B4-Rm2-P4-L1	15°-6T-129w-610CL-P117-50L-MAG	G00007-a2-T6-B4-Rm2-P4-L1	30°-6T-129w-610CL-P117-50L-MAG	G00007-a3-T6-B4-Rm2-P4-L1	45°-6T-129w-610CL-P117-50L-MAG
G00007-a1-T7-B4-Rm2-P4-L1	15°-7T-129w-610CL-P117-50L-MAG	G00007-a2-T7-B4-Rm2-P4-L1	30°-7T-129w-610CL-P117-50L-MAG	G00007-a3-T7-B4-Rm2-P4-L1	45°-7T-129w-610CL-P117-50L-MAG
G00007-a1-T8-B4-Rm2-P4-L1	15°-8T-129w-610CL-P117-50L-MAG	G00007-a2-T8-B4-Rm2-P4-L1	30°-8T-129w-610CL-P117-50L-MAG	G00007-a3-T8-B4-Rm2-P4-L1	45°-8T-129w-610CL-P117-50L-MAG
$\alpha 60^\circ$		$\alpha 75^\circ$		$\alpha 90^\circ$	
CODE	DESCRIPTION	CODE	DESCRIPTION	CODE	DESCRIPTION
G00007-a4-T1-B4-Rm2-P0-L1	60°-1T-129w-610CL-50L-MAG	G00007-a5-T1-B4-Rm2-P0-L1	75°-1T-129w-610CL-50L-MAG	G00007-a6-T1-B4-Rm2-P0-L1	90°-1T-129w-610CL-50L-MAG
G00007-a4-T2-B4-Rm2-P4-L1	60°-2T-129w-610CL-P117-50L-MAG	G00007-a5-T2-B4-Rm2-P4-L1	75°-2T-129w-610CL-P117-50L-MAG	G00007-a6-T2-B4-Rm2-P4-L1	90°-2T-129w-610CL-P117-50L-MAG
G00007-a4-T3-B4-Rm2-P4-L1	60°-3T-129w-610CL-P117-50L-MAG	G00007-a5-T3-B4-Rm2-P4-L1	75°-3T-129w-610CL-P117-50L-MAG	G00007-a6-T3-B4-Rm2-P4-L1	90°-3T-129w-610CL-P117-50L-MAG
G00007-a4-T4-B4-Rm2-P4-L1	60°-4T-129w-610CL-P117-50L-MAG	G00007-a5-T4-B4-Rm2-P4-L1	75°-4T-129w-610CL-P117-50L-MAG	G00007-a6-T4-B4-Rm2-P4-L1	90°-4T-129w-610CL-P117-50L-MAG
G00007-a4-T5-B4-Rm2-P4-L1	60°-5T-129w-610CL-P117-50L-MAG	G00007-a5-T5-B4-Rm2-P4-L1	75°-5T-129w-610CL-P117-50L-MAG	G00007-a6-T5-B4-Rm2-P4-L1	90°-5T-129w-610CL-P117-50L-MAG
G00007-a4-T6-B4-Rm2-P4-L1	60°-6T-129w-610CL-P117-50L-MAG	G00007-a5-T6-B4-Rm2-P4-L1	75°-6T-129w-610CL-P117-50L-MAG	G00007-a6-T6-B4-Rm2-P4-L1	90°-6T-129w-610CL-P117-50L-MAG
G00007-a4-T7-B4-Rm2-P4-L1	60°-7T-129w-610CL-P117-50L-MAG	G00007-a5-T7-B4-Rm2-P4-L1	75°-7T-129w-610CL-P117-50L-MAG	G00007-a6-T7-B4-Rm2-P4-L1	90°-7T-129w-610CL-P117-50L-MAG
G00007-a4-T8-B4-Rm2-P4-L1	60°-8T-129w-610CL-P117-50L-MAG	G00007-a5-T8-B4-Rm2-P4-L1	75°-8T-129w-610CL-P117-50L-MAG	G00007-a6-T8-B4-Rm2-P4-L1	90°-8T-129w-610CL-P117-50L-MAG

NON STANDARD SIZES ARE AVAILABLE ON REQUEST.
STANDARD ORDER QTY: PER SET



CHAINS/BELTS
PG. E44 - E45



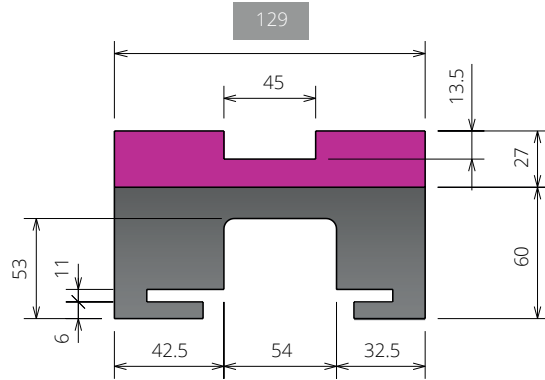
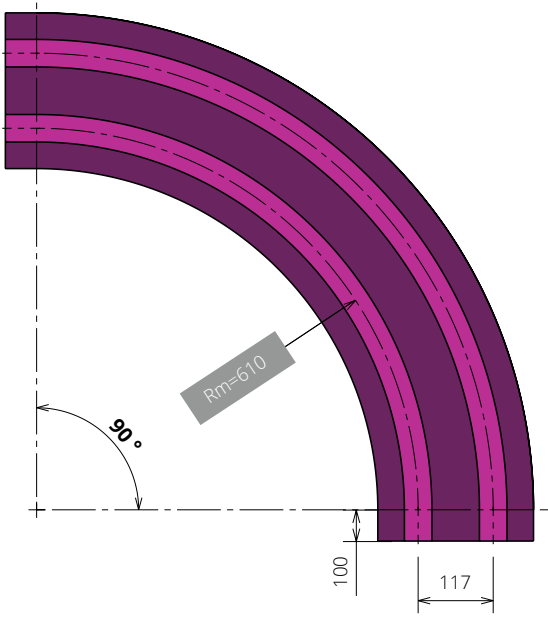
MATERIALS



TABLE OF
CONTENTS

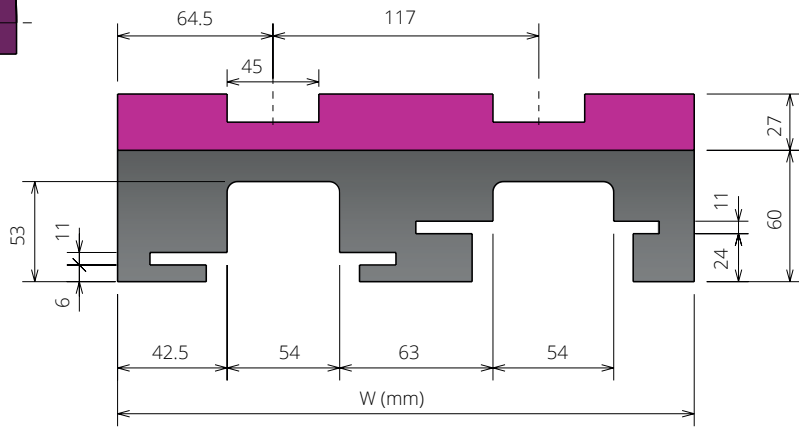
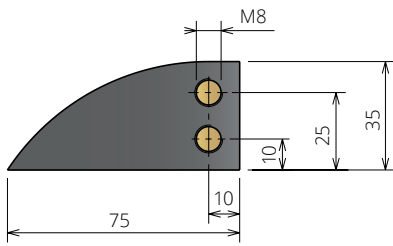


BACK TO CORNER TRACKS/
CURVES/BENDS INDEX (G)



SINGLE TRACK - G00007-a6-T1-B4-Rm2-P0-L2

TRACKS	W
1	129
2	246
3	363
4	480
5	597
6	714
7	831
8	948

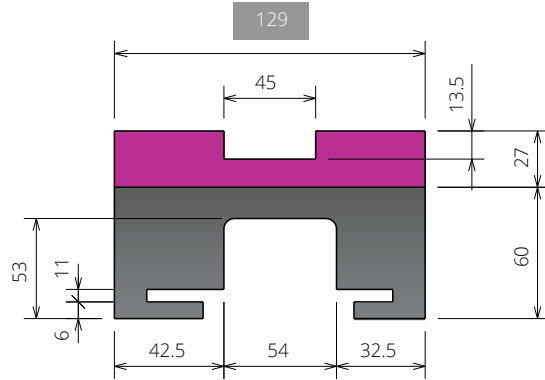
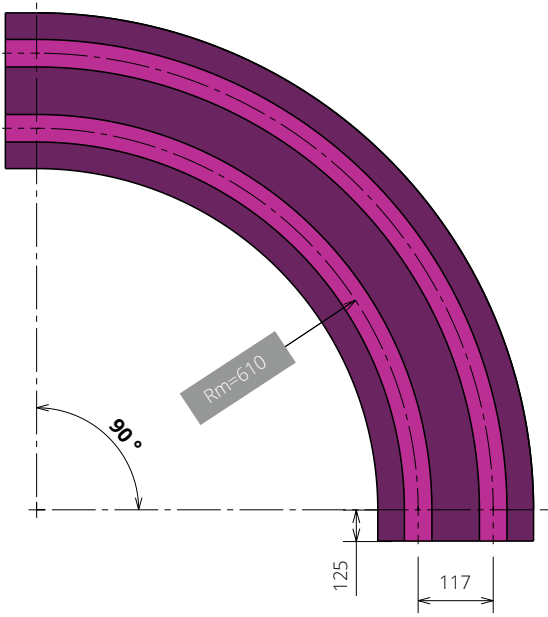


MULTI TRACK - G00007-a6-T2-B4-Rm2-P4-L2

Rm = 610mm - MULTI TRACK - 100mm LEAD IN / LEAD OUT

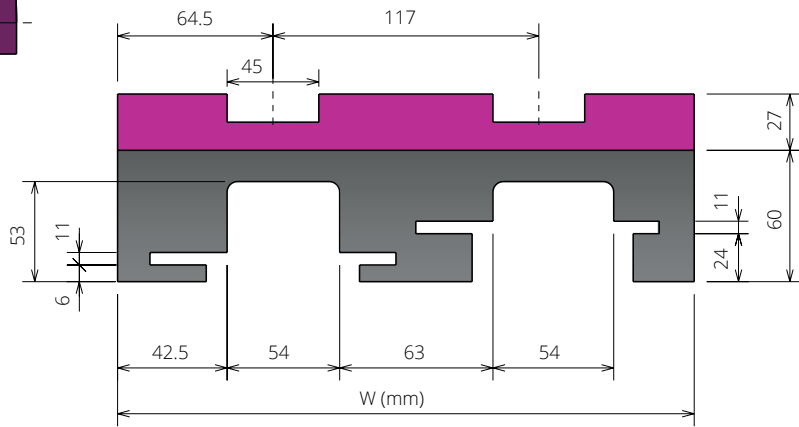
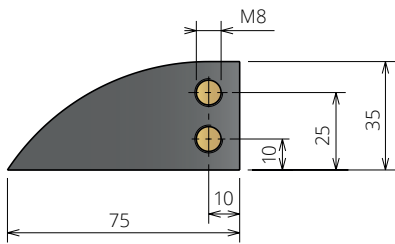
α 15°		α 30°		α 45°	
CODE	DESCRIPTION	CODE	DESCRIPTION	CODE	DESCRIPTION
G00007-a1-T1-B4-Rm2-P0-L2	15°-1T-129w-610CL-100L-MAG	G00007-a2-T1-B4-Rm2-P0-L2	30°-1T-129w-610CL-100L-MAG	G00007-a3-T1-B4-Rm2-P0-L2	45°-1T-129w-610CL-100L-MAG
G00007-a1-T2-B4-Rm2-P4-L2	15°-2T-129w-610CL-P117-100L-MAG	G00007-a2-T2-B4-Rm2-P4-L2	30°-2T-129w-610CL-P117-100L-MAG	G00007-a3-T2-B4-Rm2-P4-L2	45°-2T-129w-610CL-P117-100L-MAG
G00007-a1-T3-B4-Rm2-P4-L2	15°-3T-129w-610CL-P117-100L-MAG	G00007-a2-T3-B4-Rm2-P4-L2	30°-3T-129w-610CL-P117-100L-MAG	G00007-a3-T3-B4-Rm2-P4-L2	45°-3T-129w-610CL-P117-100L-MAG
G00007-a1-T4-B4-Rm2-P4-L2	15°-4T-129w-610CL-P117-100L-MAG	G00007-a2-T4-B4-Rm2-P4-L2	30°-4T-129w-610CL-P117-100L-MAG	G00007-a3-T4-B4-Rm2-P4-L2	45°-4T-129w-610CL-P117-100L-MAG
G00007-a1-T5-B4-Rm2-P4-L2	15°-5T-129w-610CL-P117-100L-MAG	G00007-a2-T5-B4-Rm2-P4-L2	30°-5T-129w-610CL-P117-100L-MAG	G00007-a3-T5-B4-Rm2-P4-L2	45°-5T-129w-610CL-P117-100L-MAG
G00007-a1-T6-B4-Rm2-P4-L2	15°-6T-129w-610CL-P117-100L-MAG	G00007-a2-T6-B4-Rm2-P4-L2	30°-6T-129w-610CL-P117-100L-MAG	G00007-a3-T6-B4-Rm2-P4-L2	45°-6T-129w-610CL-P117-100L-MAG
G00007-a1-T7-B4-Rm2-P4-L2	15°-7T-129w-610CL-P117-100L-MAG	G00007-a2-T7-B4-Rm2-P4-L2	30°-7T-129w-610CL-P117-100L-MAG	G00007-a3-T7-B4-Rm2-P4-L2	45°-7T-129w-610CL-P117-100L-MAG
G00007-a1-T8-B4-Rm2-P4-L2	15°-8T-129w-610CL-P117-100L-MAG	G00007-a2-T8-B4-Rm2-P4-L2	30°-8T-129w-610CL-P117-100L-MAG	G00007-a3-T8-B4-Rm2-P4-L2	45°-8T-129w-610CL-P117-100L-MAG
α 60°		α 75°		α 90°	
CODE	DESCRIPTION	CODE	DESCRIPTION	CODE	DESCRIPTION
G00007-a4-T1-B4-Rm2-P0-L2	60°-1T-129w-610CL-100L-MAG	G00007-a5-T1-B4-Rm2-P0-L2	75°-1T-129w-610CL-100L-MAG	G00007-a6-T1-B4-Rm2-P0-L2	90°-1T-129w-610CL-100L-MAG
G00007-a4-T2-B4-Rm2-P4-L2	60°-2T-129w-610CL-P117-100L-MAG	G00007-a5-T2-B4-Rm2-P4-L2	75°-2T-129w-610CL-P117-100L-MAG	G00007-a6-T2-B4-Rm2-P4-L2	90°-2T-129w-610CL-P117-100L-MAG
G00007-a4-T3-B4-Rm2-P4-L2	60°-3T-129w-610CL-P117-100L-MAG	G00007-a5-T3-B4-Rm2-P4-L2	75°-3T-129w-610CL-P117-100L-MAG	G00007-a6-T3-B4-Rm2-P4-L2	90°-3T-129w-610CL-P117-100L-MAG
G00007-a4-T4-B4-Rm2-P4-L2	60°-4T-129w-610CL-P117-100L-MAG	G00007-a5-T4-B4-Rm2-P4-L2	75°-4T-129w-610CL-P117-100L-MAG	G00007-a6-T4-B4-Rm2-P4-L2	90°-4T-129w-610CL-P117-100L-MAG
G00007-a4-T5-B4-Rm2-P4-L2	60°-5T-129w-610CL-P117-100L-MAG	G00007-a5-T5-B4-Rm2-P4-L2	75°-5T-129w-610CL-P117-100L-MAG	G00007-a6-T5-B4-Rm2-P4-L2	90°-5T-129w-610CL-P117-100L-MAG
G00007-a4-T6-B4-Rm2-P4-L2	60°-6T-129w-610CL-P117-100L-MAG	G00007-a5-T6-B4-Rm2-P4-L2	75°-6T-129w-610CL-P117-100L-MAG	G00007-a6-T6-B4-Rm2-P4-L2	90°-6T-129w-610CL-P117-100L-MAG
G00007-a4-T7-B4-Rm2-P4-L2	60°-7T-129w-610CL-P117-100L-MAG	G00007-a5-T7-B4-Rm2-P4-L2	75°-7T-129w-610CL-P117-100L-MAG	G00007-a6-T7-B4-Rm2-P4-L2	90°-7T-129w-610CL-P117-100L-MAG
G00007-a4-T8-B4-Rm2-P4-L2	60°-8T-129w-610CL-P117-100L-MAG	G00007-a5-T8-B4-Rm2-P4-L2	75°-8T-129w-610CL-P117-100L-MAG	G00007-a6-T8-B4-Rm2-P4-L2	90°-8T-129w-610CL-P117-100L-MAG

NON STANDARD SIZES ARE AVAILABLE ON REQUEST.
STANDARD ORDER QTY: PER SET



SINGLE TRACK - G00007-a6-T1-B4-Rm2-P0-L3

TRACKS	W
1	129
2	246
3	363
4	480
5	597
6	714
7	831
8	948

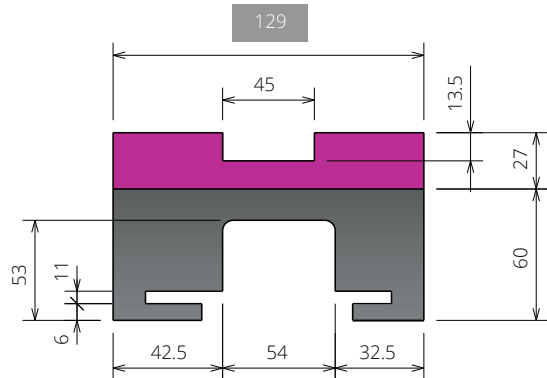
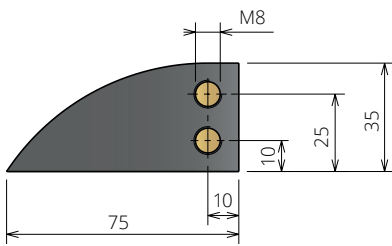
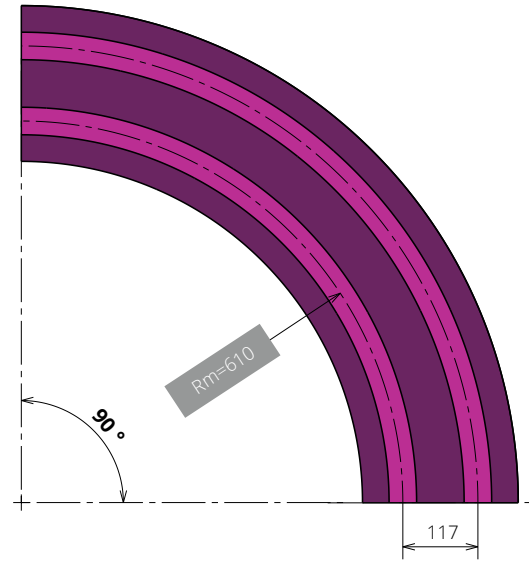


MULTI TRACK - G00007-a6-T2-B4-Rm2-P4-L3

Rm = 610mm - MULTI TRACK - 125mm LEAD IN / LEAD OUT

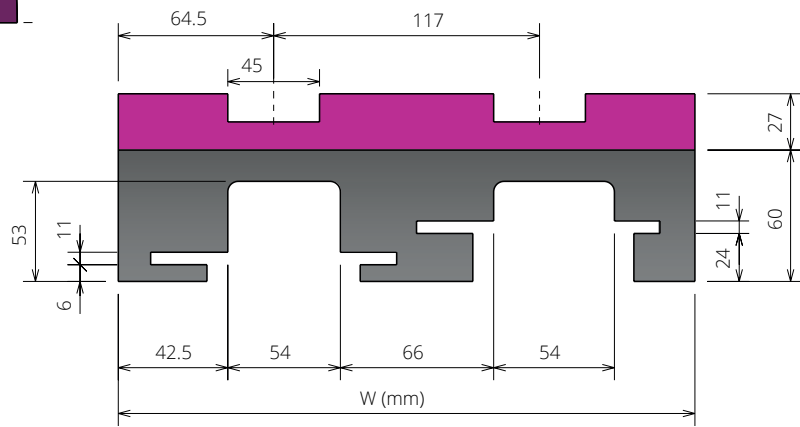
$\alpha 15^\circ$		$\alpha 30^\circ$		$\alpha 45^\circ$	
CODE	DESCRIPTION	CODE	DESCRIPTION	CODE	DESCRIPTION
G00007-a1-T1-B4-Rm2-P0-L3	15°-1T-129w-610CL-125L-MAG	G00007-a2-T1-B4-Rm2-P0-L3	30°-1T-129w-610CL-125L-MAG	G00007-a3-T1-B4-Rm2-P0-L3	45°-1T-129w-610CL-125L-MAG
G00007-a1-T2-B4-Rm2-P4-L3	15°-2T-129w-610CL-P117-125L-MAG	G00007-a2-T2-B4-Rm2-P4-L3	30°-2T-129w-610CL-P117-125L-MAG	G00007-a3-T2-B4-Rm2-P4-L3	45°-2T-129w-610CL-P117-125L-MAG
G00007-a1-T3-B4-Rm2-P4-L3	15°-3T-129w-610CL-P117-125L-MAG	G00007-a2-T3-B4-Rm2-P4-L3	30°-3T-129w-610CL-P117-125L-MAG	G00007-a3-T3-B4-Rm2-P4-L3	45°-3T-129w-610CL-P117-125L-MAG
G00007-a1-T4-B4-Rm2-P4-L3	15°-4T-129w-610CL-P117-125L-MAG	G00007-a2-T4-B4-Rm2-P4-L3	30°-4T-129w-610CL-P117-125L-MAG	G00007-a3-T4-B4-Rm2-P4-L3	45°-4T-129w-610CL-P117-125L-MAG
G00007-a1-T5-B4-Rm2-P4-L3	15°-5T-129w-610CL-P117-125L-MAG	G00007-a2-T5-B4-Rm2-P4-L3	30°-5T-129w-610CL-P117-125L-MAG	G00007-a3-T5-B4-Rm2-P4-L3	45°-5T-129w-610CL-P117-125L-MAG
G00007-a1-T6-B4-Rm2-P4-L3	15°-6T-129w-610CL-P117-125L-MAG	G00007-a2-T6-B4-Rm2-P4-L3	30°-6T-129w-610CL-P117-125L-MAG	G00007-a3-T6-B4-Rm2-P4-L3	45°-6T-129w-610CL-P117-125L-MAG
G00007-a1-T7-B4-Rm2-P4-L3	15°-7T-129w-610CL-P117-125L-MAG	G00007-a2-T7-B4-Rm2-P4-L3	30°-7T-129w-610CL-P117-125L-MAG	G00007-a3-T7-B4-Rm2-P4-L3	45°-7T-129w-610CL-P117-125L-MAG
G00007-a1-T8-B4-Rm2-P4-L3	15°-8T-129w-610CL-P117-125L-MAG	G00007-a2-T8-B4-Rm2-P4-L3	30°-8T-129w-610CL-P117-125L-MAG	G00007-a3-T8-B4-Rm2-P4-L3	45°-8T-129w-610CL-P117-125L-MAG
$\alpha 60^\circ$		$\alpha 75^\circ$		$\alpha 90^\circ$	
CODE	DESCRIPTION	CODE	DESCRIPTION	CODE	DESCRIPTION
G00007-a4-T1-B4-Rm2-P0-L3	60°-1T-129w-610CL-125L-MAG	G00007-a5-T1-B4-Rm2-P0-L3	75°-1T-129w-610CL-125L-MAG	G00007-a6-T1-B4-Rm2-P0-L3	90°-1T-129w-610CL-125L-MAG
G00007-a4-T2-B4-Rm2-P4-L3	60°-2T-129w-610CL-P117-125L-MAG	G00007-a5-T2-B4-Rm2-P4-L3	75°-2T-129w-610CL-P117-125L-MAG	G00007-a6-T2-B4-Rm2-P4-L3	90°-2T-129w-610CL-P117-125L-MAG
G00007-a4-T3-B4-Rm2-P4-L3	60°-3T-129w-610CL-P117-125L-MAG	G00007-a5-T3-B4-Rm2-P4-L3	75°-3T-129w-610CL-P117-125L-MAG	G00007-a6-T3-B4-Rm2-P4-L3	90°-3T-129w-610CL-P117-125L-MAG
G00007-a4-T4-B4-Rm2-P4-L3	60°-4T-129w-610CL-P117-125L-MAG	G00007-a5-T4-B4-Rm2-P4-L3	75°-4T-129w-610CL-P117-125L-MAG	G00007-a6-T4-B4-Rm2-P4-L3	90°-4T-129w-610CL-P117-125L-MAG
G00007-a4-T5-B4-Rm2-P4-L3	60°-5T-129w-610CL-P117-125L-MAG	G00007-a5-T5-B4-Rm2-P4-L3	75°-5T-129w-610CL-P117-125L-MAG	G00007-a6-T5-B4-Rm2-P4-L3	90°-5T-129w-610CL-P117-125L-MAG
G00007-a4-T6-B4-Rm2-P4-L3	60°-6T-129w-610CL-P117-125L-MAG	G00007-a5-T6-B4-Rm2-P4-L3	75°-6T-129w-610CL-P117-125L-MAG	G00007-a6-T6-B4-Rm2-P4-L3	90°-6T-129w-610CL-P117-125L-MAG
G00007-a4-T7-B4-Rm2-P4-L3	60°-7T-129w-610CL-P117-125L-MAG	G00007-a5-T7-B4-Rm2-P4-L3	75°-7T-129w-610CL-P117-125L-MAG	G00007-a6-T7-B4-Rm2-P4-L3	90°-7T-129w-610CL-P117-125L-MAG
G00007-a4-T8-B4-Rm2-P4-L3	60°-8T-129w-610CL-P117-125L-MAG	G00007-a5-T8-B4-Rm2-P4-L3	75°-8T-129w-610CL-P117-125L-MAG	G00007-a6-T8-B4-Rm2-P4-L3	90°-8T-129w-610CL-P117-125L-MAG

NON STANDARD SIZES ARE AVAILABLE ON REQUEST.
STANDARD ORDER QTY: PER SET



SINGLE TRACK - G00007-a6-T1-B4-Rm2-P0-L0

TRACKS	W
1	129
2	246
3	363
4	480
5	597
6	714
7	831
8	948



MULTI TRACK - G00007-a6-T2-B4-Rm2-P4-L0

Rm = 610mm - MULTI TRACK - NO LEAD IN / LEAD OUT

$\alpha 15^\circ$		$\alpha 30^\circ$		$\alpha 45^\circ$	
CODE	DESCRIPTION	CODE	DESCRIPTION	CODE	DESCRIPTION
G00007-a1-T1-B4-Rm2-P0-L0	15°-1T-129w-610CL-0L-MAG	G00007-a2-T1-B4-Rm2-P0-L0	30°-1T-129w-610CL-0L-MAG	G00007-a3-T1-B4-Rm2-P0-L0	45°-1T-129w-610CL-0L-MAG
G00007-a1-T2-B4-Rm2-P4-L0	15°-2T-129w-610CL-P117-0L-MAG	G00007-a2-T2-B4-Rm2-P4-L0	30°-2T-129w-610CL-P117-0L-MAG	G00007-a3-T2-B4-Rm2-P4-L0	45°-2T-129w-610CL-P117-0L-MAG
G00007-a1-T3-B4-Rm2-P4-L0	15°-3T-129w-610CL-P117-0L-MAG	G00007-a2-T3-B4-Rm2-P4-L0	30°-3T-129w-610CL-P117-0L-MAG	G00007-a3-T3-B4-Rm2-P4-L0	45°-3T-129w-610CL-P117-0L-MAG
G00007-a1-T4-B4-Rm2-P4-L0	15°-4T-129w-610CL-P117-0L-MAG	G00007-a2-T4-B4-Rm2-P4-L0	30°-4T-129w-610CL-P117-0L-MAG	G00007-a3-T4-B4-Rm2-P4-L0	45°-4T-129w-610CL-P117-0L-MAG
G00007-a1-T5-B4-Rm2-P4-L0	15°-5T-129w-610CL-P117-0L-MAG	G00007-a2-T5-B4-Rm2-P4-L0	30°-5T-129w-610CL-P117-0L-MAG	G00007-a3-T5-B4-Rm2-P4-L0	45°-5T-129w-610CL-P117-0L-MAG
G00007-a1-T6-B4-Rm2-P4-L0	15°-6T-129w-610CL-P117-0L-MAG	G00007-a2-T6-B4-Rm2-P4-L0	30°-6T-129w-610CL-P117-0L-MAG	G00007-a3-T6-B4-Rm2-P4-L0	45°-6T-129w-610CL-P117-0L-MAG
G00007-a1-T7-B4-Rm2-P4-L0	15°-7T-129w-610CL-P117-0L-MAG	G00007-a2-T7-B4-Rm2-P4-L0	30°-7T-129w-610CL-P117-0L-MAG	G00007-a3-T7-B4-Rm2-P4-L0	45°-7T-129w-610CL-P117-0L-MAG
G00007-a1-T8-B4-Rm2-P4-L0	15°-8T-129w-610CL-P117-0L-MAG	G00007-a2-T8-B4-Rm2-P4-L0	30°-8T-129w-610CL-P117-0L-MAG	G00007-a3-T8-B4-Rm2-P4-L0	45°-8T-129w-610CL-P117-0L-MAG
$\alpha 60^\circ$		$\alpha 75^\circ$		$\alpha 90^\circ$	
CODE	DESCRIPTION	CODE	DESCRIPTION	CODE	DESCRIPTION
G00007-a4-T1-B4-Rm2-P0-L0	60°-1T-129w-610CL-0L-MAG	G00007-a5-T1-B4-Rm2-P0-L0	75°-1T-129w-610CL-0L-MAG	G00007-a6-T1-B4-Rm2-P0-L0	90°-1T-129w-610CL-0L-MAG
G00007-a4-T2-B4-Rm2-P4-L0	60°-2T-129w-610CL-P117-0L-MAG	G00007-a5-T2-B4-Rm2-P4-L0	75°-2T-129w-610CL-P117-0L-MAG	G00007-a6-T2-B4-Rm2-P4-L0	90°-2T-129w-610CL-P117-0L-MAG
G00007-a4-T3-B4-Rm2-P4-L0	60°-3T-129w-610CL-P117-0L-MAG	G00007-a5-T3-B4-Rm2-P4-L0	75°-3T-129w-610CL-P117-0L-MAG	G00007-a6-T3-B4-Rm2-P4-L0	90°-3T-129w-610CL-P117-0L-MAG
G00007-a4-T4-B4-Rm2-P4-L0	60°-4T-129w-610CL-P117-0L-MAG	G00007-a5-T4-B4-Rm2-P4-L0	75°-4T-129w-610CL-P117-0L-MAG	G00007-a6-T4-B4-Rm2-P4-L0	90°-4T-129w-610CL-P117-0L-MAG
G00007-a4-T5-B4-Rm2-P4-L0	60°-5T-129w-610CL-P117-0L-MAG	G00007-a5-T5-B4-Rm2-P4-L0	75°-5T-129w-610CL-P117-0L-MAG	G00007-a6-T5-B4-Rm2-P4-L0	90°-5T-129w-610CL-P117-0L-MAG
G00007-a4-T6-B4-Rm2-P4-L0	60°-6T-129w-610CL-P117-0L-MAG	G00007-a5-T6-B4-Rm2-P4-L0	75°-6T-129w-610CL-P117-0L-MAG	G00007-a6-T6-B4-Rm2-P4-L0	90°-6T-129w-610CL-P117-0L-MAG
G00007-a4-T7-B4-Rm2-P4-L0	60°-7T-129w-610CL-P117-0L-MAG	G00007-a5-T7-B4-Rm2-P4-L0	75°-7T-129w-610CL-P117-0L-MAG	G00007-a6-T7-B4-Rm2-P4-L0	90°-7T-129w-610CL-P117-0L-MAG
G00007-a4-T8-B4-Rm2-P4-L0	60°-8T-129w-610CL-P117-0L-MAG	G00007-a5-T8-B4-Rm2-P4-L0	75°-8T-129w-610CL-P117-0L-MAG	G00007-a6-T8-B4-Rm2-P4-L0	90°-8T-129w-610CL-P117-0L-MAG

NON STANDARD SIZES ARE AVAILABLE ON REQUEST.

STANDARD ORDER QTY: PER SET



CHAINS/BELTS
PG. E44 - E45



MATERIALS



TABLE OF
CONTENTS



BACK TO CORNER TRACKS/
CURVES/BENDS INDEX (G)

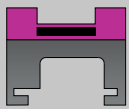
G00008

HEAVY DUTY K325/K330 CORNER TRACKS / CURVES / BENDS MAGNETIC

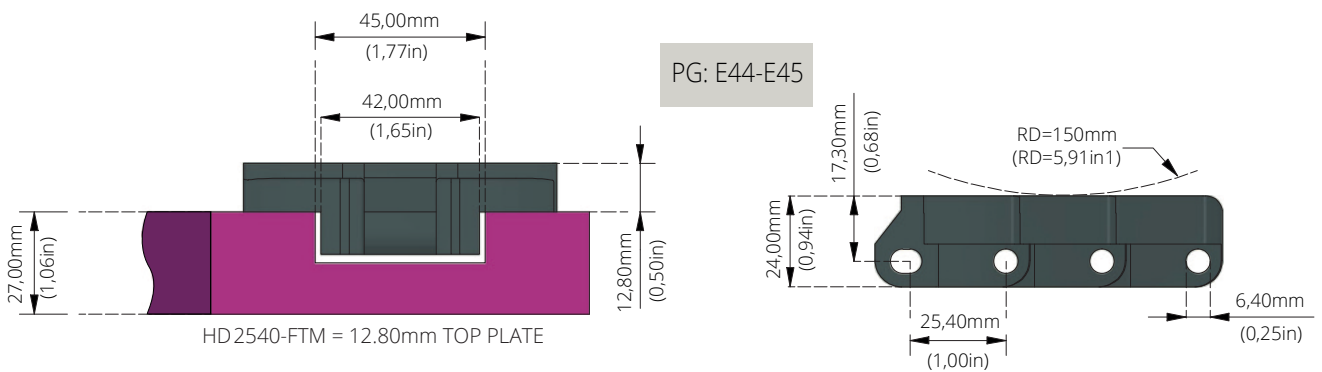


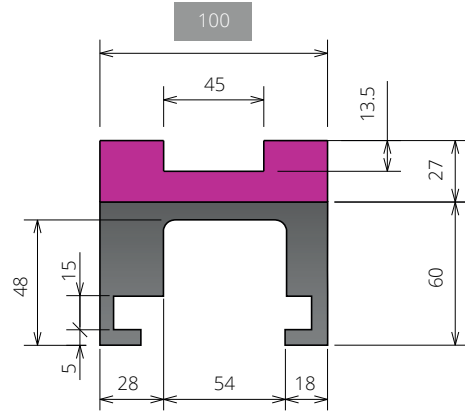
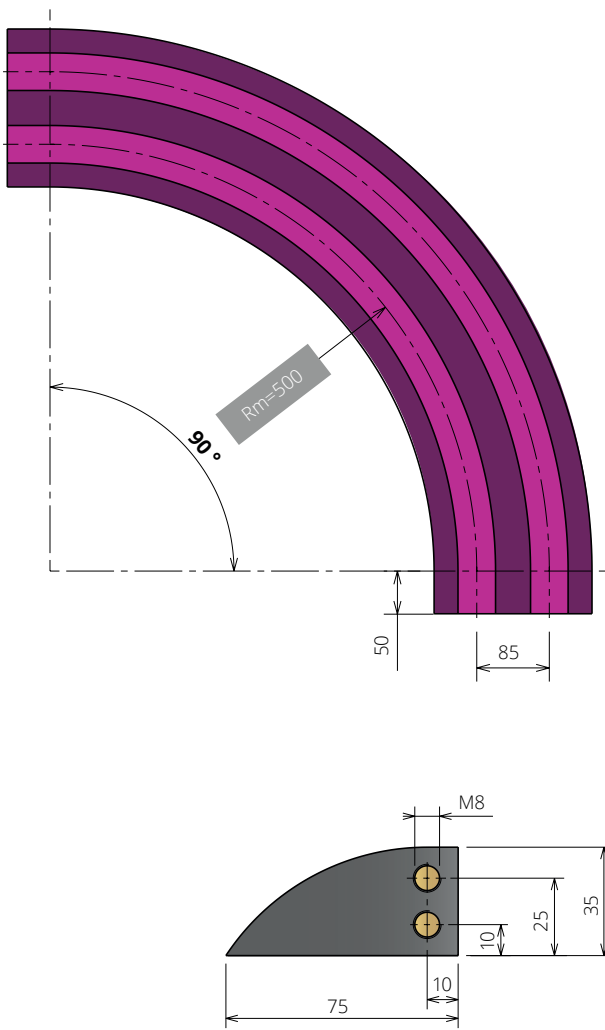
MAGNETIC

The magnetic corner track is the most effective and reliable system for the table top conveyor design.



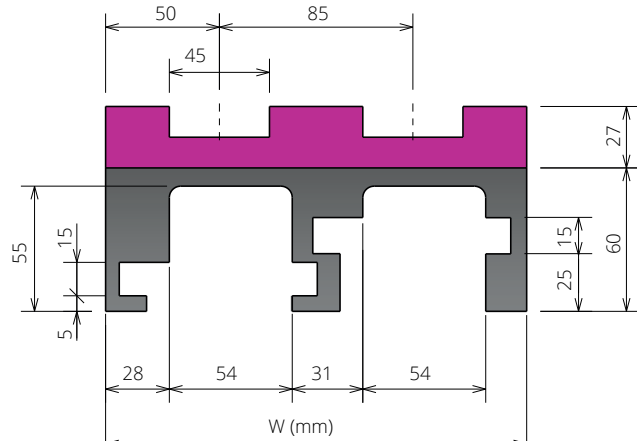
The magnets are carefully selected and positioned to provide the correct magnetic field to hold the chain on the corner track and this provides a flat carrying surface for the chain; thus, improving product stability and support for the product.





SINGLE TRACK - G00008-α6-T2-B1-Rm1-P1-L1

TRACKS	W
1	100
2	185
3	270
4	355
5	440
6	525
7	610
8	695



MULTI TRACK - G00008-α6-T2-B1-Rm1-P1-L1

Rm = 500mm - MULTI TRACK - 50mm LEAD IN / LEAD OUT

α 15°		α 30°		α 45°	
CODE	DESCRIPTION	CODE	DESCRIPTION	CODE	DESCRIPTION
G00008-a1-T1-B1-Rm1-P0-L1	15°-1T-100w-500CL-50L-MAG	G00008-a2-T1-B1-Rm1-P0-L1	30°-1T-100w-500CL-50L-MAG	G00008-a3-T1-B1-Rm1-P0-L1	45°-1T-100w-500CL-50L-MAG
G00008-a1-T2-B1-Rm1-P1-L1	15°-2T-100w-500CL-P85-50L-MAG	G00008-a2-T2-B1-Rm1-P1-L1	30°-2T-100w-500CL-P85-50L-MAG	G00008-a3-T2-B1-Rm1-P1-L1	45°-2T-100w-500CL-P85-50L-MAG
G00008-a1-T3-B1-Rm1-P1-L1	15°-3T-100w-500CL-P85-50L-MAG	G00008-a2-T3-B1-Rm1-P1-L1	30°-3T-100w-500CL-P85-50L-MAG	G00008-a3-T3-B1-Rm1-P1-L1	45°-3T-100w-500CL-P85-50L-MAG
G00008-a1-T4-B1-Rm1-P1-L1	15°-4T-100w-500CL-P85-50L-MAG	G00008-a2-T4-B1-Rm1-P1-L1	30°-4T-100w-500CL-P85-50L-MAG	G00008-a3-T4-B1-Rm1-P1-L1	45°-4T-100w-500CL-P85-50L-MAG
G00008-a1-T5-B1-Rm1-P1-L1	15°-5T-100w-500CL-P85-50L-MAG	G00008-a2-T5-B1-Rm1-P1-L1	30°-5T-100w-500CL-P85-50L-MAG	G00008-a3-T5-B1-Rm1-P1-L1	45°-5T-100w-500CL-P85-50L-MAG
G00008-a1-T6-B1-Rm1-P1-L1	15°-6T-100w-500CL-P85-50L-MAG	G00008-a2-T6-B1-Rm1-P1-L1	30°-6T-100w-500CL-P85-50L-MAG	G00008-a3-T6-B1-Rm1-P1-L1	45°-6T-100w-500CL-P85-50L-MAG
G00008-a1-T7-B1-Rm1-P1-L1	15°-7T-100w-500CL-P85-50L-MAG	G00008-a2-T7-B1-Rm1-P1-L1	30°-7T-100w-500CL-P85-50L-MAG	G00008-a3-T7-B1-Rm1-P1-L1	45°-7T-100w-500CL-P85-50L-MAG
G00008-a1-T8-B1-Rm1-P1-L1	15°-8T-100w-500CL-P85-50L-MAG	G00008-a2-T8-B1-Rm1-P1-L1	30°-8T-100w-500CL-P85-50L-MAG	G00008-a3-T8-B1-Rm1-P1-L1	45°-8T-100w-500CL-P85-50L-MAG
α 60°		α 75°		α 90°	
CODE	DESCRIPTION	CODE	DESCRIPTION	CODE	DESCRIPTION
G00008-a4-T1-B1-Rm1-P1-L1	60°-1T-100w-500CL-50L-MAG	G00008-a5-T1-B1-Rm1-P0-L1	75°-1T-100w-500CL-50L-MAG	G00008-a6-T1-B1-Rm1-P0-L1	90°-1T-100w-500CL-50L-MAG
G00008-a4-T2-B1-Rm1-P1-L1	60°-2T-100w-500CL-P85-50L-MAG	G00008-a5-T2-B1-Rm1-P1-L1	75°-2T-100w-500CL-P85-50L-MAG	G00008-a6-T2-B1-Rm1-P1-L1	90°-2T-100w-500CL-P85-50L-MAG
G00008-a4-T3-B1-Rm1-P1-L1	60°-3T-100w-500CL-P85-50L-MAG	G00008-a5-T3-B1-Rm1-P1-L1	75°-3T-100w-500CL-P85-50L-MAG	G00008-a6-T3-B1-Rm1-P1-L1	90°-3T-100w-500CL-P85-50L-MAG
G00008-a4-T4-B1-Rm1-P1-L1	60°-4T-100w-500CL-P85-50L-MAG	G00008-a5-T4-B1-Rm1-P1-L1	75°-4T-100w-500CL-P85-50L-MAG	G00008-a6-T4-B1-Rm1-P1-L1	90°-4T-100w-500CL-P85-50L-MAG
G00008-a4-T5-B1-Rm1-P1-L1	60°-5T-100w-500CL-P85-50L-MAG	G00008-a5-T5-B1-Rm1-P1-L1	75°-5T-100w-500CL-P85-50L-MAG	G00008-a6-T5-B1-Rm1-P1-L1	90°-5T-100w-500CL-P85-50L-MAG
G00008-a4-T6-B1-Rm1-P1-L1	60°-6T-100w-500CL-P85-50L-MAG	G00008-a5-T6-B1-Rm1-P1-L1	75°-6T-100w-500CL-P85-50L-MAG	G00008-a6-T6-B1-Rm1-P1-L1	90°-6T-100w-500CL-P85-50L-MAG
G00008-a4-T7-B1-Rm1-P1-L1	60°-7T-100w-500CL-P85-50L-MAG	G00008-a5-T7-B1-Rm1-P1-L1	75°-7T-100w-500CL-P85-50L-MAG	G00008-a6-T7-B1-Rm1-P1-L1	90°-7T-100w-500CL-P85-50L-MAG
G00008-a4-T8-B1-Rm1-P1-L1	60°-8T-100w-500CL-P85-50L-MAG	G00008-a5-T8-B1-Rm1-P1-L1	75°-8T-100w-500CL-P85-50L-MAG	G00008-a6-T8-B1-Rm1-P1-L1	90°-8T-100w-500CL-P85-50L-MAG

NON STANDARD SIZES ARE AVAILABLE ON REQUEST | STANDARD ORDER QTY: PER SET



CHAINS/BELTS
PG. E44 - E45



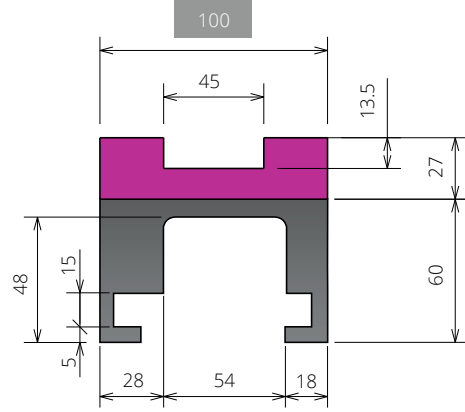
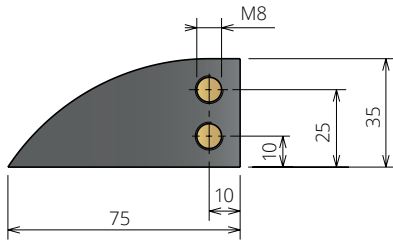
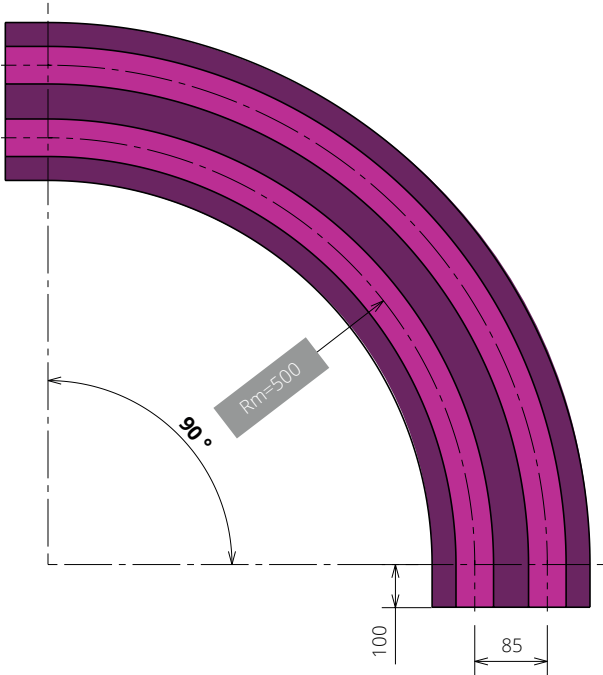
MATERIALS



TABLE OF
CONTENTS

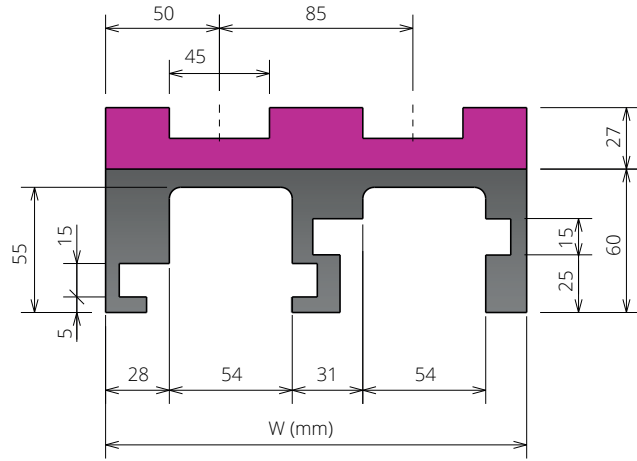


BACK TO CORNER TRACKS/
CURVES/BENDS INDEX (G)



SINGLE TRACK - G00008-a6-T2-B1-Rm1-P1-L2

TRACKS	W
1	100
2	185
3	270
4	355
5	440
6	525
7	610
8	695



MULTI TRACK - G00008-a6-T2-B1-Rm1-P1-L2

Rm = 500mm - MULTI TRACK - 100mm LEAD IN / LEAD OUT

$\alpha 15^\circ$		$\alpha 30^\circ$		$\alpha 45^\circ$	
CODE	DESCRIPTION	CODE	DESCRIPTION	CODE	DESCRIPTION
G00008-a1-T1-B1-Rm1-P0-L2	15°-1T-100w-500CL-100L-MAG	G00008-a2-T1-B1-Rm1-P0-L2	30°-1T-100w-500CL-100L-MAG	G00008-a3-T1-B1-Rm1-P0-L2	45°-1T-100w-500CL-100L-MAG
G00008-a1-T2-B1-Rm1-P1-L2	15°-2T-100w-500CL-P85-100L-MAG	G00008-a2-T2-B1-Rm1-P1-L2	30°-2T-100w-500CL-P85-100L-MAG	G00008-a3-T2-B1-Rm1-P1-L2	45°-2T-100w-500CL-P85-100L-MAG
G00008-a1-T3-B1-Rm1-P1-L2	15°-3T-100w-500CL-P85-100L-MAG	G00008-a2-T3-B1-Rm1-P1-L2	30°-3T-100w-500CL-P85-100L-MAG	G00008-a3-T3-B1-Rm1-P1-L2	45°-3T-100w-500CL-P85-100L-MAG
G00008-a1-T4-B1-Rm1-P1-L2	15°-4T-100w-500CL-P85-100L-MAG	G00008-a2-T4-B1-Rm1-P1-L2	30°-4T-100w-500CL-P85-100L-MAG	G00008-a3-T4-B1-Rm1-P1-L2	45°-4T-100w-500CL-P85-100L-MAG
G00008-a1-T5-B1-Rm1-P1-L2	15°-5T-100w-500CL-P85-100L-MAG	G00008-a2-T5-B1-Rm1-P1-L2	30°-5T-100w-500CL-P85-100L-MAG	G00008-a3-T5-B1-Rm1-P1-L2	45°-5T-100w-500CL-P85-100L-MAG
G00008-a1-T6-B1-Rm1-P1-L2	15°-6T-100w-500CL-P85-100L-MAG	G00008-a2-T6-B1-Rm1-P1-L2	30°-6T-100w-500CL-P85-100L-MAG	G00008-a3-T6-B1-Rm1-P1-L2	45°-6T-100w-500CL-P85-100L-MAG
G00008-a1-T7-B1-Rm1-P1-L2	15°-7T-100w-500CL-P85-100L-MAG	G00008-a2-T7-B1-Rm1-P1-L2	30°-7T-100w-500CL-P85-100L-MAG	G00008-a3-T7-B1-Rm1-P1-L2	45°-7T-100w-500CL-P85-100L-MAG
G00008-a1-T8-B1-Rm1-P1-L2	15°-8T-100w-500CL-P85-100L-MAG	G00008-a2-T8-B1-Rm1-P1-L2	30°-8T-100w-500CL-P85-100L-MAG	G00008-a3-T8-B1-Rm1-P1-L2	45°-8T-100w-500CL-P85-100L-MAG
$\alpha 60^\circ$		$\alpha 75^\circ$		$\alpha 90^\circ$	
CODE	DESCRIPTION	CODE	DESCRIPTION	CODE	DESCRIPTION
G00008-a4-T1-B1-Rm1-P0-L2	60°-1T-100w-500CL-100L-MAG	G00008-a5-T1-B1-Rm1-P0-L2	75°-1T-100w-500CL-100L-MAG	G00008-a6-T1-B1-Rm1-P0-L2	90°-1T-100w-500CL-100L-MAG
G00008-a4-T2-B1-Rm1-P1-L2	60°-2T-100w-500CL-P85-100L-MAG	G00008-a5-T2-B1-Rm1-P1-L2	75°-2T-100w-500CL-P85-100L-MAG	G00008-a6-T2-B1-Rm1-P1-L2	90°-2T-100w-500CL-P85-100L-MAG
G00008-a4-T3-B1-Rm1-P1-L2	60°-3T-100w-500CL-P85-100L-MAG	G00008-a5-T3-B1-Rm1-P1-L2	75°-3T-100w-500CL-P85-100L-MAG	G00008-a6-T3-B1-Rm1-P1-L2	90°-3T-100w-500CL-P85-100L-MAG
G00008-a4-T4-B1-Rm1-P1-L2	60°-4T-100w-500CL-P85-100L-MAG	G00008-a5-T4-B1-Rm1-P1-L2	75°-4T-100w-500CL-P85-100L-MAG	G00008-a6-T4-B1-Rm1-P1-L2	90°-4T-100w-500CL-P85-100L-MAG
G00008-a4-T5-B1-Rm1-P1-L2	60°-5T-100w-500CL-P85-100L-MAG	G00008-a5-T5-B1-Rm1-P1-L2	75°-5T-100w-500CL-P85-100L-MAG	G00008-a6-T5-B1-Rm1-P1-L2	90°-5T-100w-500CL-P85-100L-MAG
G00008-a4-T6-B1-Rm1-P1-L2	60°-6T-100w-500CL-P85-100L-MAG	G00008-a5-T6-B1-Rm1-P1-L2	75°-6T-100w-500CL-P85-100L-MAG	G00008-a6-T6-B1-Rm1-P1-L2	90°-6T-100w-500CL-P85-100L-MAG
G00008-a4-T7-B1-Rm1-P1-L2	60°-7T-100w-500CL-P85-100L-MAG	G00008-a5-T7-B1-Rm1-P1-L2	75°-7T-100w-500CL-P85-100L-MAG	G00008-a6-T7-B1-Rm1-P1-L2	90°-7T-100w-500CL-P85-100L-MAG
G00008-a4-T8-B1-Rm1-P1-L2	60°-8T-100w-500CL-P85-100L-MAG	G00008-a5-T8-B1-Rm1-P1-L2	75°-8T-100w-500CL-P85-100L-MAG	G00008-a6-T8-B1-Rm1-P1-L2	90°-8T-100w-500CL-P85-100L-MAG

NON STANDARD SIZES ARE AVAILABLE ON REQUEST | STANDARD ORDER QTY: PER SET



CHAINS/BELTS
PG. E44 - E45



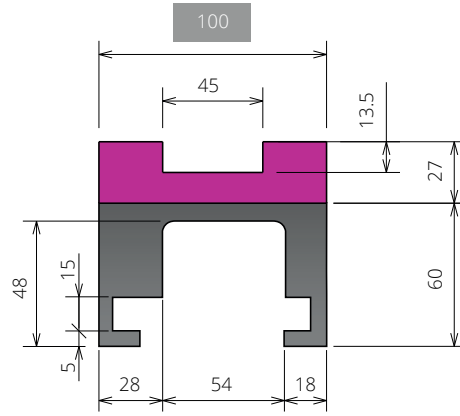
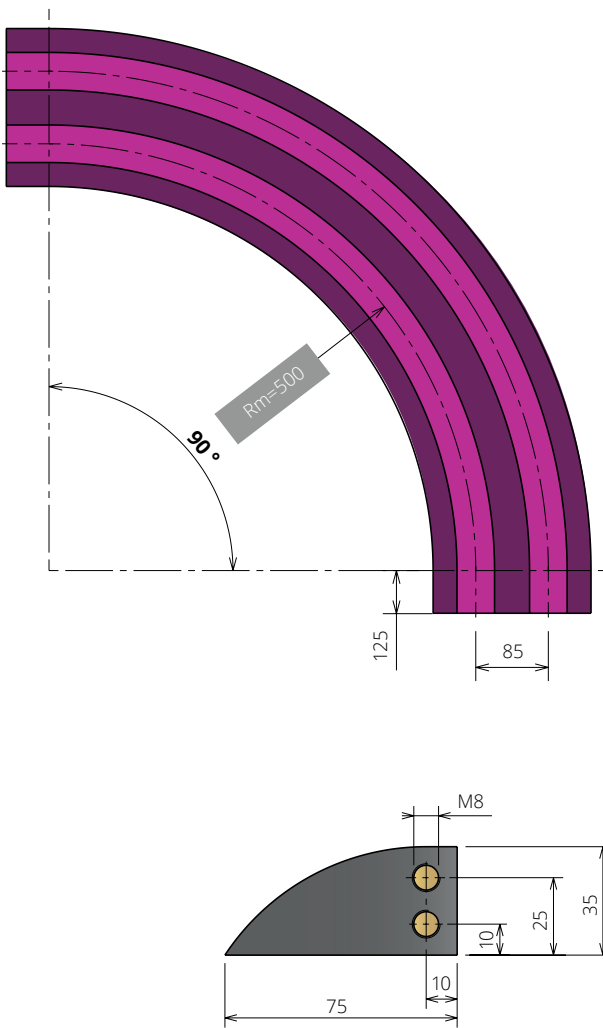
MATERIALS



TABLE OF
CONTENTS

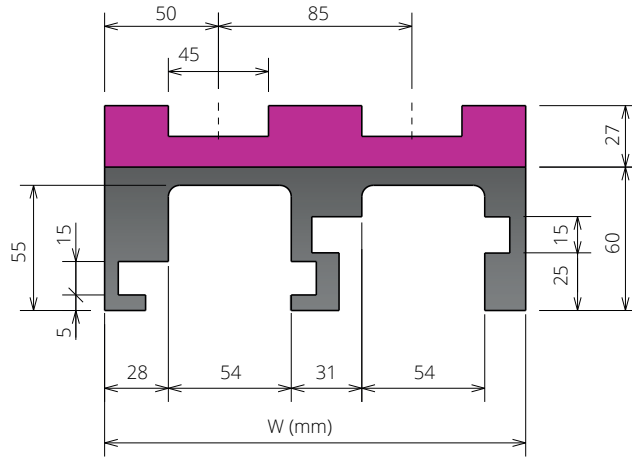


BACK TO CORNER TRACKS/
CURVES/BENDS INDEX (G)



SINGLE TRACK - G00008-α6-T2-B1-Rm1-P1-L3

TRACKS	W
1	100
2	185
3	270
4	355
5	440
6	525
7	610
8	695

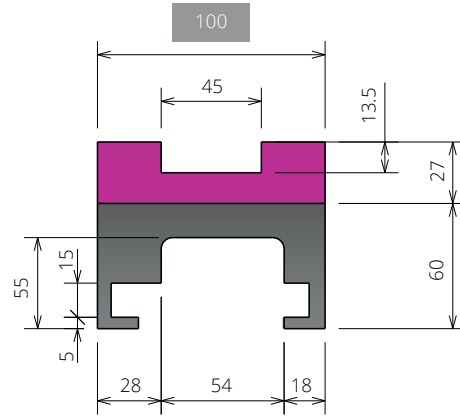
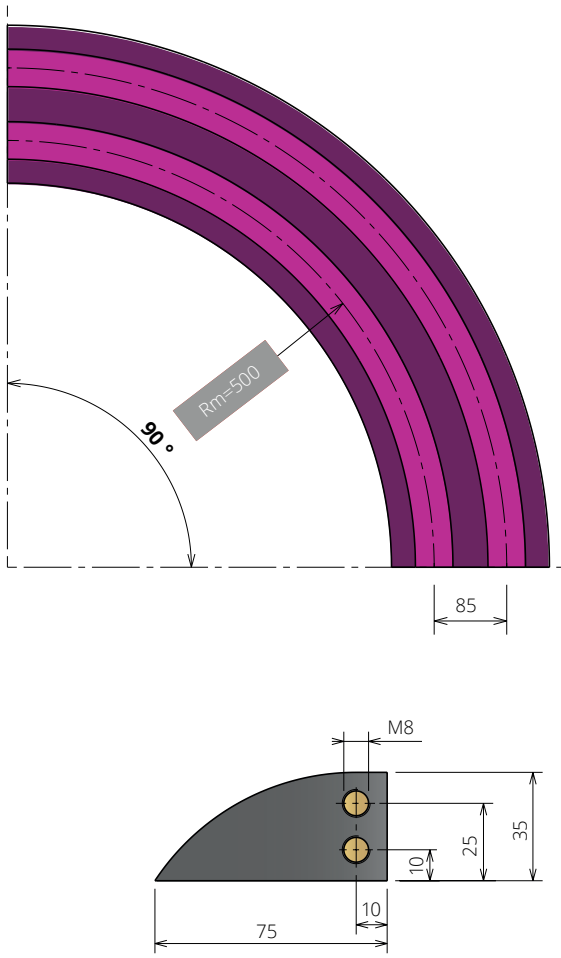


MULTI TRACK - G00008-α6-T2-B1-Rm1-P1-L3

Rm = 500mm - MULTI TRACK - 125mm LEAD IN / LEAD OUT

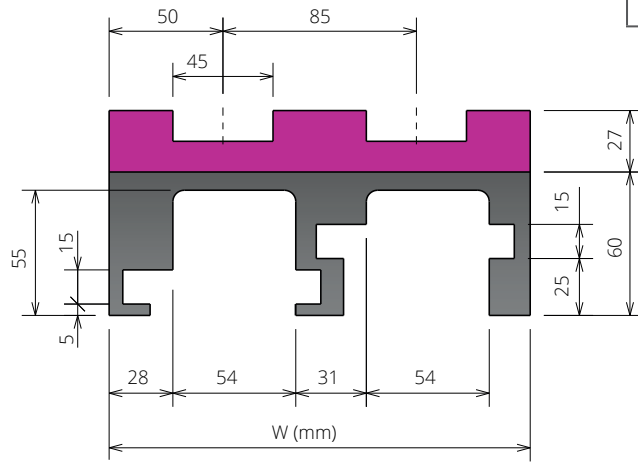
α 15°		α 30°		α 45°	
CODE	DESCRIPTION	CODE	DESCRIPTION	CODE	DESCRIPTION
G00008-α1-T1-B1-Rm1-P0-L3	15°-1T-100w-500CL-125L-MAG	G00008-α2-T1-B1-Rm1-P0-L3	30°-1T-100w-500CL-125L-MAG	G00008-α3-T1-B1-Rm1-P0-L3	45°-1T-100w-500CL-125L-MAG
G00008-α1-T2-B1-Rm1-P1-L3	15°-2T-100w-500CL-P85-125L-MAG	G00008-α2-T2-B1-Rm1-P1-L3	30°-2T-100w-500CL-P85-125L-MAG	G00008-α3-T2-B1-Rm1-P1-L3	45°-2T-100w-500CL-P85-125L-MAG
G00008-α1-T3-B1-Rm1-P1-L3	15°-3T-100w-500CL-P85-125L-MAG	G00008-α2-T3-B1-Rm1-P1-L3	30°-3T-100w-500CL-P85-125L-MAG	G00008-α3-T3-B1-Rm1-P1-L3	45°-3T-100w-500CL-P85-125L-MAG
G00008-α1-T4-B1-Rm1-P1-L3	15°-4T-100w-500CL-P85-125L-MAG	G00008-α2-T4-B1-Rm1-P1-L3	30°-4T-100w-500CL-P85-125L-MAG	G00008-α3-T4-B1-Rm1-P1-L3	45°-4T-100w-500CL-P85-125L-MAG
G00008-α1-T5-B1-Rm1-P1-L3	15°-5T-100w-500CL-P85-125L-MAG	G00008-α2-T5-B1-Rm1-P1-L3	30°-5T-100w-500CL-P85-125L-MAG	G00008-α3-T5-B1-Rm1-P1-L3	45°-5T-100w-500CL-P85-125L-MAG
G00008-α1-T6-B1-Rm1-P1-L3	15°-6T-100w-500CL-P85-125L-MAG	G00008-α2-T6-B1-Rm1-P1-L3	30°-6T-100w-500CL-P85-125L-MAG	G00008-α3-T6-B1-Rm1-P1-L3	45°-6T-100w-500CL-P85-125L-MAG
G00008-α1-T7-B1-Rm1-P1-L3	15°-7T-100w-500CL-P85-125L-MAG	G00008-α2-T7-B1-Rm1-P1-L3	30°-7T-100w-500CL-P85-125L-MAG	G00008-α3-T7-B1-Rm1-P1-L3	45°-7T-100w-500CL-P85-125L-MAG
G00008-α1-T8-B1-Rm1-P1-L3	15°-8T-100w-500CL-P85-125L-MAG	G00008-α2-T8-B1-Rm1-P1-L3	30°-8T-100w-500CL-P85-125L-MAG	G00008-α3-T8-B1-Rm1-P1-L3	45°-8T-100w-500CL-P85-125L-MAG
α 60°		α 75°		α 90°	
CODE	DESCRIPTION	CODE	DESCRIPTION	CODE	DESCRIPTION
G00008-α4-T1-B1-Rm1-P0-L3	60°-1T-100w-500CL-125L-MAG	G00008-α5-T1-B1-Rm1-P0-L3	75°-1T-100w-500CL-125L-MAG	G00008-α6-T1-B1-Rm1-P0-L3	90°-1T-100w-500CL-125L-MAG
G00008-α4-T2-B1-Rm1-P1-L3	60°-2T-100w-500CL-P85-125L-MAG	G00008-α5-T2-B1-Rm1-P1-L3	75°-2T-100w-500CL-P85-125L-MAG	G00008-α6-T2-B1-Rm1-P1-L3	90°-2T-100w-500CL-P85-125L-MAG
G00008-α4-T3-B1-Rm1-P1-L3	60°-3T-100w-500CL-P85-125L-MAG	G00008-α5-T3-B1-Rm1-P1-L3	75°-3T-100w-500CL-P85-125L-MAG	G00008-α6-T3-B1-Rm1-P1-L3	90°-3T-100w-500CL-P85-125L-MAG
G00008-α4-T4-B1-Rm1-P1-L3	60°-4T-100w-500CL-P85-125L-MAG	G00008-α5-T4-B1-Rm1-P1-L3	75°-4T-100w-500CL-P85-125L-MAG	G00008-α6-T4-B1-Rm1-P1-L3	90°-4T-100w-500CL-P85-125L-MAG
G00008-α4-T5-B1-Rm1-P1-L3	60°-5T-100w-500CL-P85-125L-MAG	G00008-α5-T5-B1-Rm1-P1-L3	75°-5T-100w-500CL-P85-125L-MAG	G00008-α6-T5-B1-Rm1-P1-L3	90°-5T-100w-500CL-P85-125L-MAG
G00008-α4-T6-B1-Rm1-P1-L3	60°-6T-100w-500CL-P85-125L-MAG	G00008-α5-T6-B1-Rm1-P1-L3	75°-6T-100w-500CL-P85-125L-MAG	G00008-α6-T6-B1-Rm1-P1-L3	90°-6T-100w-500CL-P85-125L-MAG
G00008-α4-T7-B1-Rm1-P1-L3	60°-7T-100w-500CL-P85-125L-MAG	G00008-α5-T7-B1-Rm1-P1-L3	75°-7T-100w-500CL-P85-125L-MAG	G00008-α6-T7-B1-Rm1-P1-L3	90°-7T-100w-500CL-P85-125L-MAG
G00008-α4-T8-B1-Rm1-P1-L3	60°-8T-100w-500CL-P85-125L-MAG	G00008-α5-T8-B1-Rm1-P1-L3	75°-8T-100w-500CL-P85-125L-MAG	G00008-α6-T8-B1-Rm1-P1-L3	90°-8T-100w-500CL-P85-125L-MAG

NON STANDARD SIZES ARE AVAILABLE ON REQUEST | STANDARD ORDER QTY: PER SET



SINGLE TRACK - G00008-a6-T2-B1-Rm1-P1-L0

TRACKS	W
1	100
2	185
3	270
4	355
5	440
6	525
7	610
8	695



MULTI TRACK - G00008-a6-T2-B1-Rm1-P1-L0

Rm = 500mm - MULTI TRACK - NO LEAD IN / LEAD OUT

$\alpha 15^\circ$		$\alpha 30^\circ$		$\alpha 45^\circ$	
CODE	DESCRIPTION	CODE	DESCRIPTION	CODE	DESCRIPTION
G00008-a1-T1-B1-Rm1-P0-L0	15°-1T-100w-500CL-0L-MAG	G00008-a2-T1-B1-Rm1-P0-L0	30°-1T-100w-500CL-0L-MAG	G00008-a3-T1-B1-Rm1-P0-L0	45°-1T-100w-500CL-0L-MAG
G00008-a1-T2-B1-Rm1-P1-L0	15°-2T-100w-500CL-P85-0L-MAG	G00008-a2-T2-B1-Rm1-P1-L0	30°-2T-100w-500CL-P85-0L-MAG	G00008-a3-T2-B1-Rm1-P1-L0	45°-2T-100w-500CL-P85-0L-MAG
G00008-a1-T3-B1-Rm1-P1-L0	15°-3T-100w-500CL-P85-0L-MAG	G00008-a2-T3-B1-Rm1-P1-L0	30°-3T-100w-500CL-P85-0L-MAG	G00008-a3-T3-B1-Rm1-P1-L0	45°-3T-100w-500CL-P85-0L-MAG
G00008-a1-T4-B1-Rm1-P1-L0	15°-4T-100w-500CL-P85-0L-MAG	G00008-a2-T4-B1-Rm1-P1-L0	30°-4T-100w-500CL-P85-0L-MAG	G00008-a3-T4-B1-Rm1-P1-L0	45°-4T-100w-500CL-P85-0L-MAG
G00008-a1-T5-B1-Rm1-P1-L0	15°-5T-100w-500CL-P85-0L-MAG	G00008-a2-T5-B1-Rm1-P1-L0	30°-5T-100w-500CL-P85-0L-MAG	G00008-a3-T5-B1-Rm1-P1-L0	45°-5T-100w-500CL-P85-0L-MAG
G00008-a1-T6-B1-Rm1-P1-L0	15°-6T-100w-500CL-P85-0L-MAG	G00008-a2-T6-B1-Rm1-P1-L0	30°-6T-100w-500CL-P85-0L-MAG	G00008-a3-T6-B1-Rm1-P1-L0	45°-6T-100w-500CL-P85-0L-MAG
G00008-a1-T7-B1-Rm1-P1-L0	15°-7T-100w-500CL-P85-0L-MAG	G00008-a2-T7-B1-Rm1-P1-L0	30°-7T-100w-500CL-P85-0L-MAG	G00008-a3-T7-B1-Rm1-P1-L0	45°-7T-100w-500CL-P85-0L-MAG
G00008-a1-T8-B1-Rm1-P1-L0	15°-8T-100w-500CL-P85-0L-MAG	G00008-a2-T8-B1-Rm1-P1-L0	30°-8T-100w-500CL-P85-0L-MAG	G00008-a3-T8-B1-Rm1-P1-L0	45°-8T-100w-500CL-P85-0L-MAG
$\alpha 60^\circ$		$\alpha 75^\circ$		$\alpha 90^\circ$	
CODE	DESCRIPTION	CODE	DESCRIPTION	CODE	DESCRIPTION
G00008-a4-T1-B1-Rm1-P0-L0	60°-1T-100w-500CL-0L-MAG	G00008-a5-T1-B1-Rm1-P0-L0	75°-1T-100w-500CL-0L-MAG	G00008-a6-T1-B1-Rm1-P0-L0	90°-1T-100w-500CL-0L-MAG
G00008-a4-T2-B1-Rm1-P1-L0	60°-2T-100w-500CL-P85-0L-MAG	G00008-a5-T2-B1-Rm1-P1-L0	75°-2T-100w-500CL-P85-0L-MAG	G00008-a6-T2-B1-Rm1-P1-L0	90°-2T-100w-500CL-P85-0L-MAG
G00008-a4-T3-B1-Rm1-P1-L0	60°-3T-100w-500CL-P85-0L-MAG	G00008-a5-T3-B1-Rm1-P1-L0	75°-3T-100w-500CL-P85-0L-MAG	G00008-a6-T3-B1-Rm1-P1-L0	90°-3T-100w-500CL-P85-0L-MAG
G00008-a4-T4-B1-Rm1-P1-L0	60°-4T-100w-500CL-P85-0L-MAG	G00008-a5-T4-B1-Rm1-P1-L0	75°-4T-100w-500CL-P85-0L-MAG	G00008-a6-T4-B1-Rm1-P1-L0	90°-4T-100w-500CL-P85-0L-MAG
G00008-a4-T5-B1-Rm1-P1-L0	60°-5T-100w-500CL-P85-0L-MAG	G00008-a5-T5-B1-Rm1-P1-L0	75°-5T-100w-500CL-P85-0L-MAG	G00008-a6-T5-B1-Rm1-P1-L0	90°-5T-100w-500CL-P85-0L-MAG
G00008-a4-T6-B1-Rm1-P1-L0	60°-6T-100w-500CL-P85-0L-MAG	G00008-a5-T6-B1-Rm1-P1-L0	75°-6T-100w-500CL-P85-0L-MAG	G00008-a6-T6-B1-Rm1-P1-L0	90°-6T-100w-500CL-P85-0L-MAG
G00008-a4-T7-B1-Rm1-P1-L0	60°-7T-100w-500CL-P85-0L-MAG	G00008-a5-T7-B1-Rm1-P1-L0	75°-7T-100w-500CL-P85-0L-MAG	G00008-a6-T7-B1-Rm1-P1-L0	90°-7T-100w-500CL-P85-0L-MAG
G00008-a4-T8-B1-Rm1-P1-L0	60°-8T-100w-500CL-P85-0L-MAG	G00008-a5-T8-B1-Rm1-P1-L0	75°-8T-100w-500CL-P85-0L-MAG	G00008-a6-T8-B1-Rm1-P1-L0	90°-8T-100w-500CL-P85-0L-MAG

NON STANDARD SIZES ARE AVAILABLE ON REQUEST | STANDARD ORDER QTY: PER SET



CHAINS/BELTS
PG. E44 - E45



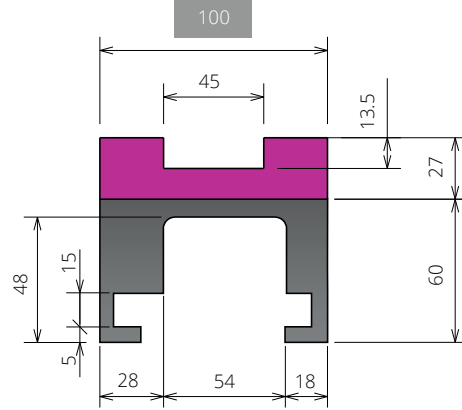
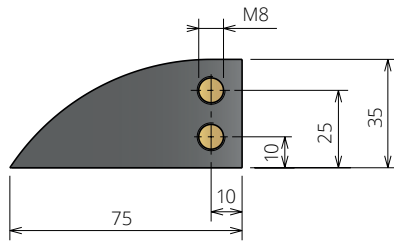
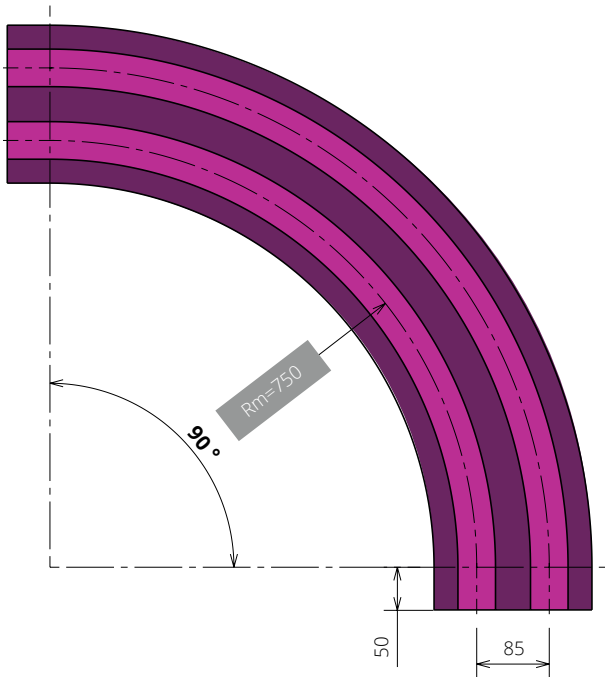
MATERIALS



TABLE OF
CONTENTS

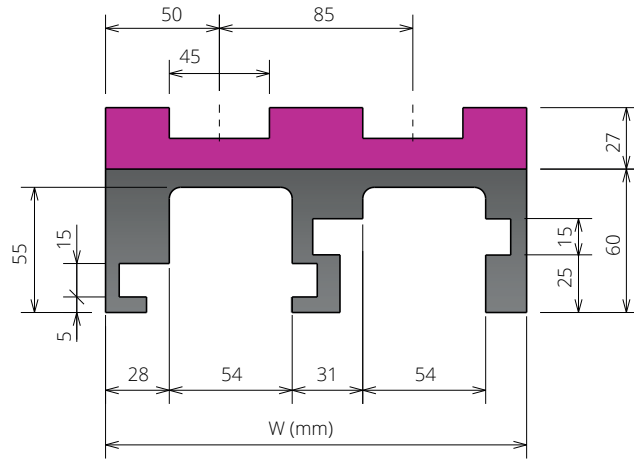


BACK TO CORNER TRACKS/
CURVES/BENDS INDEX (G)



SINGLE TRACK - G00008-a6-T2-B1-Rm4-P1-L1

TRACKS	W
1	100
2	185
3	270
4	355
5	440
6	525
7	610
8	695



MULTI TRACK - G00008-a6-T2-B1-Rm4-P1-L1

Rm = 750mm - MULTI TRACK - 50mm LEAD IN / LEAD OUT

α 15°		α 30°		α 45°	
CODE	DESCRIPTION	CODE	DESCRIPTION	CODE	DESCRIPTION
G00008-a1-T1-B1-Rm4-P0-L1	15°-1T-100w-750CL-50L-MAG	G00008-a2-T1-B1-Rm4-P0-L1	30°-1T-100w-750CL-50L-MAG	G00008-a3-T1-B1-Rm4-P0-L1	45°-1T-100w-750CL-50L-MAG
G00008-a1-T2-B1-Rm4-P1-L1	15°-2T-100w-750CL-P85-50L-MAG	G00008-a2-T2-B1-Rm4-P1-L1	30°-2T-100w-750CL-P85-50L-MAG	G00008-a3-T2-B1-Rm4-P1-L1	45°-2T-100w-750CL-P85-50L-MAG
G00008-a1-T3-B1-Rm4-P1-L1	15°-3T-100w-750CL-P85-50L-MAG	G00008-a2-T3-B1-Rm4-P1-L1	30°-3T-100w-750CL-P85-50L-MAG	G00008-a3-T3-B1-Rm4-P1-L1	45°-3T-100w-750CL-P85-50L-MAG
G00008-a1-T4-B1-Rm4-P1-L1	15°-4T-100w-750CL-P85-50L-MAG	G00008-a2-T4-B1-Rm4-P1-L1	30°-4T-100w-750CL-P85-50L-MAG	G00008-a3-T4-B1-Rm4-P1-L1	45°-4T-100w-750CL-P85-50L-MAG
G00008-a1-T5-B1-Rm4-P1-L1	15°-5T-100w-750CL-P85-50L-MAG	G00008-a2-T5-B1-Rm4-P1-L1	30°-5T-100w-750CL-P85-50L-MAG	G00008-a3-T5-B1-Rm4-P1-L1	45°-5T-100w-750CL-P85-50L-MAG
G00008-a1-T6-B1-Rm4-P1-L1	15°-6T-100w-750CL-P85-50L-MAG	G00008-a2-T6-B1-Rm4-P1-L1	30°-6T-100w-750CL-P85-50L-MAG	G00008-a3-T6-B1-Rm4-P1-L1	45°-6T-100w-750CL-P85-50L-MAG
G00008-a1-T7-B1-Rm4-P1-L1	15°-7T-100w-750CL-P85-50L-MAG	G00008-a2-T7-B1-Rm4-P1-L1	30°-7T-100w-750CL-P85-50L-MAG	G00008-a3-T7-B1-Rm4-P1-L1	45°-7T-100w-750CL-P85-50L-MAG
G00008-a1-T8-B1-Rm4-P1-L1	15°-8T-100w-750CL-P85-50L-MAG	G00008-a2-T8-B1-Rm4-P1-L1	30°-8T-100w-750CL-P85-50L-MAG	G00008-a3-T8-B1-Rm4-P1-L1	45°-8T-100w-750CL-P85-50L-MAG
α 60°		α 75°		α 90°	
CODE	DESCRIPTION	CODE	DESCRIPTION	CODE	DESCRIPTION
G00008-a4-T1-B1-Rm4-P0-L1	60°-1T-100w-750CL-50L-MAG	G00008-a5-T1-B1-Rm4-P0-L1	75°-1T-100w-750CL-50L-MAG	G00008-a6-T1-B1-Rm4-P0-L1	90°-1T-100w-750CL-50L-MAG
G00008-a4-T2-B1-Rm4-P1-L1	60°-2T-100w-750CL-P85-50L-MAG	G00008-a5-T2-B1-Rm4-P1-L1	75°-2T-100w-750CL-P85-50L-MAG	G00008-a6-T2-B1-Rm4-P1-L1	90°-2T-100w-750CL-P85-50L-MAG
G00008-a4-T3-B1-Rm4-P1-L1	60°-3T-100w-750CL-P85-50L-MAG	G00008-a5-T3-B1-Rm4-P1-L1	75°-3T-100w-750CL-P85-50L-MAG	G00008-a6-T3-B1-Rm4-P1-L1	90°-3T-100w-750CL-P85-50L-MAG
G00008-a4-T4-B1-Rm4-P1-L1	60°-4T-100w-750CL-P85-50L-MAG	G00008-a5-T4-B1-Rm4-P1-L1	75°-4T-100w-750CL-P85-50L-MAG	G00008-a6-T4-B1-Rm4-P1-L1	90°-4T-100w-750CL-P85-50L-MAG
G00008-a4-T5-B1-Rm4-P1-L1	60°-5T-100w-750CL-P85-50L-MAG	G00008-a5-T5-B1-Rm4-P1-L1	75°-5T-100w-750CL-P85-50L-MAG	G00008-a6-T5-B1-Rm4-P1-L1	90°-5T-100w-750CL-P85-50L-MAG
G00008-a4-T6-B1-Rm4-P1-L1	60°-6T-100w-750CL-P85-50L-MAG	G00008-a5-T6-B1-Rm4-P1-L1	75°-6T-100w-750CL-P85-50L-MAG	G00008-a6-T6-B1-Rm4-P1-L1	90°-6T-100w-750CL-P85-50L-MAG
G00008-a4-T7-B1-Rm4-P1-L1	60°-7T-100w-750CL-P85-50L-MAG	G00008-a5-T7-B1-Rm4-P1-L1	75°-7T-100w-750CL-P85-50L-MAG	G00008-a6-T7-B1-Rm4-P1-L1	90°-7T-100w-750CL-P85-50L-MAG
G00008-a4-T8-B1-Rm4-P1-L1	60°-8T-100w-750CL-P85-50L-MAG	G00008-a5-T8-B1-Rm4-P1-L1	75°-8T-100w-750CL-P85-50L-MAG	G00008-a6-T8-B1-Rm4-P1-L1	90°-8T-100w-750CL-P85-50L-MAG

NON STANDARD SIZES ARE AVAILABLE ON REQUEST | STANDARD ORDER QTY: PER SET



CHAINS/BELTS
PG. E44 - E45



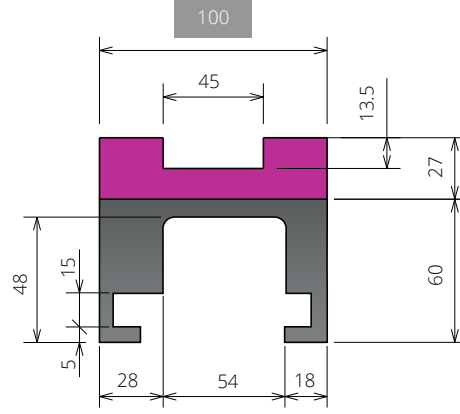
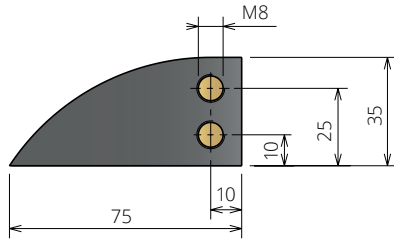
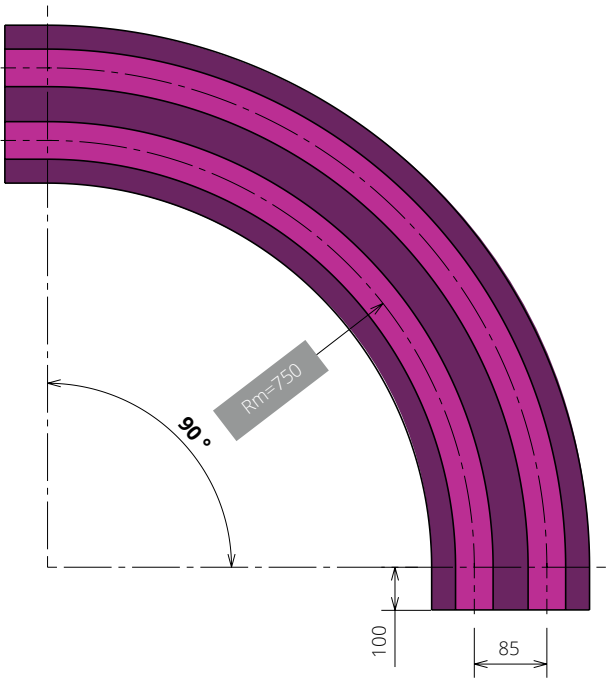
MATERIALS



TABLE OF
CONTENTS

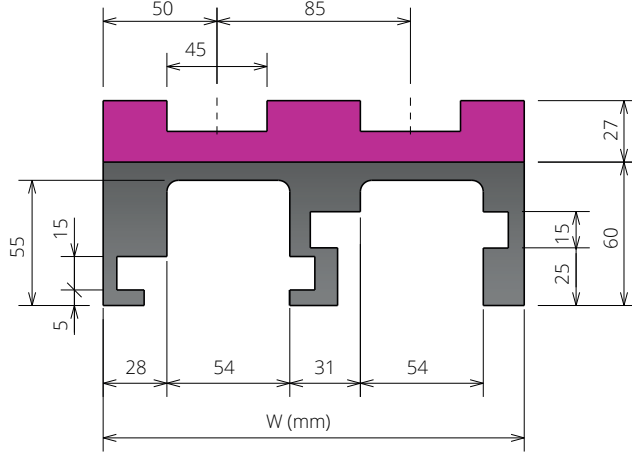


BACK TO CORNER TRACKS/
CURVES/BENDS INDEX (G)



SINGLE TRACK - G00008-α6-T2-B1-Rm4-P1-L2

TRACKS	W
1	100
2	185
3	270
4	355
5	440
6	525
7	610
8	695



MULTI TRACK - G00008-α6-T2-B1-Rm4-P1-L2

Rm = 750mm - MULTI TRACK - 100mm LEAD IN / LEAD OUT

α 15°		α 30°		α 45°	
CODE	DESCRIPTION	CODE	DESCRIPTION	CODE	DESCRIPTION
G00008-α1-T1-B1-Rm4-P0-L2	15°-1T-100w-750CL-100L-MAG	G00008-α2-T1-B1-Rm4-P0-L2	30°-1T-100w-750CL-100L-MAG	G00008-α3-T1-B1-Rm4-P0-L2	45°-1T-100w-750CL-100L-MAG
G00008-α1-T2-B1-Rm4-P1-L2	15°-2T-100w-750CL-P85-100L-MAG	G00008-α2-T2-B1-Rm4-P1-L2	30°-2T-100w-750CL-P85-100L-MAG	G00008-α3-T2-B1-Rm4-P1-L2	45°-2T-100w-750CL-P85-100L-MAG
G00008-α1-T3-B1-Rm4-P1-L2	15°-3T-100w-750CL-P85-100L-MAG	G00008-α2-T3-B1-Rm4-P1-L2	30°-3T-100w-750CL-P85-100L-MAG	G00008-α3-T3-B1-Rm4-P1-L2	45°-3T-100w-750CL-P85-100L-MAG
G00008-α1-T4-B1-Rm4-P1-L2	15°-4T-100w-750CL-P85-100L-MAG	G00008-α2-T4-B1-Rm4-P1-L2	30°-4T-100w-750CL-P85-100L-MAG	G00008-α3-T4-B1-Rm4-P1-L2	45°-4T-100w-750CL-P85-100L-MAG
G00008-α1-T5-B1-Rm4-P1-L2	15°-5T-100w-750CL-P85-100L-MAG	G00008-α2-T5-B1-Rm4-P1-L2	30°-5T-100w-750CL-P85-100L-MAG	G00008-α3-T5-B1-Rm4-P1-L2	45°-5T-100w-750CL-P85-100L-MAG
G00008-α1-T6-B1-Rm4-P1-L2	15°-6T-100w-750CL-P85-100L-MAG	G00008-α2-T6-B1-Rm4-P1-L2	30°-6T-100w-750CL-P85-100L-MAG	G00008-α3-T6-B1-Rm4-P1-L2	45°-6T-100w-750CL-P85-100L-MAG
G00008-α1-T7-B1-Rm4-P1-L2	15°-7T-100w-750CL-P85-100L-MAG	G00008-α2-T7-B1-Rm4-P1-L2	30°-7T-100w-750CL-P85-100L-MAG	G00008-α3-T7-B1-Rm4-P1-L2	45°-7T-100w-750CL-P85-100L-MAG
G00008-α1-T8-B1-Rm4-P1-L2	15°-8T-100w-750CL-P85-100L-MAG	G00008-α2-T8-B1-Rm4-P1-L2	30°-8T-100w-750CL-P85-100L-MAG	G00008-α3-T8-B1-Rm4-P1-L2	45°-8T-100w-750CL-P85-100L-MAG
α 60°		α 75°		α 90°	
CODE	DESCRIPTION	CODE	DESCRIPTION	CODE	DESCRIPTION
G00008-α4-T1-B1-Rm4-P0-L2	60°-1T-100w-750CL-100L-MAG	G00008-α5-T1-B1-Rm4-P0-L2	75°-1T-100w-750CL-100L-MAG	G00008-α6-T1-B1-Rm4-P0-L2	90°-1T-100w-750CL-100L-MAG
G00008-α4-T2-B1-Rm4-P1-L2	60°-2T-100w-750CL-P85-100L-MAG	G00008-α5-T2-B1-Rm4-P1-L2	75°-2T-100w-750CL-P85-100L-MAG	G00008-α6-T2-B1-Rm4-P1-L2	90°-2T-100w-750CL-P85-100L-MAG
G00008-α4-T3-B1-Rm4-P1-L2	60°-3T-100w-750CL-P85-100L-MAG	G00008-α5-T3-B1-Rm4-P1-L2	75°-3T-100w-750CL-P85-100L-MAG	G00008-α6-T3-B1-Rm4-P1-L2	90°-3T-100w-750CL-P85-100L-MAG
G00008-α4-T4-B1-Rm4-P1-L2	60°-4T-100w-750CL-P85-100L-MAG	G00008-α5-T4-B1-Rm4-P1-L2	75°-4T-100w-750CL-P85-100L-MAG	G00008-α6-T4-B1-Rm4-P1-L2	90°-4T-100w-750CL-P85-100L-MAG
G00008-α4-T5-B1-Rm4-P1-L2	60°-5T-100w-750CL-P85-100L-MAG	G00008-α5-T5-B1-Rm4-P1-L2	75°-5T-100w-750CL-P85-100L-MAG	G00008-α6-T5-B1-Rm4-P1-L2	90°-5T-100w-750CL-P85-100L-MAG
G00008-α4-T6-B1-Rm4-P1-L2	60°-6T-100w-750CL-P85-100L-MAG	G00008-α5-T6-B1-Rm4-P1-L2	75°-6T-100w-750CL-P85-100L-MAG	G00008-α6-T6-B1-Rm4-P1-L2	90°-6T-100w-750CL-P85-100L-MAG
G00008-α4-T7-B1-Rm4-P1-L2	60°-7T-100w-750CL-P85-100L-MAG	G00008-α5-T7-B1-Rm4-P1-L2	75°-7T-100w-750CL-P85-100L-MAG	G00008-α6-T7-B1-Rm4-P1-L2	90°-7T-100w-750CL-P85-100L-MAG
G00008-α4-T8-B1-Rm4-P1-L2	60°-8T-100w-750CL-P85-100L-MAG	G00008-α5-T8-B1-Rm4-P1-L2	75°-8T-100w-750CL-P85-100L-MAG	G00008-α6-T8-B1-Rm4-P1-L2	90°-8T-100w-750CL-P85-100L-MAG

NON STANDARD SIZES ARE AVAILABLE ON REQUEST | STANDARD ORDER QTY: PER SET



CHAINS/BELTS
PG. E44 - E45



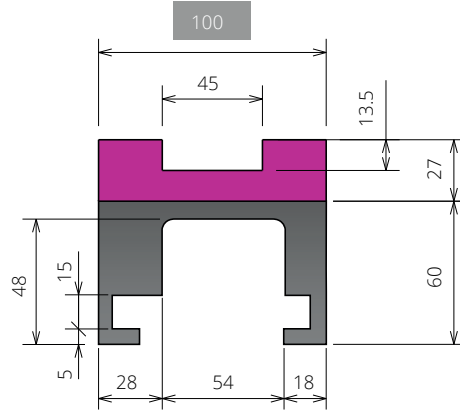
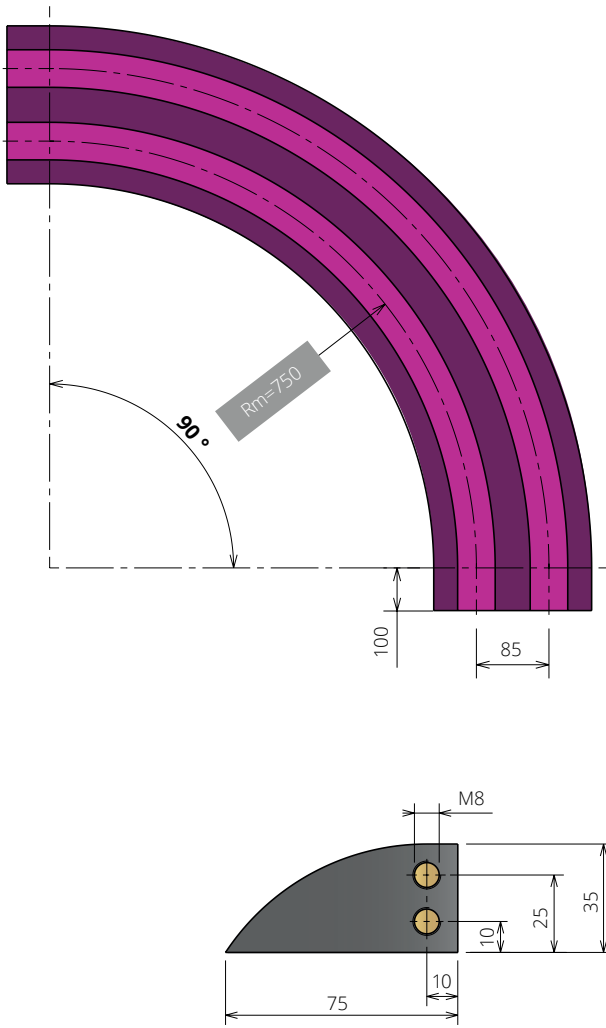
MATERIALS



TABLE OF
CONTENTS

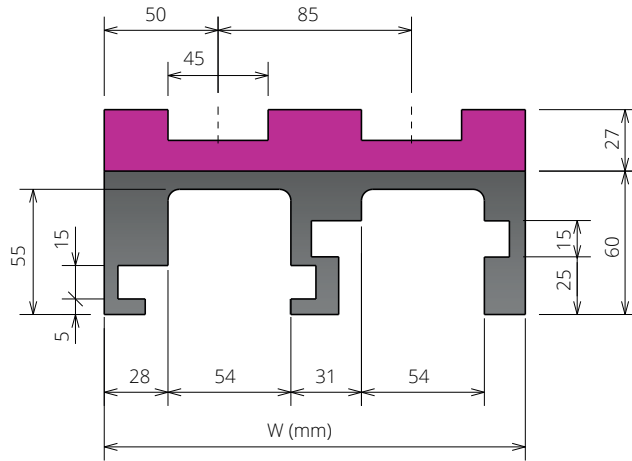


BACK TO CORNER TRACKS/
CURVES/BENDS INDEX (G)



SINGLE TRACK - G00008-a6-T2-B1-Rm4-P1-L3

TRACKS	W
1	100
2	185
3	270
4	355
5	440
6	525
7	610
8	695



MULTI TRACK - G00008-a6-T2-B1-Rm4-P1-L3

Rm = 750mm - MULTI TRACK - 125mm LEAD IN / LEAD OUT

$\alpha 15^\circ$		$\alpha 30^\circ$		$\alpha 45^\circ$	
CODE	DESCRIPTION	CODE	DESCRIPTION	CODE	DESCRIPTION
G00008-a1-T1-B1-Rm4-P0-L3	15°-1T-100w-500CL-125L-MAG	G00008-a2-T1-B1-Rm4-P0-L3	30°-1T-100w-500CL-125L-MAG	G00008-a3-T1-B1-Rm4-P0-L3	45°-1T-100w-500CL-125L-MAG
G00008-a1-T2-B1-Rm4-P1-L3	15°-2T-100w-500CL-P85-125L-MAG	G00008-a2-T2-B1-Rm4-P1-L3	30°-2T-100w-500CL-P85-125L-MAG	G00008-a3-T2-B1-Rm4-P1-L3	45°-2T-100w-500CL-P85-125L-MAG
G00008-a1-T3-B1-Rm4-P1-L3	15°-3T-100w-500CL-P85-125L-MAG	G00008-a2-T3-B1-Rm4-P1-L3	30°-3T-100w-500CL-P85-125L-MAG	G00008-a3-T3-B1-Rm4-P1-L3	45°-3T-100w-500CL-P85-125L-MAG
G00008-a1-T4-B1-Rm4-P1-L3	15°-4T-100w-500CL-P85-125L-MAG	G00008-a2-T4-B1-Rm4-P1-L3	30°-4T-100w-500CL-P85-125L-MAG	G00008-a3-T4-B1-Rm4-P1-L3	45°-4T-100w-500CL-P85-125L-MAG
G00008-a1-T5-B1-Rm4-P1-L3	15°-5T-100w-500CL-P85-125L-MAG	G00008-a2-T5-B1-Rm4-P1-L3	30°-5T-100w-500CL-P85-125L-MAG	G00008-a3-T5-B1-Rm4-P1-L3	45°-5T-100w-500CL-P85-125L-MAG
G00008-a1-T6-B1-Rm4-P1-L3	15°-6T-100w-500CL-P85-125L-MAG	G00008-a2-T6-B1-Rm4-P1-L3	30°-6T-100w-500CL-P85-125L-MAG	G00008-a3-T6-B1-Rm4-P1-L3	45°-6T-100w-500CL-P85-125L-MAG
G00008-a1-T7-B1-Rm4-P1-L3	15°-7T-100w-500CL-P85-125L-MAG	G00008-a2-T7-B1-Rm4-P1-L3	30°-7T-100w-500CL-P85-125L-MAG	G00008-a3-T7-B1-Rm4-P1-L3	45°-7T-100w-500CL-P85-125L-MAG
G00008-a1-T8-B1-Rm4-P1-L3	15°-8T-100w-500CL-P85-125L-MAG	G00008-a2-T8-B1-Rm4-P1-L3	30°-8T-100w-500CL-P85-125L-MAG	G00008-a3-T8-B1-Rm4-P1-L3	45°-8T-100w-500CL-P85-125L-MAG
$\alpha 60^\circ$		$\alpha 75^\circ$		$\alpha 90^\circ$	
CODE	DESCRIPTION	CODE	DESCRIPTION	CODE	DESCRIPTION
G00008-a4-T1-B1-Rm4-P0-L3	60°-1T-100w-500CL-125L-MAG	G00008-a5-T1-B1-Rm4-P0-L3	75°-1T-100w-500CL-125L-MAG	G00008-a6-T1-B1-Rm4-P0-L3	90°-1T-100w-500CL-125L-MAG
G00008-a4-T2-B1-Rm4-P1-L3	60°-2T-100w-500CL-P85-125L-MAG	G00008-a5-T2-B1-Rm4-P1-L3	75°-2T-100w-500CL-P85-125L-MAG	G00008-a6-T2-B1-Rm4-P1-L3	90°-2T-100w-500CL-P85-125L-MAG
G00008-a4-T3-B1-Rm4-P1-L3	60°-3T-100w-500CL-P85-125L-MAG	G00008-a5-T3-B1-Rm4-P1-L3	75°-3T-100w-500CL-P85-125L-MAG	G00008-a6-T3-B1-Rm4-P1-L3	90°-3T-100w-500CL-P85-125L-MAG
G00008-a4-T4-B1-Rm4-P1-L3	60°-4T-100w-500CL-P85-125L-MAG	G00008-a5-T4-B1-Rm4-P1-L3	75°-4T-100w-500CL-P85-125L-MAG	G00008-a6-T4-B1-Rm4-P1-L3	90°-4T-100w-500CL-P85-125L-MAG
G00008-a4-T5-B1-Rm4-P1-L3	60°-5T-100w-500CL-P85-125L-MAG	G00008-a5-T5-B1-Rm4-P1-L3	75°-5T-100w-500CL-P85-125L-MAG	G00008-a6-T5-B1-Rm4-P1-L3	90°-5T-100w-500CL-P85-125L-MAG
G00008-a4-T6-B1-Rm4-P1-L3	60°-6T-100w-500CL-P85-125L-MAG	G00008-a5-T6-B1-Rm4-P1-L3	75°-6T-100w-500CL-P85-125L-MAG	G00008-a6-T6-B1-Rm4-P1-L3	90°-6T-100w-500CL-P85-125L-MAG
G00008-a4-T7-B1-Rm4-P1-L3	60°-7T-100w-500CL-P85-125L-MAG	G00008-a5-T7-B1-Rm4-P1-L3	75°-7T-100w-500CL-P85-125L-MAG	G00008-a6-T7-B1-Rm4-P1-L3	90°-7T-100w-500CL-P85-125L-MAG
G00008-a4-T8-B1-Rm4-P1-L3	60°-8T-100w-500CL-P85-125L-MAG	G00008-a5-T8-B1-Rm4-P1-L3	75°-8T-100w-500CL-P85-125L-MAG	G00008-a6-T8-B1-Rm4-P1-L3	90°-8T-100w-500CL-P85-125L-MAG

NON STANDARD SIZES ARE AVAILABLE ON REQUEST | STANDARD ORDER QTY: PER SET



CHAINS/BELTS
PG. E44 - E45



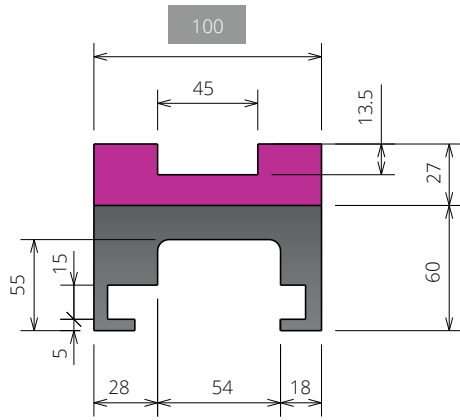
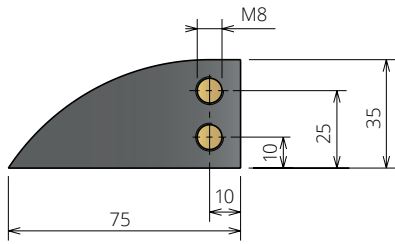
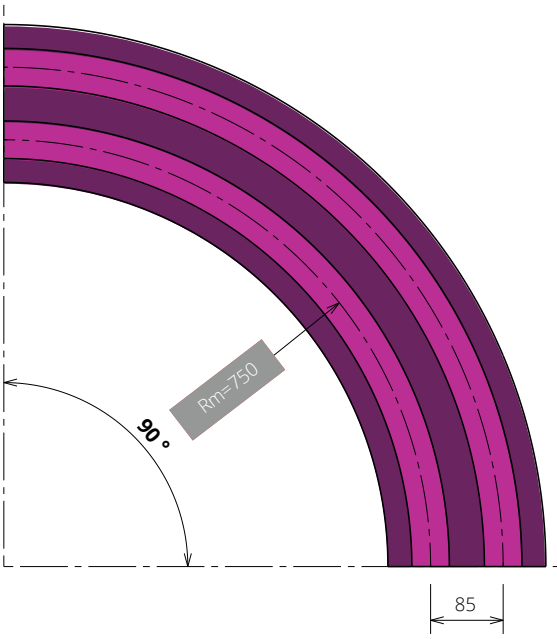
MATERIALS



TABLE OF
CONTENTS

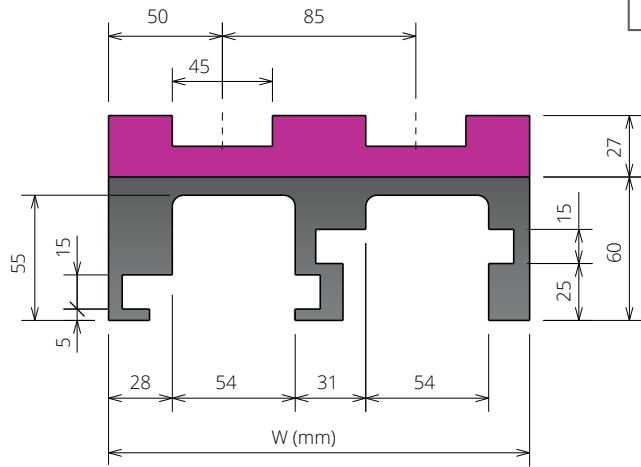


BACK TO CORNER TRACKS/
CURVES/BENDS INDEX (G)



SINGLE TRACK - G00008-α6-T2-B1-Rm4-P1-L0

TRACKS	W
1	100
2	185
3	270
4	355
5	440
6	525
7	610
8	695

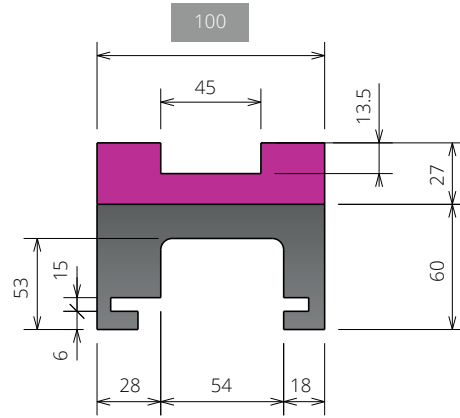
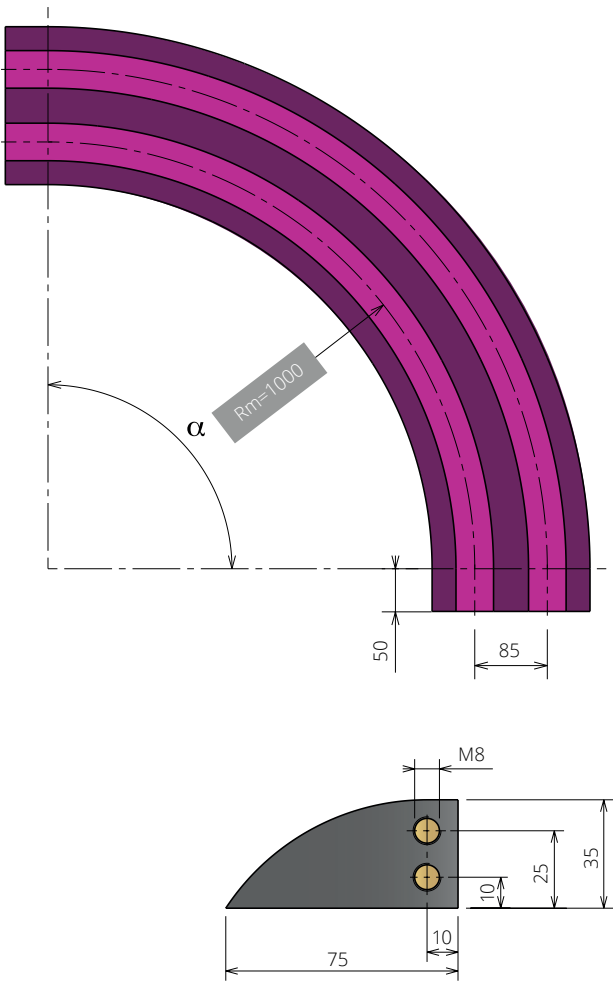


MULTI TRACK - G00008-α6-T2-B1-Rm4-P1-L0

Rm = 750mm - MULTI TRACK - NO LEAD IN / LEAD OUT

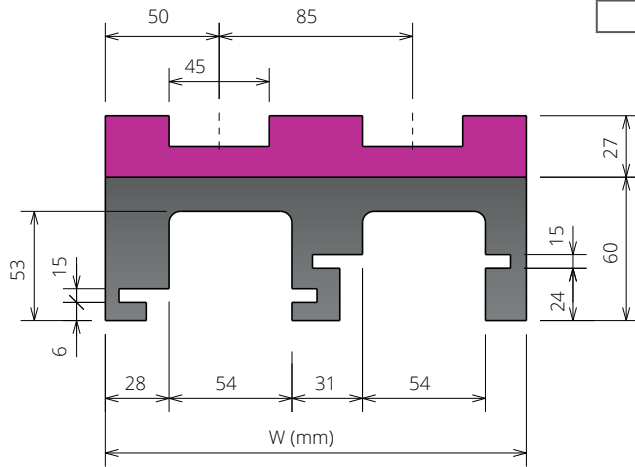
α 15°		α 30°		α 45°	
CODE	DESCRIPTION	CODE	DESCRIPTION	CODE	DESCRIPTION
G00008-α1-T1-B1-Rm4-P0-L0	15°-1T-100w-500CL-0L-MAG	G00008-α2-T1-B1-Rm4-P0-L0	30°-1T-100w-500CL-0L-MAG	G00008-α3-T1-B1-Rm4-P0-L0	45°-1T-100w-500CL-0L-MAG
G00008-α1-T2-B1-Rm4-P1-L0	15°-2T-100w-500CL-P85-0L-MAG	G00008-α2-T2-B1-Rm4-P1-L0	30°-2T-100w-500CL-P85-0L-MAG	G00008-α3-T2-B1-Rm4-P1-L0	45°-2T-100w-500CL-P85-0L-MAG
G00008-α1-T3-B1-Rm4-P1-L0	15°-3T-100w-500CL-P85-0L-MAG	G00008-α2-T3-B1-Rm4-P1-L0	30°-3T-100w-500CL-P85-0L-MAG	G00008-α3-T3-B1-Rm4-P1-L0	45°-3T-100w-500CL-P85-0L-MAG
G00008-α1-T4-B1-Rm4-P1-L0	15°-4T-100w-500CL-P85-0L-MAG	G00008-α2-T4-B1-Rm4-P1-L0	30°-4T-100w-500CL-P85-0L-MAG	G00008-α3-T4-B1-Rm4-P1-L0	45°-4T-100w-500CL-P85-0L-MAG
G00008-α1-T5-B1-Rm4-P1-L0	15°-5T-100w-500CL-P85-0L-MAG	G00008-α2-T5-B1-Rm4-P1-L0	30°-5T-100w-500CL-P85-0L-MAG	G00008-α3-T5-B1-Rm4-P1-L0	45°-5T-100w-500CL-P85-0L-MAG
G00008-α1-T6-B1-Rm4-P1-L0	15°-6T-100w-500CL-P85-0L-MAG	G00008-α2-T6-B1-Rm4-P1-L0	30°-6T-100w-500CL-P85-0L-MAG	G00008-α3-T6-B1-Rm4-P1-L0	45°-6T-100w-500CL-P85-0L-MAG
G00008-α1-T7-B1-Rm4-P1-L0	15°-7T-100w-500CL-P85-0L-MAG	G00008-α2-T7-B1-Rm4-P1-L0	30°-7T-100w-500CL-P85-0L-MAG	G00008-α3-T7-B1-Rm4-P1-L0	45°-7T-100w-500CL-P85-0L-MAG
G00008-α1-T8-B1-Rm4-P1-L0	15°-8T-100w-500CL-P85-0L-MAG	G00008-α2-T8-B1-Rm4-P1-L0	30°-8T-100w-500CL-P85-0L-MAG	G00008-α3-T8-B1-Rm4-P1-L0	45°-8T-100w-500CL-P85-0L-MAG
α 60°		α 75°		α 90°	
CODE	DESCRIPTION	CODE	DESCRIPTION	CODE	DESCRIPTION
G00008-α4-T1-B1-Rm4-P0-L0	60°-1T-100w-500CL-0L-MAG	G00008-α5-T1-B1-Rm4-P0-L0	75°-1T-100w-500CL-0L-MAG	G00008-α6-T1-B1-Rm4-P0-L0	90°-1T-100w-500CL-0L-MAG
G00008-α4-T2-B1-Rm4-P1-L0	60°-2T-100w-500CL-P85-0L-MAG	G00008-α5-T2-B1-Rm4-P1-L0	75°-2T-100w-500CL-P85-0L-MAG	G00008-α6-T2-B1-Rm4-P1-L0	90°-2T-100w-500CL-P85-0L-MAG
G00008-α4-T3-B1-Rm4-P1-L0	60°-3T-100w-500CL-P85-0L-MAG	G00008-α5-T3-B1-Rm4-P1-L0	75°-3T-100w-500CL-P85-0L-MAG	G00008-α6-T3-B1-Rm4-P1-L0	90°-3T-100w-500CL-P85-0L-MAG
G00008-α4-T4-B1-Rm4-P1-L0	60°-4T-100w-500CL-P85-0L-MAG	G00008-α5-T4-B1-Rm4-P1-L0	75°-4T-100w-500CL-P85-0L-MAG	G00008-α6-T4-B1-Rm4-P1-L0	90°-4T-100w-500CL-P85-0L-MAG
G00008-α4-T5-B1-Rm4-P1-L0	60°-5T-100w-500CL-P85-0L-MAG	G00008-α5-T5-B1-Rm4-P1-L0	75°-5T-100w-500CL-P85-0L-MAG	G00008-α6-T5-B1-Rm4-P1-L0	90°-5T-100w-500CL-P85-0L-MAG
G00008-α4-T6-B1-Rm4-P1-L0	60°-6T-100w-500CL-P85-0L-MAG	G00008-α5-T6-B1-Rm4-P1-L0	75°-6T-100w-500CL-P85-0L-MAG	G00008-α6-T6-B1-Rm4-P1-L0	90°-6T-100w-500CL-P85-0L-MAG
G00008-α4-T7-B1-Rm4-P1-L0	60°-7T-100w-500CL-P85-0L-MAG	G00008-α5-T7-B1-Rm4-P1-L0	75°-7T-100w-500CL-P85-0L-MAG	G00008-α6-T7-B1-Rm4-P1-L0	90°-7T-100w-500CL-P85-0L-MAG
G00008-α4-T8-B1-Rm4-P1-L0	60°-8T-100w-500CL-P85-0L-MAG	G00008-α5-T8-B1-Rm4-P1-L0	75°-8T-100w-500CL-P85-0L-MAG	G00008-α6-T8-B1-Rm4-P1-L0	90°-8T-100w-500CL-P85-0L-MAG

NON STANDARD SIZES ARE AVAILABLE ON REQUEST | STANDARD ORDER QTY: PER SET



SINGLE TRACK - G00008-a6-T1-B1-Rm6-P0-L1

TRACKS	W
1	100
2	185
3	270
4	355
5	440
6	525
7	610
8	695



MULTI TRACK - G00008-a6-T2-B1-Rm6-P1-L1

Rm = 1000mm - MULTI TRACK - 50mm LEAD IN / LEAD OUT

$\alpha 15^\circ$		$\alpha 30^\circ$		$\alpha 45^\circ$	
CODE	DESCRIPTION	CODE	DESCRIPTION	CODE	DESCRIPTION
G00008-a1-T1-B1-Rm6-P0-L1	15°-1T-100w-1000CL-50L-MAG	G00008-a2-T1-B1-Rm6-P0-L1	30°-1T-100w-1000CL-50L-MAG	G00008-a3-T1-B1-Rm6-P0-L1	45°-1T-100w-1000CL-50L-MAG
G00008-a1-T2-B1-Rm6-P1-L1	15°-2T-100w-1000CL-P85-50L-MAG	G00008-a2-T2-B1-Rm6-P1-L1	30°-2T-100w-1000CL-P85-50L-MAG	G00008-a3-T2-B1-Rm6-P1-L1	45°-2T-100w-1000CL-P85-50L-MAG
G00008-a1-T3-B1-Rm6-P1-L1	15°-3T-100w-1000CL-P85-50L-MAG	G00008-a2-T3-B1-Rm6-P1-L1	30°-3T-100w-1000CL-P85-50L-MAG	G00008-a3-T3-B1-Rm6-P1-L1	45°-3T-100w-1000CL-P85-50L-MAG
G00008-a1-T4-B1-Rm6-P1-L1	15°-4T-100w-1000CL-P85-50L-MAG	G00008-a2-T4-B1-Rm6-P1-L1	30°-4T-100w-1000CL-P85-50L-MAG	G00008-a3-T4-B1-Rm6-P1-L1	45°-4T-100w-1000CL-P85-50L-MAG
G00008-a1-T5-B1-Rm6-P1-L1	15°-5T-100w-1000CL-P85-50L-MAG	G00008-a2-T5-B1-Rm6-P1-L1	30°-5T-100w-1000CL-P85-50L-MAG	G00008-a3-T5-B1-Rm6-P1-L1	45°-5T-100w-1000CL-P85-50L-MAG
G00008-a1-T6-B1-Rm6-P1-L1	15°-6T-100w-1000CL-P85-50L-MAG	G00008-a2-T6-B1-Rm6-P1-L1	30°-6T-100w-1000CL-P85-50L-MAG	G00008-a3-T6-B1-Rm6-P1-L1	45°-6T-100w-1000CL-P85-50L-MAG
G00008-a1-T7-B1-Rm6-P1-L1	15°-7T-100w-1000CL-P85-50L-MAG	G00008-a2-T7-B1-Rm6-P1-L1	30°-7T-100w-1000CL-P85-50L-MAG	G00008-a3-T7-B1-Rm6-P1-L1	45°-7T-100w-1000CL-P85-50L-MAG
G00008-a1-T8-B1-Rm6-P1-L1	15°-8T-100w-1000CL-P85-50L-MAG	G00008-a2-T8-B1-Rm6-P1-L1	30°-8T-100w-1000CL-P85-50L-MAG	G00008-a3-T8-B1-Rm6-P1-L1	45°-8T-100w-1000CL-P85-50L-MAG
$\alpha 60^\circ$		$\alpha 75^\circ$		$\alpha 90^\circ$	
CODE	DESCRIPTION	CODE	DESCRIPTION	CODE	DESCRIPTION
G00008-a4-T1-B1-Rm6-P0-L1	60°-1T-100w-1000CL-50L-MAG	G00008-a5-T1-B1-Rm6-P0-L1	75°-1T-100w-1000CL-50L-MAG	G00008-a6-T1-B1-Rm6-P0-L1	90°-1T-100w-1000CL-50L-MAG
G00008-a4-T2-B1-Rm6-P1-L1	60°-2T-100w-1000CL-P85-50L-MAG	G00008-a5-T2-B1-Rm6-P1-L1	75°-2T-100w-1000CL-P85-50L-MAG	G00008-a6-T2-B1-Rm6-P1-L1	90°-2-T100w-1000CL-P85-50L-MAG
G00008-a4-T3-B1-Rm6-P1-L1	60°-3T-100w-1000CL-P85-50L-MAG	G00008-a5-T3-B1-Rm6-P1-L1	75°-3T-100w-1000CL-P85-50L-MAG	G00008-a6-T3-B1-Rm6-P1-L1	90°-3T-100w-1000CL-P85-50L-MAG
G00008-a4-T4-B1-Rm6-P1-L1	60°-4T-100w-1000CL-P85-50L-MAG	G00008-a5-T4-B1-Rm6-P1-L1	75°-4T-100w-1000CL-P85-50L-MAG	G00008-a6-T4-B1-Rm6-P1-L1	90°-4T-100w-1000CL-P85-50L-MAG
G00008-a4-T5-B1-Rm6-P1-L1	60°-5T-100w-1000CL-P85-50L-MAG	G00008-a5-T5-B1-Rm6-P1-L1	75°-5T-100w-1000CL-P85-50L-MAG	G00008-a6-T5-B1-Rm6-P1-L1	90°-5T-100w-1000CL-P85-50L-MAG
G00008-a4-T6-B1-Rm6-P1-L1	60°-6T-100w-1000CL-P85-50L-MAG	G00008-a5-T6-B1-Rm6-P1-L1	75°-6T-100w-1000CL-P85-50L-MAG	G00008-a6-T6-B1-Rm6-P1-L1	90°-6T-100w-1000CL-P85-50L-MAG
G00008-a4-T7-B1-Rm6-P1-L1	60°-7T-100w-1000CL-P85-50L-MAG	G00008-a5-T7-B1-Rm6-P1-L1	75°-7T-100w-1000CL-P85-50L-MAG	G00008-a6-T7-B1-Rm6-P1-L1	90°-7T-100w-1000CL-P85-50L-MAG
G00008-a4-T8-B1-Rm6-P1-L1	60°-8T-100w-1000CL-P85-50L-MAG	G00008-a5-T8-B1-Rm6-P1-L1	75°-8T-100w-1000CL-P85-50L-MAG	G00008-a6-T8-B1-Rm6-P1-L1	90°-8T-100w-1000CL-P85-50L-MAG

NON STANDARD SIZES ARE AVAILABLE ON REQUEST | STANDARD ORDER QTY: PER SET



CHAINS/BELTS
PG. E44 - E45



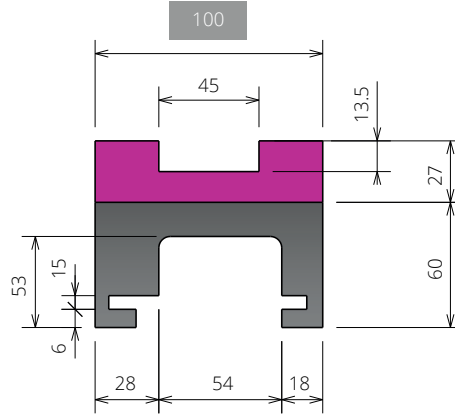
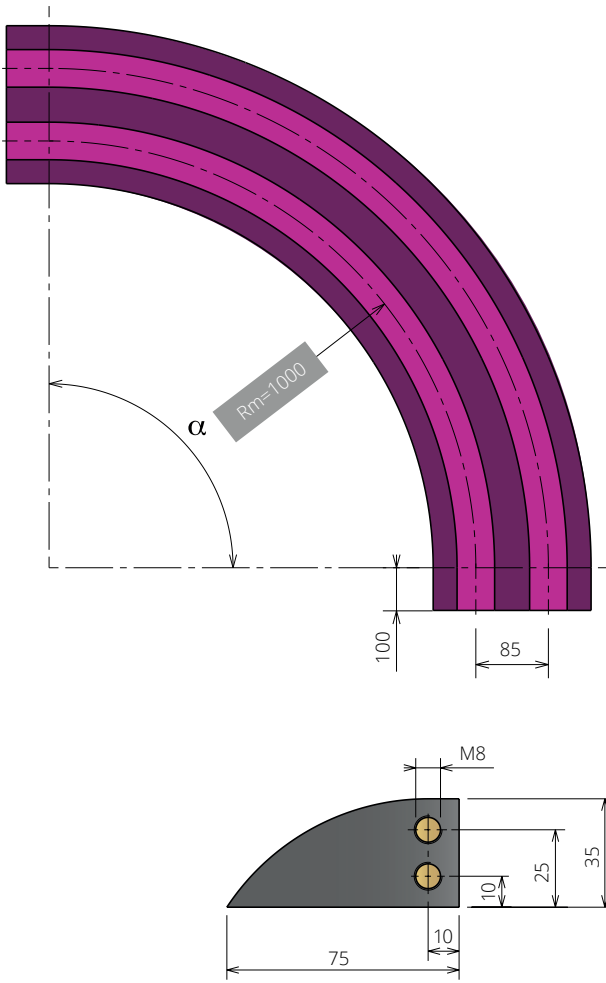
MATERIALS



TABLE OF
CONTENTS

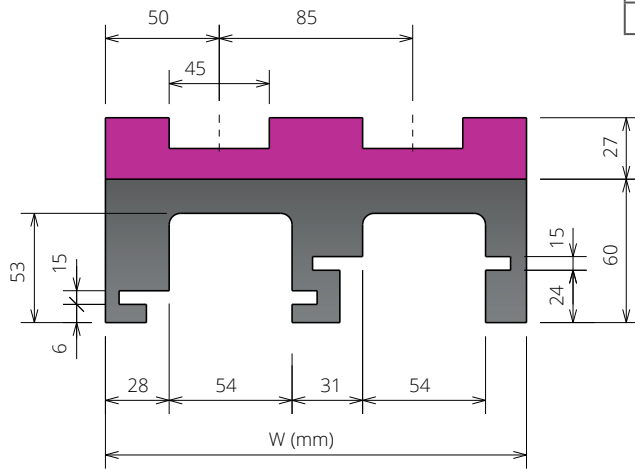


BACK TO CORNER TRACKS/
CURVES/BENDS INDEX (G)



SINGLE TRACK - G00008-a6-T1-B1-Rm6-P0-L2

TRACKS	W
1	100
2	185
3	270
4	355
5	440
6	525
7	610
8	695



MULTI TRACK - G00008-a6-T2-B1-Rm6-P1-L2

Rm = 1000mm - MULTI TRACK - 100mm LEAD IN / LEAD OUT

$\alpha 15^\circ$		$\alpha 30^\circ$		$\alpha 45^\circ$	
CODE	DESCRIPTION	CODE	DESCRIPTION	CODE	DESCRIPTION
G00008-a1-T1-B1-Rm6-P0-L2	15°-1T-100w-1000CL-100L-MAG	G00008-a2-T1-B1-Rm6-P0-L2	30°-1T-100w-1000CL-100L-MAG	G00008-a3-T1-B1-Rm6-P0-L2	45°-1T-100w-1000CL-100L-MAG
G00008-a1-T2-B1-Rm6-P1-L2	15°-2T-100w-1000CL-P85-100L-MAG	G00008-a2-T2-B1-Rm6-P1-L2	30°-2T-100w-1000CL-P85-100L-MAG	G00008-a3-T2-B1-Rm6-P1-L2	45°-2T-100w-1000CL-P85-100L-MAG
G00008-a1-T3-B1-Rm6-P1-L2	15°-3T-100w-1000CL-P85-100L-MAG	G00008-a2-T3-B1-Rm6-P1-L2	30°-3T-100w-1000CL-P85-100L-MAG	G00008-a3-T3-B1-Rm6-P1-L2	45°-3T-100w-1000CL-P85-100L-MAG
G00008-a1-T4-B1-Rm6-P1-L2	15°-4T-100w-1000CL-P85-100L-MAG	G00008-a2-T4-B1-Rm6-P1-L2	30°-4T-100w-1000CL-P85-100L-MAG	G00008-a3-T4-B1-Rm6-P1-L2	45°-4T-100w-1000CL-P85-100L-MAG
G00008-a1-T5-B1-Rm6-P1-L2	15°-5T-100w-1000CL-P85-100L-MAG	G00008-a2-T5-B1-Rm6-P1-L2	30°-5T-100w-1000CL-P85-100L-MAG	G00008-a3-T5-B1-Rm6-P1-L2	45°-5T-100w-1000CL-P85-100L-MAG
G00008-a1-T6-B1-Rm6-P1-L2	15°-6T-100w-1000CL-P85-100L-MAG	G00008-a2-T6-B1-Rm6-P1-L2	30°-6T-100w-1000CL-P85-100L-MAG	G00008-a3-T6-B1-Rm6-P1-L2	45°-6T-100w-1000CL-P85-100L-MAG
G00008-a1-T7-B1-Rm6-P1-L2	15°-7T-100w-1000CL-P85-100L-MAG	G00008-a2-T7-B1-Rm6-P1-L2	30°-7T-100w-1000CL-P85-100L-MAG	G00008-a3-T7-B1-Rm6-P1-L2	45°-7T-100w-1000CL-P85-100L-MAG
G00008-a1-T8-B1-Rm6-P1-L2	15°-8T-100w-1000CL-P85-100L-MAG	G00008-a2-T8-B1-Rm6-P1-L2	30°-8T-100w-1000CL-P85-100L-MAG	G00008-a3-T8-B1-Rm6-P1-L2	45°-8T-100w-1000CL-P85-100L-MAG
$\alpha 60^\circ$		$\alpha 75^\circ$		$\alpha 90^\circ$	
CODE	DESCRIPTION	CODE	DESCRIPTION	CODE	DESCRIPTION
G00008-a4-T1-B1-Rm6-P0-L2	60°-1T-100w-1000CL-100L-MAG	G00008-a5-T1-B1-Rm6-P0-L2	75°-1T-100w-1000CL-100L-MAG	G00008-a6-T1-B1-Rm6-P0-L2	90°-1T-100w-1000CL-100L-MAG
G00008-a4-T2-B1-Rm6-P1-L2	60°-2T-100w-1000CL-P85-100L-MAG	G00008-a5-T2-B1-Rm6-P1-L2	75°-2T-100w-1000CL-P85-100L-MAG	G00008-a6-T2-B1-Rm6-P1-L2	90°-2T-100w-1000CL-P85-100L-MAG
G00008-a4-T3-B1-Rm6-P1-L2	60°-3T-100w-1000CL-P85-100L-MAG	G00008-a5-T3-B1-Rm6-P1-L2	75°-3T-100w-1000CL-P85-100L-MAG	G00008-a6-T3-B1-Rm6-P1-L2	90°-3T-100w-1000CL-P85-100L-MAG
G00008-a4-T4-B1-Rm6-P1-L2	60°-4T-100w-1000CL-P85-100L-MAG	G00008-a5-T4-B1-Rm6-P1-L2	75°-4T-100w-1000CL-P85-100L-MAG	G00008-a6-T4-B1-Rm6-P1-L2	90°-4T-100w-1000CL-P85-100L-MAG
G00008-a4-T5-B1-Rm6-P1-L2	60°-5T-100w-1000CL-P85-100L-MAG	G00008-a5-T5-B1-Rm6-P1-L2	75°-5T-100w-1000CL-P85-100L-MAG	G00008-a6-T5-B1-Rm6-P1-L2	90°-5T-100w-1000CL-P85-100L-MAG
G00008-a4-T6-B1-Rm6-P1-L2	60°-6T-100w-1000CL-P85-100L-MAG	G00008-a5-T6-B1-Rm6-P1-L2	75°-6T-100w-1000CL-P85-100L-MAG	G00008-a6-T6-B1-Rm6-P1-L2	90°-6T-100w-1000CL-P85-100L-MAG
G00008-a4-T7-B1-Rm6-P1-L2	60°-7T-100w-1000CL-P85-100L-MAG	G00008-a5-T7-B1-Rm6-P1-L2	75°-7T-100w-1000CL-P85-100L-MAG	G00008-a6-T7-B1-Rm6-P1-L2	90°-7T-100w-1000CL-P85-100L-MAG
G00008-a4-T8-B1-Rm6-P1-L2	60°-8T-100w-1000CL-P85-100L-MAG	G00008-a5-T8-B1-Rm6-P1-L2	75°-8T-100w-1000CL-P85-100L-MAG	G00008-a6-T8-B1-Rm6-P1-L2	90°-8T-100w-1000CL-P85-100L-MAG

NON STANDARD SIZES ARE AVAILABLE ON REQUEST | STANDARD ORDER QTY: PER SET



CHAINS/BELTS
PG. E44 - E45



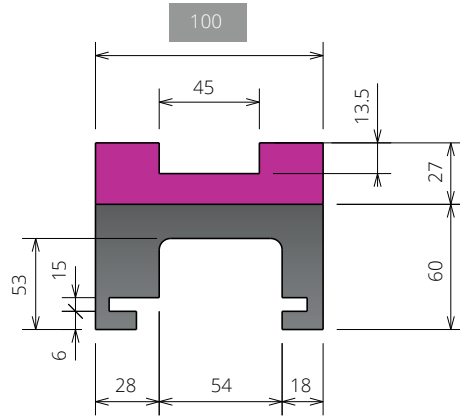
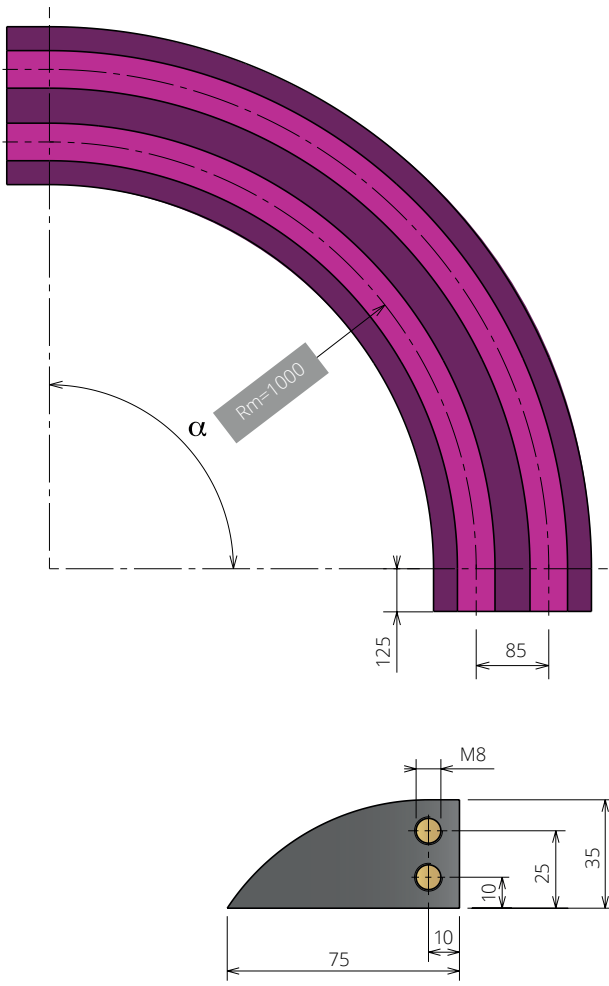
MATERIALS



TABLE OF
CONTENTS

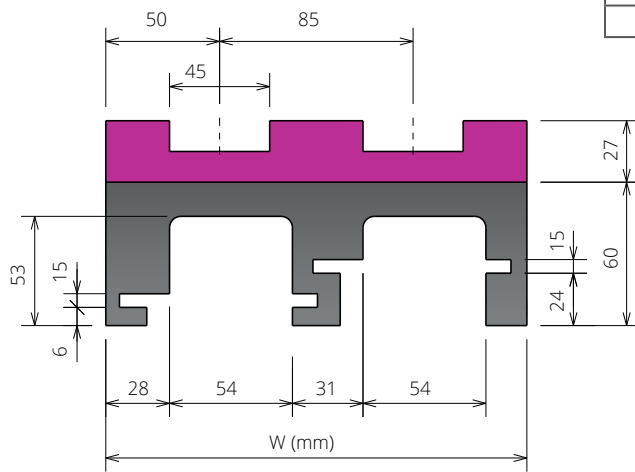


BACK TO CORNER TRACKS/
CURVES/BENDS INDEX (G)



SINGLE TRACK - G00008-a6-T1-B1-Rm6-P0-L3

TRACKS	W
1	100
2	185
3	270
4	355
5	440
6	525
7	610
8	695



MULTI TRACK - G00008-a6-T2-B1-Rm6-P1-L3

Rm = 1000mm - MULTI TRACK - 125mm LEAD IN / LEAD OUT

$\alpha 15^\circ$		$\alpha 30^\circ$		$\alpha 45^\circ$	
CODE	DESCRIPTION	CODE	DESCRIPTION	CODE	DESCRIPTION
G00008-a1-T1-B1-Rm6-P0-L3	15°-1T-100w-1000CL-125L-MAG	G00008-a2-T1-B1-Rm6-P0-L3	30°-1T-100w-1000CL-125L-MAG	G00008-a3-T1-B1-Rm6-P0-L3	45°-1T-100w-1000CL-125L-MAG
G00008-a1-T2-B1-Rm6-P1-L3	15°-2T-100w-1000CL-P85-125L-MAG	G00008-a2-T2-B1-Rm6-P1-L3	30°-2T-100w-1000CL-P85-125L-MAG	G00008-a3-T2-B1-Rm6-P1-L3	45°-2T-100w-1000CL-P85-125L-MAG
G00008-a1-T3-B1-Rm6-P1-L3	15°-3T-100w-1000CL-P85-125L-MAG	G00008-a2-T3-B1-Rm6-P1-L3	30°-3T-100w-1000CL-P85-125L-MAG	G00008-a3-T3-B1-Rm6-P1-L3	45°-3T-100w-1000CL-P85-125L-MAG
G00008-a1-T4-B1-Rm6-P1-L3	15°-4T-100w-1000CL-P85-125L-MAG	G00008-a2-T4-B1-Rm6-P1-L3	30°-4T-100w-1000CL-P85-125L-MAG	G00008-a3-T4-B1-Rm6-P1-L3	45°-4T-100w-1000CL-P85-125L-MAG
G00008-a1-T5-B1-Rm6-P1-L3	15°-5T-100w-1000CL-P85-125L-MAG	G00008-a2-T5-B1-Rm6-P1-L3	30°-5T-100w-1000CL-P85-125L-MAG	G00008-a3-T5-B1-Rm6-P1-L3	45°-5T-100w-1000CL-P85-125L-MAG
G00008-a1-T6-B1-Rm6-P1-L3	15°-6T-100w-1000CL-P85-125L-MAG	G00008-a2-T6-B1-Rm6-P1-L3	30°-6T-100w-1000CL-P85-125L-MAG	G00008-a3-T6-B1-Rm6-P1-L3	45°-6T-100w-1000CL-P85-125L-MAG
G00008-a1-T7-B1-Rm6-P1-L3	15°-7T-100w-1000CL-P85-125L-MAG	G00008-a2-T7-B1-Rm6-P1-L3	30°-7T-100w-1000CL-P85-125L-MAG	G00008-a3-T7-B1-Rm6-P1-L3	45°-7T-100w-1000CL-P85-125L-MAG
G00008-a1-T8-B1-Rm6-P1-L3	15°-8T-100w-1000CL-P85-125L-MAG	G00008-a2-T8-B1-Rm6-P1-L3	30°-8T-100w-1000CL-P85-125L-MAG	G00008-a3-T8-B1-Rm6-P1-L3	45°-8T-100w-1000CL-P85-125L-MAG
$\alpha 60^\circ$		$\alpha 75^\circ$		$\alpha 90^\circ$	
CODE	DESCRIPTION	CODE	DESCRIPTION	CODE	DESCRIPTION
G00008-a4-T1-B1-Rm6-P0-L3	60°-1T-100w-1000CL-125L-MAG	G00008-a5-T1-B1-Rm6-P0-L3	75°-1T-100w-1000CL-125L-MAG	G00008-a6-T1-B1-Rm6-P0-L3	90°-1T-100w-1000CL-125L-MAG
G00008-a4-T2-B1-Rm6-P1-L3	60°-2T-100w-1000CL-P85-125L-MAG	G00008-a5-T2-B1-Rm6-P1-L3	75°-2T-100w-1000CL-P85-125L-MAG	G00008-a6-T2-B1-Rm6-P1-L3	90°-2T-100w-1000CL-P85-125L-MAG
G00008-a4-T3-B1-Rm6-P1-L3	60°-3T-100w-1000CL-P85-125L-MAG	G00008-a5-T3-B1-Rm6-P1-L3	75°-3T-100w-1000CL-P85-125L-MAG	G00008-a6-T3-B1-Rm6-P1-L3	90°-3T-100w-1000CL-P85-125L-MAG
G00008-a4-T4-B1-Rm6-P1-L3	60°-4T-100w-1000CL-P85-125L-MAG	G00008-a5-T4-B1-Rm6-P1-L3	75°-4T-100w-1000CL-P85-125L-MAG	G00008-a6-T4-B1-Rm6-P1-L3	90°-4T-100w-1000CL-P85-125L-MAG
G00008-a4-T5-B1-Rm6-P1-L3	60°-5T-100w-1000CL-P85-125L-MAG	G00008-a5-T5-B1-Rm6-P1-L3	75°-5T-100w-1000CL-P85-125L-MAG	G00008-a6-T5-B1-Rm6-P1-L3	90°-5T-100w-1000CL-P85-125L-MAG
G00008-a4-T6-B1-Rm6-P1-L3	60°-6T-100w-1000CL-P85-125L-MAG	G00008-a5-T6-B1-Rm6-P1-L3	75°-6T-100w-1000CL-P85-125L-MAG	G00008-a6-T6-B1-Rm6-P1-L3	90°-6T-100w-1000CL-P85-125L-MAG
G00008-a4-T7-B1-Rm6-P1-L3	60°-7T-100w-1000CL-P85-125L-MAG	G00008-a5-T7-B1-Rm6-P1-L3	75°-7T-100w-1000CL-P85-125L-MAG	G00008-a6-T7-B1-Rm6-P1-L3	90°-7T-100w-1000CL-P85-125L-MAG
G00008-a4-T8-B1-Rm6-P1-L3	60°-8T-100w-1000CL-P85-125L-MAG	G00008-a5-T8-B1-Rm6-P1-L3	75°-8T-100w-1000CL-P85-125L-MAG	G00008-a6-T8-B1-Rm6-P1-L3	90°-8T-100w-1000CL-P85-125L-MAG

NON STANDARD SIZES ARE AVAILABLE ON REQUEST | STANDARD ORDER QTY: PER SET



CHAINS/BELTS
PG. E44 - E45



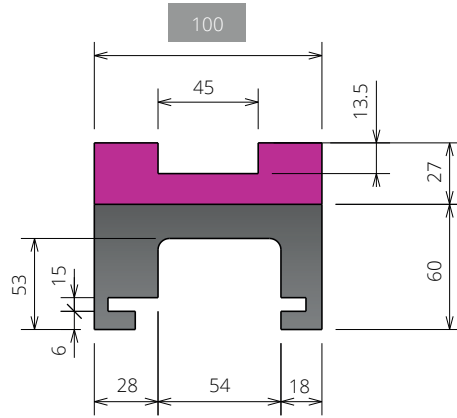
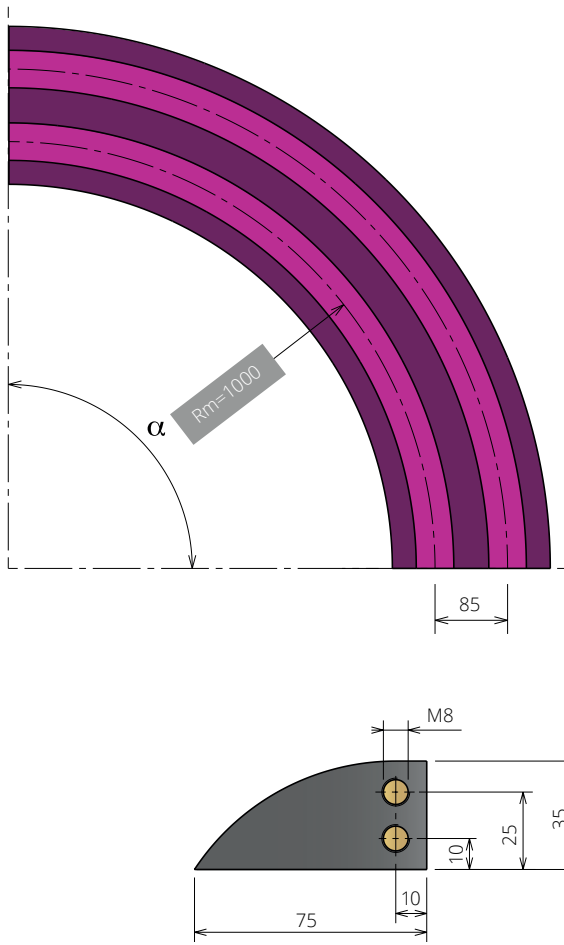
MATERIALS



TABLE OF
CONTENTS

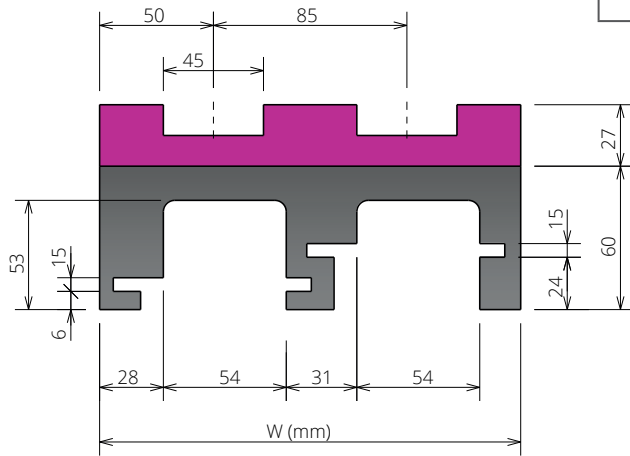


BACK TO CORNER TRACKS/
CURVES/BENDS INDEX (G)



SINGLE TRACK - G00008-a6-T1-B1-Rm6-P0-L0

TRACKS	W
1	100
2	185
3	270
4	355
5	440
6	525
7	610
8	695



MULTI TRACK - G00008-a6-T2-B1-Rm6-P1-L0

Rm = 1000mm - MULTI TRACK - NO LEAD IN / LEAD OUT

$\alpha 15^\circ$		$\alpha 30^\circ$		$\alpha 45^\circ$	
CODE	DESCRIPTION	CODE	DESCRIPTION	CODE	DESCRIPTION
G00008-a1-T1-B1-Rm6-P0-L0	15°-1T-100w-1000CL-0L-MAG	G00008-a2-T1-B1-Rm6-P0-L0	30°-1T-100w-1000CL-0L-MAG	G00008-a3-T1-B1-Rm6-P0-L0	45°-1T-100w-1000CL-0L-MAG
G00008-a1-T2-B1-Rm6-P1-L0	15°-2T-100w-1000CL-P85-0L-MAG	G00008-a2-T2-B1-Rm6-P1-L0	30°-2T-100w-1000CL-P85-0L-MAG	G00008-a3-T2-B1-Rm6-P1-L0	45°-2T-100w-1000CL-P85-0L-MAG
G00008-a1-T3-B1-Rm6-P1-L0	15°-3T-100w-1000CL-P85-0L-MAG	G00008-a2-T3-B1-Rm6-P1-L0	30°-3T-100w-1000CL-P85-0L-MAG	G00008-a3-T3-B1-Rm6-P1-L0	45°-3T-100w-1000CL-P85-0L-MAG
G00008-a1-T4-B1-Rm6-P1-L0	15°-4T-100w-1000CL-P85-0L-MAG	G00008-a2-T4-B1-Rm6-P1-L0	30°-4T-100w-1000CL-P85-0L-MAG	G00008-a3-T4-B1-Rm6-P1-L0	45°-4T-100w-1000CL-P85-0L-MAG
G00008-a1-T5-B1-Rm6-P1-L0	15°-5T-100w-1000CL-P85-0L-MAG	G00008-a2-T5-B1-Rm6-P1-L0	30°-5T-100w-1000CL-P85-0L-MAG	G00008-a3-T5-B1-Rm6-P1-L0	45°-5T-100w-1000CL-P85-0L-MAG
G00008-a1-T6-B1-Rm6-P1-L0	15°-6T-100w-1000CL-P85-0L-MAG	G00008-a2-T6-B1-Rm6-P1-L0	30°-6T-100w-1000CL-P85-0L-MAG	G00008-a3-T6-B1-Rm6-P1-L0	45°-6T-100w-1000CL-P85-0L-MAG
G00008-a1-T7-B1-Rm6-P1-L0	15°-7T-100w-1000CL-P85-0L-MAG	G00008-a2-T7-B1-Rm6-P1-L0	30°-7T-100w-1000CL-P85-0L-MAG	G00008-a3-T7-B1-Rm6-P1-L0	45°-7T-100w-1000CL-P85-0L-MAG
G00008-a1-T8-B1-Rm6-P1-L0	15°-8T-100w-1000CL-P85-0L-MAG	G00008-a2-T8-B1-Rm6-P1-L0	30°-8T-100w-1000CL-P85-0L-MAG	G00008-a3-T8-B1-Rm6-P1-L0	45°-8T-100w-1000CL-P85-0L-MAG
$\alpha 60^\circ$		$\alpha 75^\circ$		$\alpha 90^\circ$	
CODE	DESCRIPTION	CODE	DESCRIPTION	CODE	DESCRIPTION
G00008-a4-T1-B1-Rm6-P0-L0	60°-1T-100w-1000CL-0L-MAG	G00008-a5-T1-B1-Rm6-P0-L0	75°-1T-100w-1000CL-0L-MAG	G00008-a6-T1-B1-Rm6-P0-L0	90°-1T-100w-1000CL-0L-MAG
G00008-a4-T2-B1-Rm6-P1-L0	60°-2T-100w-1000CL-P85-0L-MAG	G00008-a5-T2-B1-Rm6-P1-L0	75°-2T-100w-1000CL-P85-0L-MAG	G00008-a6-T2-B1-Rm6-P1-L0	90°-2T-100w-1000CL-P85-0L-MAG
G00008-a4-T3-B1-Rm6-P1-L0	60°-3T-100w-1000CL-P85-0L-MAG	G00008-a5-T3-B1-Rm6-P1-L0	75°-3T-100w-1000CL-P85-0L-MAG	G00008-a6-T3-B1-Rm6-P1-L0	90°-3T-100w-1000CL-P85-0L-MAG
G00008-a4-T4-B1-Rm6-P1-L0	60°-4T-100w-1000CL-P85-0L-MAG	G00008-a5-T4-B1-Rm6-P1-L0	75°-4T-100w-1000CL-P85-0L-MAG	G00008-a6-T4-B1-Rm6-P1-L0	90°-4T-100w-1000CL-P85-0L-MAG
G00008-a4-T5-B1-Rm6-P1-L0	60°-5T-100w-1000CL-P85-0L-MAG	G00008-a5-T5-B1-Rm6-P1-L0	75°-5T-100w-1000CL-P85-0L-MAG	G00008-a6-T5-B1-Rm6-P1-L0	90°-5T-100w-1000CL-P85-0L-MAG
G00008-a4-T6-B1-Rm6-P1-L0	60°-6T-100w-1000CL-P85-0L-MAG	G00008-a5-T6-B1-Rm6-P1-L0	75°-6T-100w-1000CL-P85-0L-MAG	G00008-a6-T6-B1-Rm6-P1-L0	90°-6T-100w-1000CL-P85-0L-MAG
G00008-a4-T7-B1-Rm6-P1-L0	60°-7T-100w-1000CL-P85-0L-MAG	G00008-a5-T7-B1-Rm6-P1-L0	75°-7T-100w-1000CL-P85-0L-MAG	G00008-a6-T7-B1-Rm6-P1-L0	90°-7T-100w-1000CL-P85-0L-MAG
G00008-a4-T8-B1-Rm6-P1-L0	60°-8T-100w-1000CL-P85-0L-MAG	G00008-a5-T8-B1-Rm6-P1-L0	75°-8T-100w-1000CL-P85-0L-MAG	G00008-a6-T8-B1-Rm6-P1-L0	90°-8T-100w-1000CL-P85-0L-MAG

NON STANDARD SIZES ARE AVAILABLE ON REQUEST | STANDARD ORDER QTY: PER SET



CHAINS/BELTS
 PG. E44 - E45



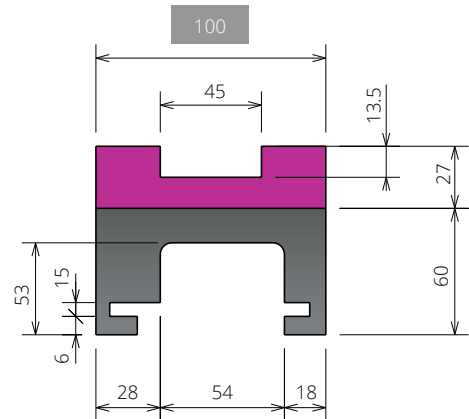
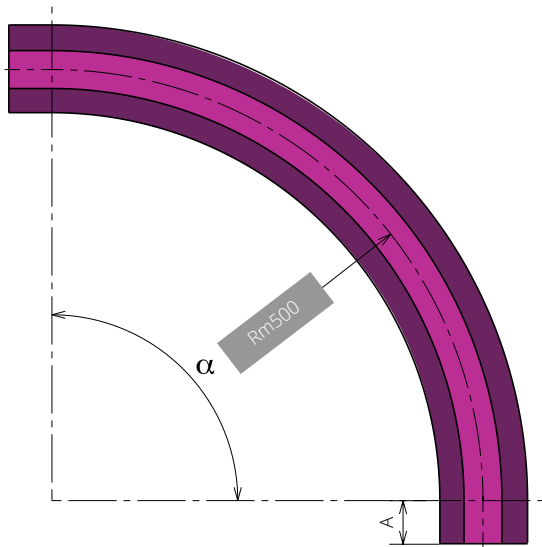
MATERIALS



TABLE OF
 CONTENTS



BACK TO CORNER TRACKS/
 CURVES/BENDS INDEX (G)

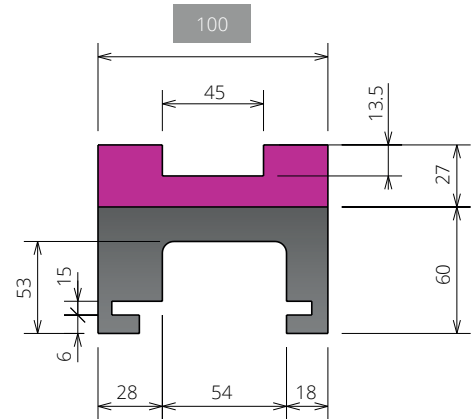
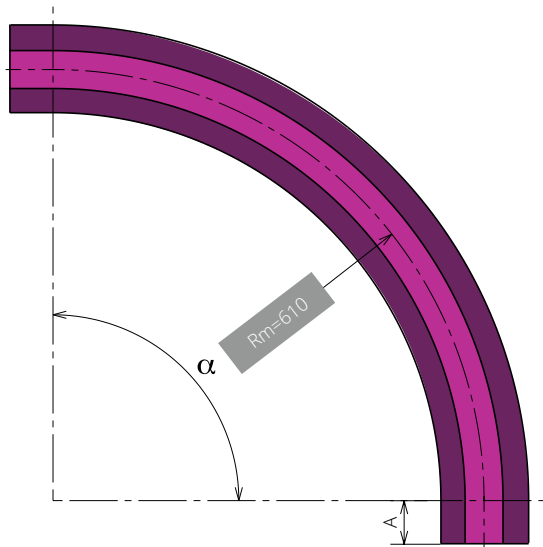


LEAD IN & OUT AVAILABLE IN
 125mm - 100mm - 50mm AND WITHOUT

Rm = 500mm - SINGLE TRACK

$\alpha 15^\circ$		$\alpha 30^\circ$		$\alpha 45^\circ$	
CODE	DESCRIPTION	CODE	DESCRIPTION	CODE	DESCRIPTION
G00008-a1-T1-B1-Rm1-P0-L0	15°-1T-100w-500CL-0L-MAG	G00008-a2-T1-B1-Rm1-P0-L0	30°-1T-100w-500CL-0L-MAG	G00008-a3-T1-B1-Rm1-P0-L0	45°-1T-100w-500CL-0L-MAG
G00008-a1-T1-B1-Rm1-P0-L1	15°-1T-100w-500CL-50L-MAG	G00008-a2-T1-B1-Rm1-P0-L1	30°-1T-100w-500CL-50L-MAG	G00008-a3-T1-B1-Rm1-P0-L1	45°-1T-100w-500CL-50L-MAG
G00008-a1-T1-B1-Rm1-P0-L2	15°-1T-100w-500CL-100L-MAG	G00008-a2-T1-B1-Rm1-P0-L2	30°-1T-100w-500CL-100L-MAG	G00008-a3-T1-B1-Rm1-P0-L2	45°-1T-100w-500CL-100L-MAG
G00008-a1-T1-B1-Rm1-P0-L3	15°-1T-100w-500CL-125L-MAG	G00008-a2-T1-B1-Rm1-P0-L3	30°-1T-100w-500CL-125L-MAG	G00008-a3-T1-B1-Rm1-P0-L3	45°-1T-100w-500CL-125L-MAG
$\alpha 60^\circ$		$\alpha 75^\circ$		$\alpha 90^\circ$	
CODE	DESCRIPTION	CODE	DESCRIPTION	CODE	DESCRIPTION
G00008-a4-T1-B1-Rm1-P0-L0	60°-1T-100w-500CL-0L-MAG	G00008-a5-T1-B1-Rm1-P0-0	75°-1T-100w-500CL-0L-MAG	G00008-a6-T1-B1-Rm1-P0-L0	90°-1T-100w-500CL-0L-MAG
G00008-a4-T1-B1-Rm1-P0-L1	60°-1T-100w-500CL-50L-MAG	G00008-a5-T1-B1-Rm1-P0-L1	75°-1T-100w-500CL-50L-MAG	G00008-a6-T1-B1-Rm1-P0-L1	90°-1T-100w-500CL-50L-MAG
G00008-a4-T1-B1-Rm1-P0-L2	60°-1T-100w-500CL-100L-MAG	G00008-a5-T1-B1-Rm1-P0-L2	75°-1T-100w-500CL-100L-MAG	G00008-a6-T1-B1-Rm1-P0-L2	90°-1T-100w-500CL-100L-MAG
G00008-a4-T1-B1-Rm1-P0-L3	60°-1T-100w-500CL-125L-MAG	G00008-a5-T1-B1-Rm1-P0-L3	75°-1T-100w-500CL-125L-MAG	G00008-a6-T1-B1-Rm1-P0-L3	90°-1T-100w-500CL-125L-MAG

NON STANDARD SIZES ARE AVAILABLE ON REQUEST.
 STANDARD ORDER QTY: PER SET



LEAD IN & OUT AVAILABLE IN
 125mm - 100mm - 50mm AND WITHOUT

Rm = 610mm - SINGLE TRACK

$\alpha 15^\circ$		$\alpha 30^\circ$		$\alpha 45^\circ$	
CODE	DESCRIPTION	CODE	DESCRIPTION	CODE	DESCRIPTION
G00008-a1-T1-B1-Rm2-P0-L0	15°-1T-100w-610CL-0L-MAG	G00008-a2-T1-B1-Rm2-P0-L0	30°-1T-100w-610CL-0L-MAG	G00008-a3-T1-B1-Rm2-P0-L0	45°-1T-100w-610CL-0L-MAG
G00008-a1-T1-B1-Rm2-P0-L1	15°-1T-100w-610CL-50L-MAG	G00008-a2-T1-B1-Rm2-P0-L1	30°-1T-100w-610CL-50L-MAG	G00008-a3-T1-B1-Rm2-P0-L1	45°-1T-100w-610CL-50L-MAG
G00008-a1-T1-B1-Rm2-P0-L2	15°-1T-100w-610CL-100L-MAG	G00008-a2-T1-B1-Rm2-P0-L2	30°-1T-100w-610CL-100L-MAG	G00008-a3-T1-B1-Rm2-P0-L2	45°-1T-100w-610CL-100L-MAG
G00008-a1-T1-B1-Rm2-P0-L3	15°-1T-100w-610CL-125L-MAG	G00008-a2-T1-B1-Rm2-P0-L3	30°-1T-100w-610CL-125L-MAG	G00008-a3-T1-B1-Rm2-P0-L3	45°-1T-100w-610CL-125L-MAG
$\alpha 60^\circ$		$\alpha 75^\circ$		$\alpha 90^\circ$	
CODE	DESCRIPTION	CODE	DESCRIPTION	CODE	DESCRIPTION
G00008-a4-T1-B1-Rm2-P0-L0	60°-1T-100w-610CL-0L-MAG	G00008-a5-T1-B1-Rm2-P0-L0	75°-1T-100w-610CL-0L-MAG	G00008-a6-T1-B1-Rm2-P0-L0	90°-1T-100w-610CL-0L-MAG
G00008-a4-T1-B1-Rm2-P0-L1	60°-1T-100w-610CL-50L-MAG	G00008-a5-T1-B1-Rm2-P0-L1	75°-1T-100w-610CL-50L-MAG	G00008-a6-T1-B1-Rm2-P0-L1	90°-1T-100w-610CL-50L-MAG
G00008-a4-T1-B1-Rm2-P0-L2	60°-1T-100w-610CL-100L-MAG	G00008-a5-T1-B1-Rm2-P0-L2	75°-1T-100w-610CL-100L-MAG	G00008-a6-T1-B1-Rm2-P0-L2	90°-1T-100w-610CL-100L-MAG
G00008-a4-T1-B1-Rm2-P0-L3	60°-1T-100w-610CL-125L-MAG	G00008-a5-T1-B1-Rm2-P0-L3	75°-1T-100w-610CL-125L-MAG	G00008-a6-T1-B1-Rm2-P0-L3	90°-1T-100w-610CL-125L-MAG

NON STANDARD SIZES ARE AVAILABLE ON REQUEST.
 STANDARD ORDER QTY: PER SET



CHAINS/BELTS
 PG. E44 - E45



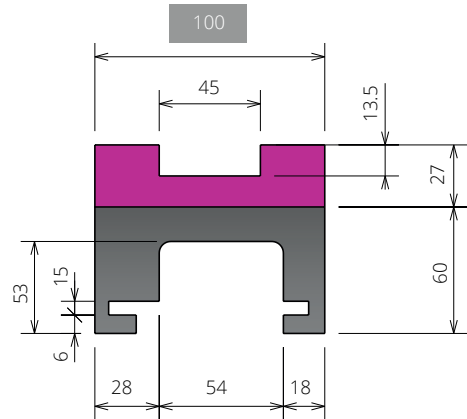
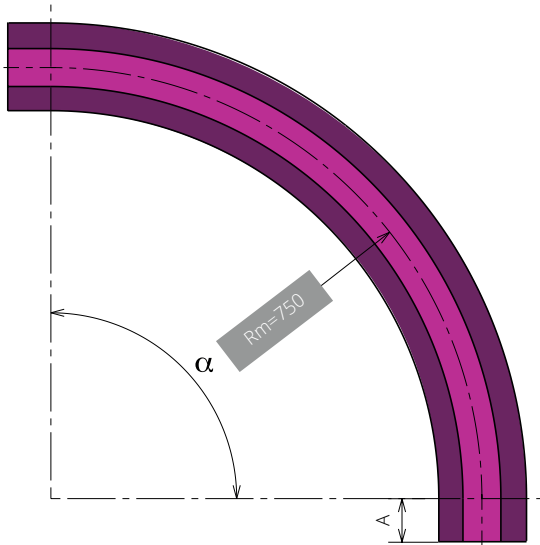
MATERIALS



TABLE OF
 CONTENTS



BACK TO CORNER TRACKS/
 CURVES/BENDS INDEX (G)

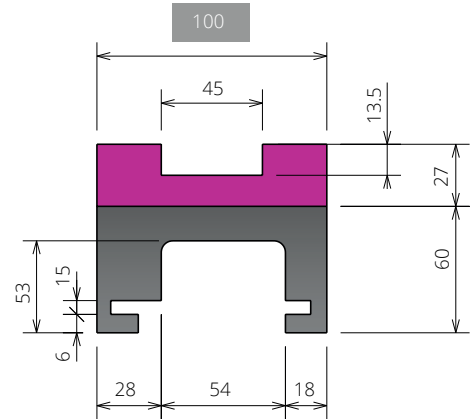
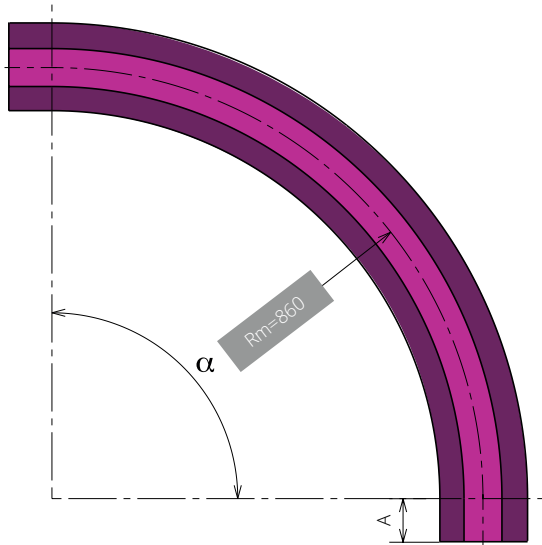


LEAD IN & OUT AVAILABLE IN
 125mm - 100mm - 50mm AND WITHOUT

Rm = 750mm - SINGLE TRACK

$\alpha 15^\circ$		$\alpha 30^\circ$		$\alpha 45^\circ$	
CODE	DESCRIPTION	CODE	DESCRIPTION	CODE	DESCRIPTION
G00008-a1-T1-B1-Rm4-P0-L0	15°-1T-100w-750CL-0L-MAG	G00008-a2-T1-B1-Rm4-P0-L0	30°-1T-100w-750CL-0L-MAG	G00008-a3-T1-B1-Rm4-P0-L0	45°-1T-100w-750CL-0L-MAG
G00008-a1-T1-B1-Rm4-P0-L1	15°-1T-100w-750CL-50L-MAG	G00008-a2-T1-B1-Rm4-P0-L1	30°-1T-100w-750CL-50L-MAG	G00008-a3-T1-B1-Rm4-P0-L1	45°-1T-100w-750CL-50L-MAG
G00008-a1-T1-B1-Rm4-P0-L2	15°-1T-100w-750CL-100L-MAG	G00008-a2-T1-B1-Rm4-P0-L2	30°-1T-100w-750CL-100L-MAG	G00008-a3-T1-B1-Rm4-P0-L2	45°-1T-100w-750CL-100L-MAG
G00008-a1-T1-B1-Rm4-P0-L3	15°-1T-100w-750CL-125L-MAG	G00008-a2-T1-B1-Rm4-P0-L3	30°-1T-100w-750CL-125L-MAG	G00008-a3-T1-B1-Rm4-P0-L3	45°-1T-100w-750CL-125L-MAG
$\alpha 60^\circ$		$\alpha 75^\circ$		$\alpha 90^\circ$	
CODE	DESCRIPTION	CODE	DESCRIPTION	CODE	DESCRIPTION
G00008-a4-T1-B1-Rm4-P0-L0	60°-1T-100w-750CL-0L-MAG	G00008-a5-T1-B1-Rm4-P0-L0	75°-1T-100w-750CL-0L-MAG	G00008-a6-T1-B1-Rm4-P0-L0	90°-1T-100w-750CL-0L-MAG
G00008-a4-T1-B1-Rm4-P0-L1	60°-1T-100w-750CL-50L-MAG	G00008-a5-T1-B1-Rm4-P0-L1	75°-1T-100w-750CL-50L-MAG	G00008-a6-T1-B1-Rm4-P0-L1	90°-1T-100w-750CL-50L-MAG
G00008-a4-T1-B1-Rm4-P0-L2	60°-1T-100w-750CL-100L-MAG	G00008-a5-T1-B1-Rm4-P0-L2	75°-1T-100w-750CL-100L-MAG	G00008-a6-T1-B1-Rm4-P0-L2	90°-1T-100w-750CL-100L-MAG
G00008-a4-T1-B1-Rm4-P0-L3	60°-1T-100w-750CL-125L-MAG	G00008-a5-T1-B1-Rm4-P0-L3	75°-1T-100w-750CL-125L-MAG	G00008-a6-T1-B1-Rm4-P0-L3	90°-1T-100w-750CL-125L-MAG

NON STANDARD SIZES ARE AVAILABLE ON REQUEST.
 STANDARD ORDER QTY: PER SET



LEAD IN & OUT AVAILABLE IN
 125mm - 100mm - 50mm AND WITHOUT

Rm = 860mm - SINGLE TRACK

$\alpha 15^\circ$		$\alpha 30^\circ$		$\alpha 45^\circ$	
CODE	DESCRIPTION	CODE	DESCRIPTION	CODE	DESCRIPTION
G00008-a1-T1-B1-Rm5-P0-L0	15°-1T-100w-860CL-0L-MAG	G00008-a2-T1-B1-Rm5-P0-L0	30°-1T-100w-860CL-0L-MAG	G00008-a3-T1-B1-Rm5-P0-L0	45°-1T-100w-860CL-0L-MAG
G00008-a1-T1-B1-Rm5-P0-L1	15°-1T-100w-860CL-50L-MAG	G00008-a2-T1-B1-Rm5-P0-L1	30°-1T-100w-860CL-50L-MAG	G00008-a3-T1-B1-Rm5-P0-L1	45°-1T-100w-860CL-50L-MAG
G00008-a1-T1-B1-Rm5-P0-L2	15°-1T-100w-860CL-100L-MAG	G00008-a2-T1-B1-Rm5-P0-L2	30°-1T-100w-860CL-100L-MAG	G00008-a3-T1-B1-Rm5-P0-L2	45°-1T-100w-860CL-100L-MAG
G00008-a1-T1-B1-Rm5-P0-L3	15°-1T-100w-860CL-125L-MAG	G00008-a2-T1-B1-Rm5-P0-L3	30°-1T-100w-860CL-125L-MAG	G00008-a3-T1-B1-Rm5-P0-L3	45°-1T-100w-860CL-125L-MAG
$\alpha 60^\circ$		$\alpha 75^\circ$		$\alpha 90^\circ$	
CODE	DESCRIPTION	CODE	DESCRIPTION	CODE	DESCRIPTION
G00008-a4-T1-B1-Rm5-P0-L0	60°-1T-100w-860CL-0L-MAG	G00008-a5-T1-B1-Rm5-P0-L0	75°-1T-100w-860CL-0L-MAG	G00008-a6-T1-B1-Rm5-P0-L0	90°-1T-100w-860CL-0L-MAG
G00008-a4-T1-B1-Rm5-P0-L1	60°-1T-100w-860CL-50L-MAG	G00008-a5-T1-B1-Rm5-P0-L1	75°-1T-100w-860CL-50L-MAG	G00008-a6-T1-B1-Rm5-P0-L1	90°-1T-100w-860CL-50L-MAG
G00008-a4-T1-B1-Rm5-P0-L2	60°-1T-100w-860CL-100L-MAG	G00008-a5-T1-B1-Rm5-P0-L2	75°-1T-100w-860CL-100L-MAG	G00008-a6-T1-B1-Rm5-P0-L2	90°-1T-100w-860CL-100L-MAG
G00008-a4-T1-B1-Rm5-P0-L3	60°-1T-100w-860CL-125L-MAG	G00008-a5-T1-B1-Rm5-P0-L3	75°-1T-100w-860CL-125L-MAG	G00008-a6-T1-B1-Rm5-P0-L3	90°-1T-100w-860CL-125L-MAG

NON STANDARD SIZES ARE AVAILABLE ON REQUEST.
 STANDARD ORDER QTY: PER SET



CHAINS/BELTS
 PG. E44 - E45



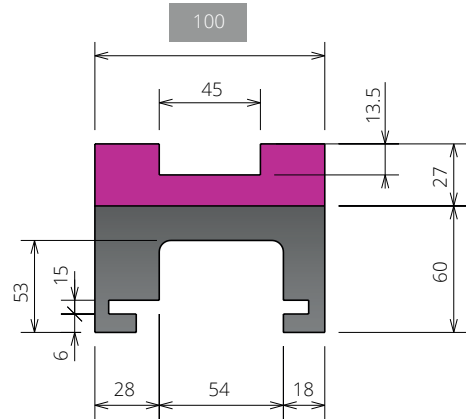
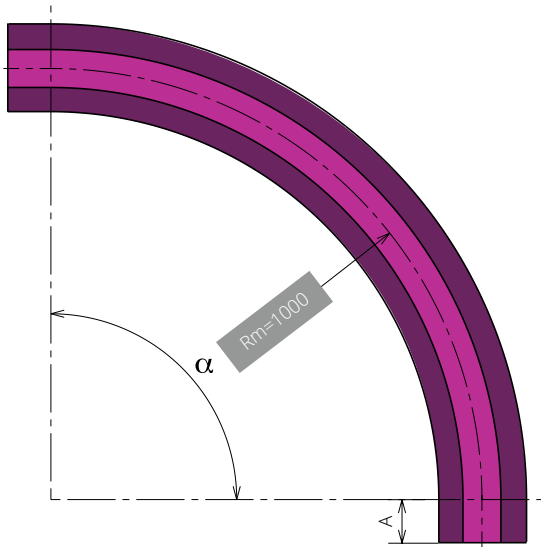
MATERIALS



TABLE OF
 CONTENTS



BACK TO CORNER TRACKS/
 CURVES/BENDS INDEX (G)

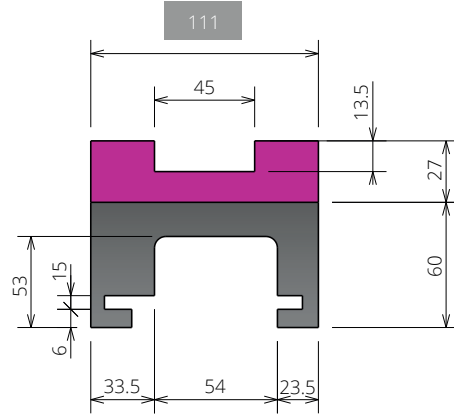
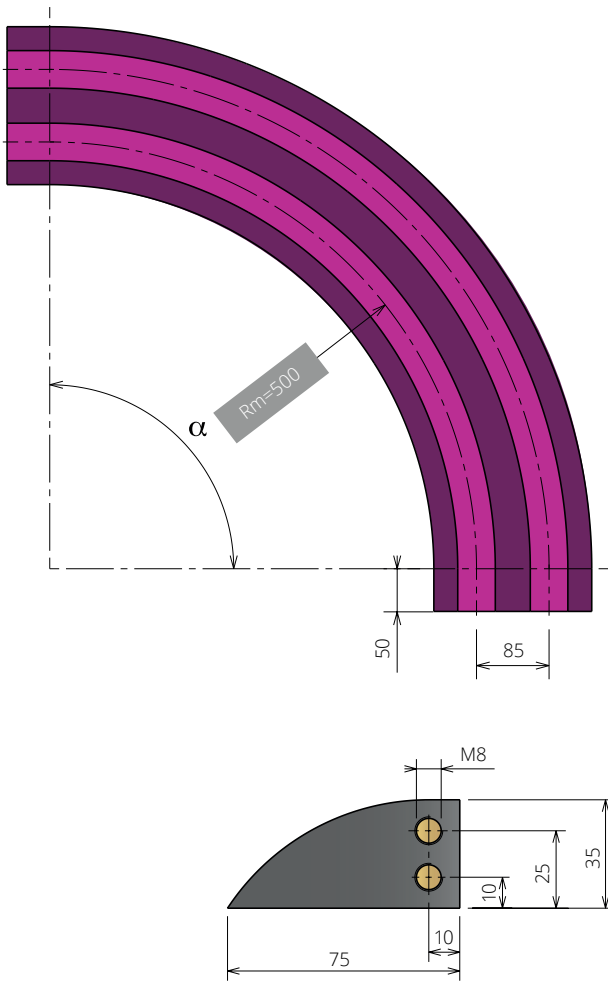


LEAD IN & OUT AVAILABLE IN
 125mm - 100mm - 50mm AND WITHOUT

Rm = 1000mm - SINGLE TRACK

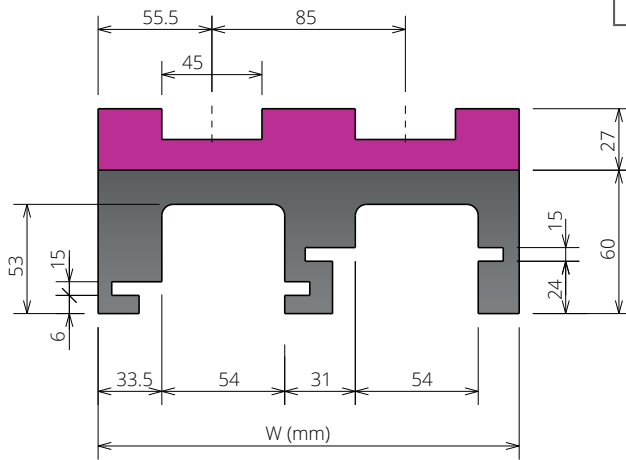
$\alpha 15^\circ$		$\alpha 30^\circ$		$\alpha 45^\circ$	
CODE	DESCRIPTION	CODE	DESCRIPTION	CODE	DESCRIPTION
G00008-a1-T1-B1-Rm6-P0-L0	15°-1T-100w-1000CL-0L-MAG	G00008-a2-T1-B1-Rm6-P0-L0	30°-1T-100w-1000CL-0L-MAG	G00008-a3-T1-B1-Rm6-P0-L0	45°-1T-100w-1000CL-0L-MAG
G00008-a1-T1-B1-Rm6-P0-L1	15°-1T-100w-1000CL-50L-MAG	G00008-a2-T1-B1-Rm6-P0-L1	30°-1T-100w-1000CL-50L-MAG	G00008-a3-T1-B1-Rm6-P0-L1	45°-1T-100w-1000CL-50L-MAG
G00008-a1-T1-B1-Rm6-P0-L2	15°-1T-100w-1000CL-100L-MAG	G00008-a2-T1-B1-Rm6-P0-L2	30°-1T-100w-1000CL-100L-MAG	G00008-a3-T1-B1-Rm6-P0-L2	45°-1T-100w-1000CL-100L-MAG
G00008-a1-T1-B1-Rm6-P0-L3	15°-1T-100w-1000CL-125L-MAG	G00008-a2-T1-B1-Rm6-P0-L3	30°-1T-100w-1000CL-125L-MAG	G00008-a3-T1-B1-Rm6-P0-L3	45°-1T-100w-1000CL-125L-MAG
$\alpha 60^\circ$		$\alpha 75^\circ$		$\alpha 90^\circ$	
CODE	DESCRIPTION	CODE	DESCRIPTION	CODE	DESCRIPTION
G00008-a4-T1-B1-Rm6-P0-L0	60°-1T-100w-1000CL-0L-MAG	G00008-a5-T1-B1-Rm6-P0-L0	75°-1T-100w-1000CL-0L-MAG	G00008-a6-T1-B1-Rm6-P0-L0	90°-1T-100w-1000CL-0L-MAG
G00008-a4-T1-B1-Rm6-P0-L1	60°-1T-100w-1000CL-50L-MAG	G00008-a5-T1-B1-Rm6-P0-L1	75°-1T-100w-1000CL-50L-MAG	G00008-a6-T1-B1-Rm6-P0-L1	90°-1T-100w-1000CL-50L-MAG
G00008-a4-T1-B1-Rm6-P0-L2	60°-1T-100w-1000CL-100L-MAG	G00008-a5-T1-B1-Rm6-P0-L2	75°-1T-100w-1000CL-100L-MAG	G00008-a6-T1-B1-Rm6-P0-L2	90°-1T-100w-1000CL-100L-MAG
G00008-a4-T1-B1-Rm6-P0-L3	60°-1T-100w-1000CL-125L-MAG	G00008-a5-T1-B1-Rm6-P0-L3	75°-1T-100w-1000CL-125L-MAG	G00008-a6-T1-B1-Rm6-P0-L3	90°-1T-100w-1000CL-125L-MAG

NON STANDARD SIZES ARE AVAILABLE ON REQUEST.
 STANDARD ORDER QTY: PER SET



SINGLE TRACK - G00008-a6-T1-B3-Rm1-P0-L1

TRACKS	W
1	111
2	196
3	281
4	366
5	451
6	536
7	621
8	706



MULTI TRACK - G00008-a6-T2-B3-Rm1-P1-L1

Rm = 500mm - MULTI TRACK - 50mm LEAD IN / LEAD OUT

$\alpha 15^\circ$		$\alpha 30^\circ$		$\alpha 45^\circ$	
CODE	DESCRIPTION	CODE	DESCRIPTION	CODE	DESCRIPTION
G00008-a1-T1-B3-Rm1-P0-L1	15°-1T-111w-500CL-50L-MAG	G00008-a2-T1-B3-Rm1-P0-L1	30°-1T-111w-500CL-50L-MAG	G00008-a3-T1-B3-Rm1-P0-L1	45°-1T-111w-500CL-0L-MAG
G00008-a1-T2-B3-Rm1-P1-L1	15°-2T-111w-500CL-P85-50L-MAG	G00008-a2-T2-B3-Rm1-P1-L1	30°-2T-111w-500CL-P85-50L-MAG	G00008-a3-T2-B3-Rm1-P1-L1	45°-2T-111w-500CL-P85-50L-MAG
G00008-a1-T3-B3-Rm1-P1-L1	15°-3T-111w-500CL-P85-50L-MAG	G00008-a2-T3-B3-Rm1-P1-L1	30°-3T-111w-500CL-P85-50L-MAG	G00008-a3-T3-B3-Rm1-P1-L1	45°-3T-111w-500CL-P85-50L-MAG
G00008-a1-T4-B3-Rm1-P1-L1	15°-4T-111w-500CL-P85-50L-MAG	G00008-a2-T4-B3-Rm1-P1-L1	30°-4T-111w-500CL-P85-50L-MAG	G00008-a3-T4-B3-Rm1-P1-L1	45°-4T-111w-500CL-P85-50L-MAG
G00008-a1-T5-B3-Rm1-P1-L1	15°-5T-111w-500CL-P85-50L-MAG	G00008-a2-T5-B3-Rm1-P1-L1	30°-5T-111w-500CL-P85-50L-MAG	G00008-a3-T5-B3-Rm1-P1-L1	45°-5T-111w-500CL-P85-50L-MAG
G00008-a1-T6-B3-Rm1-P1-L1	15°-6T-111w-500CL-P85-50L-MAG	G00008-a2-T6-B3-Rm1-P1-L1	30°-6T-111w-500CL-P85-50L-MAG	G00008-a3-T6-B3-Rm1-P1-L1	45°-6T-111w-500CL-P85-50L-MAG
G00008-a1-T7-B3-Rm1-P1-L1	15°-7T-111w-500CL-P85-50L-MAG	G00008-a2-T7-B3-Rm1-P1-L1	30°-7T-111w-500CL-P85-50L-MAG	G00008-a3-T7-B3-Rm1-P1-L1	45°-7T-111w-500CL-P85-50L-MAG
G00008-a1-T8-B3-Rm1-P1-L1	15°-8T-111w-500CL-P85-50L-MAG	G00008-a2-T8-B3-Rm1-P1-L1	30°-8T-111w-500CL-P85-50L-MAG	G00008-a3-T8-B3-Rm1-P1-L1	45°-8T-111w-500CL-P85-50L-MAG
$\alpha 60^\circ$		$\alpha 75^\circ$		$\alpha 90^\circ$	
CODE	DESCRIPTION	CODE	DESCRIPTION	CODE	DESCRIPTION
G00008-a4-T1-B3-Rm1-P0-L1	60°-1T-111w-500CL-50L-MAG	G00008-a5-T1-B3-Rm1-P0-L1	75°-1T-111w-500CL-50L-MAG	G00008-a6-T1-B3-Rm1-P0-L1	90°-1T-111w-500CL-50L-MAG
G00008-a4-T2-B3-Rm1-P1-L1	60°-2T-111w-500CL-P85-50L-MAG	G00008-a5-T2-B3-Rm1-P1-L1	75°-2T-111w-500CL-P85-50L-MAG	G00008-a6-T2-B3-Rm1-P1-L1	90°-2T-111w-500CL-P85-50L-MAG
G00008-a4-T3-B3-Rm1-P1-L1	60°-3T-111w-500CL-P85-50L-MAG	G00008-a5-T3-B3-Rm1-P1-L1	75°-3T-111w-500CL-P85-50L-MAG	G00008-a6-T3-B3-Rm1-P1-L1	90°-3T-111w-500CL-P85-50L-MAG
G00008-a4-T4-B3-Rm1-P1-L1	60°-4T-111w-500CL-P85-50L-MAG	G00008-a5-T4-B3-Rm1-P1-L1	75°-4T-111w-500CL-P85-50L-MAG	G00008-a6-T4-B3-Rm1-P1-L1	90°-4T-111w-500CL-P85-50L-MAG
G00008-a4-T5-B3-Rm1-P1-L1	60°-5T-111w-500CL-P85-50L-MAG	G00008-a5-T5-B3-Rm1-P1-L1	75°-5T-111w-500CL-P85-50L-MAG	G00008-a6-T5-B3-Rm1-P1-L1	90°-5T-111w-500CL-P85-50L-MAG
G00008-a4-T6-B3-Rm1-P1-L1	60°-6T-111w-500CL-P85-50L-MAG	G00008-a5-T6-B3-Rm1-P1-L1	75°-6T-111w-500CL-P85-50L-MAG	G00008-a6-T6-B3-Rm1-P1-L1	90°-6T-111w-500CL-P85-50L-MAG
G00008-a4-T7-B3-Rm1-P1-L1	60°-7T-111w-500CL-P85-50L-MAG	G00008-a5-T7-B3-Rm1-P1-L1	75°-7T-111w-500CL-P85-50L-MAG	G00008-a6-T7-B3-Rm1-P1-L1	90°-7T-111w-500CL-P85-50L-MAG
G00008-a4-T8-B3-Rm1-P1-L1	60°-8T-111w-500CL-P85-50L-MAG	G00008-a5-T8-B3-Rm1-P1-L1	75°-8T-111w-500CL-P85-50L-MAG	G00008-a6-T8-B3-Rm1-P1-L1	90°-8T-111w-500CL-P85-50L-MAG

NON STANDARD SIZES ARE AVAILABLE ON REQUEST | STANDARD ORDER QTY: PER SET



CHAINS/BELTS
PG. E44 - E45



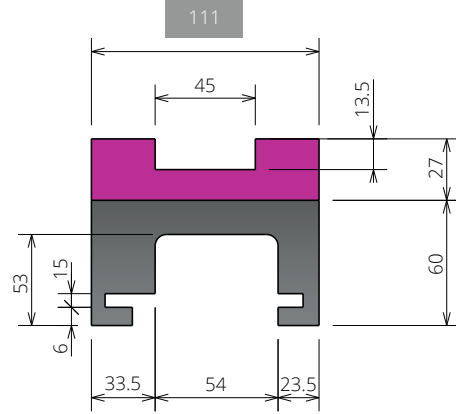
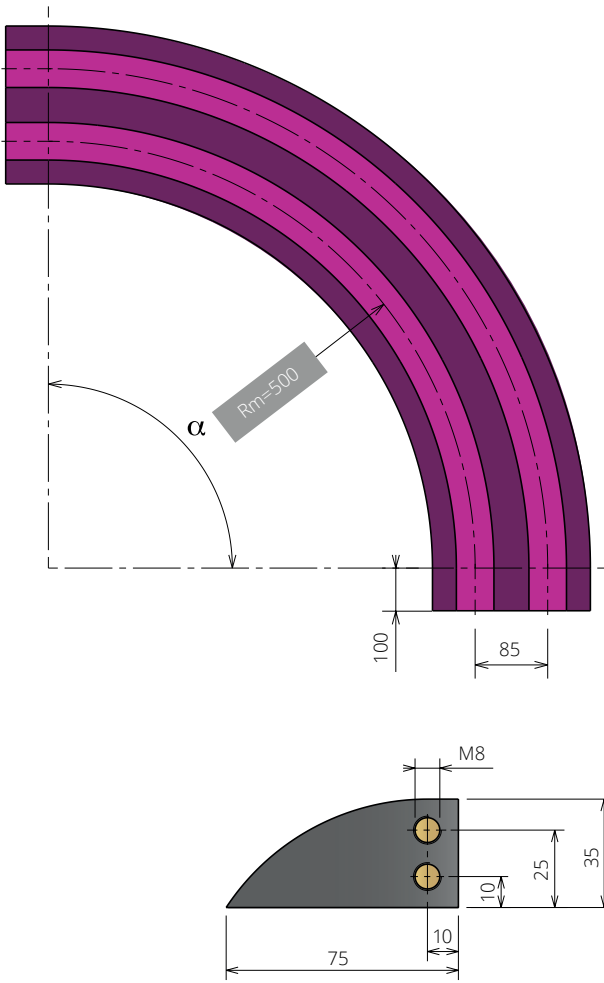
MATERIALS



TABLE OF
CONTENTS

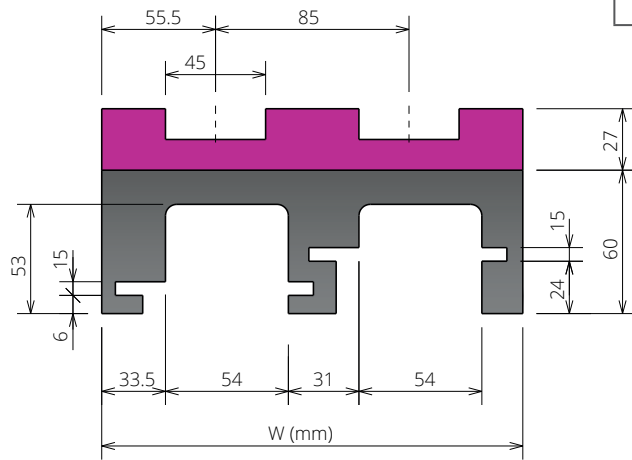


BACK TO CORNER TRACKS/
CURVES/BENDS INDEX (G)



SINGLE TRACK - G00008-a6-T1-B3-Rm1-P0-L2

TRACKS	W
1	111
2	196
3	281
4	366
5	451
6	536
7	621
8	706



MULTI TRACK - G00008-a6-T2-B3-Rm1-P1-L2

Rm = 500mm - MULTI TRACK - 100mm LEAD IN / LEAD OUT

$\alpha 15^\circ$		$\alpha 30^\circ$		$\alpha 45^\circ$	
CODE	DESCRIPTION	CODE	DESCRIPTION	CODE	DESCRIPTION
G00008-a1-T1-B3-Rm1-P0-L2	15°-1T-111w-500CL-100L-MAG	G00008-a2-T1-B3-Rm1-P0-L2	30°-1T-111w-500CL-100L-MAG	G00008-a3-T1-B3-Rm1-P0-L2	45°-1T-111w-500CL-100L-MAG
G00008-a1-T2-B3-Rm1-P1-L2	15°-2T-111w-500CL-P85-100L-MAG	G00008-a2-T2-B3-Rm1-P1-L2	30°-2T-111w-500CL-P85-100L-MAG	G00008-a3-T2-B3-Rm1-P1-L2	45°-2T-111w-500CL-P85-100L-MAG
G00008-a1-T3-B3-Rm1-P1-L2	15°-3T-111w-500CL-P85-100L-MAG	G00008-a2-T3-B3-Rm1-P1-L2	30°-3T-111w-500CL-P85-100L-MAG	G00008-a3-T3-B3-Rm1-P1-L2	45°-3T-111w-500CL-P85-100L-MAG
G00008-a1-T4-B3-Rm1-P1-L2	15°-4T-111w-500CL-P85-100L-MAG	G00008-a2-T4-B3-Rm1-P1-L2	30°-4T-111w-500CL-P85-100L-MAG	G00008-a3-T4-B3-Rm1-P1-L2	45°-4T-111w-500CL-P85-100L-MAG
G00008-a1-T5-B3-Rm1-P1-L2	15°-5T-111w-500CL-P85-100L-MAG	G00008-a2-T5-B3-Rm1-P1-L2	30°-5T-111w-500CL-P85-100L-MAG	G00008-a3-T5-B3-Rm1-P1-L2	45°-5T-111w-500CL-P85-100L-MAG
G00008-a1-T6-B3-Rm1-P1-L2	15°-6T-111w-500CL-P85-100L-MAG	G00008-a2-T6-B3-Rm1-P1-L2	30°-6T-111w-500CL-P85-100L-MAG	G00008-a3-T6-B3-Rm1-P1-L2	45°-6T-111w-500CL-P85-100L-MAG
G00008-a1-T7-B3-Rm1-P1-L2	15°-7T-111w-500CL-P85-100L-MAG	G00008-a2-T7-B3-Rm1-P1-L2	30°-7T-111w-500CL-P85-100L-MAG	G00008-a3-T7-B3-Rm1-P1-L2	45°-7T-111w-500CL-P85-100L-MAG
G00008-a1-T8-B3-Rm1-P1-L2	15°-8T-111w-500CL-P85-100L-MAG	G00008-a2-T8-B3-Rm1-P1-L2	30°-8T-111w-500CL-P85-100L-MAG	G00008-a3-T8-B3-Rm1-P1-L2	45°-8T-111w-500CL-P85-100L-MAG
$\alpha 60^\circ$		$\alpha 75^\circ$		$\alpha 90^\circ$	
CODE	DESCRIPTION	CODE	DESCRIPTION	CODE	DESCRIPTION
G00008-a4-T1-B3-Rm1-P0-L2	60°-1T-111w-500CL-100L-MAG	G00008-a5-T1-B3-Rm1-P0-L2	75°-1T-111w-500CL-100L-MAG	G00008-a6-T1-B3-Rm1-P0-L2	90°-1T-111w-500CL-100L-MAG
G00008-a4-T2-B3-Rm1-P1-L2	60°-2T-111w-500CL-P85-100L-MAG	G00008-a5-T2-B3-Rm1-P1-L2	75°-2T-111w-500CL-P85-100L-MAG	G00008-a6-T2-B3-Rm1-P1-L2	90°-2T-111w-500CL-P85-100L-MAG
G00008-a4-T3-B3-Rm1-P1-L2	60°-3T-111w-500CL-P85-100L-MAG	G00008-a5-T3-B3-Rm1-P1-L2	75°-3T-111w-500CL-P85-100L-MAG	G00008-a6-T3-B3-Rm1-P1-L2	90°-3T-111w-500CL-P85-100L-MAG
G00008-a4-T4-B3-Rm1-P1-L2	60°-4T-111w-500CL-P85-100L-MAG	G00008-a5-T4-B3-Rm1-P1-L2	75°-4T-111w-500CL-P85-100L-MAG	G00008-a6-T4-B3-Rm1-P1-L2	90°-4T-111w-500CL-P85-100L-MAG
G00008-a4-T5-B3-Rm1-P1-L2	60°-5T-111w-500CL-P85-100L-MAG	G00008-a5-T5-B3-Rm1-P1-L2	75°-5T-111w-500CL-P85-100L-MAG	G00008-a6-T5-B3-Rm1-P1-L2	90°-5T-111w-500CL-P85-100L-MAG
G00008-a4-T6-B3-Rm1-P1-L2	60°-6T-111w-500CL-P85-100L-MAG	G00008-a5-T6-B3-Rm1-P1-L2	75°-6T-111w-500CL-P85-100L-MAG	G00008-a6-T6-B3-Rm1-P1-L2	90°-6T-111w-500CL-P85-100L-MAG
G00008-a4-T7-B3-Rm1-P1-L2	60°-7T-111w-500CL-P85-100L-MAG	G00008-a5-T7-B3-Rm1-P1-L2	75°-7T-111w-500CL-P85-100L-MAG	G00008-a6-T7-B3-Rm1-P1-L2	90°-7T-111w-500CL-P85-100L-MAG
G00008-a4-T8-B3-Rm1-P1-L2	60°-8T-111w-500CL-P85-100L-MAG	G00008-a5-T8-B3-Rm1-P1-L2	75°-8T-111w-500CL-P85-100L-MAG	G00008-a6-T8-B3-Rm1-P1-L2	90°-8T-111w-500CL-P85-100L-MAG

NON STANDARD SIZES ARE AVAILABLE ON REQUEST | STANDARD ORDER QTY: PER SET



CHAINS/BELTS
PG. E44 - E45



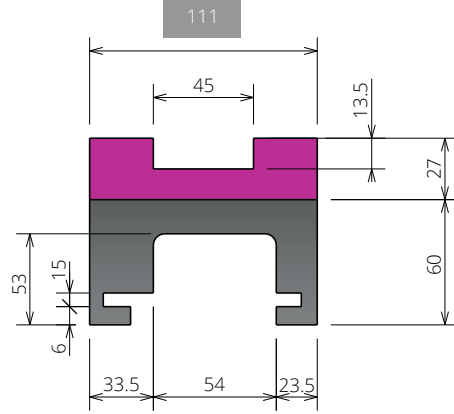
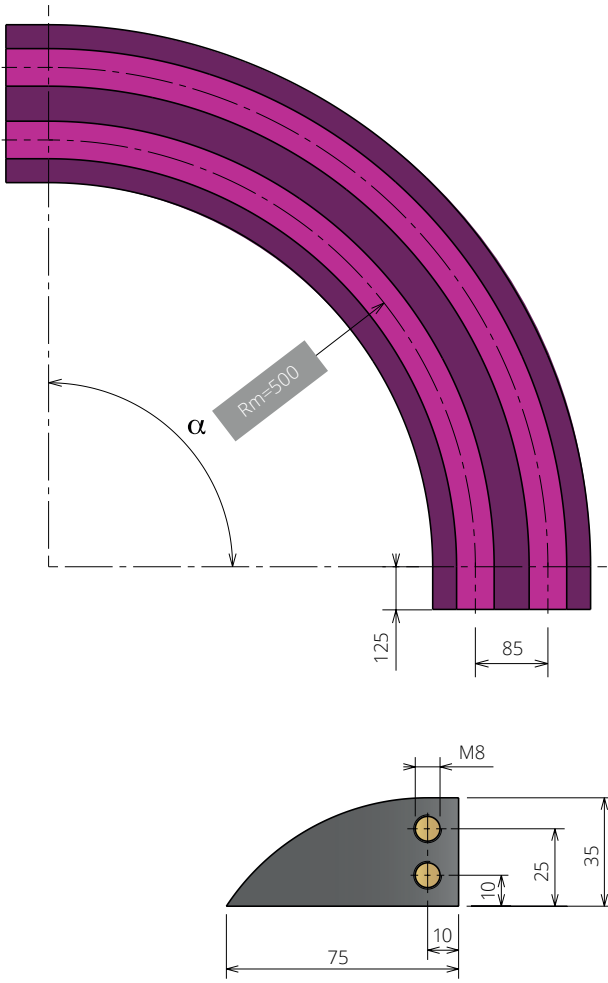
MATERIALS



TABLE OF
CONTENTS

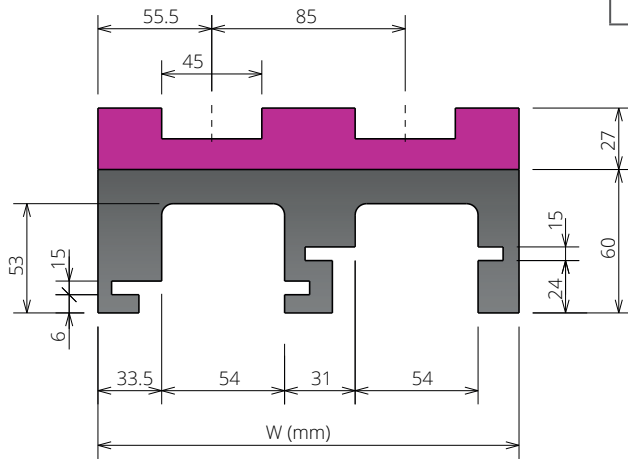


BACK TO CORNER TRACKS/
CURVES/BENDS INDEX (G)



SINGLE TRACK - G00008-a6-T1-B3-Rm1-P0-L3

TRACKS	W
1	111
2	196
3	281
4	366
5	451
6	536
7	621
8	706



MULTI TRACK - G00008-a6-T2-B3-Rm1-P1-L3

Rm = 500mm - MULTI TRACK - 125mm LEAD IN / LEAD OUT

$\alpha 15^\circ$		$\alpha 30^\circ$		$\alpha 45^\circ$	
CODE	DESCRIPTION	CODE	DESCRIPTION	CODE	DESCRIPTION
G00008-a1-T1-B3-Rm1-P0-L3	15°-1T-111w-500CL-125L-MAG	G00008-a2-T1-B3-Rm1-P0-L3	30° - 1T-111w-500CL-125L-MAG	G00008-a3-T1-B3-Rm1-P0-L3	45°-1T-111w-500CL-125L-MAG
G00008-a1-T2-B3-Rm1-P1-L3	15°-2T-111w-500CL-P85-125L-MAG	G00008-a2-T2-B3-Rm1-P1-L3	30°-2T-111w-500CL-P85-125L-MAG	G00008-a3-T2-B3-Rm1-P1-L3	45°-2T-111w-500CL-P85-125L-MAG
G00008-a1-T3-B3-Rm1-P1-L3	15°-3T-111w-500CL-P85-125L-MAG	G00008-a2-T3-B3-Rm1-P1-L3	30°-3T-111w-500CL-P85-125L-MAG	G00008-a3-T3-B3-Rm1-P1-L3	45°-3T-111w-500CL-P85-125L-MAG
G00008-a1-T4-B3-Rm1-P1-L3	15°-4T-111w-500CL-P85-125L-MAG	G00008-a2-T4-B3-Rm1-P1-L3	30°-4T-111w-500CL-P85-125L-MAG	G00008-a3-T4-B3-Rm1-P1-L3	45°-4T-111w-500CL-P85-125L-MAG
G00008-a1-T5-B3-Rm1-P1-L3	15°-5T-111w-500CL-P85-125L-MAG	G00008-a2-T5-B3-Rm1-P1-L3	30°-5T-111w-500CL-P85-125L-MAG	G00008-a3-T5-B3-Rm1-P1-L3	45°-5T-111w-500CL-P85-125L-MAG
G00008-a1-T6-B3-Rm1-P1-L3	15°-6T-111w-500CL-P85-125L-MAG	G00008-a2-T6-B3-Rm1-P1-L3	30°-6T-111w-500CL-P85-125L-MAG	G00008-a3-T6-B3-Rm1-P1-L3	45°-6T-111w-500CL-P85-125L-MAG
G00008-a1-T7-B3-Rm1-P1-L3	15°-7T-111w-500CL-P85-125L-MAG	G00008-a2-T7-B3-Rm1-P1-L3	30°-7T-111w-500CL-P85-125L-MAG	G00008-a3-T7-B3-Rm1-P1-L3	45°-7T-111w-500CL-P85-125L-MAG
G00008-a1-T8-B3-Rm1-P1-L3	15°-8T-111w-500CL-P85-125L-MAG	G00008-a2-T8-B3-Rm1-P1-L3	30°-8T-111w-500CL-P85-125L-MAG	G00008-a3-T8-B3-Rm1-P1-L3	45°-8T-111w-500CL-P85-125L-MAG
$\alpha 60^\circ$		$\alpha 75^\circ$		$\alpha 90^\circ$	
CODE	DESCRIPTION	CODE	DESCRIPTION	CODE	DESCRIPTION
G00008-a4-T1-B3-Rm1-P0-L3	60°-1T-111w-500CL-125L-MAG	G00008-a5-T1-B3-Rm1-P0-L3	75°-1T-111w-500CL-125L-MAG	G00008-a6-T1-B3-Rm1-P0-L3	90°-1T-111w-500CL-125L-MAG
G00008-a4-T2-B3-Rm1-P1-L3	60°-2T-111w-500CL-P85-125L-MAG	G00008-a5-T2-B3-Rm1-P1-L3	75°-2T-111w-500CL-P85-125L-MAG	G00008-a6-T2-B3-Rm1-P1-L3	90°-2T-111w-500CL-P85-125L-MAG
G00008-a4-T3-B3-Rm1-P1-L3	60°-3T-111w-500CL-P85-125L-MAG	G00008-a5-T3-B3-Rm1-P1-L3	75°-3T-111w-500CL-P85-125L-MAG	G00008-a6-T3-B3-Rm1-P1-L3	90°-3T-111w-500CL-P85-125L-MAG
G00008-a4-T4-B3-Rm1-P1-L3	60°-4T-111w-500CL-P85-125L-MAG	G00008-a5-T4-B3-Rm1-P1-L3	75°-4T-111w-500CL-P85-125L-MAG	G00008-a6-T4-B3-Rm1-P1-L3	90°-4T-111w-500CL-P85-125L-MAG
G00008-a4-T5-B3-Rm1-P1-L3	60°-5T-111w-500CL-P85-125L-MAG	G00008-a5-T5-B3-Rm1-P1-L3	75°-5T-111w-500CL-P85-125L-MAG	G00008-a6-T5-B3-Rm1-P1-L3	90°-5T-111w-500CL-P85-125L-MAG
G00008-a4-T6-B3-Rm1-P1-L3	60°-6T-111w-500CL-P85-125L-MAG	G00008-a5-T6-B3-Rm1-P1-L3	75°-6T-111w-500CL-P85-125L-MAG	G00008-a6-T6-B3-Rm1-P1-L3	90°-6T-111w-500CL-P85-125L-MAG
G00008-a4-T7-B3-Rm1-P1-L3	60°-7T-111w-500CL-P85-125L-MAG	G00008-a5-T7-B3-Rm1-P1-L3	75°-7T-111w-500CL-P85-125L-MAG	G00008-a6-T7-B3-Rm1-P1-L3	90°-7T-111w-500CL-P85-125L-MAG
G00008-a4-T8-B3-Rm1-P1-L3	60°-8T-111w-500CL-P85-125L-MAG	G00008-a5-T8-B3-Rm1-P1-L3	75°-8T-111w-500CL-P85-125L-MAG	G00008-a6-T8-B3-Rm1-P1-L3	90°-8T-111w-500CL-P85-125L-MAG

NON STANDARD SIZES ARE AVAILABLE ON REQUEST | STANDARD ORDER QTY: PER SET



CHAINS/BELTS
PG. E44 - E45



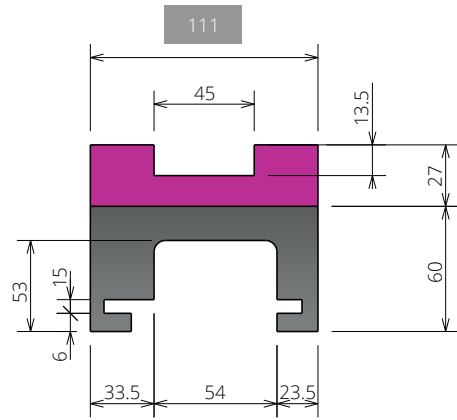
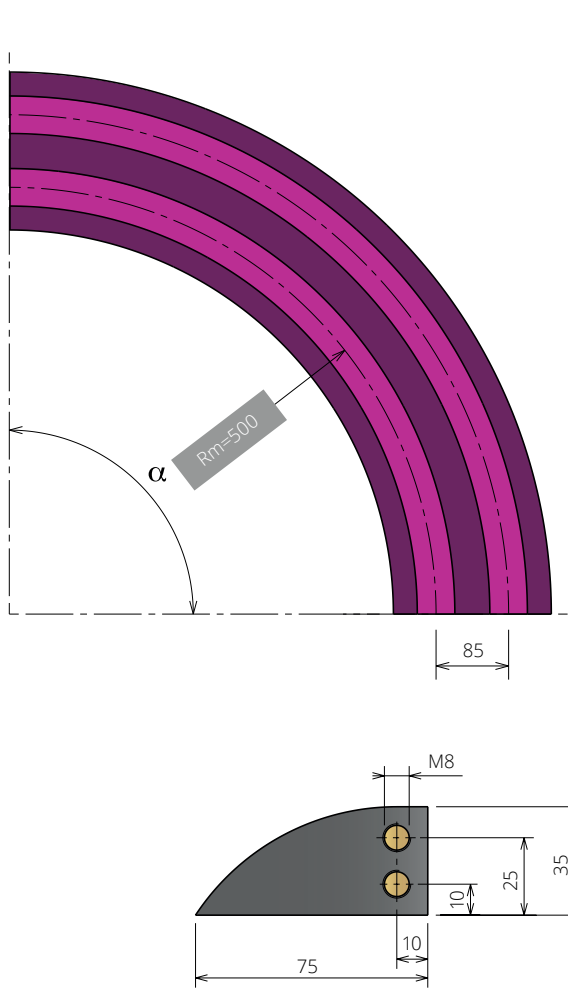
MATERIALS



TABLE OF
CONTENTS

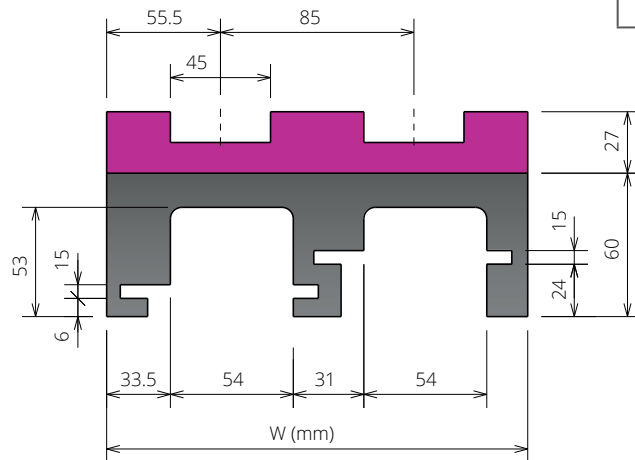


BACK TO CORNER TRACKS/
CURVES/BENDS INDEX (G)



SINGLE TRACK - G00008-a6-T1-B3-Rm1-P0-L0

TRACKS	W
1	111
2	196
3	281
4	366
5	451
6	536
7	621
8	706



MULTI TRACK - G00008-a6-T2-B3-Rm1-P1-L0

Rm = 500mm - MULTI TRACK - NO LEAD IN / LEAD OUT

α 15°		α 30°		α 45°	
CODE	DESCRIPTION	CODE	DESCRIPTION	CODE	DESCRIPTION
G00008-a1-T1-B3-Rm1-P0-L0	15°-1T-111w-500CL-0L-MAG	G00008-a2-T1-B3-Rm1-P0-L0	30°-1T-111w-500CL-0L-MAG	G00008-a3-T1-B3-Rm1-P0-L0	45°-1T-111w-500CL-0L-MAG
G00008-a1-T2-B3-Rm1-P1-L0	15°-2T-111w-500CL-P85-0L-MAG	G00008-a2-T2-B3-Rm1-P1-L0	30°-2T-111w-500CL-P85-0L-MAG	G00008-a3-T2-B3-Rm1-P1-L0	45°-2T-111w-500CL-P85-0L-MAG
G00008-a1-T3-B3-Rm1-P1-L0	15°-3T-111w-500CL-P85-0L-MAG	G00008-a2-T3-B3-Rm1-P1-L0	30°-3T-111w-500CL-P85-0L-MAG	G00008-a3-T3-B3-Rm1-P1-L0	45°-3T-111w-500CL-P85-0L-MAG
G00008-a1-T4-B3-Rm1-P1-L0	15°-4T-111w-500CL-P85-0L-MAG	G00008-a2-T4-B3-Rm1-P1-L0	30°-4T-111w-500CL-P85-0L-MAG	G00008-a3-T4-B3-Rm1-P1-L0	45°-4T-111w-500CL-P85-0L-MAG
G00008-a1-T5-B3-Rm1-P1-L0	15°-5T-111w-500CL-P85-0L-MAG	G00008-a2-T5-B3-Rm1-P1-L0	30°-5T-111w-500CL-P85-0L-MAG	G00008-a3-T5-B3-Rm1-P1-L0	45°-5T-111w-500CL-P85-0L-MAG
G00008-a1-T6-B3-Rm1-P1-L0	15°-6T-111w-500CL-P85-0L-MAG	G00008-a2-T6-B3-Rm1-P1-L0	30°-6T-111w-500CL-P85-0L-MAG	G00008-a3-T6-B3-Rm1-P1-L0	45°-6T-111w-500CL-P85-0L-MAG
G00008-a1-T7-B3-Rm1-P1-L0	15°-7T-111w-500CL-P85-0L-MAG	G00008-a2-T7-B3-Rm1-P1-L0	30°-7T-111w-500CL-P85-0L-MAG	G00008-a3-T7-B3-Rm1-P1-L0	45°-7T-111w-500CL-P85-0L-MAG
G00008-a1-T8-B3-Rm1-P1-L0	15°-8T-111w-500CL-P85-0L-MAG	G00008-a2-T8-B3-Rm1-P1-L0	30°-8T-111w-500CL-P85-0L-MAG	G00008-a3-T8-B3-Rm1-P1-L0	45°-8T-111w-500CL-P85-0L-MAG
α 60°		α 75°		α 90°	
CODE	DESCRIPTION	CODE	DESCRIPTION	CODE	DESCRIPTION
G00008-a4-T1-B3-Rm1-P0-L0	60°-1T-111w-500CL-0L-MAG	G00008-a5-T1-B3-Rm1-P0-L0	75°-1T-111w-500CL-0L-MAG	G00008-a6-T1-B3-Rm1-P0-L0	90°-1T-111w-500CL-0L-MAG
G00008-a4-T2-B3-Rm1-P1-L0	60°-2T-111w-500CL-P85-0L-MAG	G00008-a5-T2-B3-Rm1-P1-L0	75°-2T-111w-500CL-P85-0L-MAG	G00008-a6-T2-B3-Rm1-P1-L0	90°-2T-111w-500CL-P85-0L-MAG
G00008-a4-T3-B3-Rm1-P1-L0	60°-3T-111w-500CL-P85-0L-MAG	G00008-a5-T3-B3-Rm1-P1-L0	75°-3T-111w-500CL-P85-0L-MAG	G00008-a6-T3-B3-Rm1-P1-L0	90°-3T-111w-500CL-P85-0L-MAG
G00008-a4-T4-B3-Rm1-P1-L0	60°-4T-111w-500CL-P85-0L-MAG	G00008-a5-T4-B3-Rm1-P1-L0	75°-4T-111w-500CL-P85-0L-MAG	G00008-a6-T4-B3-Rm1-P1-L0	90°-4T-111w-500CL-P85-0L-MAG
G00008-a4-T5-B3-Rm1-P1-L0	60°-5T-111w-500CL-P85-0L-MAG	G00008-a5-T5-B3-Rm1-P1-L0	75°-5T-111w-500CL-P85-0L-MAG	G00008-a6-T5-B3-Rm1-P1-L0	90°-5T-111w-500CL-P85-0L-MAG
G00008-a4-T6-B3-Rm1-P1-L0	60°-6T-111w-500CL-P85-0L-MAG	G00008-a5-T6-B3-Rm1-P1-L0	75°-6T-111w-500CL-P85-0L-MAG	G00008-a6-T6-B3-Rm1-P1-L0	90°-6T-111w-500CL-P85-0L-MAG
G00008-a4-T7-B3-Rm1-P1-L0	60°-7T-111w-500CL-P85-0L-MAG	G00008-a5-T7-B3-Rm1-P1-L0	75°-7T-111w-500CL-P85-0L-MAG	G00008-a6-T7-B3-Rm1-P1-L0	90°-7T-111w-500CL-P85-0L-MAG
G00008-a4-T8-B3-Rm1-P1-L0	60°-8T-111w-500CL-P85-0L-MAG	G00008-a5-T8-B3-Rm1-P1-L0	75°-8T-111w-500CL-P85-0L-MAG	G00008-a6-T8-B3-Rm1-P1-L0	90°-8T-111w-500CL-P85-0L-MAG

NON STANDARD SIZES ARE AVAILABLE ON REQUEST | STANDARD ORDER QTY: PER SET



CHAINS/BELTS
PG. E44 - E45



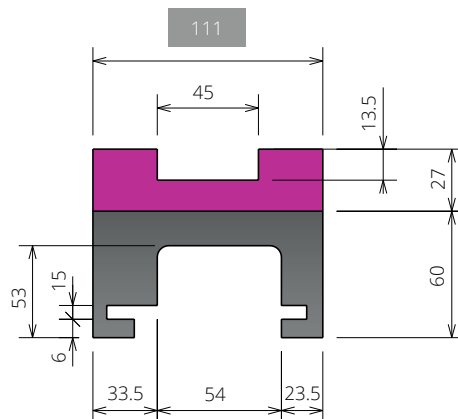
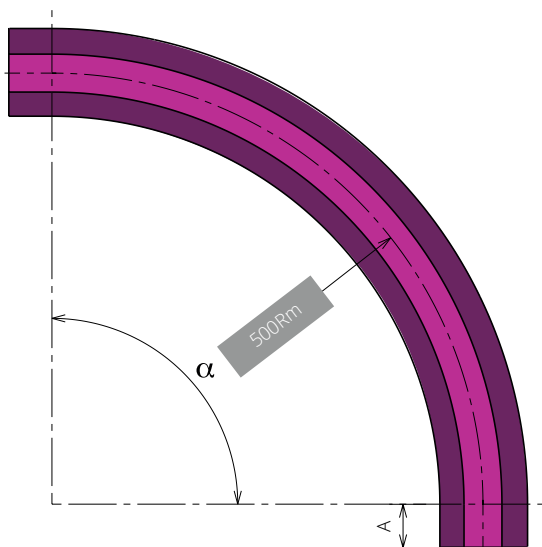
MATERIALS



TABLE OF
CONTENTS



BACK TO CORNER TRACKS/
CURVES/BENDS INDEX (G)



LEAD IN & OUT AVAILABLE IN
 125mm - 100mm - 50mm AND WITHOUT

Rm = 500mm - SINGLE TRACK

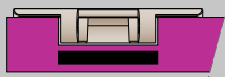
$\alpha 15^\circ$		$\alpha 30^\circ$		$\alpha 45^\circ$	
CODE	DESCRIPTION	CODE	DESCRIPTION	CODE	DESCRIPTION
G00008-a1-T1-B3-Rm1-P0-L0	15°-1T-111w-500CL-0L-MAG	G00008-a2-T1-B3-Rm1-P0-L0	30°-1T-111w-500CL-0L-MAG	G00008-a3-T1-B3-Rm1-P0-L0	45°-1T-111w-500CL-0L-MAG
G00008-a1-T1-B3-Rm1-P0-L1	15°-1T-111w-500CL-50L-MAG	G00008-a2-T1-B3-Rm1-P0-L1	30°-1T-111w-500CL-50L-MAG	G00008-a3-T1-B3-Rm1-P0-L1	45°-1T-111w-500CL-50L-MAG
G00008-a1-T1-B3-Rm1-P0-L2	15°-1T-111w-500CL-100L-MAG	G00008-a2-T1-B3-Rm1-P0-L2	30°-1T-111w-500CL-100L-MAG	G00008-a3-T1-B3-Rm1-P0-L2	45°-1T-111w-500CL-100L-MAG
G00008-a1-T1-B3-Rm1-P0-L3	15°-1T-111w-500CL-125L-MAG	G00008-a2-T1-B3-Rm1-P0-L3	30°-1T-111w-500CL-125L-MAG	G00008-a3-T1-B3-Rm1-P0-L3	45°-1T-111w-500CL-125L-MAG
$\alpha 60^\circ$		$\alpha 75^\circ$		$\alpha 90^\circ$	
CODE	DESCRIPTION	CODE	DESCRIPTION	CODE	DESCRIPTION
G00008-a4-T1-B3-Rm1-P0-L0	60°-1T-111w-500CL-0L-MAG	G00008-a5-T1-B3-Rm1-P0-L0	75°-1T-111w-500CL-0L-MAG	G00008-a6-T1-B3-Rm1-P0-L0	90°-1T-111w-500CL-0L-MAG
G00008-a4-T1-B3-Rm1-P0-L1	60°-1T-111w-500CL-50L-MAG	G00008-a5-T1-B3-Rm1-P0-L1	75°-1T-111w-500CL-50L-MAG	G00008-a6-T1-B3-Rm1-P0-L1	90°-1T-111w-500CL-50L-MAG
G00008-a4-T1-B3-Rm1-P0-L2	60°-1T-111w-500CL-100L-MAG	G00008-a5-T1-B3-Rm1-P0-L2	75°-1T-111w-500CL-100L-MAG	G00008-a6-T1-B3-Rm1-P0-L2	90°-1T-111w-500CL-100L-MAG
G00008-a4-T1-B3-Rm1-P0-L3	60°-1T-111w-500CL-125L-MAG	G00008-a5-T1-B3-Rm1-P0-L3	75°-1T-111w-500CL-125L-MAG	G00008-a6-T1-B3-Rm1-P0-L3	90°-1T-111w-500CL-125L-MAG

NON STANDARD SIZES ARE AVAILABLE ON REQUEST.
 STANDARD ORDER QTY: PER SET



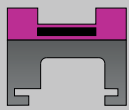
G00009

HEAVY DUTY K450 CORNER TRACKS / CURVES / BENDS MAGNETIC

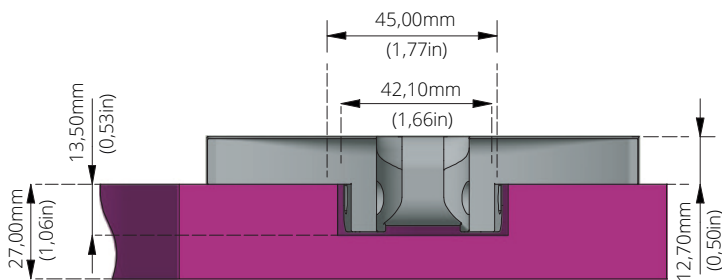


MAGNETIC

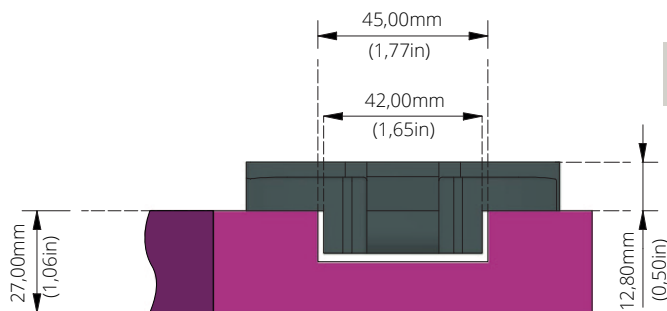
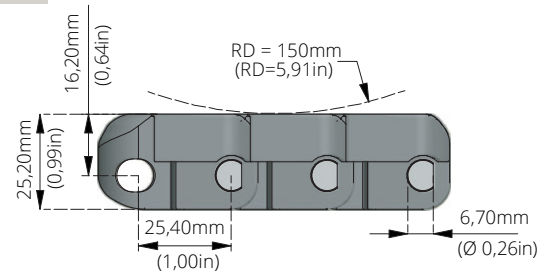
The magnetic corner track is the most effective and reliable system for the table top conveyor design.



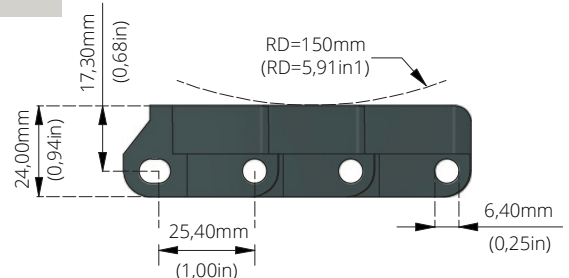
The magnets are carefully selected and positioned to provide the correct magnetic field to hold the chain on the corner track and this provides a flat carrying surface for the chain; thus, improving product stability and support for the product.



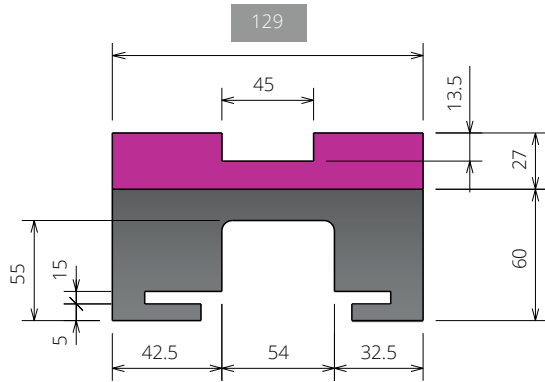
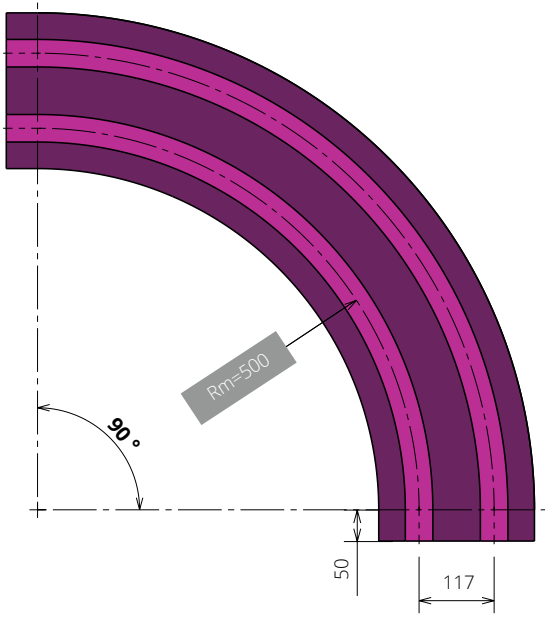
PG: E49



PG: E44-E45

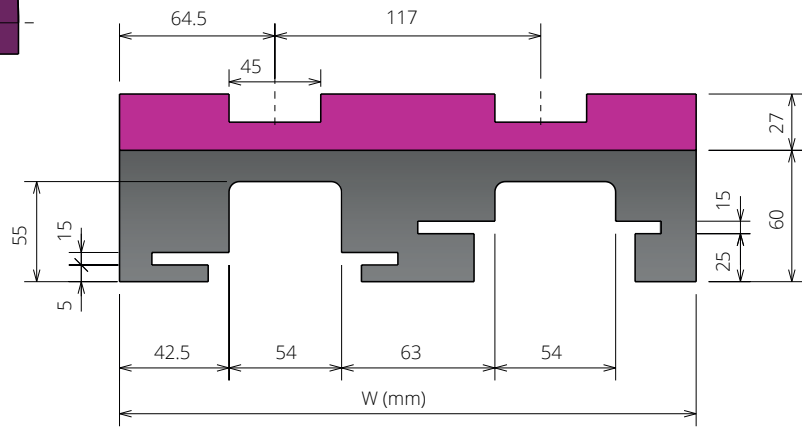
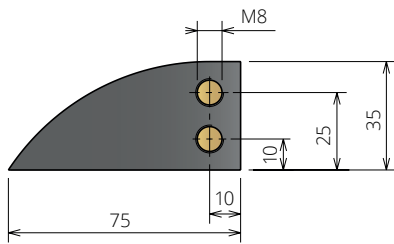


HD2540-FTM = 12.80mm TOP PLATE



SINGLE TRACK - G00009-a6-T1-B4-Rm1-P0-L1

TRACKS	W
1	129
2	246
3	363
4	480
5	597
6	714
7	831
8	948



MULTI TRACK - G00009-a6-T2-B4-Rm1-P4-L1

Rm = 610mm - MULTI TRACK - 50mm LEAD IN / LEAD OUT

α 15°		α 30°		α 45°	
CODE	DESCRIPTION	CODE	DESCRIPTION	CODE	DESCRIPTION
G00009-a1-T1-B4-Rm1-P0-L1	15°-1T-129w-500CL-50L-MAG	G00009-a2-T1-B4-Rm1-P0-L1	30°-1T-129w-500CL-50L-MAG	G00009-a3-T1-B4-Rm1-P0-L1	45°-1T-129w-500CL-50L-MAG
G00009-a1-T2-B4-Rm1-P4-L1	15°-2T-129w-500CL-P117-50L-MAG	G00009-a2-T2-B4-Rm1-P4-L1	30°-2T-129w-500CL-P117-50L-MAG	G00009-a3-T2-B4-Rm1-P4-L1	45°-2T-129w-500CL- P117-50L-MAG
G00009-a1-T3-B4-Rm1-P4-L1	15°-3T-129w-500CL-P117-50L-MAG	G00009-a2-T3-B4-Rm1-P4-L1	30°-3T-129w-500CL-P117-50L-MAG	G00009-a3-T3-B4-Rm1-P4-L1	45°-3T-129w-500CL- P117-50L-MAG
G00009-a1-T4-B4-Rm1-P4-L1	15°-4T-129w-500CL-P117-50L-MAG	G00009-a2-T4-B4-Rm1-P4-L1	30°-4T-129w-500CL-P117-50L-MAG	G00009-a3-T4-B4-Rm1-P4-L1	45°-4T-129w-500CL- P117-50L-MAG
G00009-a1-T5-B4-Rm1-P4-L1	15°-5T-129w-500CL-P117-50L-MAG	G00009-a2-T5-B4-Rm1-P4-L1	30°-5T-129w-500CL-P117-50L-MAG	G00009-a3-T5-B4-Rm1-P4-L1	45°-5T-129w-500CL- P117-50L-MAG
G00009-a1-T6-B4-Rm1-P4-L1	15°-6T-129w-500CL-P117-50L-MAG	G00009-a2-T6-B4-Rm1-P4-L1	30°-6T-129w-500CL-P117-50L-MAG	G00009-a3-T6-B4-Rm1-P4-L1	45°-6T-129w-500CL- P117-50L-MAG
G00009-a1-T7-B4-Rm1-P4-L1	15°-7T-129w-500CL-P117-50L-MAG	G00009-a2-T7-B4-Rm1-P4-L1	30°-7T-129w-500CL-P117-50L-MAG	G00009-a3-T7-B4-Rm1-P4-L1	45°-7T-129w-500CL- P117-50L-MAG
G00009-a1-T8-B4-Rm1-P4-L1	15°-8T-129w-500CL-P117-50L-MAG	G00009-a2-T8-B4-Rm1-P4-L1	30°-8T-129w-500CL-P117-50L-MAG	G00009-a3-T8-B4-Rm1-P4-L1	45°-8T-129w-500CL- P117-50L-MAG
α 60°		α 75°		α 90°	
CODE	DESCRIPTION	CODE	DESCRIPTION	CODE	DESCRIPTION
G00009-a4-T1-B4-Rm1-P0-L1	60°-1T-129w-500CL-50L-MAG	G00009-a5-T1-B4-Rm1-P0-L1	75°-1T-129w-500CL-50L-MAG	G00009-a6-T1-B4-Rm1-P0-L1	90°-1T-129w-500CL-50L-MAG
G00009-a4-T2-B4-Rm1-P4-L1	60°-2T-129w-500CL-P117- 50L-MAG	G00009-a5-T2-B4-Rm1-P4-L1	75°-2T-129w-500CL-P117-50L-MAG	G00009-a6-T2-B4-Rm1-P4-L1	90°-2T-129w-500CL-P117-50L-MAG
G00009-a4-T3-B4-Rm1-P4-L1	60°-3T-129w-500CL-P117- 50L-MAG	G00009-a5-T3-B4-Rm1-P4-L1	75°-3T-129w-500CL-P117-50L-MAG	G00009-a6-T3-B4-Rm1-P4-L1	90°-3T-129w-500CL-P117-50L-MAG
G00009-a4-T4-B4-Rm1-P4-L1	60°-4T-129w-500CL-P117- 50L-MAG	G00009-a5-T4-B4-Rm1-P4-L1	75°-4T-129w-500CL-P117-50L-MAG	G00009-a6-T4-B4-Rm1-P4-L1	90°-4T-129w-500CL-P117-50L-MAG
G00009-a4-T5-B4-Rm1-P4-L1	60°-5T-129w-500CL-P117- 50L-MAG	G00009-a5-T5-B4-Rm1-P4-L1	75°-5T-129w-500CL-P117-50L-MAG	G00009-a6-T5-B4-Rm1-P4-L1	90°-5T-129w-500CL-P117-50L-MAG
G00009-a4-T6-B4-Rm1-P4-L1	60°-6T-129w-500CL-P117- 50L-MAG	G00009-a5-T6-B4-Rm1-P4-L1	75°-6T-129w-500CL-P117-50L-MAG	G00009-a6-T6-B4-Rm1-P4-L1	90°-6T-129w-500CL-P117-50L-MAG
G00009-a4-T7-B4-Rm1-P4-L1	60°-7T-129w-500CL-P117- 50L-MAG	G00009-a5-T7-B4-Rm1-P4-L1	75°-7T-129w-500CL-P117-50L-MAG	G00009-a6-T7-B4-Rm1-P4-L1	90°-7T-129w-500CL-P117-50L-MAG
G00009-a4-T8-B4-Rm1-P4-L1	60°-8T-129w-500CL-P117-50L-MAG	G00009-a5-T8-B4-Rm1-P4-L1	75°-8T-129w-500CL-P117-50L-MAG	G00009-a6-T8-B4-Rm1-P4-L1	90°-8T-129w-500CL-P117-50L-MAG

NON STANDARD SIZES ARE AVAILABLE ON REQUEST | STANDARD ORDER QTY: PER SET



CHAINS/BELTS
PG. E44-E45 & PG. E49



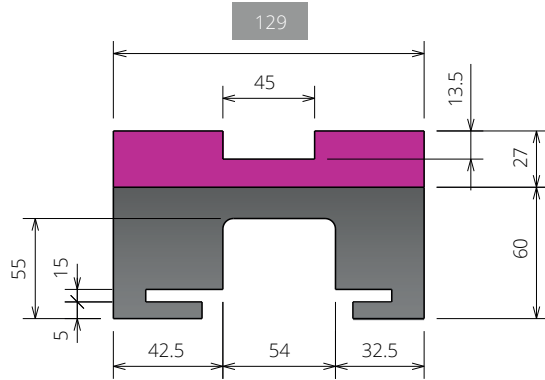
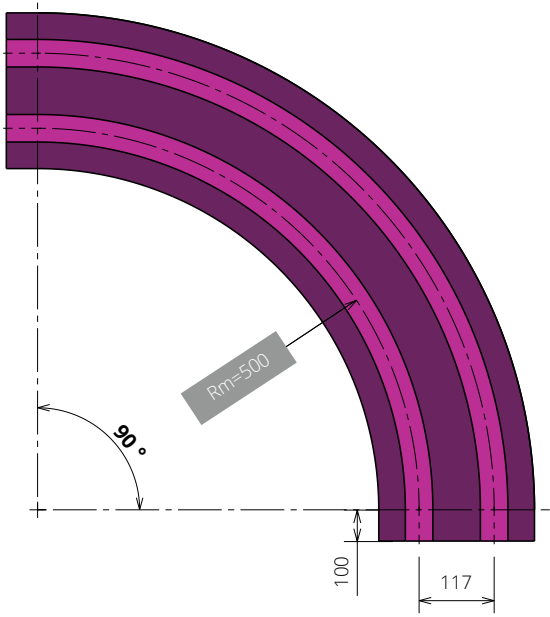
MATERIALS



TABLE OF
CONTENTS

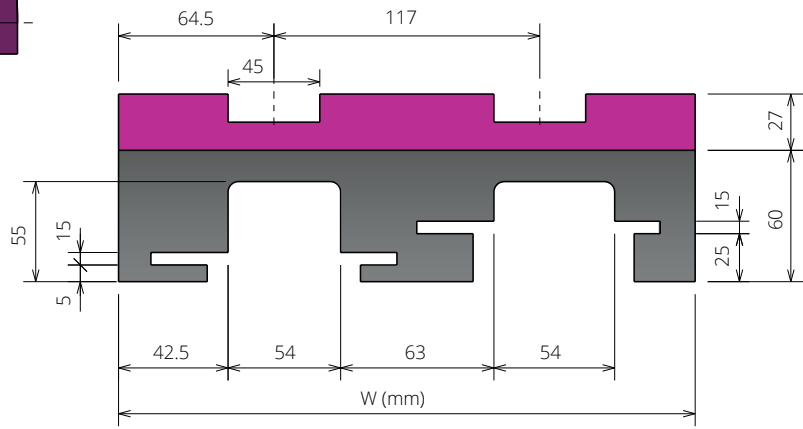
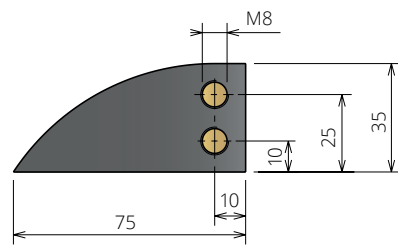


BACK TO CORNER TRACKS/
CURVES/BENDS INDEX (G)



SINGLE TRACK - G00009-a6-T1-B4-Rm1-P0-L2

TRACKS	W
1	129
2	246
3	363
4	480
5	597
6	714
7	831
8	948

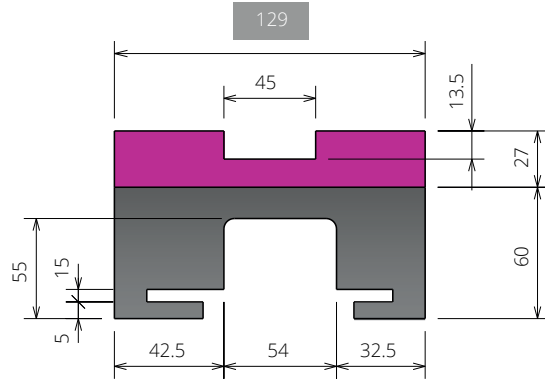
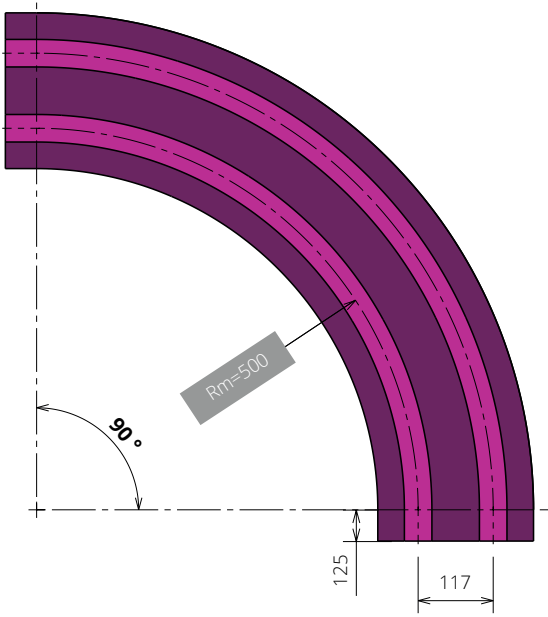


MULTI TRACK - G00009-a6-T2-B4-Rm1-P4-L2

Rm = 610mm - MULTI TRACK - 100mm LEAD IN / LEAD OUT

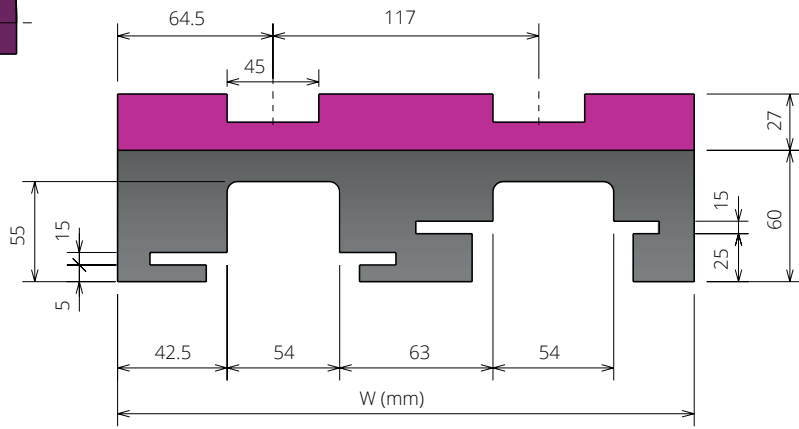
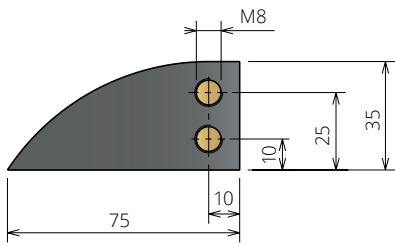
α 15°		α 30°		α 45°	
CODE	DESCRIPTION	CODE	DESCRIPTION	CODE	DESCRIPTION
G00009-a1-T1-B4-Rm1-P0-L2	15°-4T-129w-500CL-P117-100L-MAG	G00009-a2-T1-B4-Rm1-P0-L2	30°-1T-129w-500CL-100L-MAG	G00009-a3-T1-B4-Rm1-P0-L2	45°-1T-129w-500CL-100L-MAG
G00009-a1-T2-B4-Rm1-P4-L2	15°-2T-129w-500CL-P117-100L-MAG	G00009-a2-T2-B4-Rm1-P4-L2	30°-2T-129w-500CL-P117-100L-MAG	G00009-a3-T2-B4-Rm1-P4-L2	45°-2T-129w-500CL-P117-100L-MAG
G00009-a1-T3-B4-Rm1-P4-L2	15°-3T-129w-500CL-P117-100L-MAG	G00009-a2-T3-B4-Rm1-P4-L2	30°-3T-129w-500CL-P117-100L-MAG	G00009-a3-T3-B4-Rm1-P4-L2	45°-3T-129w-500CL-P117-100L-MAG
G00009-a1-T4-B4-Rm1-P4-L2	15°-4T-129w-500CL-P117-100L-MAG	G00009-a2-T4-B4-Rm1-P4-L2	30°-4T-129w-500CL-P117-100L-MAG	G00009-a3-T4-B4-Rm1-P4-L2	45°-4T-129w-500CL-P117-100L-MAG
G00009-a1-T5-B4-Rm1-P4-L2	15°-5T-129w-500CL-P117-100L-MAG	G00009-a2-T5-B4-Rm1-P4-L2	30°-5T-129w-500CL-P117-100L-MAG	G00009-a3-T5-B4-Rm1-P4-L2	45°-5T-129w-500CL-P117-100L-MAG
G00009-a1-T6-B4-Rm1-P4-L2	15°-6T-129w-500CL-P117-100L-MAG	G00009-a2-T6-B4-Rm1-P4-L2	30°-6T-129w-500CL-P117-100L-MAG	G00009-a3-T6-B4-Rm1-P4-L2	45°-6T-129w-500CL-P117-100L-MAG
G00009-a1-T7-B4-Rm1-P4-L2	15°-7T-129w-500CL-P117-100L-MAG	G00009-a2-T7-B4-Rm1-P4-L2	30°-7T-129w-500CL-P117-100L-MAG	G00009-a3-T7-B4-Rm1-P4-L2	45°-7T-129w-500CL-P117-100L-MAG
G00009-a1-T8-B4-Rm1-P4-L2	15°-8T-129w-500CL-P117-100L-MAG	G00009-a2-T8-B4-Rm1-P4-L2	30°-8T-129w-500CL-P117-100L-MAG	G00009-a3-T8-B4-Rm1-P4-L2	45°-8T-129w-500CL-P117-100L-MAG
α 60°		α 75°		α 90°	
CODE	DESCRIPTION	CODE	DESCRIPTION	CODE	DESCRIPTION
G00009-a4-T1-B4-Rm1-P0-L2	60°-1T-129w-500CL-100L-MAG	G00009-a5-T1-B4-Rm1-P0-L2	75°-1T-129w-500CL-100L-MAG	G00009-a6-T1-B4-Rm1-P0-L2	90°-1T-129w-500CL-100L-MAG
G00009-a4-T2-B4-Rm1-P4-L2	60°-2T-129w-500CL-P117-100L-MAG	G00009-a5-T2-B4-Rm1-P4-L2	75°-2T-129w-500CL-P117-100L-MAG	G00009-a6-T2-B4-Rm1-P4-L2	90°-2T-129w-500CL-P117-100L-MAG
G00009-a4-T3-B4-Rm1-P4-L2	60°-3T-129w-500CL-P117-100L-MAG	G00009-a5-T3-B4-Rm1-P4-L2	75°-3T-129w-500CL-P117-100L-MAG	G00009-a6-T3-B4-Rm1-P4-L2	90°-3T-129w-500CL-P117-100L-MAG
G00009-a4-T4-B4-Rm1-P4-L2	60°-4T-129w-500CL-P117-100L-MAG	G00009-a5-T4-B4-Rm1-P4-L2	75°-4T-129w-500CL-P117-100L-MAG	G00009-a6-T4-B4-Rm1-P4-L2	90°-4T-129w-500CL-P117-100L-MAG
G00009-a4-T5-B4-Rm1-P4-L2	60°-5T-129w-500CL-P117-100L-MAG	G00009-a5-T5-B4-Rm1-P4-L2	75°-5T-129w-500CL-P117-100L-MAG	G00009-a6-T5-B4-Rm1-P4-L2	90°-5T-129w-500CL-P117-100L-MAG
G00009-a4-T6-B4-Rm1-P4-L2	60°-6T-129w-500CL-P117-100L-MAG	G00009-a5-T6-B4-Rm1-P4-L2	75°-6T-129w-500CL-P117-100L-MAG	G00009-a6-T6-B4-Rm1-P4-L2	90°-6T-129w-500CL-P117-100L-MAG
G00009-a4-T7-B4-Rm1-P4-L2	60°-7T-129w-500CL-P117-100L-MAG	G00009-a5-T7-B4-Rm1-P4-L2	75°-7T-129w-500CL-P117-100L-MAG	G00009-a6-T7-B4-Rm1-P4-L2	90°-7T-129w-500CL-P117-100L-MAG
G00009-a4-T8-B4-Rm1-P4-L2	60°-8T-129w-500CL-P117-100L-MAG	G00009-a5-T8-B4-Rm1-P4-L2	75°-8T-129w-500CL-P117-100L-MAG	G00009-a6-T8-B4-Rm1-P4-L2	90°-8T-129w-500CL-P117-100L-MAG

NON STANDARD SIZES ARE AVAILABLE ON REQUEST | STANDARD ORDER QTY: PER SET



SINGLE TRACK - G00009-a6-T1-B4-Rm1-P0-L3

TRACKS	W
1	129
2	246
3	363
4	480
5	597
6	714
7	831
8	948

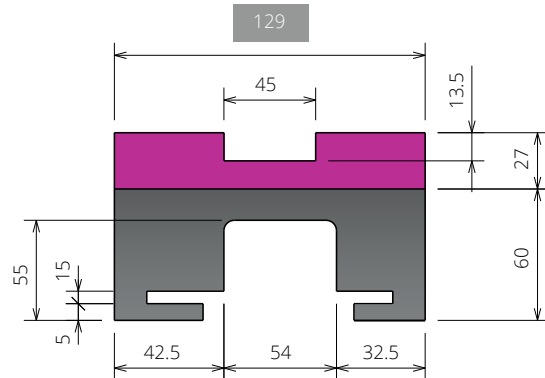
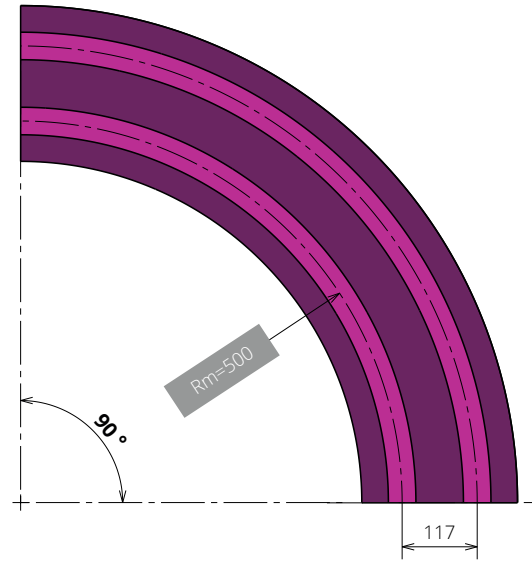


MULTI TRACK - G00009-a6-T2-B4-Rm1-P4-L3

Rm = 610mm - MULTI TRACK - 125mm LEAD IN / LEAD OUT

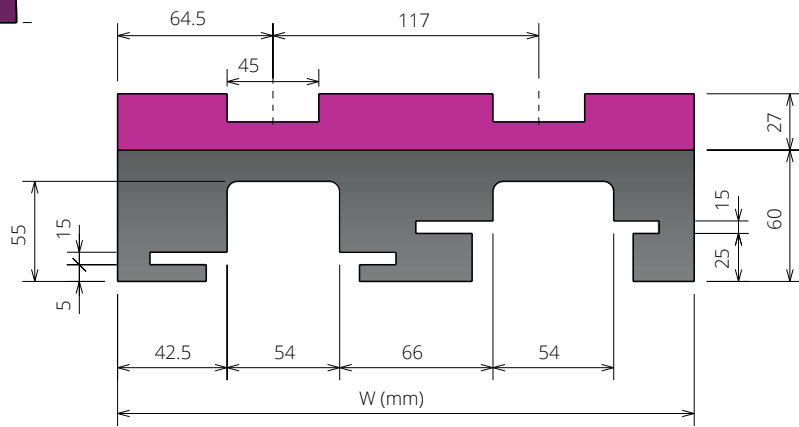
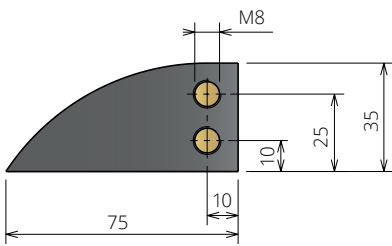
$\alpha 15^\circ$		$\alpha 30^\circ$		$\alpha 45^\circ$	
CODE	DESCRIPTION	CODE	DESCRIPTION	CODE	DESCRIPTION
G00009-a1-T1-B4-Rm1-P0-L3	15°-1T-129w-500CL-125L-MAG	G00009-a2-T1-B4-Rm1-P0-L3	30°-1T-129w-500CL-125L-MAG	G00009-a3-T1-B4-Rm1-P0-L3	45°-1T-129w-500CL-125L-MAG
G00009-a1-T2-B4-Rm1-P4-L3	15°-2T-129w-500CL-P117-125L-MAG	G00009-a2-T2-B4-Rm1-P4-L3	30°-2T-129w-500CL-P117-125L-MAG	G00009-a3-T2-B4-Rm1-P4-L3	45°-2T-129w-500CL-P117-125L-MAG
G00009-a1-T3-B4-Rm1-P4-L3	15°-3T-129w-500CL-P117-125L-MAG	G00009-a2-T3-B4-Rm1-P4-L3	30°-3T-129w-500CL-P117-125L-MAG	G00009-a3-T3-B4-Rm1-P4-L3	45°-3T-129w-500CL-P117-125L-MAG
G00009-a1-T4-B4-Rm1-P4-L3	15°-4T-129w-500CL-P117-125L-MAG	G00009-a2-T4-B4-Rm1-P4-L3	30°-4T-129w-500CL-P117-125L-MAG	G00009-a3-T4-B4-Rm1-P4-L3	45°-4T-129w-500CL-P117-125L-MAG
G00009-a1-T5-B4-Rm1-P4-L3	15°-5T-129w-500CL-P117-125L-MAG	G00009-a2-T5-B4-Rm1-P4-L3	30°-5T-129w-500CL-P117-125L-MAG	G00009-a3-T5-B4-Rm1-P4-L3	45°-5T-129w-500CL-P117-125L-MAG
G00009-a1-T6-B4-Rm1-P4-L3	15°-6T-129w-500CL-P117-125L-MAG	G00009-a2-T6-B4-Rm1-P4-L3	30°-6T-129w-500CL-P117-125L-MAG	G00009-a3-T6-B4-Rm1-P4-L3	45°-6T-129w-500CL-P117-125L-MAG
G00009-a1-T7-B4-Rm1-P4-L3	15°-7T-129w-500CL-P117-125L-MAG	G00009-a2-T7-B4-Rm1-P4-L3	30°-7T-129w-500CL-P117-125L-MAG	G00009-a3-T7-B4-Rm1-P4-L3	45°-7T-129w-500CL-P117-125L-MAG
G00009-a1-T8-B4-Rm1-P4-L3	15°-8T-129w-500CL-P117-125L-MAG	G00009-a2-T8-B4-Rm1-P4-L3	30°-8T-129w-500CL-P117-125L-MAG	G00009-a3-T8-B4-Rm1-P4-L3	45°-8T-129w-500CL-P117-125L-MAG
$\alpha 60^\circ$		$\alpha 75^\circ$		$\alpha 90^\circ$	
CODE	DESCRIPTION	CODE	DESCRIPTION	CODE	DESCRIPTION
G00009-a4-T1-B4-Rm1-P0-L3	60°-1T-129w-500CL-125L-MAG	G00009-a5-T1-B4-Rm1-P0-L3	75°-1T-129w-500CL-125L-MAG	G00009-a6-T1-B4-Rm1-P0-L3	90°-1T-129w-500CL-125L-MAG
G00009-a4-T2-B4-Rm1-P4-L3	60°-2T-129w-500CL-P117-125L-MAG	G00009-a5-T2-B4-Rm1-P4-L3	75°-2T-129w-500CL-P117-125L-MAG	G00009-a6-T2-B4-Rm1-P4-L3	90°-2T-129w-500CL-P117-125L-MAG
G00009-a4-T3-B4-Rm1-P4-L3	60°-3T-129w-500CL-P117-125L-MAG	G00009-a5-T3-B4-Rm1-P4-L3	75°-3T-129w-500CL-P117-125L-MAG	G00009-a6-T3-B4-Rm1-P4-L3	90°-3T-129w-500CL-P117-125L-MAG
G00009-a4-T4-B4-Rm1-P4-L3	60°-4T-129w-500CL-P117-125L-MAG	G00009-a5-T4-B4-Rm1-P4-L3	75°-4T-129w-500CL-P117-125L-MAG	G00009-a6-T4-B4-Rm1-P4-L3	90°-4T-129w-500CL-P117-125L-MAG
G00009-a4-T5-B4-Rm1-P4-L3	60°-5T-129w-500CL-P117-125L-MAG	G00009-a5-T5-B4-Rm1-P4-L3	75°-5T-129w-500CL-P117-125L-MAG	G00009-a6-T5-B4-Rm1-P4-L3	90°-5T-129w-500CL-P117-125L-MAG
G00009-a4-T6-B4-Rm1-P4-L3	60°-6T-129w-500CL-P117-125L-MAG	G00009-a5-T6-B4-Rm1-P4-L3	75°-6T-129w-500CL-P117-125L-MAG	G00009-a6-T6-B4-Rm1-P4-L3	90°-6T-129w-500CL-P117-125L-MAG
G00009-a4-T7-B4-Rm1-P4-L3	60°-7T-129w-500CL-P117-125L-MAG	G00009-a5-T7-B4-Rm1-P4-L3	75°-7T-129w-500CL-P117-125L-MAG	G00009-a6-T7-B4-Rm1-P4-L3	90°-7T-129w-500CL-P117-125L-MAG
G00009-a4-T8-B4-Rm1-P4-L3	60°-8T-129w-500CL-P117-125L-MAG	G00009-a5-T8-B4-Rm1-P4-L3	75°-8T-129w-500CL-P117-125L-MAG	G00009-a6-T8-B4-Rm1-P4-L3	90°-8T-129w-500CL-P117-125L-MAG

NON STANDARD SIZES ARE AVAILABLE ON REQUEST | STANDARD ORDER QTY: PER SET



SINGLE TRACK - G00009-a6-T1-B4-Rm1-P0-L0

TRACKS	W
1	129
2	246
3	363
4	480
5	597
6	714
7	831
8	948



MULTI TRACK - G00009-a6-T2-B4-Rm1-P4-L0

Rm = 610mm - MULTI TRACK - NO LEAD IN / LEAD OUT

$\alpha 15^\circ$		$\alpha 30^\circ$		$\alpha 45^\circ$	
CODE	DESCRIPTION	CODE	DESCRIPTION	CODE	DESCRIPTION
G00009-a1-T1-B4-Rm1-P0-L0	15°-1T-129w-500CL-0L-MAG	G00009-a2-T1-B4-Rm1-P0-L0	30°-1T-129w-500CL-0L-MAG	G00009-a3-T1-B4-Rm1-P0-L0	45°-1T-129w-500CL-0L-MAG
G00009-a1-T2-B4-Rm1-P4-L0	15°-2T-129w-500CL-P117-0L-MAG	G00009-a2-T2-B4-Rm1-P4-L0	30°-2T-129w-500CL-P117-0L-MAG	G00009-a3-T2-B4-Rm1-P4-L0	45°-2T-129w-500CL-P117-0L-MAG
G00009-a1-T3-B4-Rm1-P4-L0	15°-3T-129w-500CL-P117-0L-MAG	G00009-a2-T3-B4-Rm1-P4-L0	30°-3T-129w-500CL-P117-0L-MAG	G00009-a3-T3-B4-Rm1-P4-L0	45°-3T-129w-500CL-P117-0L-MAG
G00009-a1-T4-B4-Rm1-P4-L0	15°-4T-129w-500CL-P117-0L-MAG	G00009-a2-T4-B4-Rm1-P4-L0	30°-4T-129w-500CL-P117-0L-MAG	G00009-a3-T4-B4-Rm1-P4-L0	45°-4T-129w-500CL-P117-0L-MAG
G00009-a1-T5-B4-Rm1-P4-L0	15°-5T-129w-500CL-P117-0L-MAG	G00009-a2-T5-B4-Rm1-P4-L0	30°-5T-129w-500CL-P117-0L-MAG	G00009-a3-T5-B4-Rm1-P4-L0	45°-5T-129w-500CL-P117-0L-MAG
G00009-a1-T6-B4-Rm1-P4-L0	15°-6T-129w-500CL-P117-0L-MAG	G00009-a2-T6-B4-Rm1-P4-L0	30°-6T-129w-500CL-P117-0L-MAG	G00009-a3-T6-B4-Rm1-P4-L0	45°-6T-129w-500CL-P117-0L-MAG
G00009-a1-T7-B4-Rm1-P4-L0	15°-7T-129w-500CL-P117-0L-MAG	G00009-a2-T7-B4-Rm1-P4-L0	30°-7T-129w-500CL-P117-0L-MAG	G00009-a3-T7-B4-Rm1-P4-L0	45°-7T-129w-500CL-P117-0L-MAG
G00009-a1-T8-B4-Rm1-P4-L0	15°-8T-129w-500CL-P117-0L-MAG	G00009-a2-T8-B4-Rm1-P4-L0	30°-8T-129w-500CL-P117-0L-MAG	G00009-a3-T8-B4-Rm1-P4-L0	45°-8T-129w-500CL-P117-0L-MAG
$\alpha 60^\circ$		$\alpha 75^\circ$		$\alpha 90^\circ$	
CODE	DESCRIPTION	CODE	DESCRIPTION	CODE	DESCRIPTION
G00009-a4-T1-B4-Rm1-P0-L0	60°-1T-129w-500CL-0L-MAG	G00009-a5-T1-B4-Rm1-P0-L0	75°-1T-129w-500CL-0L-MAG	G00009-a6-T1-B4-Rm1-P0-L0	90°-1T-129w-500CL-0L-MAG
G00009-a4-T2-B4-Rm1-P4-L0	60°-2T-129w-500CL-P117-0L-MAG	G00009-a5-T2-B4-Rm1-P4-L0	75°-2T-129w-500CL-P117-0L-MAG	G00009-a6-T2-B4-Rm1-P4-L0	90°-2T-129w-500CL-P117-0L-MAG
G00009-a4-T3-B4-Rm1-P4-L0	60°-3T-129w-500CL-P117-0L-MAG	G00009-a5-T3-B4-Rm1-P4-L0	75°-3T-129w-500CL-P117-0L-MAG	G00009-a6-T3-B4-Rm1-P4-L0	90°-3T-129w-500CL-P117-0L-MAG
G00009-a4-T4-B4-Rm1-P4-L0	60°-4T-129w-500CL-P117-0L-MAG	G00009-a5-T4-B4-Rm1-P4-L0	75°-4T-129w-500CL-P117-0L-MAG	G00009-a6-T4-B4-Rm1-P4-L0	90°-4T-129w-500CL-P117-0L-MAG
G00009-a4-T5-B4-Rm1-P4-L0	60°-5T-129w-500CL-P117-0L-MAG	G00009-a5-T5-B4-Rm1-P4-L0	75°-5T-129w-500CL-P117-0L-MAG	G00009-a6-T5-B4-Rm1-P4-L0	90°-5T-129w-500CL-P117-0L-MAG
G00009-a4-T6-B4-Rm1-P4-L0	60°-6T-129w-500CL-P117-0L-MAG	G00009-a5-T6-B4-Rm1-P4-L0	75°-6T-129w-500CL-P117-0L-MAG	G00009-a6-T6-B4-Rm1-P4-L0	90°-6T-129w-500CL-P117-0L-MAG
G00009-a4-T7-B4-Rm1-P4-L0	60°-7T-129w-500CL-P117-0L-MAG	G00009-a5-T7-B4-Rm1-P4-L0	75°-7T-129w-500CL-P117-0L-MAG	G00009-a6-T7-B4-Rm1-P4-L0	90°-7T-129w-500CL-P117-0L-MAG
G00009-a4-T8-B4-Rm1-P4-L0	60°-8T-129w-500CL-P117-0L-MAG	G00009-a5-T8-B4-Rm1-P4-L0	75°-8T-129w-500CL-P117-0L-MAG	G00009-a6-T8-B4-Rm1-P4-L0	90°-8T-129w-500CL-P117-0L-MAG

NON STANDARD SIZES ARE AVAILABLE ON REQUEST | STANDARD ORDER QTY: PER SET



CHAINS/BELTS
PG. E44-E45 & PG. E49



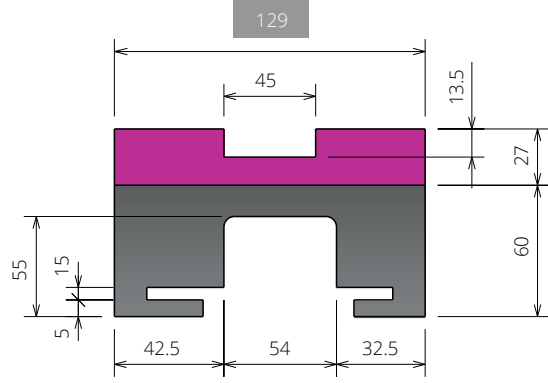
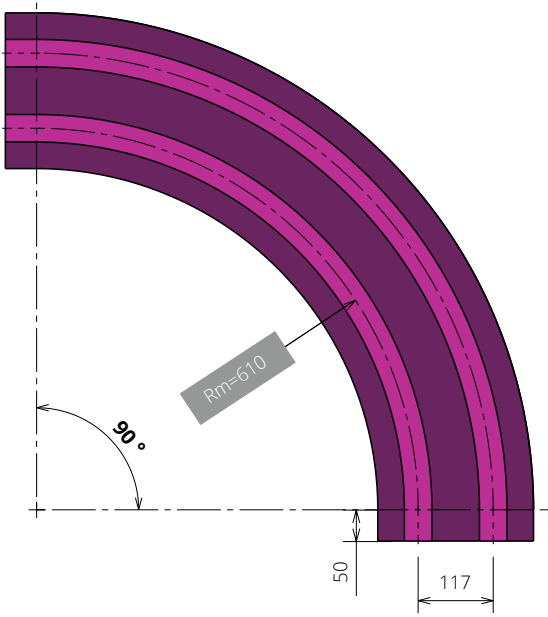
MATERIALS



TABLE OF
CONTENTS

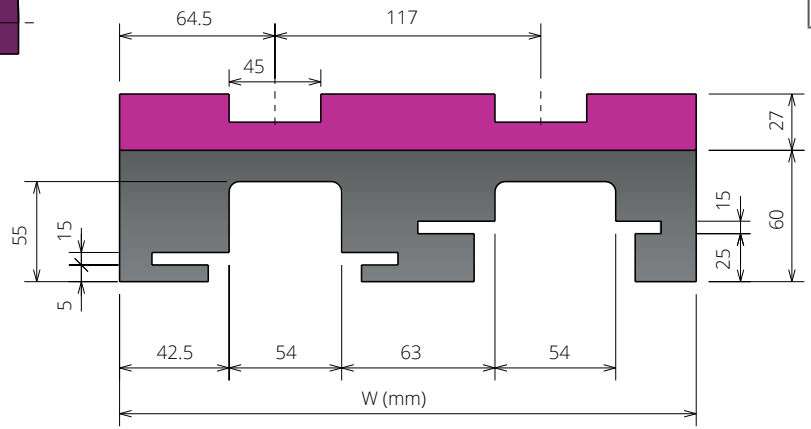
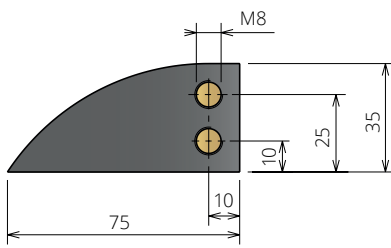


BACK TO CORNER TRACKS/
CURVES/BENDS INDEX (G)



SINGLE TRACK - G00009-a6-T1-B4-Rm2-P0-L1

TRACKS	W
1	129
2	246
3	363
4	480
5	597
6	714
7	831
8	948

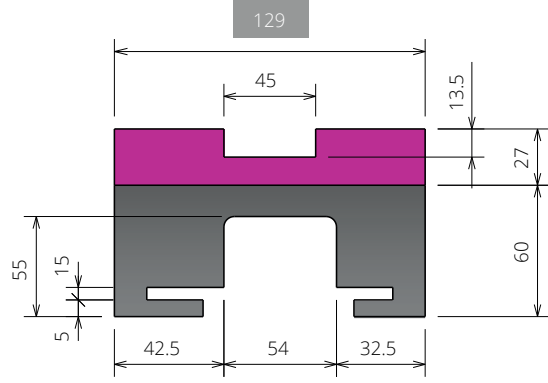
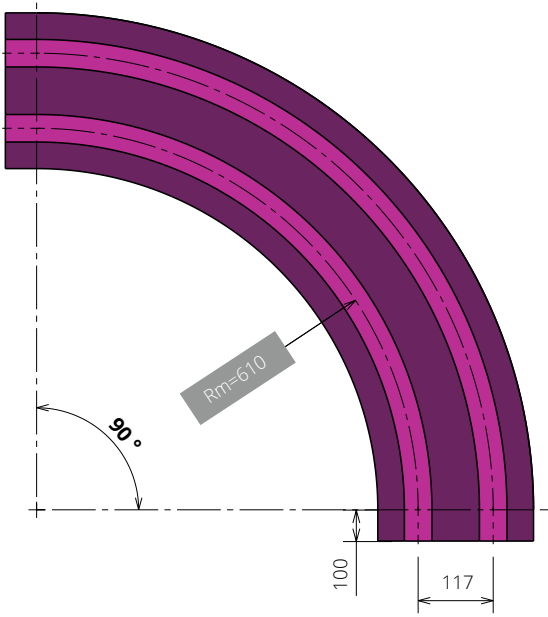


MULTI TRACK - G00009-a6-T2-B4-Rm2-P4-L1

Rm = 610mm - MULTI TRACK - 50mm LEAD IN / LEAD OUT

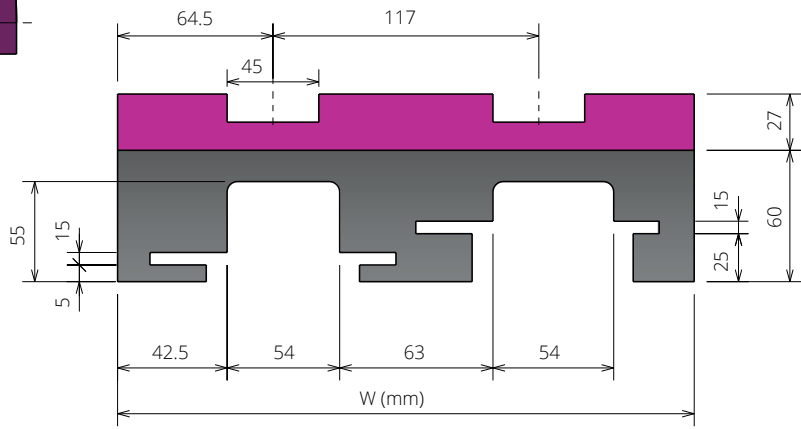
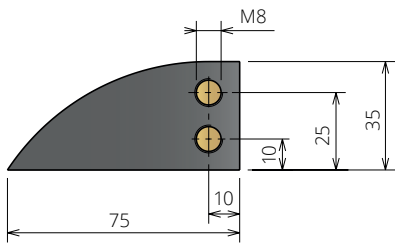
α 15°		α 30°		α 45°	
CODE	DESCRIPTION	CODE	DESCRIPTION	CODE	DESCRIPTION
G00009-a1-T1-B4-Rm2-P0-L1	15°-1T-129w-610CL-50L-MAG	G00009-a2-T1-B4-Rm2-P0-L1	30°-1T-129w-610CL-50L-MAG	G00009-a3-T1-B4-Rm2-P0-L1	45°-1T-129w-610CL-50L-MAG
G00009-a1-T2-B4-Rm2-P4-L1	15°-2T-129w-610CL-P117-50L-MAG	G00009-a2-T2-B4-Rm2-P4-L1	30°-2T-129w-610CL-P117-50L-MAG	G00009-a3-T2-B4-Rm2-P4-L1	45°-2T-129w-610CL-P117-50L-MAG
G00009-a1-T3-B4-Rm2-P4-L1	15°-3T-129w-610CL-P117-50L-MAG	G00009-a2-T3-B4-Rm2-P4-L1	30°-3T-129w-610CL-P117-50L-MAG	G00009-a3-T3-B4-Rm2-P4-L1	45°-3T-129w-610CL-P117-50L-MAG
G00009-a1-T4-B4-Rm2-P4-L1	15°-4T-129w-610CL-P117-50L-MAG	G00009-a2-T4-B4-Rm2-P4-L1	30°-4T-129w-610CL-P117-50L-MAG	G00009-a3-T4-B4-Rm2-P4-L1	45°-4T-129w-610CL-P117-50L-MAG
G00009-a1-T5-B4-Rm2-P4-L1	15°-5T-129w-610CL-P117-50L-MAG	G00009-a2-T5-B4-Rm2-P4-L1	30°-5T-129w-610CL-P117-50L-MAG	G00009-a3-T5-B4-Rm2-P4-L1	45°-5T-129w-610CL-P117-50L-MAG
G00009-a1-T6-B4-Rm2-P4-L1	15°-6T-129w-610CL-P117-50L-MAG	G00009-a2-T6-B4-Rm2-P4-L1	30°-6T-129w-610CL-P117-50L-MAG	G00009-a3-T6-B4-Rm2-P4-L1	45°-6T-129w-610CL-P117-50L-MAG
G00009-a1-T7-B4-Rm2-P4-L1	15°-7T-129w-610CL-P117-50L-MAG	G00009-a2-T7-B4-Rm2-P4-L1	30°-7T-129w-610CL-P117-50L-MAG	G00009-a3-T7-B4-Rm2-P4-L1	45°-7T-129w-610CL-P117-50L-MAG
G00009-a1-T8-B4-Rm2-P4-L1	15°-8T-129w-610CL-P117-50L-MAG	G00009-a2-T8-B4-Rm2-P4-L1	30°-8T-129w-610CL-P117-50L-MAG	G00009-a3-T8-B4-Rm2-P4-L1	45°-8T-129w-610CL-P117-50L-MAG
α 60°		α 75°		α 90°	
CODE	DESCRIPTION	CODE	DESCRIPTION	CODE	DESCRIPTION
G00009-a4-T1-B4-Rm2-P0-L1	60°-1T-129w-610CL-50L-MAG	G00009-a5-T1-B4-Rm2-P0-L1	75°-1T-129w-610CL-50L-MAG	G00009-a6-T1-B4-Rm2-P0-L1	90°-1T-129w-610CL-50L-MAG
G00009-a4-T2-B4-Rm2-P4-L1	60°-2T-129w-610CL-P117-50L-MAG	G00009-a5-T2-B4-Rm2-P4-L1	75°-2T-129w-610CL-P117-50L-MAG	G00009-a6-T2-B4-Rm2-P4-L1	90°-2T-129w-610CL-P117-50L-MAG
G00009-a4-T3-B4-Rm2-P4-L1	60°-3T-129w-610CL-P117-50L-MAG	G00009-a5-T3-B4-Rm2-P4-L1	75°-3T-129w-610CL-P117-50L-MAG	G00009-a6-T3-B4-Rm2-P4-L1	90°-3T-129w-610CL-P117-50L-MAG
G00009-a4-T4-B4-Rm2-P4-L1	60°-4T-129w-610CL-P117-50L-MAG	G00009-a5-T4-B4-Rm2-P4-L1	75°-4T-129w-610CL-P117-50L-MAG	G00009-a6-T4-B4-Rm2-P4-L1	90°-4T-129w-610CL-P117-50L-MAG
G00009-a4-T5-B4-Rm2-P4-L1	60°-5T-129w-610CL-P117-50L-MAG	G00009-a5-T5-B4-Rm2-P4-L1	75°-5T-129w-610CL-P117-50L-MAG	G00009-a6-T5-B4-Rm2-P4-L1	90°-5T-129w-610CL-P117-50L-MAG
G00009-a4-T6-B4-Rm2-P4-L1	60°-6T-129w-610CL-P117-50L-MAG	G00009-a5-T6-B4-Rm2-P4-L1	75°-6T-129w-610CL-P117-50L-MAG	G00009-a6-T6-B4-Rm2-P4-L1	90°-6T-129w-610CL-P117-50L-MAG
G00009-a4-T7-B4-Rm2-P4-L1	60°-7T-129w-610CL-P117-50L-MAG	G00009-a5-T7-B4-Rm2-P4-L1	75°-7T-129w-610CL-P117-50L-MAG	G00009-a6-T7-B4-Rm2-P4-L1	90°-7T-129w-610CL-P117-50L-MAG
G00009-a4-T8-B4-Rm2-P4-L1	60°-8T-129w-610CL-P117-50L-MAG	G00009-a5-T8-B4-Rm2-P4-L1	75°-8T-129w-610CL-P117-50L-MAG	G00009-a6-T8-B4-Rm2-P4-L1	90°-8T-129w-610CL-P117-50L-MAG

NON STANDARD SIZES ARE AVAILABLE ON REQUEST | STANDARD ORDER QTY: PER SET



SINGLE TRACK - G00009-a6-T1-B4-Rm2-P0-L2

TRACKS	W
1	129
2	246
3	363
4	480
5	597
6	714
7	831
8	948



MULTI TRACK - G00009-a6-T2-B4-Rm2-P4-L2

Rm = 610mm - MULTI TRACK - 100mm LEAD IN / LEAD OUT

α 15°		α 30°		α 45°	
CODE	DESCRIPTION	CODE	DESCRIPTION	CODE	DESCRIPTION
G00009-a1-T1-B4-Rm2-P0-L2	15°-1T-129w-610CL-100L-MAG	G00009-a2-T1-B4-Rm2-P0-L2	30°-1T-129w-610CL-100L-MAG	G00009-a3-T1-B4-Rm2-P0-L2	45°-1T-129w-610CL-100L-MAG
G00009-a1-T2-B4-Rm2-P4-L2	15°-2T-129w-610CL-P117-100L-MAG	G00009-a2-T2-B4-Rm2-P4-L2	30°-2T-129w-610CL-P117-100L-MAG	G00009-a3-T2-B4-Rm2-P4-L2	45°-2T-129w-610CL-P117-100L-MAG
G00009-a1-T3-B4-Rm2-P4-L2	15°-3T-129w-610CL-P117-100L-MAG	G00009-a2-T3-B4-Rm2-P4-L2	30°-3T-129w-610CL-P117-100L-MAG	G00009-a3-T3-B4-Rm2-P4-L2	45°-3T-129w-610CL-P117-100L-MAG
G00009-a1-T4-B4-Rm2-P4-L2	15°-4T-129w-610CL-P117-100L-MAG	G00009-a2-T4-B4-Rm2-P4-L2	30°-4T-129w-610CL-P117-100L-MAG	G00009-a3-T4-B4-Rm2-P4-L2	45°-4T-129w-610CL-P117-100L-MAG
G00009-a1-T5-B4-Rm2-P4-L2	15°-5T-129w-610CL-P117-100L-MAG	G00009-a2-T5-B4-Rm2-P4-L2	30°-5T-129w-610CL-P117-100L-MAG	G00009-a3-T5-B4-Rm2-P4-L2	45°-5T-129w-610CL-P117-100L-MAG
G00009-a1-T6-B4-Rm2-P4-L2	15°-6T-129w-610CL-P117-100L-MAG	G00009-a2-T6-B4-Rm2-P4-L2	30°-6T-129w-610CL-P117-100L-MAG	G00009-a3-T6-B4-Rm2-P4-L2	45°-6T-129w-610CL-P117-100L-MAG
G00009-a1-T7-B4-Rm2-P4-L2	15°-7T-129w-610CL-P117-100L-MAG	G00009-a2-T7-B4-Rm2-P4-L2	30°-7T-129w-610CL-P117-100L-MAG	G00009-a3-T7-B4-Rm2-P4-L2	45°-7T-129w-610CL-P117-100L-MAG
G00009-a1-T8-B4-Rm2-P4-L2	15°-8T-129w-610CL-P117-100L-MAG	G00009-a2-T8-B4-Rm2-P4-L2	30°-8T-129w-610CL-P117-100L-MAG	G00009-a3-T8-B4-Rm2-P4-L2	45°-8T-129w-610CL-P117-100L-MAG
α 60°		α 75°		α 90°	
CODE	DESCRIPTION	CODE	DESCRIPTION	CODE	DESCRIPTION
G00009-a4-T1-B4-Rm2-P0-L2	60°-1T-129w-610CL-100L-MAG	G00009-a5-T1-B4-Rm2-P0-L2	75°-1T-129w-610CL-100L-MAG	G00009-a6-T1-B4-Rm2-P0-L2	90°-1T-129w-610CL-100L-MAG
G00009-a4-T2-B4-Rm2-P4-L2	60°-2T-129w-610CL-P117-100L-MAG	G00009-a5-T2-B4-Rm2-P4-L2	75°-2T-129w-610CL-P117-100L-MAG	G00009-a6-T2-B4-Rm2-P4-L2	90°-2T-129w-610CL-P117-100L-MAG
G00009-a4-T3-B4-Rm2-P4-L2	60°-3T-129w-610CL-P117-100L-MAG	G00009-a5-T3-B4-Rm2-P4-L2	75°-3T-129w-610CL-P117-100L-MAG	G00009-a6-T3-B4-Rm2-P4-L2	90°-3T-129w-610CL-P117-100L-MAG
G00009-a4-T4-B4-Rm2-P4-L2	60°-4T-129w-610CL-P117-100L-MAG	G00009-a5-T4-B4-Rm2-P4-L2	75°-4T-129w-610CL-P117-100L-MAG	G00009-a6-T4-B4-Rm2-P4-L2	90°-4T-129w-610CL-P117-100L-MAG
G00009-a4-T5-B4-Rm2-P4-L2	60°-5T-129w-610CL-P117-100L-MAG	G00009-a5-T5-B4-Rm2-P4-L2	75°-5T-129w-610CL-P117-100L-MAG	G00009-a6-T5-B4-Rm2-P4-L2	90°-5T-129w-610CL-P117-100L-MAG
G00009-a4-T6-B4-Rm2-P4-L2	60°-6T-129w-610CL-P117-100L-MAG	G00009-a5-T6-B4-Rm2-P4-L2	75°-6T-129w-610CL-P117-100L-MAG	G00009-a6-T6-B4-Rm2-P4-L2	90°-6T-129w-610CL-P117-100L-MAG
G00009-a4-T7-B4-Rm2-P4-L2	60°-7T-129w-610CL-P117-100L-MAG	G00009-a5-T7-B4-Rm2-P4-L2	75°-7T-129w-610CL-P117-100L-MAG	G00009-a6-T7-B4-Rm2-P4-L2	90°-7T-129w-610CL-P117-100L-MAG
G00009-a4-T8-B4-Rm2-P4-L2	60°-8T-129w-610CL-P117-100L-MAG	G00009-a5-T8-B4-Rm2-P4-L2	75°-8T-129w-610CL-P117-100L-MAG	G00009-a6-T8-B4-Rm2-P4-L2	90°-8T-129w-610CL-P117-100L-MAG

NON STANDARD SIZES ARE AVAILABLE ON REQUEST | STANDARD ORDER QTY: PER SET



CHAINS/BELTS
PG. E44-E45 & PG. E49



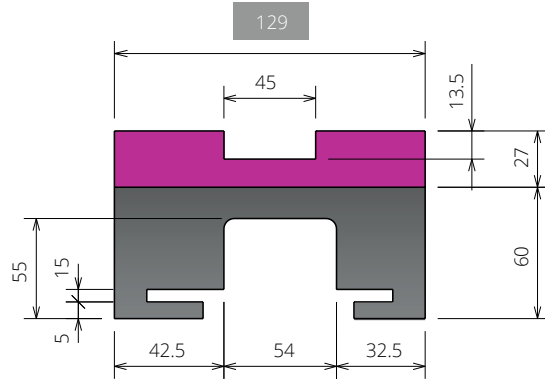
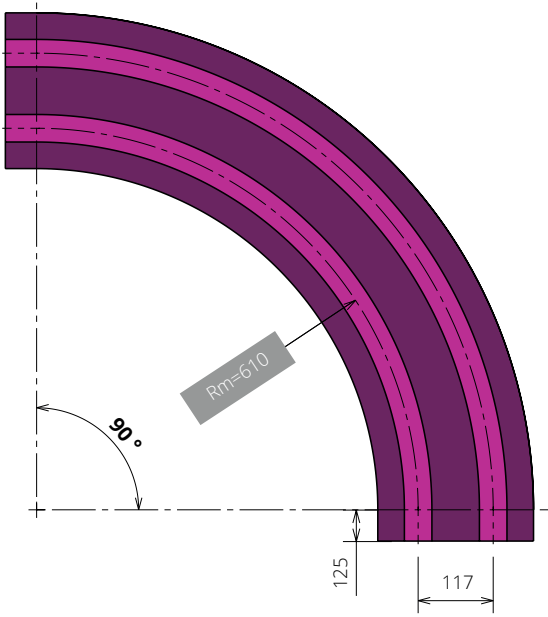
MATERIALS



TABLE OF
CONTENTS

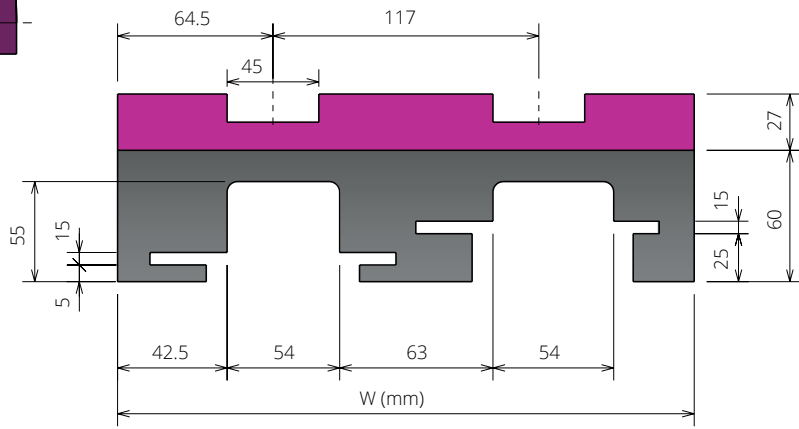
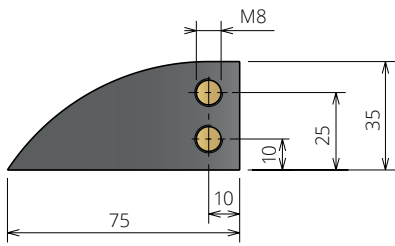


BACK TO CORNER TRACKS/
CURVES/BENDS INDEX (G)



SINGLE TRACK - G00009-a6-T1-B4-Rm2-P0-L3

TRACKS	W
1	129
2	246
3	363
4	480
5	597
6	714
7	831
8	948

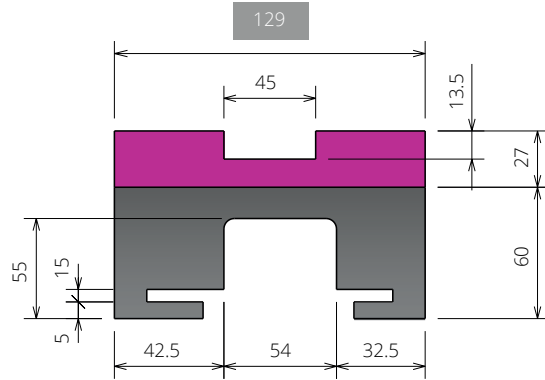
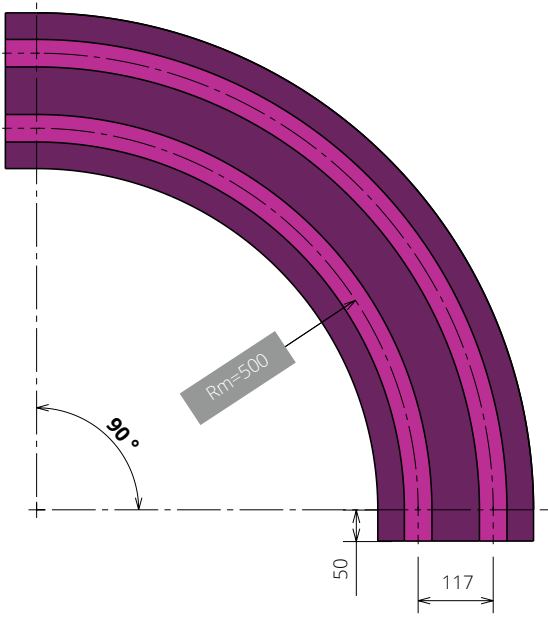


MULTI TRACK - G00009-a6-T2-B4-Rm2-P4-L3

Rm = 610mm - MULTI TRACK - 125mm LEAD IN / LEAD OUT

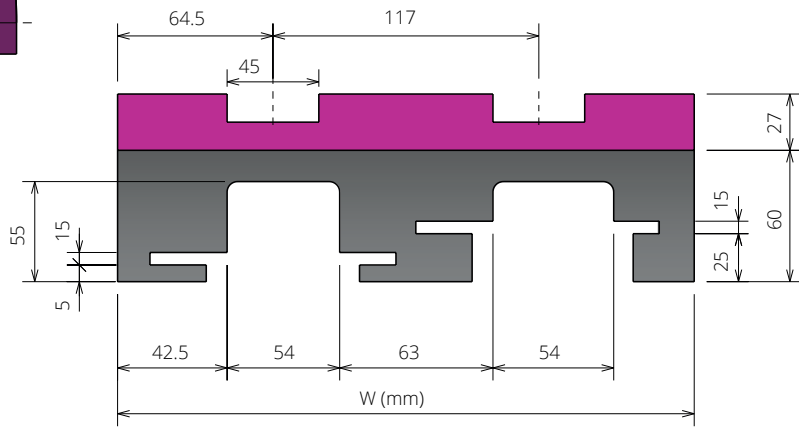
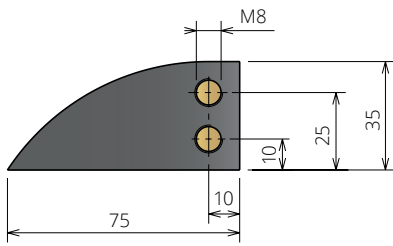
α 15°		α 30°		α 45°	
CODE	DESCRIPTION	CODE	DESCRIPTION	CODE	DESCRIPTION
G00009-a1-T1-B4-Rm2-P0-L3	15°-1T-129w-610CL-125L-MAG	G00009-a2-T1-B4-Rm2-P0-L3	30°-1T-129w-610CL-125L-MAG	G00009-a3-T1-B4-Rm2-P0-L3	45°-1T-129w-610CL-125L-MAG
G00009-a1-T2-B4-Rm2-P4-L3	15°-2T-129w-610CL-P117-125L-MAG	G00009-a2-T2-B4-Rm2-P4-L3	30°-2T-129w-610CL-P117-125L-MAG	G00009-a3-T2-B4-Rm2-P4-L3	45°-2T-129w-610CL-P117-125L-MAG
G00009-a1-T3-B4-Rm2-P4-L3	15°-3T-129w-610CL-P117-125L-MAG	G00009-a2-T3-B4-Rm2-P4-L3	30°-3T-129w-610CL-P117-125L-MAG	G00009-a3-T3-B4-Rm2-P4-L3	45°-3T-129w-610CL-P117-125L-MAG
G00009-a1-T4-B4-Rm2-P4-L3	15°-4T-129w-610CL-P117-125L-MAG	G00009-a2-T4-B4-Rm2-P4-L3	30°-4T-129w-610CL-P117-125L-MAG	G00009-a3-T4-B4-Rm2-P4-L3	45°-4T-129w-610CL-P117-125L-MAG
G00009-a1-T5-B4-Rm2-P4-L3	15°-5T-129w-610CL-P117-125L-MAG	G00009-a2-T5-B4-Rm2-P4-L3	30°-5T-129w-610CL-P117-125L-MAG	G00009-a3-T5-B4-Rm2-P4-L3	45°-5T-129w-610CL-P117-125L-MAG
G00009-a1-T6-B4-Rm2-P4-L3	15°-6T-129w-610CL-P117-125L-MAG	G00009-a2-T6-B4-Rm2-P4-L3	30°-6T-129w-610CL-P117-125L-MAG	G00009-a3-T6-B4-Rm2-P4-L3	45°-6T-129w-610CL-P117-125L-MAG
G00009-a1-T7-B4-Rm2-P4-L3	15°-7T-129w-610CL-P117-125L-MAG	G00009-a2-T7-B4-Rm2-P4-L3	30°-7T-129w-610CL-P117-125L-MAG	G00009-a3-T7-B4-Rm2-P4-L3	45°-7T-129w-610CL-P117-125L-MAG
G00009-a1-T8-B4-Rm2-P4-L3	15°-8T-129w-610CL-P117-125L-MAG	G00009-a2-T8-B4-Rm2-P4-L3	30°-8T-129w-610CL-P117-125L-MAG	G00009-a3-T8-B4-Rm2-P4-L3	45°-8T-129w-610CL-P117-125L-MAG
α 60°		α 75°		α 90°	
CODE	DESCRIPTION	CODE	DESCRIPTION	CODE	DESCRIPTION
G00009-a4-T1-B4-Rm2-P0-L3	60°-1T-129w-610CL-125L-MAG	G00009-a5-T1-B4-Rm2-P0-L3	75°-1T-129w-610CL-125L-MAG	G00009-a6-T1-B4-Rm2-P0-L3	90°-1T-129w-610CL-125L-MAG
G00009-a4-T2-B4-Rm2-P4-L3	60°-2T-129w-610CL-P117-125L-MAG	G00009-a5-T2-B4-Rm2-P4-L3	75°-2T-129w-610CL-P117-125L-MAG	G00009-a6-T2-B4-Rm2-P4-L3	90°-2T-129w-610CL-P117-125L-MAG
G00009-a4-T3-B4-Rm2-P4-L3	60°-3T-129w-610CL-P117-125L-MAG	G00009-a5-T3-B4-Rm2-P4-L3	75°-3T-129w-610CL-P117-125L-MAG	G00009-a6-T3-B4-Rm2-P4-L3	90°-3T-129w-610CL-P117-125L-MAG
G00009-a4-T4-B4-Rm2-P4-L3	60°-4T-129w-610CL-P117-125L-MAG	G00009-a5-T4-B4-Rm2-P4-L3	75°-4T-129w-610CL-P117-125L-MAG	G00009-a6-T4-B4-Rm2-P4-L3	90°-4T-129w-610CL-P117-125L-MAG
G00009-a4-T5-B4-Rm2-P4-L3	60°-5T-129w-610CL-P117-125L-MAG	G00009-a5-T5-B4-Rm2-P4-L3	75°-5T-129w-610CL-P117-125L-MAG	G00009-a6-T5-B4-Rm2-P4-L3	90°-5T-129w-610CL-P117-125L-MAG
G00009-a4-T6-B4-Rm2-P4-L3	60°-6T-129w-610CL-P117-125L-MAG	G00009-a5-T6-B4-Rm2-P4-L3	75°-6T-129w-610CL-P117-125L-MAG	G00009-a6-T6-B4-Rm2-P4-L3	90°-6T-129w-610CL-P117-125L-MAG
G00009-a4-T7-B4-Rm2-P4-L3	60°-7T-129w-610CL-P117-125L-MAG	G00009-a5-T7-B4-Rm2-P4-L3	75°-7T-129w-610CL-P117-125L-MAG	G00009-a6-T7-B4-Rm2-P4-L3	90°-7T-129w-610CL-P117-125L-MAG
G00009-a4-T8-B4-Rm2-P4-L3	60°-8T-129w-610CL-P117-125L-MAG	G00009-a5-T8-B4-Rm2-P4-L3	75°-8T-129w-610CL-P117-125L-MAG	G00009-a6-T8-B4-Rm2-P4-L3	90°-8T-129w-610CL-P117-125L-MAG

NON STANDARD SIZES ARE AVAILABLE ON REQUEST | STANDARD ORDER QTY: PER SET



SINGLE TRACK - G00009-a6-T1-B4-Rm1-P0-L1

TRACKS	W
1	129
2	246
3	363
4	480
5	597
6	714
7	831
8	948



MULTI TRACK - G00009-a6-T2-B4-Rm1-P4-L1

Rm = 610mm - MULTI TRACK - NO LEAD IN / LEAD OUT

$\alpha 15^\circ$		$\alpha 30^\circ$		$\alpha 45^\circ$	
CODE	DESCRIPTION	CODE	DESCRIPTION	CODE	DESCRIPTION
G00009-a1-T1-B4-Rm2-P0-L0	15°-1T-129w-610CL-0L-MAG	G00009-a2-T1-B4-Rm2-P0-L0	30°-1T-129w-610CL-0L-MAG	G00009-a3-T1-B4-Rm2-P0-L0	45°-1T-129w-610CL-0L-MAG
G00009-a1-T2-B4-Rm2-P4-L0	15°-2T-129w-610CL-P117-0L-MAG	G00009-a2-T2-B4-Rm2-P4-L0	30°-2T-129w-610CL-P117-0L-MAG	G00009-a3-T2-B4-Rm2-P4-L0	45°-2T-129w-610CL-P117-0L-MAG
G00009-a1-T3-B4-Rm2-P4-L0	15°-3T-129w-610CL-P117-0L-MAG	G00009-a2-T3-B4-Rm2-P4-L0	30°-3T-129w-610CL-P117-0L-MAG	G00009-a3-T3-B4-Rm2-P4-L0	45°-3T-129w-610CL-P117-0L-MAG
G00009-a1-T4-B4-Rm2-P4-L0	15°-4T-129w-610CL-P117-0L-MAG	G00009-a2-T4-B4-Rm2-P4-L0	30°-4T-129w-610CL-P117-0L-MAG	G00009-a3-T4-B4-Rm2-P4-L0	45°-4T-129w-610CL-P117-0L-MAG
G00009-a1-T5-B4-Rm2-P4-L0	15°-5T-129w-610CL-P117-0L-MAG	G00009-a2-T5-B4-Rm2-P4-L0	30°-5T-129w-610CL-P117-0L-MAG	G00009-a3-T5-B4-Rm2-P4-L0	45°-5T-129w-610CL-P117-0L-MAG
G00009-a1-T6-B4-Rm2-P4-L0	15°-6T-129w-610CL-P117-0L-MAG	G00009-a2-T6-B4-Rm2-P4-L0	30°-6T-129w-610CL-P117-0L-MAG	G00009-a3-T6-B4-Rm2-P4-L0	45°-6T-129w-610CL-P117-0L-MAG
G00009-a1-T7-B4-Rm2-P4-L0	15°-7T-129w-610CL-P117-0L-MAG	G00009-a2-T7-B4-Rm2-P4-L0	30°-7T-129w-610CL-P117-0L-MAG	G00009-a3-T7-B4-Rm2-P4-L0	45°-7T-129w-610CL-P117-0L-MAG
G00009-a1-T8-B4-Rm2-P4-L0	15°-8T-129w-610CL-P117-0L-MAG	G00009-a2-T8-B4-Rm2-P4-L0	30°-8T-129w-610CL-P117-0L-MAG	G00009-a3-T8-B4-Rm2-P4-L0	45°-8T-129w-610CL-P117-0L-MAG
$\alpha 60^\circ$		$\alpha 75^\circ$		$\alpha 90^\circ$	
CODE	DESCRIPTION	CODE	DESCRIPTION	CODE	DESCRIPTION
G00009-a4-T1-B4-Rm2-P0-L0	60°-1T-129w-610CL-0L-MAG	G00009-a5-T1-B4-Rm2-P0-L0	75°-1T-129w-610CL-0L-MAG	G00009-a6-T1-B4-Rm2-P0-L0	90°-1T-129w-610CL-0L-MAG
G00009-a4-T2-B4-Rm2-P4-L0	60°-2T-129w-610CL-P117-0L-MAG	G00009-a5-T2-B4-Rm2-P4-L0	75°-2T-129w-610CL-P117-0L-MAG	G00009-a6-T2-B4-Rm2-P4-L0	90°-2T-129w-610CL-P117-0L-MAG
G00009-a4-T3-B4-Rm2-P4-L0	60°-3T-129w-610CL-P117-0L-MAG	G00009-a5-T3-B4-Rm2-P4-L0	75°-3T-129w-610CL-P117-0L-MAG	G00009-a6-T3-B4-Rm2-P4-L0	90°-3T-129w-610CL-P117-0L-MAG
G00009-a4-T4-B4-Rm2-P4-L0	60°-4T-129w-610CL-P117-0L-MAG	G00009-a5-T4-B4-Rm2-P4-L0	75°-4T-129w-610CL-P117-0L-MAG	G00009-a6-T4-B4-Rm2-P4-L0	90°-4T-129w-610CL-P117-0L-MAG
G00009-a4-T5-B4-Rm2-P4-L0	60°-5T-129w-610CL-P117-0L-MAG	G00009-a5-T5-B4-Rm2-P4-L0	75°-5T-129w-610CL-P117-0L-MAG	G00009-a6-T5-B4-Rm2-P4-L0	90°-5T-129w-610CL-P117-0L-MAG
G00009-a4-T6-B4-Rm2-P4-L0	60°-6T-129w-610CL-P117-0L-MAG	G00009-a5-T6-B4-Rm2-P4-L0	75°-6T-129w-610CL-P117-0L-MAG	G00009-a6-T6-B4-Rm2-P4-L0	90°-6T-129w-610CL-P117-0L-MAG
G00009-a4-T7-B4-Rm2-P4-L0	60°-7T-129w-610CL-P117-0L-MAG	G00009-a5-T7-B4-Rm2-P4-L0	75°-7T-129w-610CL-P117-0L-MAG	G00009-a6-T7-B4-Rm2-P4-L0	90°-7T-129w-610CL-P117-0L-MAG
G00009-a4-T8-B4-Rm2-P4-L0	60°-8T-129w-610CL-P117-0L-MAG	G00009-a5-T8-B4-Rm2-P4-L0	75°-8T-129w-610CL-P117-0L-MAG	G00009-a6-T8-B4-Rm2-P4-L0	90°-8T-129w-610CL-P117-0L-MAG

NON STANDARD SIZES ARE AVAILABLE ON REQUEST | STANDARD ORDER QTY: PER SET



CHAINS/BELTS
PG. E44-E45 & PG. E49



MATERIALS



TABLE OF
CONTENTS



BACK TO CORNER TRACKS/
CURVES/BENDS INDEX (G)