

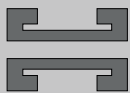
G000010

K325/K330 CORNER TRACKS / CURVES / BENDS TAB

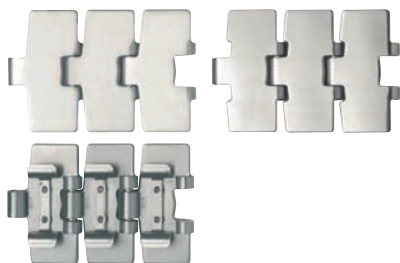


TAB

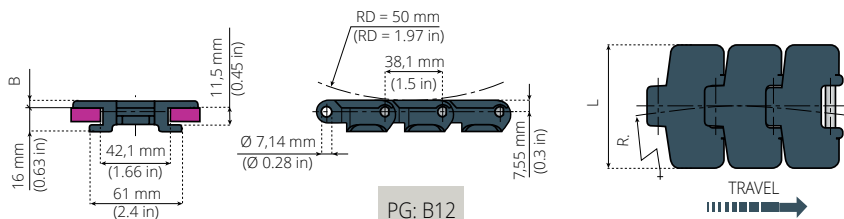
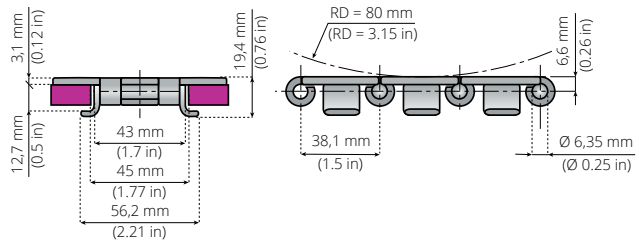
TAB type corner tracks are a more economical solution compared to magnetic curves.



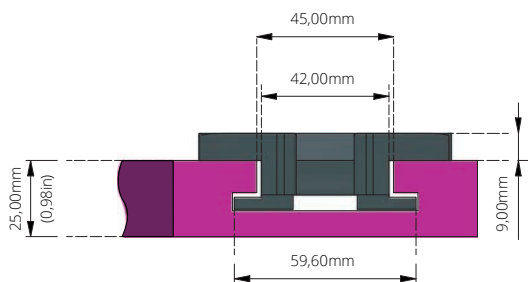
In those applications where cleaning and product support are less important, they can perfectly be used.



PG: A10

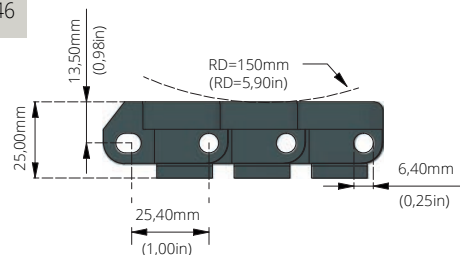


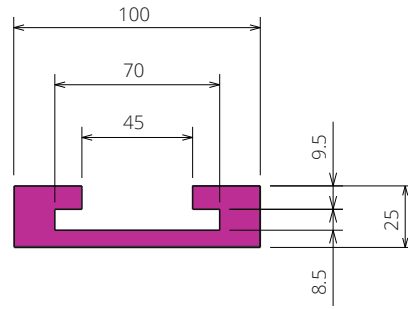
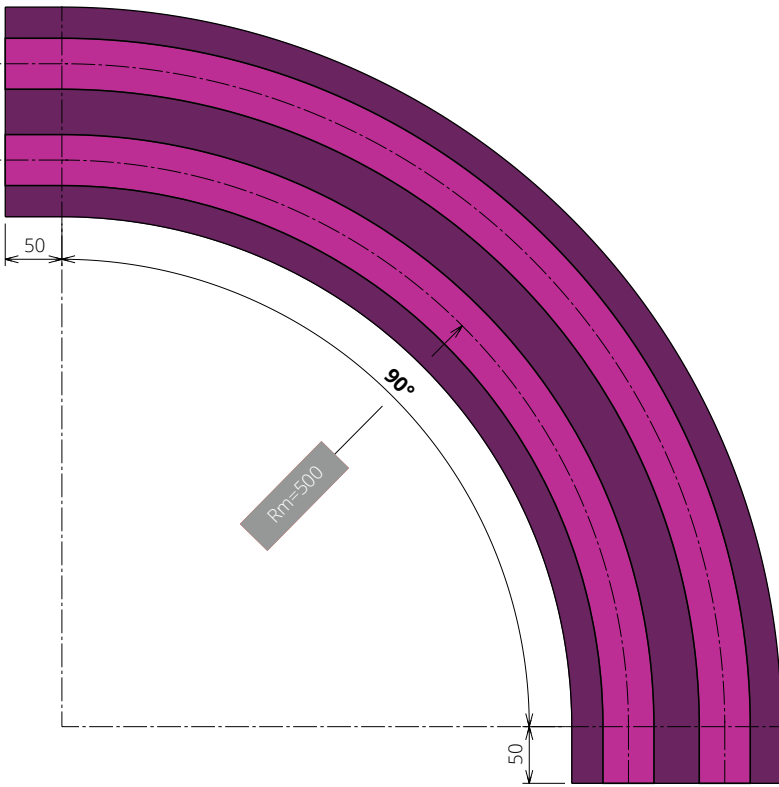
PG: B12



2540-FT-TAB = 9mm TOP PLATE

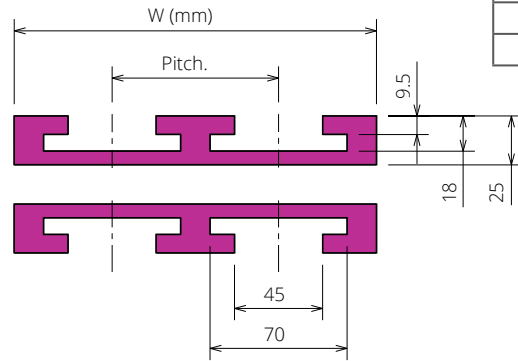
PG: E46





SINGLE TRACK - G000010-a6-T1-B1-Rm1-P0-L1

TRACKS	W
1	100
2	185
3	270
4	355
5	440
6	525
7	610
8	695



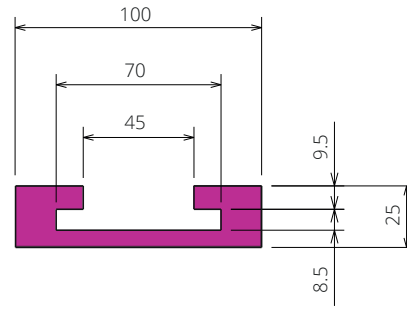
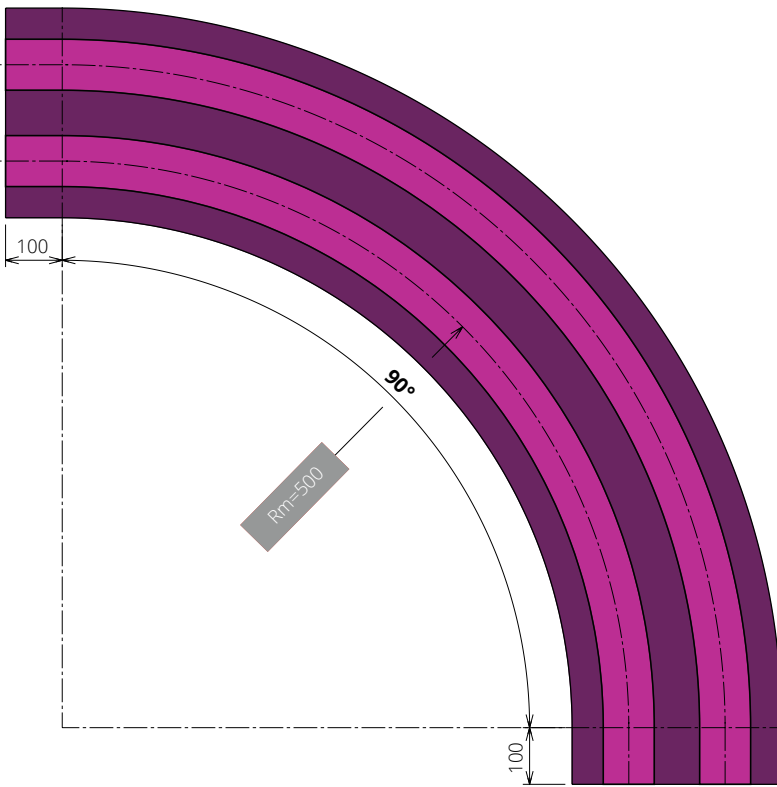
MULTI TRACK - G000010-a6-T2-B1-Rm1-P1-L1

Rm = 500mm - MULTI TRACK - 50mm LEAD IN / LEAD OUT

$\alpha 15^\circ$		$\alpha 30^\circ$		$\alpha 45^\circ$	
CODE	DESCRIPTION	CODE	DESCRIPTION	CODE	DESCRIPTION
G000010-a1-T1-B1-Rm1-P0-L1	15°-1T-100w-500CL-50L-TAB	G000010-a2-T1-B1-Rm1-P0-L1	30°-1T-100w-500CL-50L-TAB	G000010-a3-T1-B1-Rm1-P0-L1	45°-1T-100w-500CL-50L-TAB
G000010-a1-T2-B1-Rm1-P1-L1	15°-2T-100w-500CL-P85-50L-TAB	G000010-a2-T2-B1-Rm1-P1-L1	30°-2T-100w-500CL-P85-50L-TAB	G000010-a3-T2-B1-Rm1-P1-L1	45°-2T-100w-500CL-P85-50L-TAB
G000010-a1-T3-B1-Rm1-P1-L1	15°-3T-100w-500CL-P85-50L-TAB	G000010-a2-T3-B1-Rm1-P1-L1	30°-3T-100w-500CL-P85-50L-TAB	G000010-a3-T3-B1-Rm1-P1-L1	45°-3T-100w-500CL-P85-50L-TAB
G000010-a1-T4-B1-Rm1-P1-L1	15°-4T-100w-500CL-P85-50L-TAB	G000010-a2-T4-B1-Rm1-P1-L1	30°-4T-100w-500CL-P85-50L-TAB	G000010-a3-T4-B1-Rm1-P1-L1	45°-4T-100w-500CL-P85-50L-TAB
G000010-a1-T5-B1-Rm1-P1-L1	15°-5T-100w-500CL-P85-50L-TAB	G000010-a2-T5-B1-Rm1-P1-L1	30°-5T-100w-500CL-P85-50L-TAB	G000010-a3-T5-B1-Rm1-P1-L1	45°-5T-100w-500CL-P85-50L-TAB
G000010-a1-T6-B1-Rm1-P1-L1	15°-6T-100w-500CL-P85-50L-TAB	G000010-a2-T6-B1-Rm1-P1-L1	30°-6T-100w-500CL-P85-50L-TAB	G000010-a3-T6-B1-Rm1-P1-L1	45°-6T-100w-500CL-P85-50L-TAB
G000010-a1-T7-B1-Rm1-P1-L1	15°-7T-100w-500CL-P85-50L-TAB	G000010-a2-T7-B1-Rm1-P1-L1	30°-7T-100w-500CL-P85-50L-TAB	G000010-a3-T7-B1-Rm1-P1-L1	45°-7T-100w-500CL-P85-50L-TAB
G000010-a1-T8-B1-Rm1-P1-L1	15°-8T-100w-500CL-P85-50L-TAB	G000010-a2-T8-B1-Rm1-P1-L1	30°-8T-100w-500CL-P85-50L-TAB	G000010-a3-T8-B1-Rm1-P1-L1	45°-8T-100w-500CL-P85-50L-TAB
$\alpha 60^\circ$		$\alpha 75^\circ$		$\alpha 90^\circ$	
CODE	DESCRIPTION	CODE	DESCRIPTION	CODE	DESCRIPTION
G000010-a4-T1-B1-Rm1-P0-L1	60°-1T-100w-500CL-50L-TAB	G000010-a5-T1-B1-Rm1-P0-L1	75°-1T-100w-500CL-50L-TAB	G000010-a6-T1-B1-Rm1-P0-L1	90°-1T-100w-500CL-50L-TAB
G000010-a4-T2-B1-Rm1-P1-L1	60°-2T-100w-500CL-P85-50L-TAB	G000010-a5-T2-B1-Rm1-P1-L1	75°-2T-100w-500CL-P85-50L-TAB	G000010-a6-T2-B1-Rm1-P1-L1	90°-2T-100w-500CL-P85-50L-TAB
G000010-a4-T3-B1-Rm1-P1-L1	60°-3T-100w-500CL-P85-50L-TAB	G000010-a5-T3-B1-Rm1-P1-L1	75°-3T-100w-500CL-P85-50L-TAB	G000010-a6-T3-B1-Rm1-P1-L1	90°-3T-100w-500CL-P85-50L-TAB
G000010-a4-T4-B1-Rm1-P1-L1	60°-4T-100w-500CL-P85-50L-TAB	G000010-a5-T4-B1-Rm1-P1-L1	75°-4T-100w-500CL-P85-50L-TAB	G000010-a6-T4-B1-Rm1-P1-L1	90°-4T-100w-500CL-P85-50L-TAB
G000010-a4-T5-B1-Rm1-P1-L1	60°-5T-100w-500CL-P85-50L-TAB	G000010-a5-T5-B1-Rm1-P1-L1	75°-5T-100w-500CL-P85-50L-TAB	G000010-a6-T5-B1-Rm1-P1-L1	90°-5T-100w-500CL-P85-50L-TAB
G000010-a4-T6-B1-Rm1-P1-L1	60°-6T-100w-500CL-P85-50L-TAB	G000010-a5-T6-B1-Rm1-P1-L1	75°-6T-100w-500CL-P85-50L-TAB	G000010-a6-T6-B1-Rm1-P1-L1	90°-6T-100w-500CL-P85-50L-TAB
G000010-a4-T7-B1-Rm1-P1-L1	60°-7T-100w-500CL-P85-50L-TAB	G000010-a5-T7-B1-Rm1-P1-L1	75°-7T-100w-500CL-P85-50L-TAB	G000010-a6-T7-B1-Rm1-P1-L1	90°-7T-100w-500CL-P85-50L-TAB
G000010-a4-T8-B1-Rm1-P1-L1	60°-8T-100w-500CL-P85-50L-TAB	G000010-a5-T8-B1-Rm1-P1-L1	75°-8T-100w-500CL-P85-50L-TAB	G000010-a6-T8-B1-Rm1-P1-L1	90°-8T-100w-500CL-P85-50L-TAB

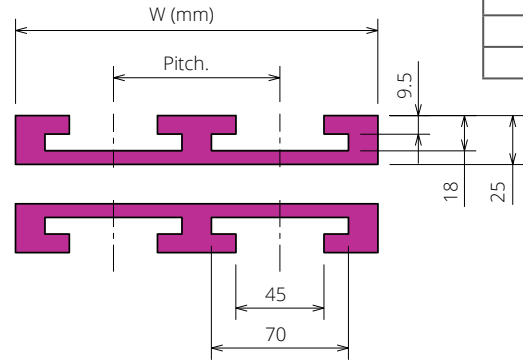
NON STANDARD SIZES ARE AVAILABLE ON REQUEST.
 STANDARD ORDER QTY: PER SET





SINGLE TRACK - G000010-a6-T1-B1-Rm1-P0-L2

TRACKS	W
1	100
2	185
3	270
4	355
5	440
6	525
7	610
8	695



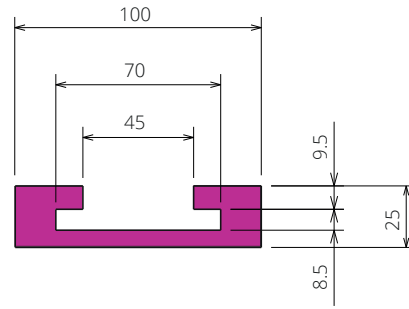
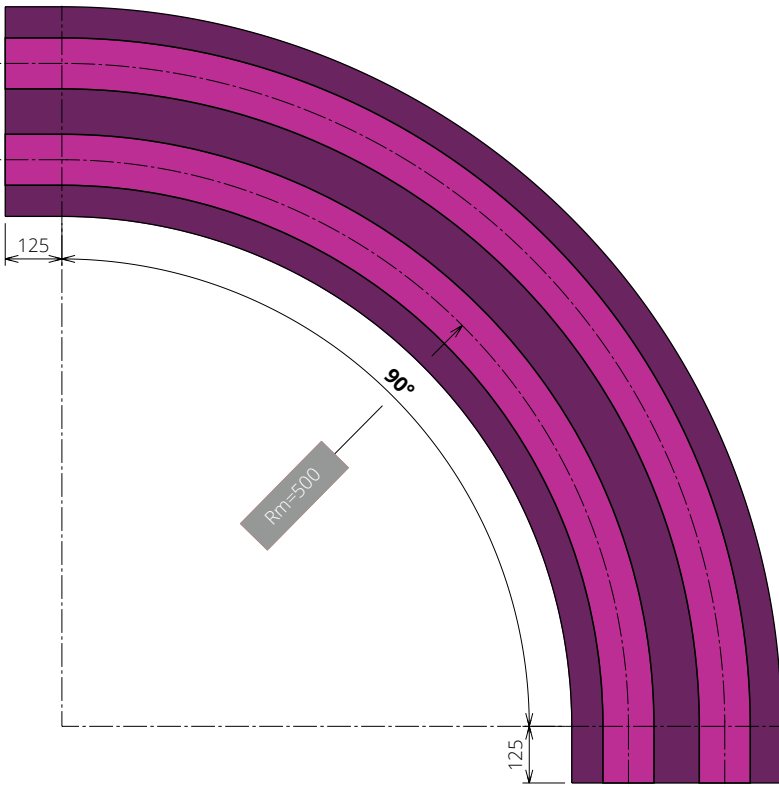
MULTI TRACK - G000010-a6-T2-B1-Rm1-P1-L2

Rm = 500mm - MULTI TRACK - 100mm LEAD IN / LEAD OUT

$\alpha 15^\circ$		$\alpha 30^\circ$		$\alpha 45^\circ$	
CODE	DESCRIPTION	CODE	DESCRIPTION	CODE	DESCRIPTION
G000010-a1-T1-B1-Rm1-P0-L2	15°-1T-100w-500CL-100L-TAB	G000010-a2-T1-B1-Rm1-P0-L2	30°-1T-100w-500CL-100L-TAB	G000010- a3- T1-B1-Rm1-P0-L2	45°-1T-100w-500CL-100L-TAB
G000010-a1-T2-B1-Rm1-P1-L2	15°-2T-100w-500CL-P85-100L-TAB	G000010-a2-T2-B1-Rm1-P1-L2	30°-2T-100w-500CL-P85-100L-TAB	G000010- a3- T2-B1-Rm1-P1-L2	45°-2T-100w-500CL-P85-100L-TAB
G000010-a1-T3-B1-Rm1-P1-L2	15°-3T-100w-500CL-P85-100L-TAB	G000010-a2-T3-B1-Rm1-P1-L2	30°-3T-100w-500CL-P85-100L-TAB	G000010- a3- T3-B1-Rm1-P1-L2	45°-3T-100w-500CL-P85-100L-TAB
G000010-a1-T4-B1-Rm1-P1-L2	15°-4T-100w-500CL-P85-100L-TAB	G000010-a2-T4-B1-Rm1-P1-L2	30°-4T-100w-500CL-P85-100L-TAB	G000010- a3- T4-B1-Rm1-P1-L2	45°-4T-100w-500CL-P85-100L-TAB
G000010-a1-T5-B1-Rm1-P1-L2	15°-5T-100w-500CL-P85-100L-TAB	G000010-a2-T5-B1-Rm1-P1-L2	30°-5T-100w-500CL-P85-100L-TAB	G000010- a3- T5-B1-Rm1-P1-L2	45°-5T-100w-500CL-P85-100L-TAB
G000010-a1-T6-B1-Rm1-P1-L2	15°-6T-100w-500CL-P85-100L-TAB	G000010-a2-T6-B1-Rm1-P1-L2	30°-6T-100w-500CL-P85-100L-TAB	G000010- a3- T6-B1-Rm1-P1-L2	45°-6T-100w-500CL-P85-100L-TAB
G000010-a1-T7-B1-Rm1-P1-L2	15°-7T-100w-500CL-P85-100L-TAB	G000010-a2-T7-B1-Rm1-P1-L2	30°-7T-100w-500CL-P85-100L-TAB	G000010- a3- T7-B1-Rm1-P1-L2	45°-7T-100w-500CL-P85-100L-TAB
G000010-a1-T8-B1-Rm1-P1-L2	15°-8T-100w-500CL-P85-100L-TAB	G000010-a2-T8-B1-Rm1-P1-L2	30°-8T-100w-500CL-P85-100L-TAB	G000010- a3- T8-B1-Rm1-P1-L2	45°-8T-100w-500CL-P85-100L-TAB
$\alpha 60^\circ$		$\alpha 75^\circ$		$\alpha 90^\circ$	
CODE	DESCRIPTION	CODE	DESCRIPTION	CODE	DESCRIPTION
G000010-a4-T1-B1-Rm1-P0-L2	60°-1T-100w-500CL-100L-TAB	G000010-a5-T1-B1-Rm1-P0-L2	75°-1T-100w-500CL-100L-TAB	G000010-a6-T1-B1-Rm1-P0-L2	90°-1T-100w-500CL-100L-TAB
G000010-a4-T2-B1-Rm1-P1-L2	60°-2T-100w-500CL-P85-100L-TAB	G000010-a5-T2-B1-Rm1-P1-L2	75°-2T-100w-500CL-P85-100L-TAB	G000010-a6-T2-B1-Rm1-P1-L2	90°-2T-100w-500CL-P85-100L-TAB
G000010-a4-T3-B1-Rm1-P1-L2	60°-3T-100w-500CL-P85-100L-TAB	G000010-a5-T3-B1-Rm1-P1-L2	75°-3T-100w-500CL-P85-100L-TAB	G000010-a6-T3-B1-Rm1-P1-L2	90°-3T-100w-500CL-P85-100L-TAB
G000010-a4-T4-B1-Rm1-P1-L2	60°-4T-100w-500CL-P85-100L-TAB	G000010-a5-T4-B1-Rm1-P1-L2	75°-4T-100w-500CL-P85-100L-TAB	G000010-a6-T4-B1-Rm1-P1-L2	90°-4T-100w-500CL-P85-100L-TAB
G000010-a4-T5-B1-Rm1-P1-L2	60°-5T-100w-500CL-P85-100L-TAB	G000010-a5-T5-B1-Rm1-P1-L2	75°-5T-100w-500CL-P85-100L-TAB	G000010-a6-T5-B1-Rm1-P1-L2	90°-5T-100w-500CL-P85-100L-TAB
G000010-a4-T6-B1-Rm1-P1-L2	60°-6T-100w-500CL-P85-100L-TAB	G000010-a5-T6-B1-Rm1-P1-L2	75°-6T-100w-500CL-P85-100L-TAB	G000010-a6-T6-B1-Rm1-P1-L2	90°-6T-100w-500CL-P85-100L-TAB
G000010-a4-T7-B1-Rm1-P1-L2	60°-7T-100w-500CL-P85-100L-TAB	G000010-a5-T7-B1-Rm1-P1-L2	75°-7T-100w-500CL-P85-100L-TAB	G000010-a6-T7-B1-Rm1-P1-L2	90°-7T-100w-500CL-P85-100L-TAB
G000010-a4-T8-B1-Rm1-P1-L2	60°-8T-100w-500CL-P85-100L-TAB	G000010-a5-T8-B1-Rm1-P1-L2	75°-8T-100w-500CL-P85-100L-TAB	G000010-a6-T8-B1-Rm1-P1-L2	90°-8T-100w-500CL-P85-100L-TAB

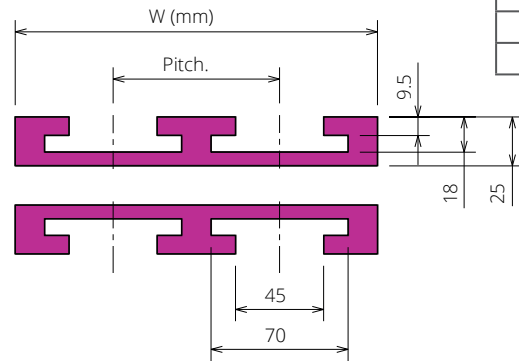
NON STANDARD SIZES ARE AVAILABLE ON REQUEST.
 STANDARD ORDER QTY: PER SET





SINGLE TRACK - G000010-a6-T1-B1-Rm1-P0-L3

TRACKS	W
1	100
2	185
3	270
4	355
5	440
6	525
7	610
8	695

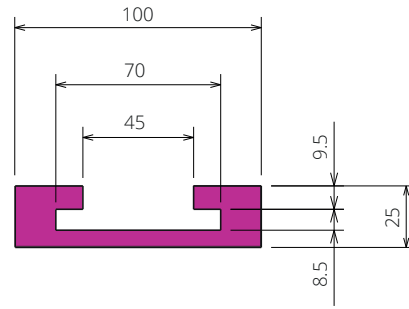
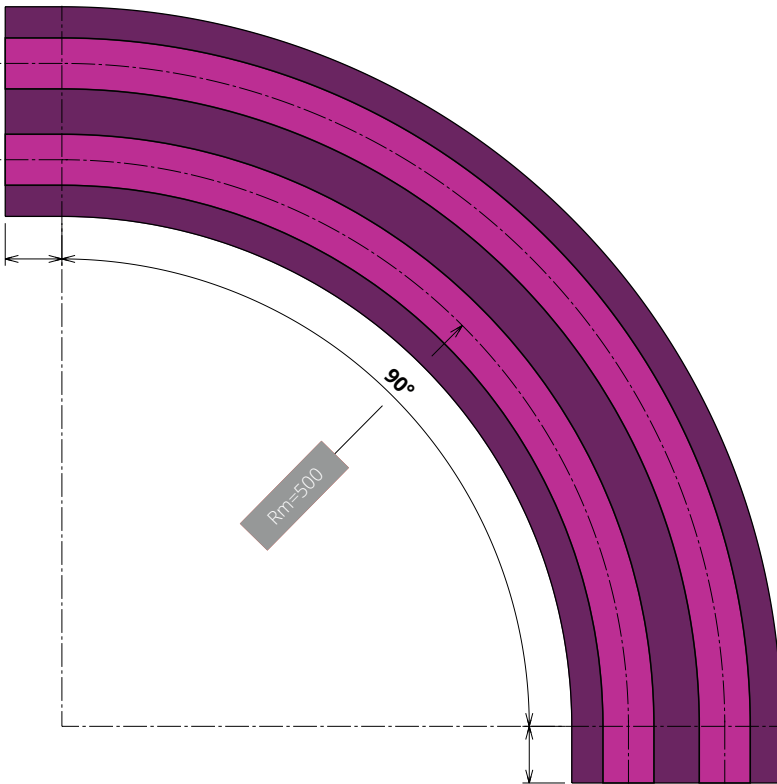


MULTI TRACK - G000010-a6-T2-B1-Rm1-P1-L3

Rm = 500mm - MULTI TRACK - 125mm LEAD IN / LEAD OUT

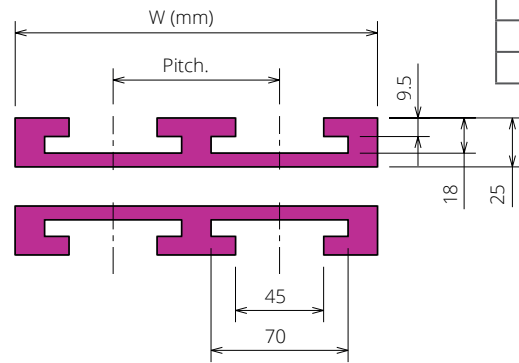
α 15°		α 30°		α 45°	
CODE	DESCRIPTION	CODE	DESCRIPTION	CODE	DESCRIPTION
G000010-a1-T1-B1-Rm1-P0-L3	15°-1T-100w-500CL-125L-TAB	G000010-a2-T1-B1-Rm1-P0-L3	30°-1T-100w-500CL-125L-TAB	G000010-a3-T1-B1-Rm1-P0-L3	45°-1T-100w-500CL-125L-TAB
G000010-a1-T2-B1-Rm1-P1-L3	15°-2T-100w-500CL-P85-125L-TAB	G000010-a2-T2-B1-Rm1-P1-L3	30°-2T-100w-500CL-P85-125L-TAB	G000010-a3-T2-B1-Rm1-P1-L3	45°-2T-100w-500CL-P85-125L-TAB
G000010-a1-T3-B1-Rm1-P1-L3	15°-3T-100w-500CL-P85-125L-TAB	G000010-a2-T3-B1-Rm1-P1-L3	30°-3T-100w-500CL-P85-125L-TAB	G000010-a3-T3-B1-Rm1-P1-L3	45°-3T-100w-500CL-P85-125L-TAB
G000010-a1-T4-B1-Rm1-P1-L3	15°-4T-100w-500CL-P85-125L-TAB	G000010-a2-T4-B1-Rm1-P1-L3	30°-4T-100w-500CL-P85-125L-TAB	G000010-a3-T4-B1-Rm1-P1-L3	45°-4T-100w-500CL-P85-125L-TAB
G000010-a1-T5-B1-Rm1-P1-L3	15°-5T-100w-500CL-P85-125L-TAB	G000010-a2-T5-B1-Rm1-P1-L3	30°-5T-100w-500CL-P85-125L-TAB	G000010-a3-T5-B1-Rm1-P1-L3	45°-5T-100w-500CL-P85-125L-TAB
G000010-a1-T6-B1-Rm1-P1-L3	15°-6T-100w-500CL-P85-125L-TAB	G000010-a2-T6-B1-Rm1-P1-L3	30°-6T-100w-500CL-P85-125L-TAB	G000010-a3-T6-B1-Rm1-P1-L3	45°-6T-100w-500CL-P85-125L-TAB
G000010-a1-T7-B1-Rm1-P1-L3	15°-7T-100w-500CL-P85-125L-TAB	G000010-a2-T7-B1-Rm1-P1-L3	30°-7T-100w-500CL-P85-125L-TAB	G000010-a3-T7-B1-Rm1-P1-L3	45°-7T-100w-500CL-P85-125L-TAB
G000010-a1-T8-B1-Rm1-P1-L3	15°-8T-100w-500CL-P85-125L-TAB	G000010-a2-T8-B1-Rm1-P1-L3	30°-8T-100w-500CL-P85-125L-TAB	G000010-a3-T8-B1-Rm1-P1-L3	45°-8T-100w-500CL-P85-125L-TAB
α 60°		α 75°		α 90°	
CODE	DESCRIPTION	CODE	DESCRIPTION	CODE	DESCRIPTION
G000010-a4-T1-B1-Rm1-P0-L3	60°-1T-100w-500CL-125L-TAB	G000010-a5-T1-B1-Rm1-P0-L3	75°-1T-100w-500CL-125L-TAB	G000010-a6-T1-B1-Rm1-P0-L3	90°-1T-100w-500CL-125L-TAB
G000010-a4-T2-B1-Rm1-P1-L3	60°-2T-100w-500CL-P85-125L-TAB	G000010-a5-T2-B1-Rm1-P1-L3	75°-2T-100w-500CL-P85-125L-TAB	G000010-a6-T2-B1-Rm1-P1-L3	90°-2T-100w-500CL-P85-125L-TAB
G000010-a4-T3-B1-Rm1-P1-L3	60°-3T-100w-500CL-P85-125L-TAB	G000010-a5-T3-B1-Rm1-P1-L3	75°-3T-100w-500CL-P85-125L-TAB	G000010-a6-T3-B1-Rm1-P1-L3	90°-3T-100w-500CL-P85-125L-TAB
G000010-a4-T4-B1-Rm1-P1-L3	60°-4T-100w-500CL-P85-125L-TAB	G000010-a5-T4-B1-Rm1-P1-L3	75°-4T-100w-500CL-P85-125L-TAB	G000010-a6-T4-B1-Rm1-P1-L3	90°-4T-100w-500CL-P85-125L-TAB
G000010-a4-T5-B1-Rm1-P1-L3	60°-5T-100w-500CL-P85-125L-TAB	G000010-a5-T5-B1-Rm1-P1-L3	75°-5T-100w-500CL-P85-125L-TAB	G000010-a6-T5-B1-Rm1-P1-L3	90°-5T-100w-500CL-P85-125L-TAB
G000010-a4-T6-B1-Rm1-P1-L3	60°-6T-100w-500CL-P85-125L-TAB	G000010-a5-T6-B1-Rm1-P1-L3	75°-6T-100w-500CL-P85-125L-TAB	G000010-a6-T6-B1-Rm1-P1-L3	90°-6T-100w-500CL-P85-125L-TAB
G000010-a4-T7-B1-Rm1-P1-L3	60°-7T-100w-500CL-P85-125L-TAB	G000010-a5-T7-B1-Rm1-P1-L3	75°-7T-100w-500CL-P85-125L-TAB	G000010-a6-T7-B1-Rm1-P1-L3	90°-7T-100w-500CL-P85-125L-TAB
G000010-a4-T8-B1-Rm1-P1-L3	60°-8T-100w-500CL-P85-125L-TAB	G000010-a5-T8-B1-Rm1-P1-L3	75°-8T-100w-500CL-P85-125L-TAB	G000010-a6-T8-B1-Rm1-P1-L3	90°-8T-100w-500CL-P85-125L-TAB

NON STANDARD SIZES ARE AVAILABLE ON REQUEST.
 STANDARD ORDER QTY: PER SET



SINGLE TRACK - G000010-a6-T1-B1-Rm1-P0-L0

TRACKS	W
1	100
2	185
3	270
4	355
5	440
6	525
7	610
8	695



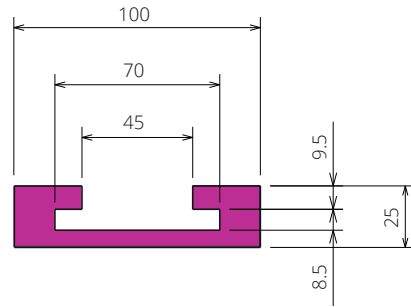
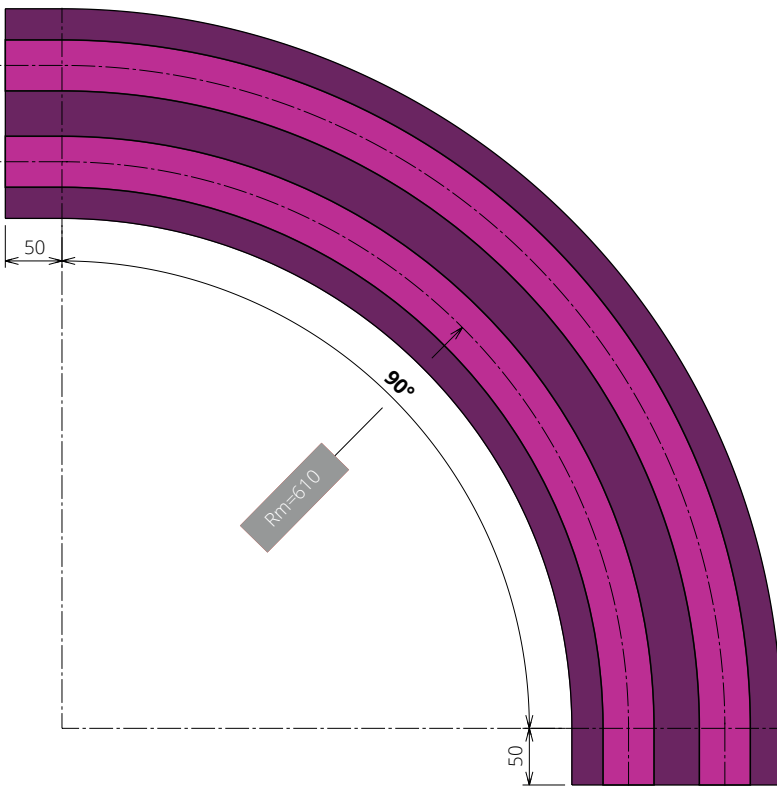
MULTI TRACK - G000010-a6-T2-B1-Rm1-P1-L0

Rm = 500mm - MULTI TRACK - NO LEAD IN / LEAD OUT

$\alpha 15^\circ$		$\alpha 30^\circ$		$\alpha 45^\circ$	
CODE	DESCRIPTION	CODE	DESCRIPTION	CODE	DESCRIPTION
G000010-a1-T1-B1-Rm1-P0-L0	15°-1T-100w-500CL-0L-TAB	G000010-a2-T1-B1-Rm1-P0-L0	30°-1T-100w-500CL-0L-TAB	G000010-a3-T1-B1-Rm1-P0-L0	45°-1T-100w-500CL-0L-TAB
G000010-a1-T2-B1-Rm1-P1-L0	15°-2T-100w-500CL-P85-0L-TAB	G000010-a2-T2-B1-Rm1-P1-L0	30°-2T-100w-500CL-P85-0L-TAB	G000010-a3-T2-B1-Rm1-P1-L0	45°-2T-100w-500CL-P85-0L-TAB
G000010-a1-T3-B1-Rm1-P1-L0	15°-3T-100w-500CL-P85-0L-TAB	G000010-a2-T3-B1-Rm1-P1-L0	30°-3T-100w-500CL-P85-0L-TAB	G000010-a3-T3-B1-Rm1-P1-L0	45°-3T-100w-500CL-P85-0L-TAB
G000010-a1-T4-B1-Rm1-P1-L0	15°-4T-100w-500CL-P85-0L-TAB	G000010-a2-T4-B1-Rm1-P1-L0	30°-4T-100w-500CL-P85-0L-TAB	G000010-a3-T4-B1-Rm1-P1-L0	45°-4T-100w-500CL-P85-0L-TAB
G000010-a1-T5-B1-Rm1-P1-L0	15°-5T-100w-500CL-P85-0L-TAB	G000010-a2-T5-B1-Rm1-P1-L0	30°-5T-100w-500CL-P85-0L-TAB	G000010-a3-T5-B1-Rm1-P1-L0	45°-5T-100w-500CL-P85-0L-TAB
G000010-a1-T6-B1-Rm1-P1-L0	15°-6T-100w-500CL-P85-0L-TAB	G000010-a2-T6-B1-Rm1-P1-L0	30°-6T-100w-500CL-P85-0L-TAB	G000010-a3-T6-B1-Rm1-P1-L0	45°-6T-100w-500CL-P85-0L-TAB
G000010-a1-T7-B1-Rm1-P1-L0	15°-7T-100w-500CL-P85-0L-TAB	G000010-a2-T7-B1-Rm1-P1-L0	30°-7T-100w-500CL-P85-0L-TAB	G000010-a3-T7-B1-Rm1-P1-L0	45°-7T-100w-500CL-P85-0L-TAB
G000010-a1-T8-B1-Rm1-P1-L0	15°-8T-100w-500CL-P85-0L-TAB	G000010-a2-T8-B1-Rm1-P1-L0	30°-8T-100w-500CL-P85-0L-TAB	G000010-a3-T8-B1-Rm1-P1-L0	45°-8T-100w-500CL-P85-0L-TAB
$\alpha 60^\circ$		$\alpha 75^\circ$		$\alpha 90^\circ$	
CODE	DESCRIPTION	CODE	DESCRIPTION	CODE	DESCRIPTION
G000010-a4-T1-B1-Rm1-P0-L0	60°-1T-100w-500CL-0L-TAB	G000010-a5-T1-B1-Rm1-P0-L0	75°-1T-100w-500CL-0L-TAB	G000010-a6-T1-B1-Rm1-P0-L0	90°-1T-100w-500CL-0L-TAB
G000010-a4-T2-B1-Rm1-P1-L0	60°-2T-100w-500CL-P85-0L-TAB	G000010-a5-T2-B1-Rm1-P1-L0	75°-2T-100w-500CL-P85-0L-TAB	G000010-a6-T2-B1-Rm1-P1-L0	90°-2T-100w-500CL-P85-0L-TAB
G000010-a4-T3-B1-Rm1-P1-L0	60°-3T-100w-500CL-P85-0L-TAB	G000010-a5-T3-B1-Rm1-P1-L0	75°-3T-100w-500CL-P85-0L-TAB	G000010-a6-T3-B1-Rm1-P1-L0	90°-3T-100w-500CL-P85-0L-TAB
G000010-a4-T4-B1-Rm1-P1-L0	60°-4T-100w-500CL-P85-0L-TAB	G000010-a5-T4-B1-Rm1-P1-L0	75°-4T-100w-500CL-P85-0L-TAB	G000010-a6-T4-B1-Rm1-P1-L0	90°-4T-100w-500CL-P85-0L-TAB
G000010-a4-T5-B1-Rm1-P1-L0	60°-5T-100w-500CL-P85-0L-TAB	G000010-a5-T5-B1-Rm1-P1-L0	75°-5T-100w-500CL-P85-0L-TAB	G000010-a6-T5-B1-Rm1-P1-L0	90°-5T-100w-500CL-P85-0L-TAB
G000010-a4-T6-B1-Rm1-P1-L0	60°-6T-100w-500CL-P85-0L-TAB	G000010-a5-T6-B1-Rm1-P1-L0	75°-6T-100w-500CL-P85-0L-TAB	G000010-a6-T6-B1-Rm1-P1-L0	90°-6T-100w-500CL-P85-0L-TAB
G000010-a4-T7-B1-Rm1-P1-L0	60°-7T-100w-500CL-P85-0L-TAB	G000010-a5-T7-B1-Rm1-P1-L0	75°-7T-100w-500CL-P85-0L-TAB	G000010-a6-T7-B1-Rm1-P1-L0	90°-7T-100w-500CL-P85-0L-TAB
G000010-a4-T8-B1-Rm1-P1-L0	60°-8T-100w-500CL-P85-0L-TAB	G000010-a5-T8-B1-Rm1-P1-L0	75°-8T-100w-500CL-P85-0L-TAB	G000010-a6-T8-B1-Rm1-P1-L0	90°-8T-100w-500CL-P85-0L-TAB

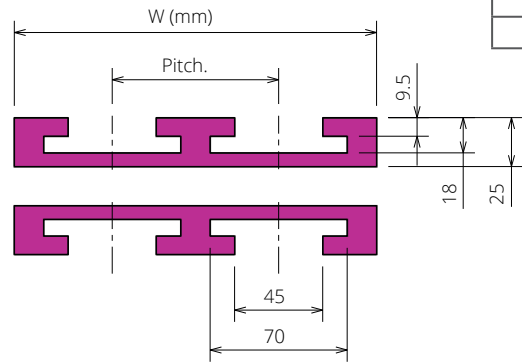
NON STANDARD SIZES ARE AVAILABLE ON REQUEST.
 STANDARD ORDER QTY: PER SET





SINGLE TRACK - G000010-a6-T1-B1-Rm2-P0-L1

TRACKS	W
1	100
2	185
3	270
4	355
5	440
6	525
7	610
8	695



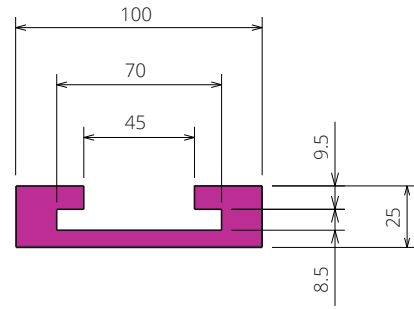
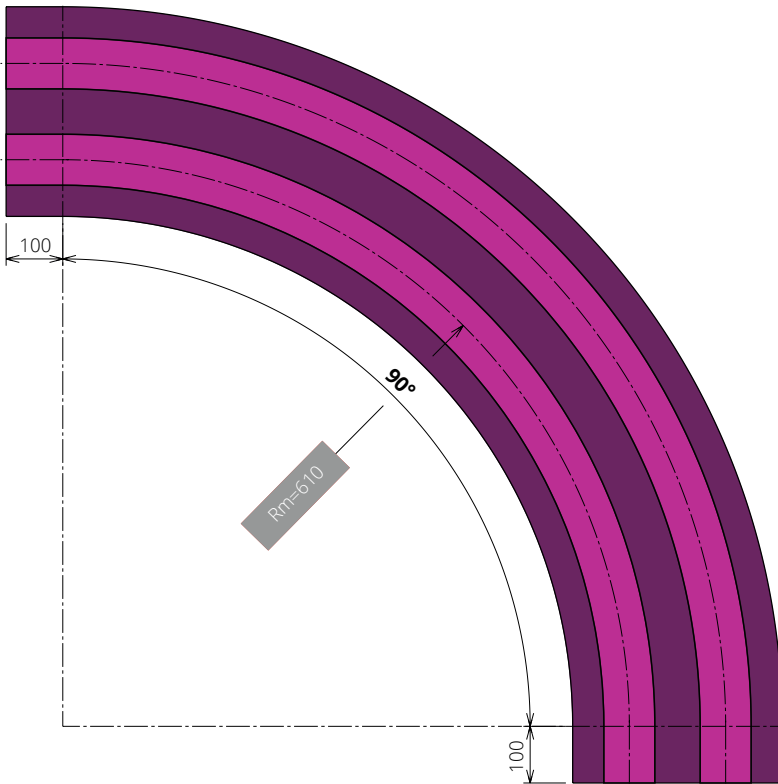
MULTI TRACK - G000010-a6-T2-B1-Rm2-P1-L1

Rm = 610mm - MULTI TRACK - 50mm LEAD IN / LEAD OUT

$\alpha 15^\circ$		$\alpha 30^\circ$		$\alpha 45^\circ$	
CODE	DESCRIPTION	CODE	DESCRIPTION	CODE	DESCRIPTION
G000010-a1-T1-B1-Rm2-P0-L1	15°-1T-100w-610CL-50L-TAB	G000010-a2-T1-B1-Rm2-P0-L1	30°-1T-100w-610CL-50L-TAB	G000010-a3-T1-B1-Rm2-P0-L1	45°-1T-100w-610CL-50L-TAB
G000010-a1-T2-B1-Rm2-P1-L1	15°-2T-100w-610CL-P85-50L-TAB	G000010-a2-T2-B1-Rm2-P1-L1	30°-2T-100w-610CL-P85-50L-TAB	G000010-a3-T2-B1-Rm2-P1-L1	45°-2T-100w-610CL-P85-50L-TAB
G000010-a1-T3-B1-Rm2-P1-L1	15°-3T-100w-610CL-P85-50L-TAB	G000010-a2-T3-B1-Rm2-P1-L1	30°-3T-100w-610CL-P85-50L-TAB	G000010-a3-T3-B1-Rm2-P1-L1	45°-3T-100w-610CL-P85-50L-TAB
G000010-a1-T4-B1-Rm2-P1-L1	15°-4T-100w-610CL-P85-50L-TAB	G000010-a2-T4-B1-Rm2-P1-L1	30°-4T-100w-610CL-P85-50L-TAB	G000010-a3-T4-B1-Rm2-P1-L1	45°-4T-100w-610CL-P85-50L-TAB
G000010-a1-T5-B1-Rm2-P1-L1	15°-5T-100w-610CL-P85-50L-TAB	G000010-a2-T5-B1-Rm2-P1-L1	30°-5T-100w-610CL-P85-50L-TAB	G000010-a3-T5-B1-Rm2-P1-L1	45°-5T-100w-610CL-P85-50L-TAB
G000010-a1-T6-B1-Rm2-P1-L1	15°-6T-100w-610CL-P85-50L-TAB	G000010-a2-T6-B1-Rm2-P1-L1	30°-6T-100w-610CL-P85-50L-TAB	G000010-a3-T6-B1-Rm2-P1-L1	45°-6T-100w-610CL-P85-50L-TAB
G000010-a1-T7-B1-Rm2-P1-L1	15°-7T-100w-610CL-P85-50L-TAB	G000010-a2-T7-B1-Rm2-P1-L1	30°-7T-100w-610CL-P85-50L-TAB	G000010-a3-T7-B1-Rm2-P1-L1	45°-7T-100w-610CL-P85-50L-TAB
G000010-a1-T8-B1-Rm2-P1-L1	15°-8T-100w-610CL-P85-50L-TAB	G000010-a2-T8-B1-Rm2-P1-L1	30°-8T-100w-610CL-P85-50L-TAB	G000010-a3-T8-B1-Rm2-P1-L1	45°-8T-100w-610CL-P85-50L-TAB
$\alpha 60^\circ$		$\alpha 75^\circ$		$\alpha 90^\circ$	
CODE	DESCRIPTION	CODE	DESCRIPTION	CODE	DESCRIPTION
G000010-a4-T1-B1-Rm2-P0-L1	60°-1T-100w-610CL-50L-TAB	G000010-a5-T1-B1-Rm2-P0-L1	75°-1T-100w-610CL-50L-TAB	G000010-a6-T1-B1-Rm2-P0-L1	90°-1T-100w-610CL-50L-TAB
G000010-a4-T2-B1-Rm2-P1-L1	60°-2T-100w-610CL-P85-50L-TAB	G000010-a5-T2-B1-Rm2-P1-L1	75°-2T-100w-610CL-P85-50L-TAB	G000010-a6-T2-B1-Rm2-P1-L1	90°-2T-100w-610CL-P85-50L-TAB
G000010-a4-T3-B1-Rm2-P1-L1	60°-3T-100w-610CL-P85-50L-TAB	G000010-a5-T3-B1-Rm2-P1-L1	75°-3T-100w-610CL-P85-50L-TAB	G000010-a6-T3-B1-Rm2-P1-L1	90°-3T-100w-610CL-P85-50L-TAB
G000010-a4-T4-B1-Rm2-P1-L1	60°-4T-100w-610CL-P85-50L-TAB	G000010-a5-T4-B1-Rm2-P1-L1	75°-4T-100w-610CL-P85-50L-TAB	G000010-a6-T4-B1-Rm2-P1-L1	90°-4T-100w-610CL-P85-50L-TAB
G000010-a4-T5-B1-Rm2-P1-L1	60°-5T-100w-610CL-P85-50L-TAB	G000010-a5-T5-B1-Rm2-P1-L1	75°-5T-100w-610CL-P85-50L-TAB	G000010-a6-T5-B1-Rm2-P1-L1	90°-5T-100w-610CL-P85-50L-TAB
G000010-a4-T6-B1-Rm2-P1-L1	60°-6T-100w-610CL-P85-50L-TAB	G000010-a5-T6-B1-Rm2-P1-L1	75°-6T-100w-610CL-P85-50L-TAB	G000010-a6-T6-B1-Rm2-P1-L1	90°-6T-100w-610CL-P85-50L-TAB
G000010-a4-T7-B1-Rm2-P1-L1	60°-7T-100w-610CL-P85-50L-TAB	G000010-a5-T7-B1-Rm2-P1-L1	75°-7T-100w-610CL-P85-50L-TAB	G000010-a6-T7-B1-Rm2-P1-L1	90°-7T-100w-610CL-P85-50L-TAB
G000010-a4-T8-B1-Rm2-P1-L1	60°-8T-100w-610CL-P85-50L-TAB	G000010-a5-T8-B1-Rm2-P1-L1	75°-8T-100w-610CL-P85-50L-TAB	G000010-a6-T8-B1-Rm2-P1-L1	90°-8T-100w-610CL-P85-50L-TAB

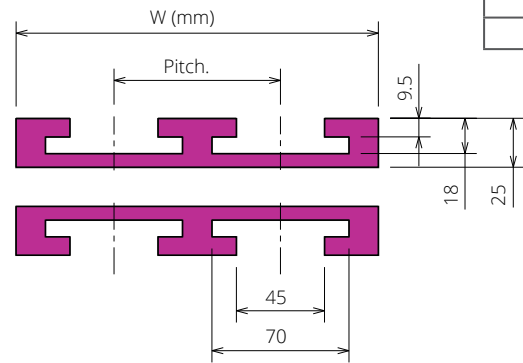
NON STANDARD SIZES ARE AVAILABLE ON REQUEST.
 STANDARD ORDER QTY: PER SET





SINGLE TRACK - G000010-a6-T1-B1-Rm2-P0-L2

TRACKS	W
1	100
2	185
3	270
4	355
5	440
6	525
7	610
8	695

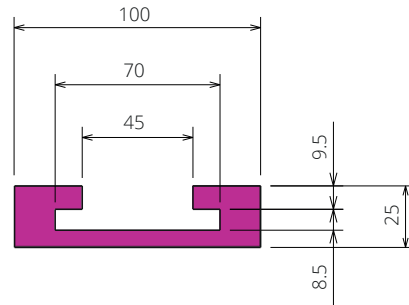
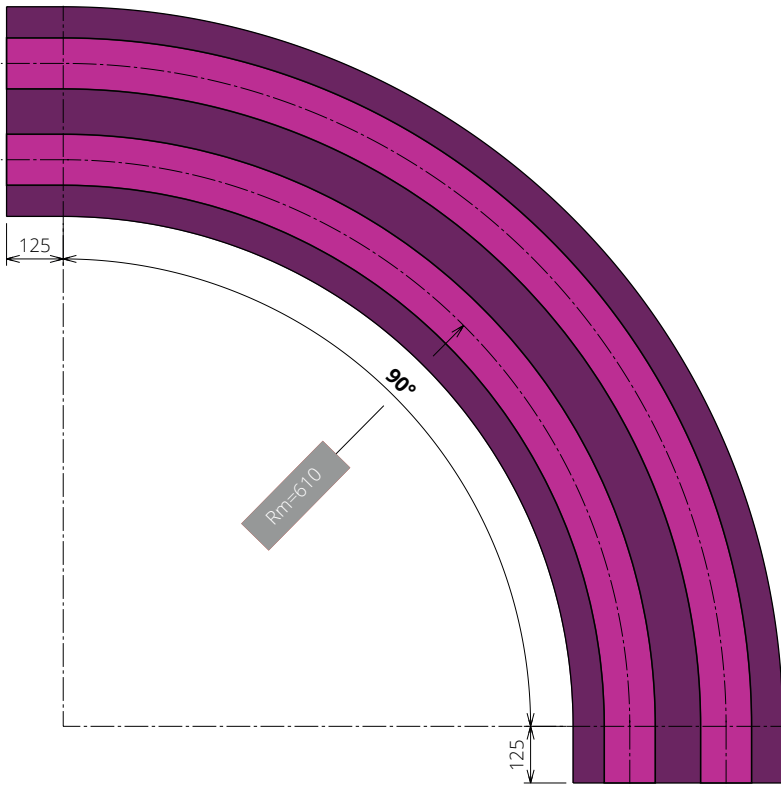


MULTI TRACK - G000010-a6-T2-B1-Rm2-P1-L2

Rm = 610mm - MULTI TRACK - 100mm LEAD IN / LEAD OUT

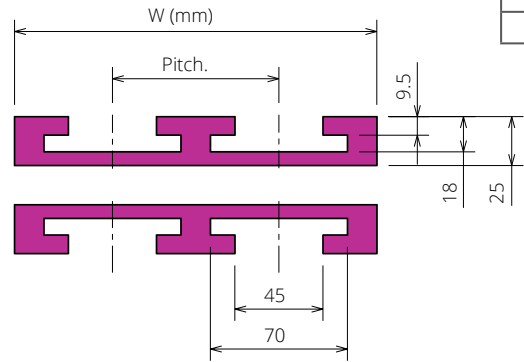
$\alpha 15^\circ$		$\alpha 30^\circ$		$\alpha 45^\circ$	
CODE	DESCRIPTION	CODE	DESCRIPTION	CODE	DESCRIPTION
G000010-a1-T1-B1-Rm2-P0-L2	15°-1T-100w-610CL-100L-TAB	G000010-a2-T1-B1-Rm2-P0-L2	30°-1T-100w-610CL-100L-TAB	G000010-a3-T1-B1-Rm2-P0-L2	45°-1T-100w-610CL-100L-TAB
G000010-a1-T2-B1-Rm2-P1-L2	15°-2T-100w-610CL-P85-100L-TAB	G000010-a2-T2-B1-Rm2-P1-L2	30°-2T-100w-610CL-P85-100L-TAB	G000010-a3-T2-B1-Rm2-P1-L2	45°-2T-100w-610CL-P85-100L-TAB
G000010-a1-T3-B1-Rm2-P1-L2	15°-3T-100w-610CL-P85-100L-TAB	G000010-a2-T3-B1-Rm2-P1-L2	30°-3T-100w-610CL-P85-100L-TAB	G000010-a3-T3-B1-Rm2-P1-L2	45°-3T-100w-610CL-P85-100L-TAB
G000010-a1-T4-B1-Rm2-P1-L2	15°-4T-100w-610CL-P85-100L-TAB	G000010-a2-T4-B1-Rm2-P1-L2	30°-4T-100w-610CL-P85-100L-TAB	G000010-a3-T4-B1-Rm2-P1-L2	45°-4T-100w-610CL-P85-100L-TAB
G000010-a1-T5-B1-Rm2-P1-L2	15°-5T-100w-610CL-P85-100L-TAB	G000010-a2-T5-B1-Rm2-P1-L2	30°-5T-100w-610CL-P85-100L-TAB	G000010-a3-T5-B1-Rm2-P1-L2	45°-5T-100w-610CL-P85-100L-TAB
G000010-a1-T6-B1-Rm2-P1-L2	15°-6T-100w-610CL-P85-100L-TAB	G000010-a2-T6-B1-Rm2-P1-L2	30°-6T-100w-610CL-P85-100L-TAB	G000010-a3-T6-B1-Rm2-P1-L2	45°-6T-100w-610CL-P85-100L-TAB
G000010-a1-T7-B1-Rm2-P1-L2	15°-7T-100w-610CL-P85-100L-TAB	G000010-a2-T7-B1-Rm2-P1-L2	30°-7T-100w-610CL-P85-100L-TAB	G000010-a3-T7-B1-Rm2-P1-L2	45°-7T-100w-610CL-P85-100L-TAB
G000010-a1-T8-B1-Rm2-P1-L2	15°-8T-100w-610CL-P85-100L-TAB	G000010-a2-T8-B1-Rm2-P1-L2	30°-8T-100w-610CL-P85-100L-TAB	G000010-a3-T8-B1-Rm2-P1-L2	45°-8T-100w-610CL-P85-100L-TAB
$\alpha 60^\circ$		$\alpha 75^\circ$		$\alpha 90^\circ$	
CODE	DESCRIPTION	CODE	DESCRIPTION	CODE	DESCRIPTION
G000010-a4-T1-B1-Rm2-P0-L2	60°-1T-100w-610CL-100L-TAB	G000010-a5-T1-B1-Rm2-P0-L2	75°-1T-100w-610CL-100L-TAB	G000010-a6-T1-B1-Rm2-P0-L2	90°-1T-100w-610CL-100L-TAB
G000010-a4-T2-B1-Rm2-P1-L2	60°-2T-100w-610CL-P85-100L-TAB	G000010-a5-T2-B1-Rm2-P1-L2	75°-2T-100w-610CL-P85-100L-TAB	G000010-a6-T2-B1-Rm2-P1-L2	90°-2T-100w-610CL-P85-100L-TAB
G000010-a4-T3-B1-Rm2-P1-L2	60°-3T-100w-610CL-P85-100L-TAB	G000010-a5-T3-B1-Rm2-P1-L2	75°-3T-100w-610CL-P85-100L-TAB	G000010-a6-T3-B1-Rm2-P1-L2	90°-3T-100w-610CL-P85-100L-TAB
G000010-a4-T4-B1-Rm2-P1-L2	60°-4T-100w-610CL-P85-100L-TAB	G000010-a5-T4-B1-Rm2-P1-L2	75°-4T-100w-610CL-P85-100L-TAB	G000010-a6-T4-B1-Rm2-P1-L2	90°-4T-100w-610CL-P85-100L-TAB
G000010-a4-T5-B1-Rm2-P1-L2	60°-5T-100w-610CL-P85-100L-TAB	G000010-a5-T5-B1-Rm2-P1-L2	75°-5T-100w-610CL-P85-100L-TAB	G000010-a6-T5-B1-Rm2-P1-L2	90°-5T-100w-610CL-P85-100L-TAB
G000010-a4-T6-B1-Rm2-P1-L2	60°-6T-100w-610CL-P85-100L-TAB	G000010-a5-T6-B1-Rm2-P1-L2	75°-6T-100w-610CL-P85-100L-TAB	G000010-a6-T6-B1-Rm2-P1-L2	90°-6T-100w-610CL-P85-100L-TAB
G000010-a4-T7-B1-Rm2-P1-L2	60°-7T-100w-610CL-P85-100L-TAB	G000010-a5-T7-B1-Rm2-P1-L2	75°-7T-100w-610CL-P85-100L-TAB	G000010-a6-T7-B1-Rm2-P1-L2	90°-7T-100w-610CL-P85-100L-TAB
G000010-a4-T8-B1-Rm2-P1-L2	60°-8T-100w-610CL-P85-100L-TAB	G000010-a5-T8-B1-Rm2-P1-L2	75°-8T-100w-610CL-P85-100L-TAB	G000010-a6-T8-B1-Rm2-P1-L2	90°-8T-100w-610CL-P85-100L-TAB

NON STANDARD SIZES ARE AVAILABLE ON REQUEST.
 STANDARD ORDER QTY: PER SET



SINGLE TRACK - G000010-a6-T1-B1-Rm2-P0-L3

TRACKS	W
1	100
2	185
3	270
4	355
5	440
6	525
7	610
8	695



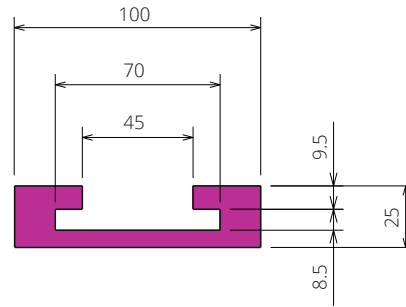
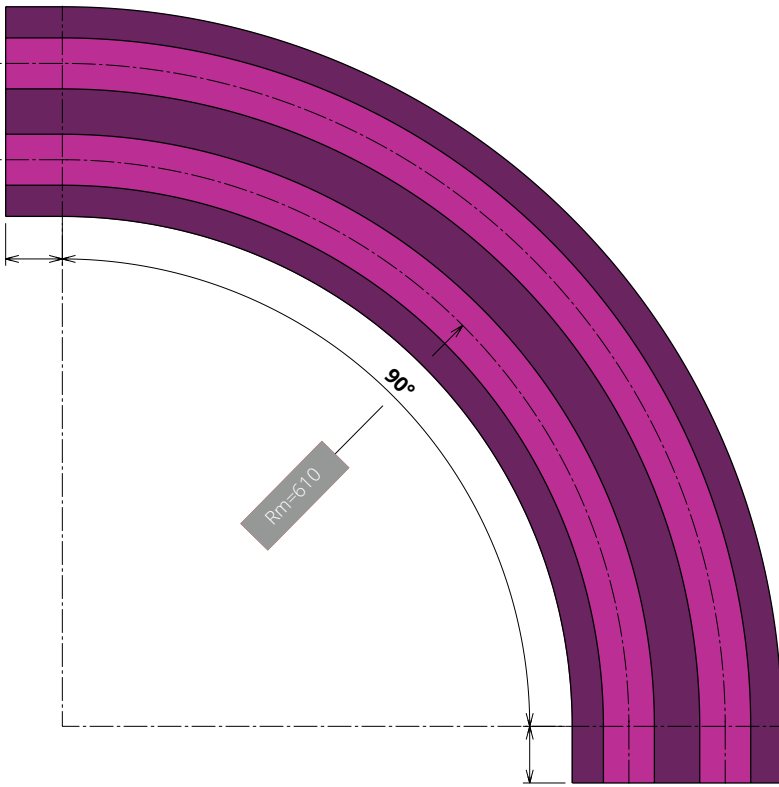
MULTI TRACK - G000010-a6-T2-B1-Rm2-P1-L3

Rm = 610mm - MULTI TRACK - 125mm LEAD IN / LEAD OUT

$\alpha 15^\circ$		$\alpha 30^\circ$		$\alpha 45^\circ$	
CODE	DESCRIPTION	CODE	DESCRIPTION	CODE	DESCRIPTION
G000010-a1-T1-B1-Rm2-P0-L3	15°-1T-100w-610CL-125L-TAB	G000010-a2-T1-B1-Rm2-P0-L3	30°-1T-100w-610CL-125L-TAB	G000010-a3-T1-B1-Rm2-P0-L3	45°-1T-100w-610CL-125L-TAB
G000010-a1-T2-B1-Rm2-P1-L3	15°-2T-100w-610CL-P85-125L-TAB	G000010-a2-T2-B1-Rm2-P1-L3	30°-2T-100w-610CL-P85-125L-TAB	G000010-a3-T2-B1-Rm2-P1-L3	45°-2T-100w-610CL-P85-125L-TAB
G000010-a1-T3-B1-Rm2-P1-L3	15°-3T-100w-610CL-P85-125L-TAB	G000010-a2-T3-B1-Rm2-P1-L3	30°-3T-100w-610CL-P85-125L-TAB	G000010-a3-T3-B1-Rm2-P1-L3	45°-3T-100w-610CL-P85-125L-TAB
G000010-a1-T4-B1-Rm2-P1-L3	15°-4T-100w-610CL-P85-125L-TAB	G000010-a2-T4-B1-Rm2-P1-L3	30°-4T-100w-610CL-P85-125L-TAB	G000010-a3-T4-B1-Rm2-P1-L3	45°-4T-100w-610CL-P85-125L-TAB
G000010-a1-T5-B1-Rm2-P1-L3	15°-5T-100w-610CL-P85-125L-TAB	G000010-a2-T5-B1-Rm2-P1-L3	30°-5T-100w-610CL-P85-125L-TAB	G000010-a3-T5-B1-Rm2-P1-L3	45°-5T-100w-610CL-P85-125L-TAB
G000010-a1-T6-B1-Rm2-P1-L3	15°-6T-100w-610CL-P85-125L-TAB	G000010-a2-T6-B1-Rm2-P1-L3	30°-6T-100w-610CL-P85-125L-TAB	G000010-a3-T6-B1-Rm2-P1-L3	45°-6T-100w-610CL-P85-125L-TAB
G000010-a1-T7-B1-Rm2-P1-L3	15°-7T-100w-610CL-P85-125L-TAB	G000010-a2-T7-B1-Rm2-P1-L3	30°-7T-100w-610CL-P85-125L-TAB	G000010-a3-T7-B1-Rm2-P1-L3	45°-7T-100w-610CL-P85-125L-TAB
G000010-a1-T8-B1-Rm2-P1-L3	15°-8T-100w-610CL-P85-125L-TAB	G000010-a2-T8-B1-Rm2-P1-L3	30°-8T-100w-610CL-P85-125L-TAB	G000010-a3-T8-B1-Rm2-P1-L3	45°-8T-100w-610CL-P85-125L-TAB
$\alpha 60^\circ$		$\alpha 75^\circ$		$\alpha 90^\circ$	
CODE	DESCRIPTION	CODE	DESCRIPTION	CODE	DESCRIPTION
G000010-a4-T1-B1-Rm2-P0-L3	60°-1T-100w-610CL-125L-TAB	G000010-a5-T1-B1-Rm2-P0-L3	75°-1T-100w-610CL-125L-TAB	G000010-a6-T1-B1-Rm2-P0-L3	90°-1T-100w-610CL-125L-TAB
G000010-a4-T2-B1-Rm2-P1-L3	60°-2T-100w-610CL-P85-125L-TAB	G000010-a5-T2-B1-Rm2-P1-L3	75°-2T-100w-610CL-P85-125L-TAB	G000010-a6-T2-B1-Rm2-P1-L3	90°-2T-100w-610CL-P85-125L-TAB
G000010-a4-T3-B1-Rm2-P1-L3	60°-3T-100w-610CL-P85-125L-TAB	G000010-a5-T3-B1-Rm2-P1-L3	75°-3T-100w-610CL-P85-125L-TAB	G000010-a6-T3-B1-Rm2-P1-L3	90°-3T-100w-610CL-P85-125L-TAB
G000010-a4-T4-B1-Rm2-P1-L3	60°-4T-100w-610CL-P85-125L-TAB	G000010-a5-T4-B1-Rm2-P1-L3	75°-4T-100w-610CL-P85-125L-TAB	G000010-a6-T4-B1-Rm2-P1-L3	90°-4T-100w-610CL-P85-125L-TAB
G000010-a4-T5-B1-Rm2-P1-L3	60°-5T-100w-610CL-P85-125L-TAB	G000010-a5-T5-B1-Rm2-P1-L3	75°-5T-100w-610CL-P85-125L-TAB	G000010-a6-T5-B1-Rm2-P1-L3	90°-5T-100w-610CL-P85-125L-TAB
G000010-a4-T6-B1-Rm2-P1-L3	60°-6T-100w-610CL-P85-125L-TAB	G000010-a5-T6-B1-Rm2-P1-L3	75°-6T-100w-610CL-P85-125L-TAB	G000010-a6-T6-B1-Rm2-P1-L3	90°-6T-100w-610CL-P85-125L-TAB
G000010-a4-T7-B1-Rm2-P1-L3	60°-7T-100w-610CL-P85-125L-TAB	G000010-a5-T7-B1-Rm2-P1-L3	75°-7T-100w-610CL-P85-125L-TAB	G000010-a6-T7-B1-Rm2-P1-L3	90°-7T-100w-610CL-P85-125L-TAB
G000010-a4-T8-B1-Rm2-P1-L3	60°-8T-100w-610CL-P85-125L-TAB	G000010-a5-T8-B1-Rm2-P1-L3	75°-8T-100w-610CL-P85-125L-TAB	G000010-a6-T8-B1-Rm2-P1-L3	90°-8T-100w-610CL-P85-125L-TAB

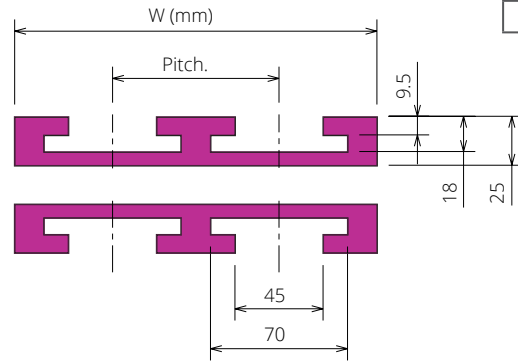
NON STANDARD SIZES ARE AVAILABLE ON REQUEST.
 STANDARD ORDER QTY: PER SET





SINGLE TRACK - G000010-a6-T1-B1-Rm2-P0-L0

TRACKS	W
1	100
2	185
3	270
4	355
5	440
6	525
7	610
8	695



MULTI TRACK - G000010-a6-T2-B1-Rm2-P1-L0

Rm = 610mm - MULTI TRACK - NO LEAD IN / LEAD OUT

α 15°		α 30°		α 45°	
CODE	DESCRIPTION	CODE	DESCRIPTION	CODE	DESCRIPTION
G000010-a1-T1-B1-Rm2-P0-L0	15°-1T-100w-610CL-0L-TAB	G000010-a2-T1-B1-Rm2-P0-L0	30°-1T-100w-610CL-0L-TAB	G000010-a3-T1-B1-Rm2-P0-L0	45°-1T-100w-610CL-0L-TAB
G000010-a1-T2-B1-Rm2-P1-L0	15°-2T-100w-610CL-P85-0L-TAB	G000010-a2-T2-B1-Rm2-P1-L0	30°-2T-100w-610CL-P85-0L-TAB	G000010-a3-T2-B1-Rm2-P1-L0	45°-2T-100w-610CL-P85-0L-TAB
G000010-a1-T3-B1-Rm2-P1-L0	15°-3T-100w-610CL-P85-0L-TAB	G000010-a2-T3-B1-Rm2-P1-L0	30°-3T-100w-610CL-P85-0L-TAB	G000010-a3-T3-B1-Rm2-P1-L0	45°-3T-100w-610CL-P85-0L-TAB
G000010-a1-T4-B1-Rm2-P1-L0	15°-4T-100w-610CL-P85-0L-TAB	G000010-a2-T4-B1-Rm2-P1-L0	30°-4T-100w-610CL-P85-0L-TAB	G000010-a3-T4-B1-Rm2-P1-L0	45°-4T-100w-610CL-P85-0L-TAB
G000010-a1-T5-B1-Rm2-P1-L0	15°-5T-100w-610CL-P85-0L-TAB	G000010-a2-T5-B1-Rm2-P1-L0	30°-5T-100w-610CL-P85-0L-TAB	G000010-a3-T5-B1-Rm2-P1-L0	45°-5T-100w-610CL-P85-0L-TAB
G000010-a1-T6-B1-Rm2-P1-L0	15°-6T-100w-610CL-P85-0L-TAB	G000010-a2-T6-B1-Rm2-P1-L0	30°-6T-100w-610CL-P85-0L-TAB	G000010-a3-T6-B1-Rm2-P1-L0	45°-6T-100w-610CL-P85-0L-TAB
G000010-a1-T7-B1-Rm2-P1-L0	15°-7T-100w-610CL-P85-0L-TAB	G000010-a2-T7-B1-Rm2-P1-L0	30°-7T-100w-610CL-P85-0L-TAB	G000010-a3-T7-B1-Rm2-P1-L0	45°-7T-100w-610CL-P85-0L-TAB
G000010-a1-T8-B1-Rm2-P1-L0	15°-8T-100w-610CL-P85-0L-TAB	G000010-a2-T8-B1-Rm2-P1-L0	30°-8T-100w-610CL-P85-0L-TAB	G000010-a3-T8-B1-Rm2-P1-L0	45°-8T-100w-610CL-P85-0L-TAB
α 60°		α 75°		α 90°	
CODE	DESCRIPTION	CODE	DESCRIPTION	CODE	DESCRIPTION
G000010-a4-T1-B1-Rm2-P0-L0	60°-1T-100w-610CL-0L-TAB	G000010-a5-T1-B1-Rm2-P0-L0	75°-1T-100w-610CL-0L-TAB	G000010-a6-T1-B1-Rm2-P0-L0	90°-1T-100w-610CL-0L-TAB
G000010-a4-T2-B1-Rm2-P1-L0	60°-2T-100w-610CL-P85-0L-TAB	G000010-a5-T2-B1-Rm2-P1-L0	75°-2T-100w-610CL-P85-0L-TAB	G000010-a6-T2-B1-Rm2-P1-L0	90°-2T-100w-610CL-P85-0L-TAB
G000010-a4-T3-B1-Rm2-P1-L0	60°-3T-100w-610CL-P85-0L-TAB	G000010-a5-T3-B1-Rm2-P1-L0	75°-3T-100w-610CL-P85-0L-TAB	G000010-a6-T3-B1-Rm2-P1-L0	90°-3T-100w-610CL-P85-0L-TAB
G000010-a4-T4-B1-Rm2-P1-L0	60°-4T-100w-610CL-P85-0L-TAB	G000010-a5-T4-B1-Rm2-P1-L0	75°-4T-100w-610CL-P85-0L-TAB	G000010-a6-T4-B1-Rm2-P1-L0	90°-4T-100w-610CL-P85-0L-TAB
G000010-a4-T5-B1-Rm2-P1-L0	60°-5T-100w-610CL-P85-0L-TAB	G000010-a5-T5-B1-Rm2-P1-L0	75°-5T-100w-610CL-P85-0L-TAB	G000010-a6-T5-B1-Rm2-P1-L0	90°-5T-100w-610CL-P85-0L-TAB
G000010-a4-T6-B1-Rm2-P1-L0	60°-6T-100w-610CL-P85-0L-TAB	G000010-a5-T6-B1-Rm2-P1-L0	75°-6T-100w-610CL-P85-0L-TAB	G000010-a6-T6-B1-Rm2-P1-L0	90°-6T-100w-610CL-P85-0L-TAB
G000010-a4-T7-B1-Rm2-P1-L0	60°-7T-100w-610CL-P85-0L-TAB	G000010-a5-T7-B1-Rm2-P1-L0	75°-7T-100w-610CL-P85-0L-TAB	G000010-a6-T7-B1-Rm2-P1-L0	90°-7T-100w-610CL-P85-0L-TAB
G000010-a4-T8-B1-Rm2-P1-L0	60°-8T-100w-610CL-P85-0L-TAB	G000010-a5-T8-B1-Rm2-P1-L0	75°-8T-100w-610CL-P85-0L-TAB	G000010-a6-T8-B1-Rm2-P1-L0	90°-8T-100w-610CL-P85-0L-TAB

NON STANDARD SIZES ARE AVAILABLE ON REQUEST.
 STANDARD ORDER QTY: PER SET

