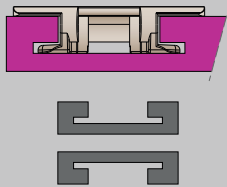


G000012

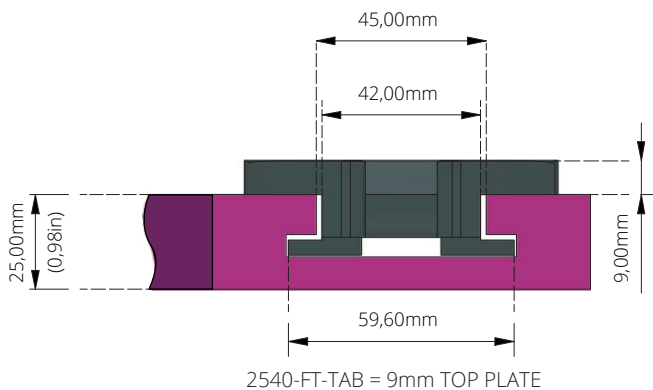
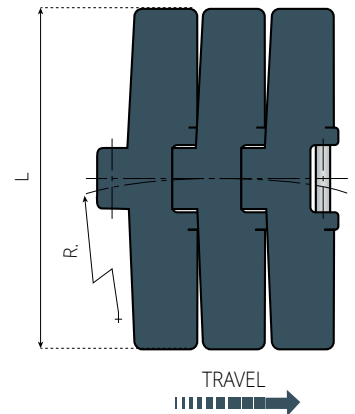
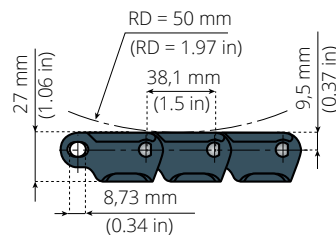
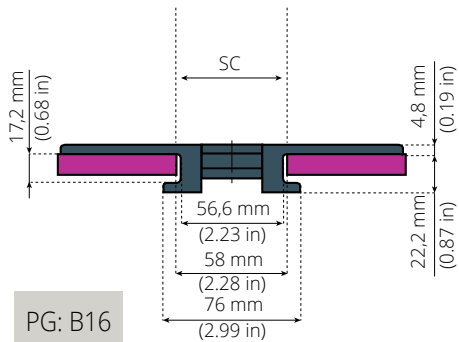
K750 CORNER TRACKS / CURVES / BENDS TAB



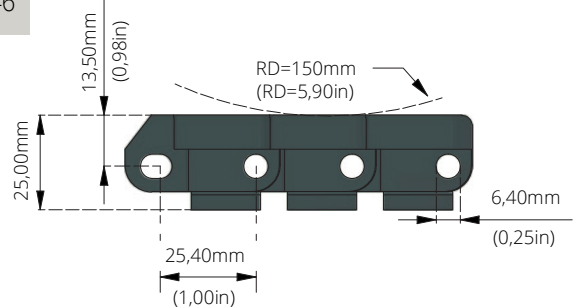
TAB

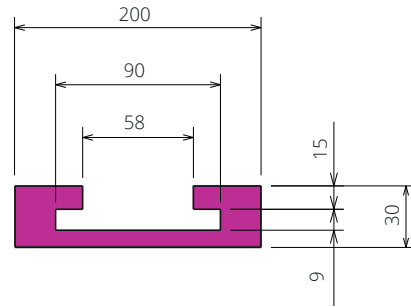
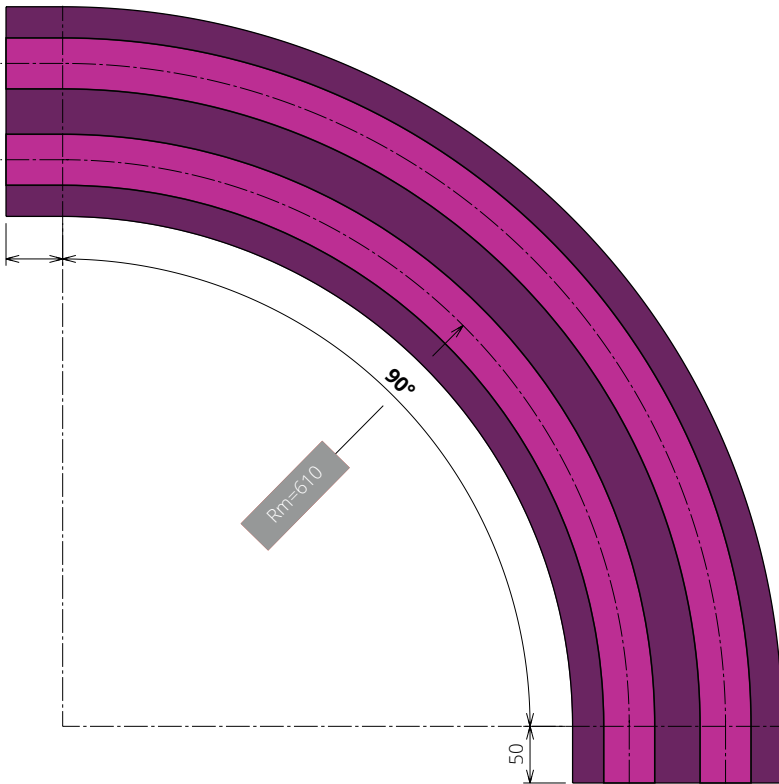
TAB type corner tracks are a more economical solution compared to magnetic curves.

In those applications where cleaning and product support are less important, they can perfectly be used.



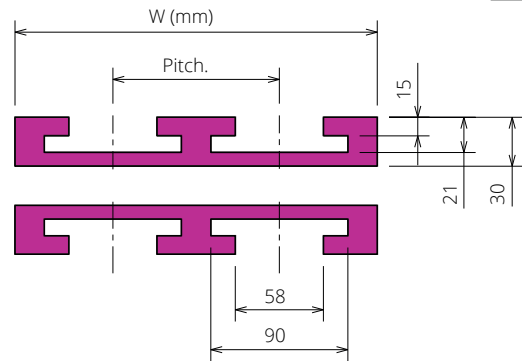
PG: E46





SINGLE TRACK - G000012-a6-T1-B5-Rm2-P0-L1

TRACKS	W
1	200
2	395
3	590
4	785

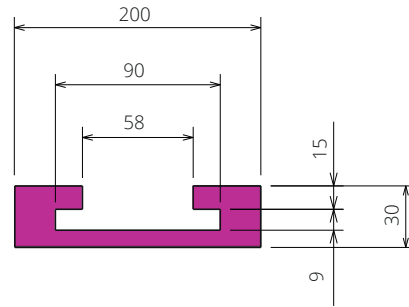
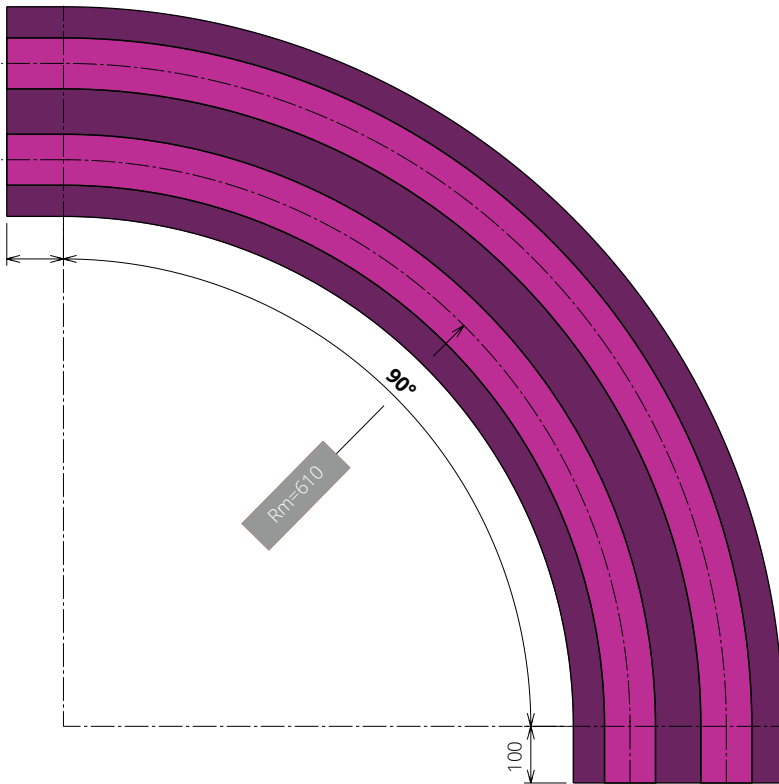


MULTI TRACK - G000012-a6-T2-B5-Rm2-P6-L1

Rm = 610mm - MULTI TRACK - 50mm LEAD IN / LEAD OUT

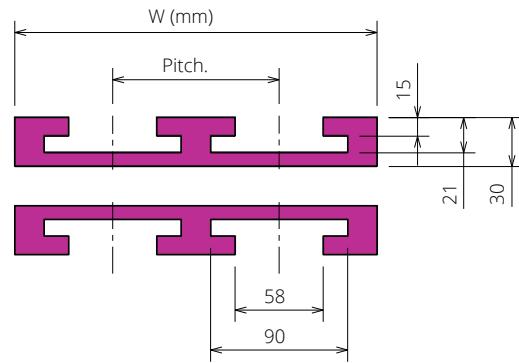
$\alpha 15^\circ$		$\alpha 30^\circ$		$\alpha 45^\circ$	
CODE	DESCRIPTION	CODE	DESCRIPTION	CODE	DESCRIPTION
G000012-a1-T1-B5-Rm2-P0-L1	15°-1T-200w-610CL-50L-TAB	G000012-a2-T1-B5-Rm2-P0-L1	30°-1T-200w-610CL-50L-TAB	G000012-a3-T1-B5-Rm2-P0-L1	45°-1T-200w-610CL-50L-TAB
G000012-a1-T2-B5-Rm2-P6-L1	15°-2T-200w-610CL-P195-50L-TAB	G000012-a2-T2-B5-Rm2-P6-L1	30°-2T-200w-610CL-P195-50L-TAB	G000012-a3-T2-B5-Rm2-P6-L1	45°-2T-200w-610CL-P195-50L-TAB
G000012-a1-T3-B5-Rm2-P6-L1	15°-3T-200w-610CL-P195-50L-TAB	G000012-a2-T3-B5-Rm2-P6-L1	30°-3T-200w-610CL-P195-50L-TAB	G000012-a3-T3-B5-Rm2-P6-L1	45°-3T-200w-610CL-P195-50L-TAB
G000012-a1-T4-B5-Rm2-P6-L1	15°-4T-200w-610CL-P195-50L-TAB	G000012-a2-T4-B5-Rm2-P6-L1	30°-4T-200w-610CL-P195-50L-TAB	G000012-a3-T4-B5-Rm2-P6-L1	45°-4T-200w-610CL-P195-50L-TAB
$\alpha 60^\circ$		$\alpha 75^\circ$		$\alpha 90^\circ$	
CODE	DESCRIPTION	CODE	DESCRIPTION	CODE	DESCRIPTION
G000012-a4-T1-B5-Rm2-P0-L1	60°-1T-200w-610CL-50L-TAB	G000012-a5-T1-B5-Rm2-P0-L1	75°-1T-200w-610CL-50L-TAB	G000012-a6-T1-B5-Rm2-P0-L1	90°-1T-200w-610CL-50L-TAB
G000012-a4-T2-B5-Rm2-P6-L1	60°-2T-200w-610CL-P195-50L-TAB	G000012-a5-T2-B5-Rm2-P6-L1	75°-2T-200w-610CL-P195-50L-TAB	G000012-a6-T2-B5-Rm2-P6-L1	90°-2T-200w-610CL-P195-50L-TAB
G000012-a4-T3-B5-Rm2-P6-L1	60°-3T-200w-610CL-P195-50L-TAB	G000012-a5-T3-B5-Rm2-P6-L1	75°-3T-200w-610CL-P195-50L-TAB	G000012-a6-T3-B5-Rm2-P6-L1	90°-3T-200w-610CL-P195-50L-TAB
G000012-a4-T4-B5-Rm2-P6-L1	60°-4T-200w-610CL-P195-50L-TAB	G000012-a5-T4-B5-Rm2-P6-L1	75°-4T-200w-610CL-P195-50L-TAB	G000012-a6-T4-B5-Rm2-P6-L1	90°-4T-200w-610CL-P195-50L-TAB

NON STANDARD SIZES ARE AVAILABLE ON REQUEST.
 STANDARD ORDER QTY: PER SET



SINGLE TRACK - G000012-a6-T1-B5-Rm2-P0-L2

TRACKS	W
1	200
2	395
3	590
4	785



MULTI TRACK - G000012-a6-T2-B5-Rm2-P6-L2

Rm = 610mm - MULTI TRACK - 100mm LEAD IN / LEAD OUT

$\alpha 15^\circ$		$\alpha 30^\circ$		$\alpha 45^\circ$	
CODE	DESCRIPTION	CODE	DESCRIPTION	CODE	DESCRIPTION
G000012-a1-T1-B5-Rm2-P0-L2	15°-1T-200w-610CL-100L-TAB	G000012-a2-T1-B5-Rm2-P0-L2	30°-1T-200w-610CL-100L-TAB	G000012-a3-T1-B5-Rm2-P0-L2	45°-1T-200w-610CL-100L-TAB
G000012-a1-T2-B5-Rm2-P6-L2	15°-2T-200w-610CL-P195-100L-TAB	G000012-a2-T2-B5-Rm2-P6-L2	30°-2T-200w-610CL-P195-100L-TAB	G000012-a3-T2-B5-Rm2-P6-L2	45°-2T-200w-610CL-P195-100L-TAB
G000012-a1-T3-B5-Rm2-P6-L2	15°-3T-200w-610CL-P195-100L-TAB	G000012-a2-T3-B5-Rm2-P6-L2	30°-3T-200w-610CL-P195-100L-TAB	G000012-a3-T3-B5-Rm2-P6-L2	45°-3T-200w-610CL-P195-100L-TAB
G000012-a1-T4-B5-Rm2-P6-L2	15°-4T-200w-610CL-P195-100L-TAB	G000012-a2-T4-B5-Rm2-P6-L2	30°-4T-200w-610CL-P195-100L-TAB	G000012-a3-T4-B5-Rm2-P6-L2	45°-4T-200w-610CL-P195-100L-TAB
$\alpha 60^\circ$		$\alpha 75^\circ$		$\alpha 90^\circ$	
CODE	DESCRIPTION	CODE	DESCRIPTION	CODE	DESCRIPTION
G000012-a4-T1-B5-Rm2-P0-L2	60°-1T-200w-610CL-100L-TAB	G000012-a5-T1-B5-Rm2-P0-L2	75°-1T-200w-610CL-100L-TAB	G000012-a6-T1-B5-Rm2-P0-L2	90°-1T-200w-610CL-100L-TAB
G000012-a4-T2-B5-Rm2-P6-L2	60°-2T-200w-610CL-P195-100L-TAB	G000012-a5-T2-B5-Rm2-P6-L2	75°-2T-200w-610CL-P195-100L-TAB	G000012-a6-T2-B5-Rm2-P6-L2	90°-2T-200w-610CL-P195-100L-TAB
G000012-a4-T3-B5-Rm2-P6-L2	60°-3T-200w-610CL-P195-100L-TAB	G000012-a5-T3-B5-Rm2-P6-L2	75°-3T-200w-610CL-P195-100L-TAB	G000012-a6-T3-B5-Rm2-P6-L2	90°-3T-200w-610CL-P195-100L-TAB
G000012-a4-T4-B5-Rm2-P6-L2	60°-4T-200w-610CL-P195-100L-TAB	G000012-a5-T4-B5-Rm2-P6-L2	75°-4T-200w-610CL-P195-100L-TAB	G000012-a6-T4-B5-Rm2-P6-L2	90°-4T-200w-610CL-P195-100L-TAB

NON STANDARD SIZES ARE AVAILABLE ON REQUEST.
 STANDARD ORDER QTY: PER SET



CHAINS/BELTS
 PG. B16 & PG. E46



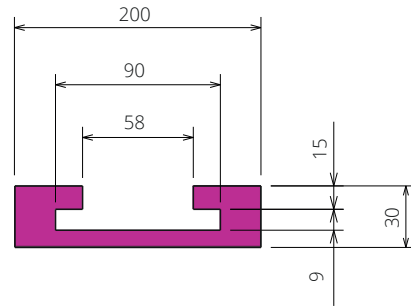
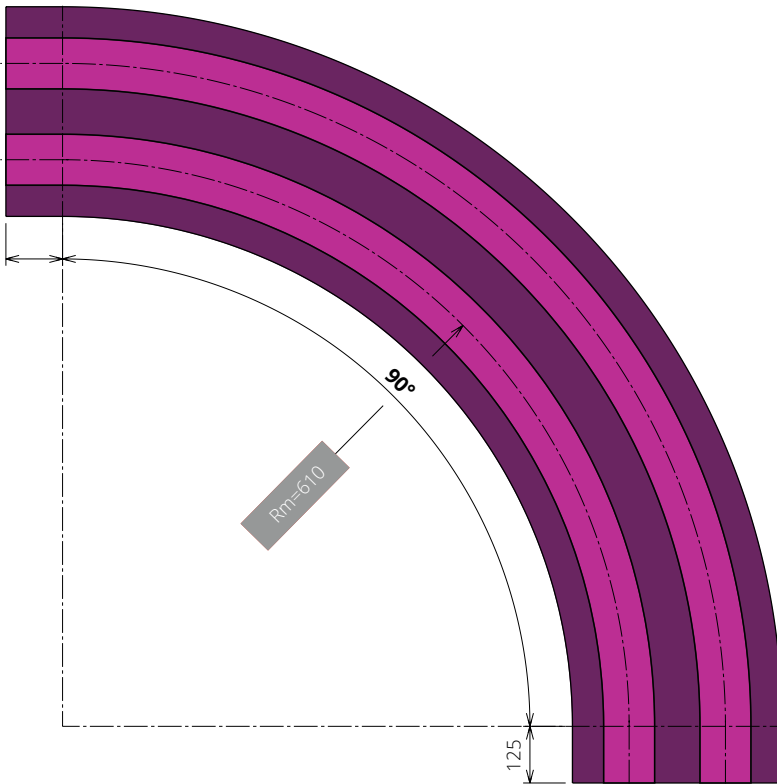
MATERIALS



TABLE OF
 CONTENTS

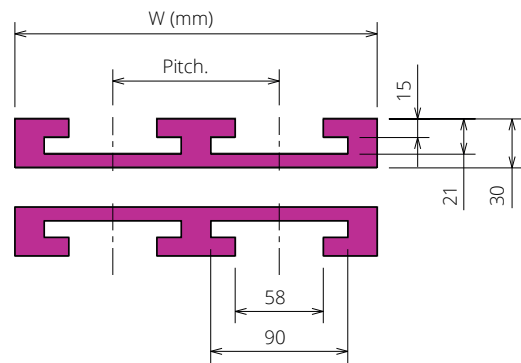


BACK TO CORNER TRACKS/
 CURVES/BENDS INDEX (G)



SINGLE TRACK - G000012-a6-T1-B5-Rm2-P0-L3

TRACKS	W
1	200
2	395
3	590
4	785

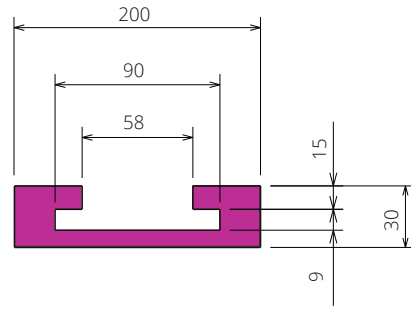
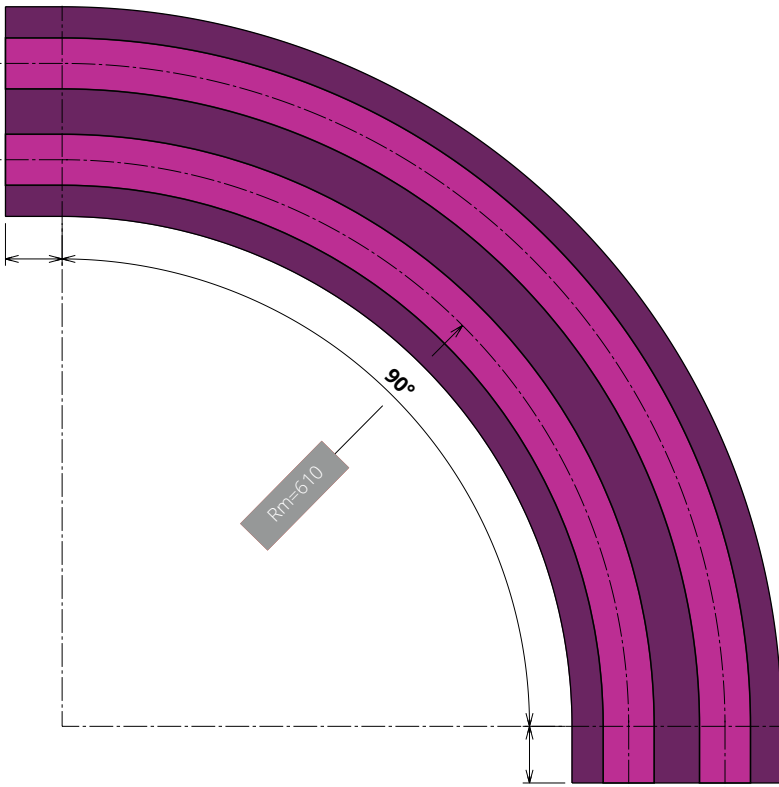


MULTI TRACK - G000012-a6-T2-B5-Rm2-P6-L3

Rm = 610mm - MULTI TRACK - 125mm LEAD IN / LEAD OUT

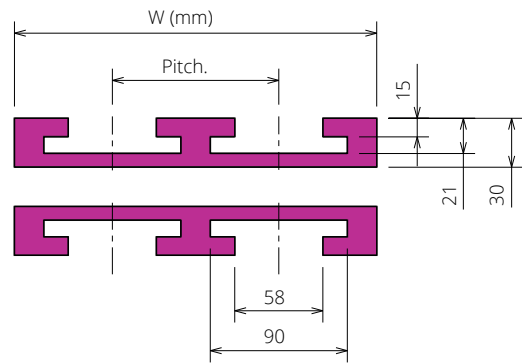
$\alpha 15^\circ$		$\alpha 30^\circ$		$\alpha 45^\circ$	
CODE	DESCRIPTION	CODE	DESCRIPTION	CODE	DESCRIPTION
G000012-a1-T1-B5-Rm2-P0-L3	15°-1T-200w-610CL-125L-TAB	G000012-a2-T1-B5-Rm2-P0-L3	30°-1T-200w-610CL-125L-TAB	G000012-a3-T1-B5-Rm2-P0-L3	45°-1T-200w-610CL-125L-TAB
G000012-a1-T2-B5-Rm2-P6-L3	15°-2T-200w-610CL-P195-125L-TAB	G000012-a2-T2-B5-Rm2-P6-L3	30°-2T-200w-610CL-P195-125L-TAB	G000012-a3-T2-B5-Rm2-P6-L3	45°-2T-200w-610CL-P195-125L-TAB
G000012-a1-T3-B5-Rm2-P6-L3	15°-3T-200w-610CL-P195-125L-TAB	G000012-a2-T3-B5-Rm2-P6-L3	30°-3T-200w-610CL-P195-125L-TAB	G000012-a3-T3-B5-Rm2-P6-L3	45°-3T-200w-610CL-P195-125L-TAB
G000012-a1-T4-B5-Rm2-P6-L3	15°-4T-200w-610CL-P195-125L-TAB	G000012-a2-T4-B5-Rm2-P6-L3	30°-4T-200w-610CL-P195-125L-TAB	G000012-a3-T4-B5-Rm2-P6-L3	45°-4T-200w-610CL-P195-125L-TAB
$\alpha 60^\circ$		$\alpha 75^\circ$		$\alpha 90^\circ$	
CODE	DESCRIPTION	CODE	DESCRIPTION	CODE	DESCRIPTION
G000012-a4-T1-B5-Rm2-P0-L3	60°-1T-200w-610CL-125L-TAB	G000012-a5-T1-B5-Rm2-P0-L3	75°-1T-200w-610CL-125L-TAB	G000012-a6-T1-B5-Rm2-P0-L3	90°-1T-200w-610CL-125L-TAB
G000012-a4-T2-B5-Rm2-P6-L3	60°-2T-200w-610CL-P195-125L-TAB	G000012-a5-T2-B5-Rm2-P6-L3	75°-2T-200w-610CL-P195-125L-TAB	G000012-a6-T2-B5-Rm2-P6-L3	90°-2T-200w-610CL-P195-125L-TAB
G000012-a4-T3-B5-Rm2-P6-L3	60°-3T-200w-610CL-P195-125L-TAB	G000012-a5-T3-B5-Rm2-P6-L3	75°-3T-200w-610CL-P195-125L-TAB	G000012-a6-T3-B5-Rm2-P6-L3	90°-3T-200w-610CL-P195-125L-TAB
G000012-a4-T4-B5-Rm2-P6-L3	60°-4T-200w-610CL-P195-125L-TAB	G000012-a5-T4-B5-Rm2-P6-L3	75°-4T-200w-610CL-P195-125L-TAB	G000012-a6-T4-B5-Rm2-P6-L3	90°-4T-200w-610CL-P195-125L-TAB

NON STANDARD SIZES ARE AVAILABLE ON REQUEST.
 STANDARD ORDER QTY: PER SET



SINGLE TRACK - G000012-a6-T1-B5-Rm2-P0-L0

TRACKS	W
1	200
2	395
3	590
4	785



MULTI TRACK - G000012-a6-T2-B5-Rm2-P6-L0

Rm = 610mm - MULTI TRACK - NO LEAD IN / LEAD OUT

α 15°		α 30°		α 45°	
CODE	DESCRIPTION	CODE	DESCRIPTION	CODE	DESCRIPTION
G000012-a1-T1-B5-Rm2-P0-L0	15°-1T-200w-610CL-0L-TAB	G000012-a2-T1-B5-Rm2-P0-L0	30°-1T-200w-610CL-0L-TAB	G000012-a3-T1-B5-Rm2-P0-L0	45°-1T-200w-610CL-0L-TAB
G000012-a1-T2-B5-Rm2-P6-L0	15°-2T-200w-610CL-P195-0L-TAB	G000012-a2-T2-B5-Rm2-P6-L0	30°-2T-200w-610CL-P195-0L-TAB	G000012-a3-T2-B5-Rm2-P6-L0	45°-2T-200w-610CL-P195-0L-TAB
G000012-a1-T3-B5-Rm2-P6-L0	15°-3T-200w-610CL-P195-0L-TAB	G000012-a2-T3-B5-Rm2-P6-L0	30°-3T-200w-610CL-P195-0L-TAB	G000012-a3-T3-B5-Rm2-P6-L0	45°-3T-200w-610CL-P195-0L-TAB
G000012-a1-T4-B5-Rm2-P6-L0	15°-4T-200w-610CL-P195-0L-TAB	G000012-a2-T4-B5-Rm2-P6-L0	30°-4T-200w-610CL-P195-0L-TAB	G000012-a3-T4-B5-Rm2-P6-L0	45°-4T-200w-610CL-P195-0L-TAB
α 60°		α 75°		α 90°	
CODE	DESCRIPTION	CODE	DESCRIPTION	CODE	DESCRIPTION
G000012-a4-T1-B5-Rm2-P0-L0	60°-1T-200w-610CL-0L-TAB	G000012-a5-T1-B5-Rm2-P0-L0	75°-1T-200w-610CL-0L-TAB	G000012-a6-T1-B5-Rm2-P0-L0	90°-1T-200w-610CL-0L-TAB
G000012-a4-T2-B5-Rm2-P6-L0	60°-2T-200w-610CL-P195-0L-TAB	G000012-a5-T2-B5-Rm2-P6-L0	75°-2T-200w-610CL-P195-0L-TAB	G000012-a6-T2-B5-Rm2-P6-L0	90°-2T-200w-610CL-P195-0L-TAB
G000012-a4-T3-B5-Rm2-P6-L0	60°-3T-200w-610CL-P195-0L-TAB	G000012-a5-T3-B5-Rm2-P6-L0	75°-3T-200w-610CL-P195-0L-TAB	G000012-a6-T3-B5-Rm2-P6-L0	90°-3T-200w-610CL-P195-0L-TAB
G000012-a4-T4-B5-Rm2-P6-L0	60°-4T-200w-610CL-P195-0L-TAB	G000012-a5-T4-B5-Rm2-P6-L0	75°-4T-200w-610CL-P195-0L-TAB	G000012-a6-T4-B5-Rm2-P6-L0	90°-4T-200w-610CL-P195-0L-TAB

NON STANDARD SIZES ARE AVAILABLE ON REQUEST.
 STANDARD ORDER QTY: PER SET



CHAINS/BELTS
 PG. B16 & PG. E46



MATERIALS



TABLE OF
 CONTENTS



BACK TO CORNER TRACKS/
 CURVES/BENDS INDEX (G)